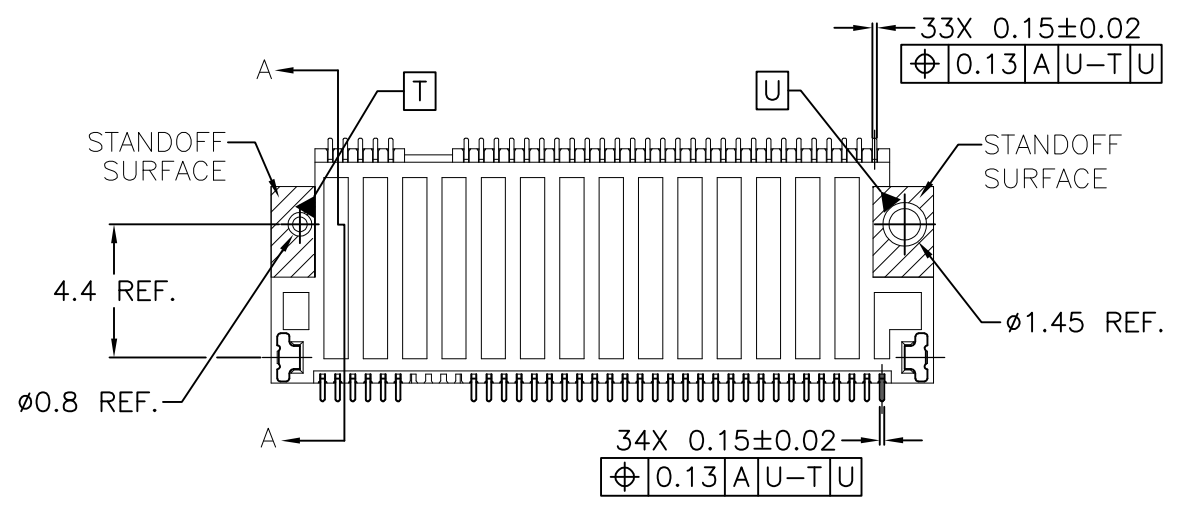
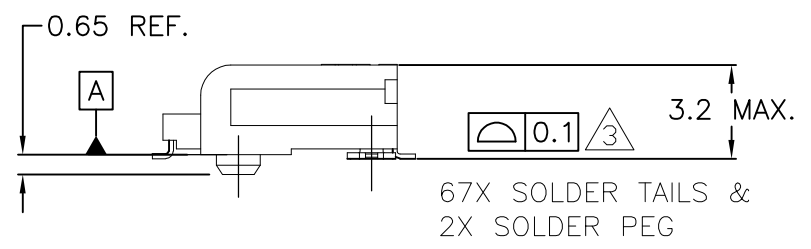
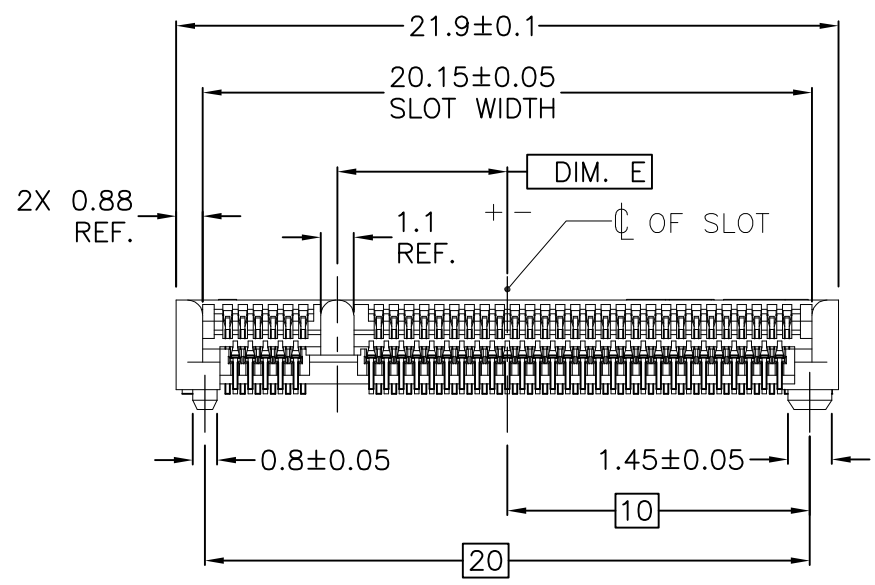
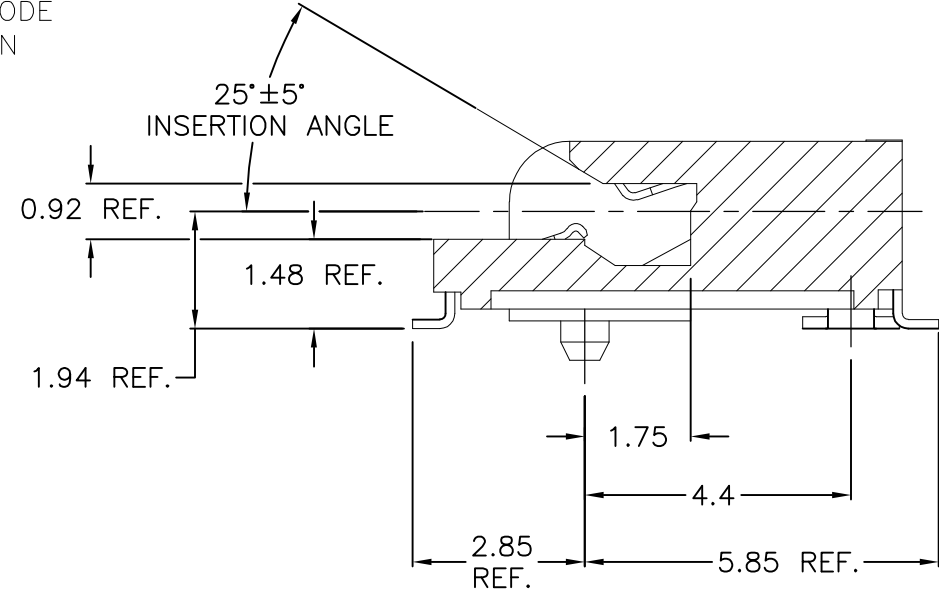
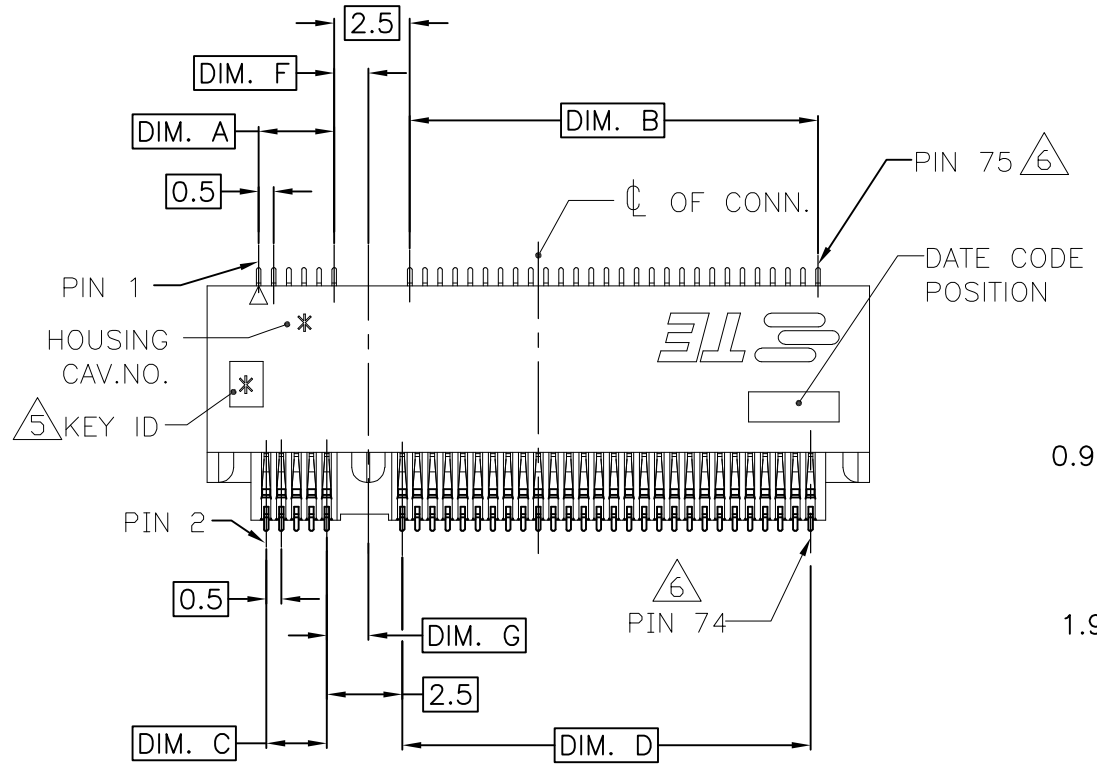


THIS DRAWING IS UNPUBLISHED. RELEASED FOR PUBLICATION
 © COPYRIGHT - By - ALL RIGHTS RESERVED.

LOC		DIST		REVISIONS			
P	LTR	DESCRIPTION	DATE	DWN	APVD		
	C	REVISED PER ECR-14-012058	11AUG2014	S.W	W.H		



- NOTES:
- MATERIAL:
 - HOUSING : HIGH TEMPERATURE THERMOPLASTIC UL94V-0, COLOR: BLACK.
 - CONTACT: COPPER ALLOY.
 - SOLDER PEG: STAINLESS STEEL.
 - FINISH:
 - CONTACT: UNDERCOAT NICKEL 50u" min. ALL OVER; MATING AREA: GOLD PLATING, THE THICKNESS SEE TABLE LIST; SOLDERABLE AREA: GOLDFLASH.
 - SOLDER PEG: UNDERCOAT: NICKEL 50u" min. ALL OVER SOLDERABLE AREA: MATTE TIN 100u" min.
 - COPLANARITY: 0.10mm MAX.(BEFORE SOLDERING).
 - ACCEPTED MODULE BASED ON INDUSTRY STD.
 - KEY ID, "*" IS A CAPITAL LETTER PER THE PART NO.
 - THE PIN NO. DEFINITIONS ARE ACCORDING TO PCB FOOTPRINT, THE ACTUAL PIN QUANTITY IS ONLY 67 POS. FOR KEY TAKING OUT 8 POS.
 - THE PRODUCT IS RoHS COMPLIANT, BR 900PPM MAX., CL 900PPM MAX. BR+CL 1500 PPM MAX.
 - MINUS MEANS ϕ OF KEY IS ON THE RIGHT SIDE OF CONN. ϕ IN PAGE 1.



THIS DRAWING IS A CONTROLLED DOCUMENT.		DWN SIMON WU 90CT2012	TE Connectivity		
DIMENSIONS: mm		CHK SIMON LI 90CT2012			
TOLERANCES UNLESS OTHERWISE SPECIFIED:		APVD COREL WANG 90CT2012	NAME		
0 PLC ± 0.30		PRODUCT SPEC		M.2(NGFF) MINI CARD MOUNTING TYPE	
1 PLC ± 0.30		APPLICATION SPEC		0.50mm PITCH 67 POS. 3.2mm HEIGHT	
2 PLC ± 0.20		114-115006		SIZE	CAGE CODE
3 PLC ± 0.10		0.51 G		DRAWING NO	RESTRICTED TO
4 PLC ANGLES ± - ± 3'		CUSTOMER DRAWING		A3 00779	C-2199119
MATERIAL -		FINISH -		SCALE 4:1	SHEET 1 OF 4
				REV C	

THIS DRAWING IS UNPUBLISHED. RELEASED FOR PUBLICATION
 © COPYRIGHT - By - ALL RIGHTS RESERVED.

LOC		DIST		REVISIONS			
P	LTR	DESCRIPTION		DATE	DWN	APVD	
-	-	-	-	SEE SHEET 1	-	-	

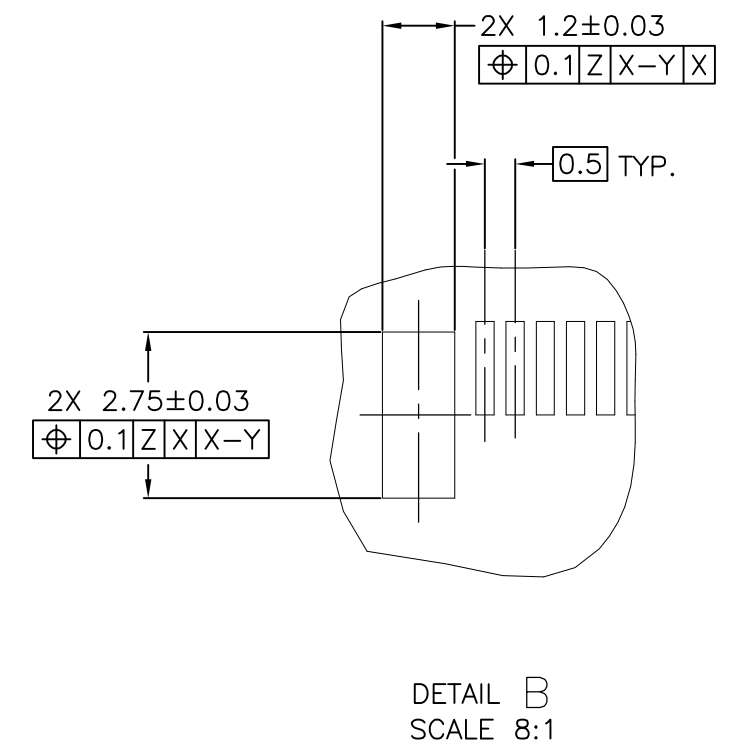
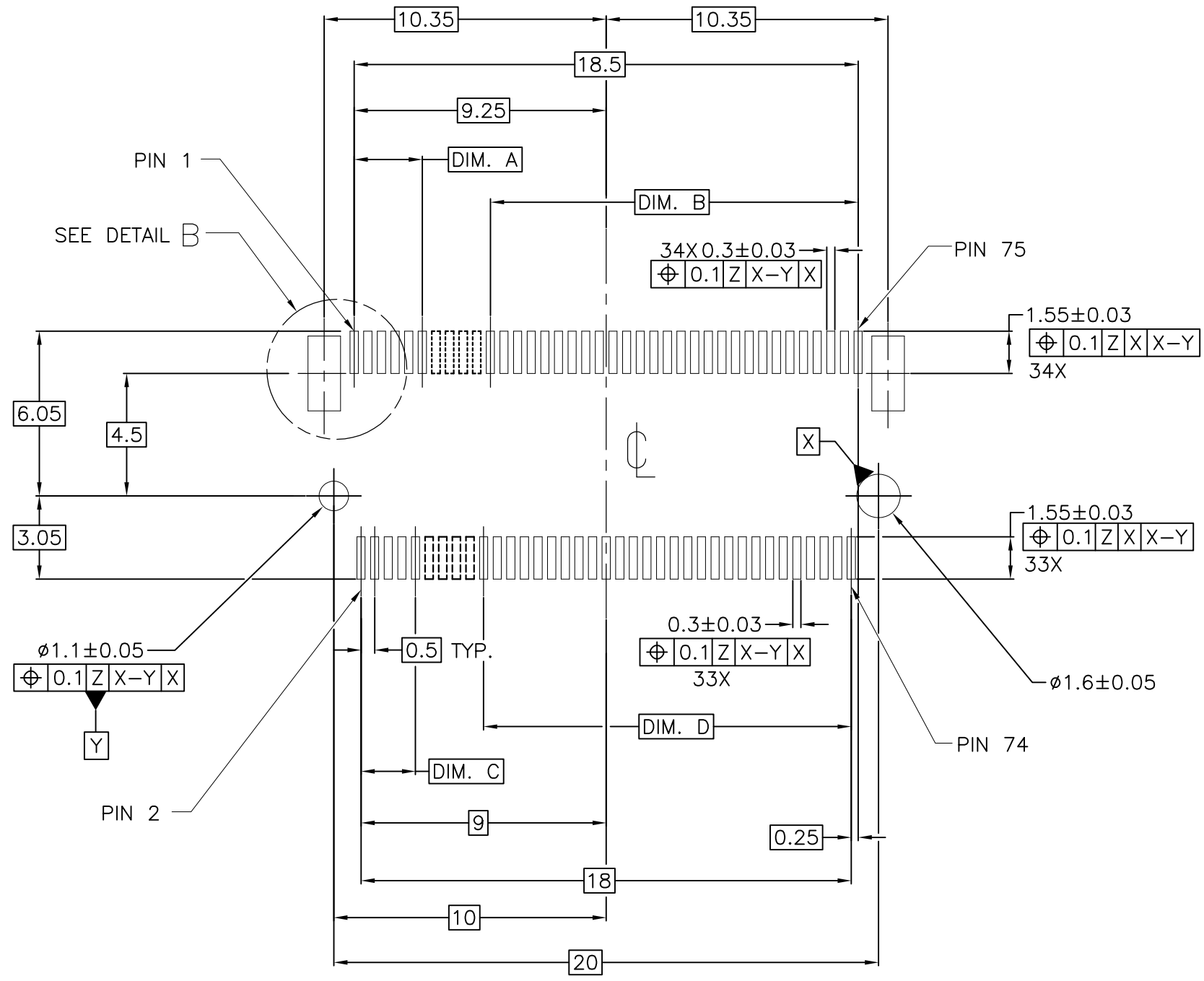


KEY ID.	PRODUCT SPEC.	GOLD SPEC.	DIM. G	DIM. F	DIM. E	DIM. D	DIM. C	DIM. B	DIM. A	PART NO.
M	108-115042	30u" MIN.	1.125	1.375	-6.125	1.5	14.0	2.0	14.0	1-2199119-6
		15u" MIN.								1-2199119-5
		10u" MIN.								1-2199119-4
	108-115049	GOLD FLASH								1-2199119-3
A	108-115042	10u" MIN.			6.625	14.5	1.0	14.5	1.5	1-2199119-2
E					2.625	10.5	5.0	10.5	5.5	1-2199119-1
B					5.625	13.5	2.0	13.5	2.5	1-2199119-0
A	108-115042	30u" MIN.	1.375	1.125	6.625	14.5	1.0	14.5	1.5	2199119-9
		15u" MIN.								2199119-8
		108-115049								GOLD FLASH
E	108-115042	30u" MIN.			2.625	10.5	5.0	10.5	5.5	2199119-6
B					5.625	13.5	2.0	13.5	2.5	2199119-5
E					2.625	10.5	5.0	10.5	5.5	2199119-4
B	108-115042	15u" MIN.			5.625	13.5	2.0	13.5	2.5	2199119-3
E					2.625	10.5	5.0	10.5	5.5	2199119-2
B					5.625	13.5	2.0	13.5	2.5	2199119-1
	108-115049	GOLD FLASH			5.625	13.5	2.0	13.5	2.5	2199119-1

THIS DRAWING IS A CONTROLLED DOCUMENT.		DWN SIMON WU 90CT2012	 TE Connectivity	
DIMENSIONS: mm		CHK SIMON LI 90CT2012		
		APVD COREL WANG 90CT2012	NAME M.2(NGFF) MINI CARD MOUNTING TYPE 0.50mm PITCH 67 POS. 3.2mm HEIGHT FOR DOUBLE SIDED MODULE	
TOLERANCES UNLESS OTHERWISE SPECIFIED:		PRODUCT SPEC	SIZE A3	
0 PLC ± 0.30		APPLICATION SPEC	CAGE CODE 00779	DRAWING NO C-2199119
1 PLC ± 0.30		WEIGHT	RESTRICTED TO	
2 PLC ± 0.20		CUSTOMER DRAWING	SCALE 4:1	
3 PLC ± 0.10			SHEET 2 OF 4	
4 PLC ± -		REV C		
ANGLES ± 3'				
MATERIAL				
FINISH				

THIS DRAWING IS UNPUBLISHED. RELEASED FOR PUBLICATION
 © COPYRIGHT - By - ALL RIGHTS RESERVED.

LOC	DIST	REVISIONS					
		P	LTR	DESCRIPTION	DATE	DWN	APVD
-	-	-	-	SEE SHEET 1	-	-	-



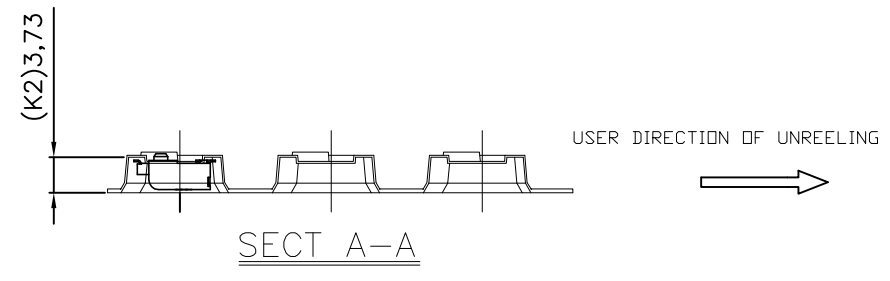
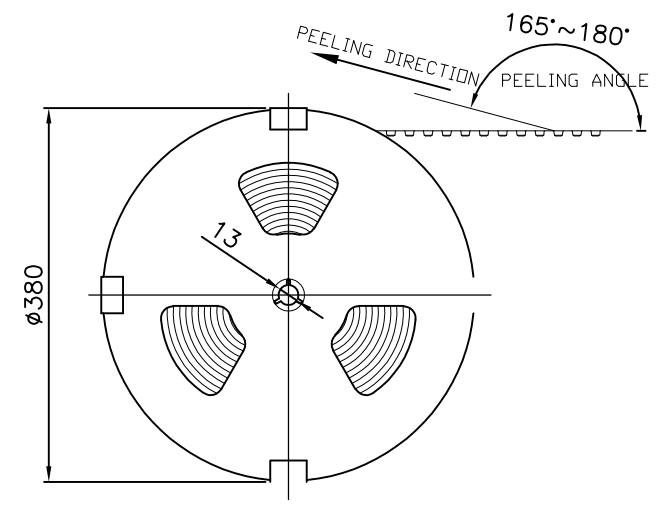
RECOMMENDED NGFF MINI CARD MOUNTING TYPE_SMT_PCB OUTLINE
 DATUM Z: PCB SOLDER SURFACE

M	1.5	14.0	2.0	14.0
E	10.5	5.0	10.5	5.5
B	13.5	2.0	13.5	2.5
A	14.5	1.0	14.5	1.5
KEY ID.	DIM. D	DIM. C	DIM. B	DIM. A

THIS DRAWING IS A CONTROLLED DOCUMENT.		DWN	SIMON WU	90CT2012	 TE Connectivity	NAME		M.2(NGFF) MINI CARD MOUNTING TYPE	
DIMENSIONS: mm		CHK	SIMON LI	90CT2012		PRODUCT SPEC		0.50mm PITCH 67 POS. 3.2mm HEIGHT	
TOLERANCES UNLESS OTHERWISE SPECIFIED:		APVD	COREL WANG	90CT2012		APPLICATION SPEC		FOR DOUBLE SIDED MODULE	
MATERIAL		FINISH		WEIGHT		RESTRICTED TO			
0 PLC ± 0.30 1 PLC ± 0.30 2 PLC ± 0.20 3 PLC ± 0.10 4 PLC ± - ANGLES ± 3°		CUSTOMER DRAWING		SIZE	A3	CAGE CODE	00779	DRAWING NO	C-2199119
				SCALE	5:1	SHEET	3 of 4	REV	C

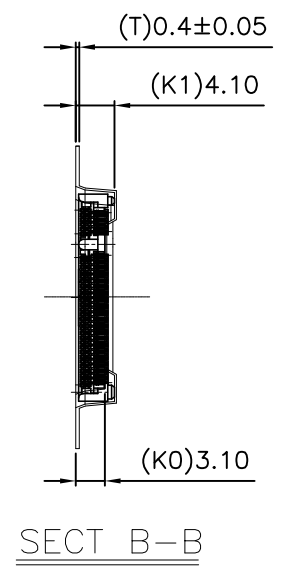
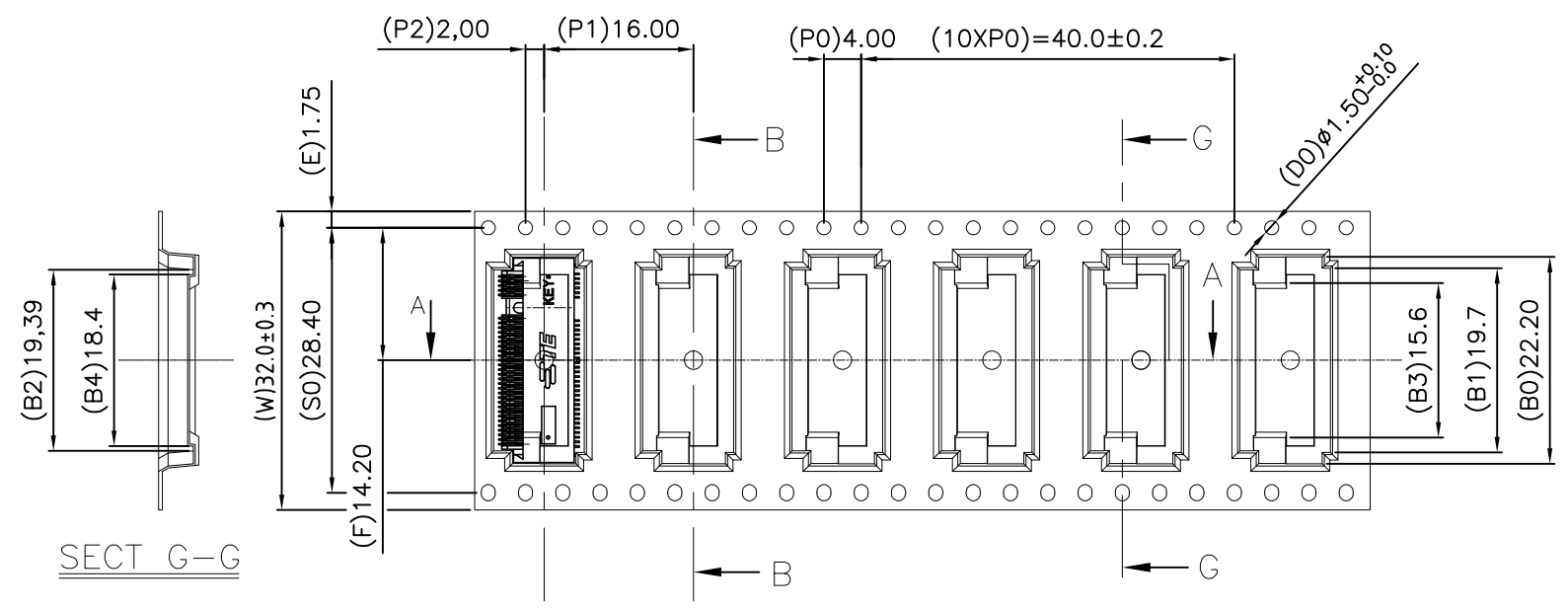
THIS DRAWING IS UNPUBLISHED. RELEASED FOR PUBLICATION
 © COPYRIGHT - By - ALL RIGHTS RESERVED.

LOC		DIST		REVISIONS			
P	LTR	DESCRIPTION	DATE	DWN	APVD		
-	-	SEE SHEET 1	-	-	-		



NOTES: (APPLIED TO CURRENT SHEET)

1. THE DIRECTION OF EACH CONNECTOR ON A EMBOSS IS REFERRED TO THIS DRAWING.
2. GENERAL TOLERANCE: ± 0.5 , $\pm 3^\circ$
3. PACKAGED IN EMBOSS TAPE AND PLASTIC RELL 1200PCS PER REEL.



SECT G-G

SECT B-B

THIS DRAWING IS A CONTROLLED DOCUMENT.		DWN SIMON_WU 90CT2012	TE Connectivity														
DIMENSIONS: mm		CHK SIMON_LI 90CT2012															
TOLERANCES UNLESS OTHERWISE SPECIFIED:		APVD COREL_WANG 90CT2012	NAME														
<table border="1"> <tr><td>0 PLC</td><td>± 0.30</td></tr> <tr><td>1 PLC</td><td>± 0.30</td></tr> <tr><td>2 PLC</td><td>± 0.20</td></tr> <tr><td>3 PLC</td><td>± 0.10</td></tr> <tr><td>4 PLC</td><td>$\pm -$</td></tr> <tr><td>ANGLES</td><td>$\pm 3^\circ$</td></tr> </table>		0 PLC	± 0.30	1 PLC	± 0.30	2 PLC	± 0.20	3 PLC	± 0.10	4 PLC	$\pm -$	ANGLES	$\pm 3^\circ$	PRODUCT SPEC	M.2(NGFF) MINI CARD MOUNTING TYPE 0.50mm PITCH 67 POS. 3.2mm HEIGHT FOR DOUBLE SIDED MODULE		
0 PLC	± 0.30																
1 PLC	± 0.30																
2 PLC	± 0.20																
3 PLC	± 0.10																
4 PLC	$\pm -$																
ANGLES	$\pm 3^\circ$																
MATERIAL		FINISH	APPLICATION SPEC	SIZE	CAGE CODE	DRAWING NO	RESTRICTED TO										
-		-	WEIGHT	A3	00779	C-2199119	-										
CUSTOMER DRAWING			SCALE	N/A	SHEET	4 OF 4	REV										
			C														

Данный компонент на территории Российской Федерации

Вы можете приобрести в компании MosChip.

Для оперативного оформления запроса Вам необходимо перейти по данной ссылке:

<http://moschip.ru/get-element>

Вы можете разместить у нас заказ для любого Вашего проекта, будь то серийное производство или разработка единичного прибора.

В нашем ассортименте представлены ведущие мировые производители активных и пассивных электронных компонентов.

Нашей специализацией является поставка электронной компонентной базы двойного назначения, продукции таких производителей как XILINX, Intel (ex.ALTERA), Vicor, Microchip, Texas Instruments, Analog Devices, Mini-Circuits, Amphenol, Glenair.

Сотрудничество с глобальными дистрибьюторами электронных компонентов, предоставляет возможность заказывать и получать с международных складов практически любой перечень компонентов в оптимальные для Вас сроки.

На всех этапах разработки и производства наши партнеры могут получить квалифицированную поддержку опытных инженеров.

Система менеджмента качества компании отвечает требованиям в соответствии с ГОСТ Р ИСО 9001, ГОСТ РВ 0015-002 и ЭС РД 009

Офис по работе с юридическими лицами:

105318, г.Москва, ул.Щербаковская д.3, офис 1107, 1118, ДЦ «Щербаковский»

Телефон: +7 495 668-12-70 (многоканальный)

Факс: +7 495 668-12-70 (доб.304)

E-mail: info@moschip.ru

Skype отдела продаж:

moschip.ru

moschip.ru_4

moschip.ru_6

moschip.ru_9