

10091836 - X0J - XXXLF

4-COLUMN DIFFERENTIAL SIGNAL

LEAD-FREE DESIGNATION ONLY WITH APPLICABLE PLATING CODES

LETTER	PERFORMANCE-BASED PLATING (SEE NOTE 2)	
	TARGET APPLICATION	LEAD FREE (LF)
B	TELCORDIA CO	NO
C	TELCORDIA UE	NO
D	TELCORDIA CO	YES
E	TELCORDIA UE	YES

NUMBER	PIN STYLE, HEIGHT
0	STANDARD GUIDE PIN MACHINED, 31.6mm
4	STANDARD GUIDE PIN MACHINED, 25.7mm

MODULE DESCRIPTION	LETTER DESIGNATION REPRESENTED IN DASH NUMBER										BASE MODULE
LEFT POLARIZING GUIDANCE MODULE (SEE SHEET 3)	J	A	B	C	D	E	F	G	H		
RIGHT POLARIZING GUIDANCE MODULE (SEE SHEET 4)	Y	P	Q	R	S	T	U	V	W		
OPEN MODULE (TWO WALL) (SEE SHEET 2)	0 (ZERO)										
LEFT WALL MODULE (SEE SHEET 5)	L										
RIGHT WALL MODULE (SEE SHEET 6)	M										
FOUR WALL MODULE (SEE SHEET 7)	1										

NUMBER	CONTACT MATING WIPE LENGTH		COMPLIANT PIN DRILL SIZE
	SIGNAL	WIDE GROUND	
1	2	4	Ø0.55 [0.0217"]
2	3	4	Ø0.55 [0.0217"]
3	2	4	Ø0.45 [0.0177"]
4	3	4	Ø0.45 [0.0177"]
5	2	3	Ø0.55 [0.0217"]
6	3	3	Ø0.55 [0.0217"]
7	2	3	Ø0.45 [0.0177"]
8	3	3	Ø0.45 [0.0177"]

	GROUNDED	UNGROUNDED
FINISHED	Ø2.35-2.55	Ø2.35-2.55
PAD	Ø5.50	N/A
PLATED	YES	NO
DRILL (mm/in)	2.58 / .1015	2.44 / .096

SCREW P/N	DESCRIPTION	BOARD THICKNESS
10091790-002LF	#2-56 X .375" PHILLIPS PANHEAD W/SQ CONICAL WASHER	1.60 - 5.00
10091790-003LF	#2-56 X .500" PHILLIPS PANHEAD W/SQ CONICAL WASHER	5.00 - 10.00

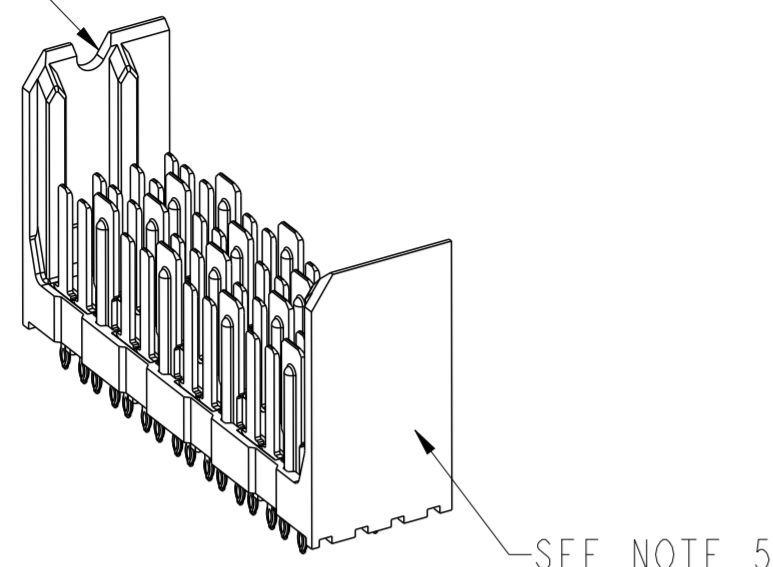
spec ref	SEE NOTES	dr	Jim Swain	2010/04/13	projection	MM	size	A2	scale	4:1
tolerance std	ASME Y14.5	eng	Michael Song	2016/06/06		←→	ecn no	ELX-DG-24191-1		
	TOLERANCES UNLESS OTHERWISE SPECIFIED	chr	Heaven Cen	2016/06/08			rel level	Released		
surface	linear	appr	Pai-Ming Zheng	2016/06/15	product family		cat. no.	Product - Customer Drw		
ASME Y14.5	angular									

Amphenol FCI

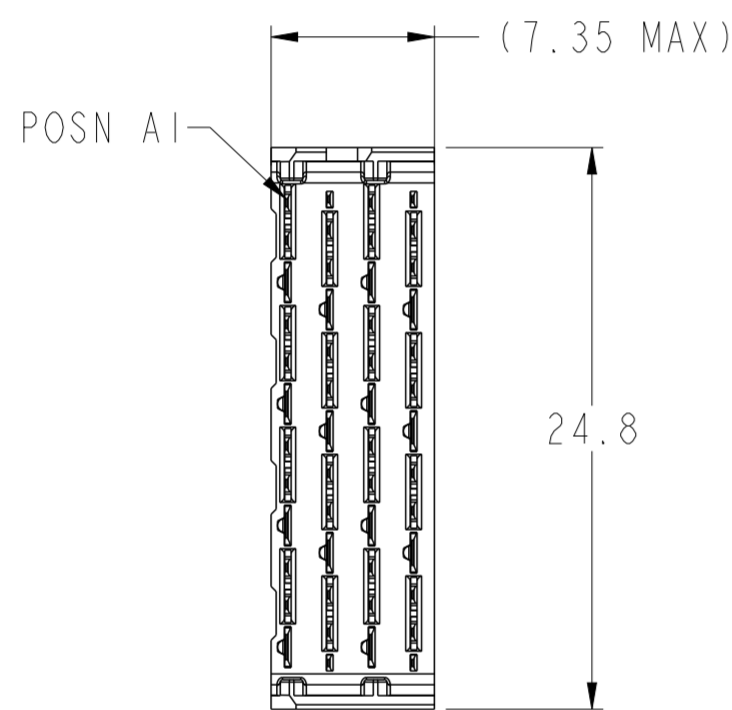
© 2016 AFCI

OPEN (2-WALL) MODULE

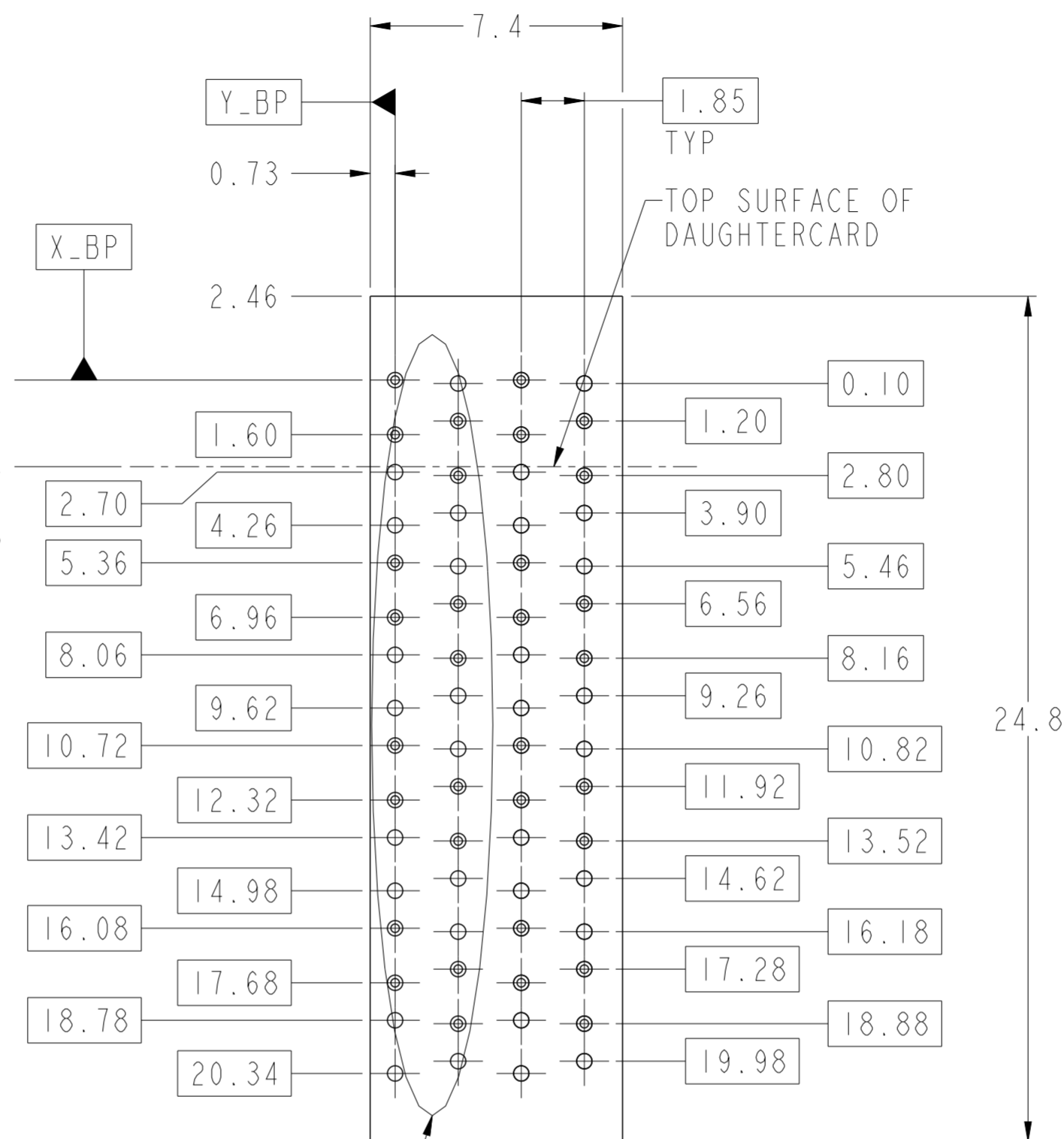
SEE NOTE 8



SEE NOTE 5



2.54
TO TOP SURFACE
OF DAUGHTERCARD

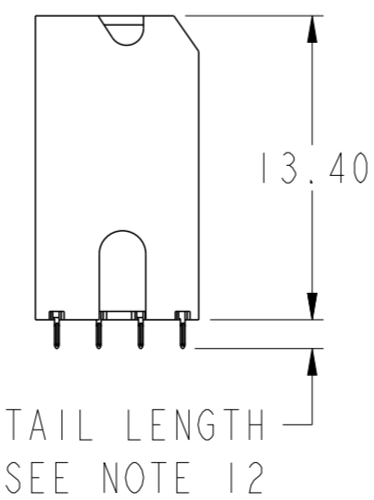
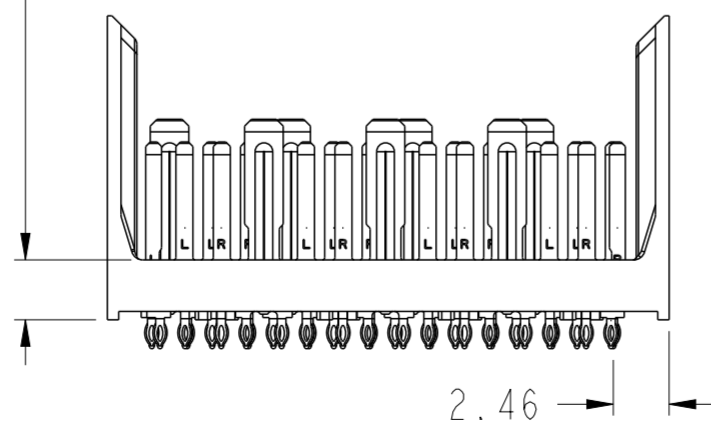
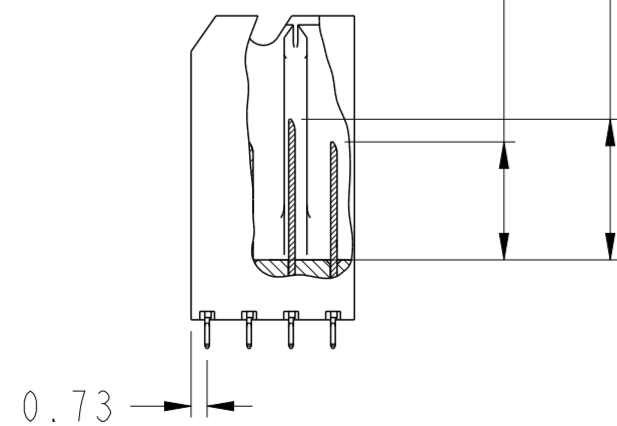


SEE DETAIL A
(SHEET 8)

PCB HOLE PATTERN
COMPONENT SIDE
SCALE 6:1

- 6.2 (4MM WIPE WIDE GROUNDS)
- 5.2 (3MM WIPE WIDE GROUNDS)
- 5.2 (3MM SMALL END GROUNDS)
- 5.2 (3MM WIPE SIGNALS)
- 4.2 (2MM WIPE SIGNALS)
- SEE P/N TREE

2.64±0.10 FROM STANDOFF
SURFACE TO MATING SURFACE



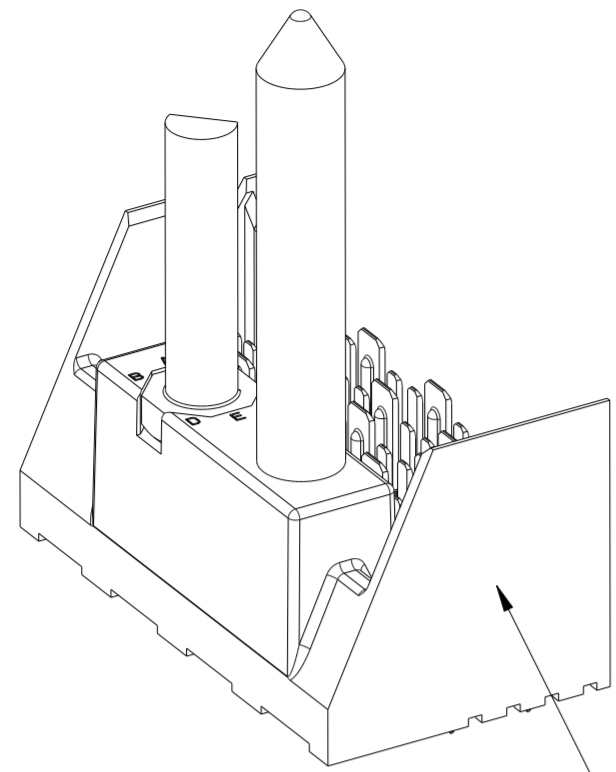
spec ref	SEE NOTES	dr	Jim Swain	2010/04/13	projection	MM	size	A2	scale	4:1	
tolerance std	TOLERANCES UNLESS OTHERWISE SPECIFIED	eng	Michael Song	2016/06/06			ecn no	ELX-DG-24191-1	rel level	Released	
ASME Y14.5		chr	Heaven Cen	2016/06/08							product family
surface	linear	0.X	±0.2		MODULE ASSEMBLY VERTICAL HEADER, 4-COLUMN, 4-PAIR	drg no 10091836	rev G				
		0.XX	±0.10					cat. no.	-	Product - Customer Drw	sheet 2 of 8
ASME Y14.5	angular	0°	±°								

PDS: Rev :G

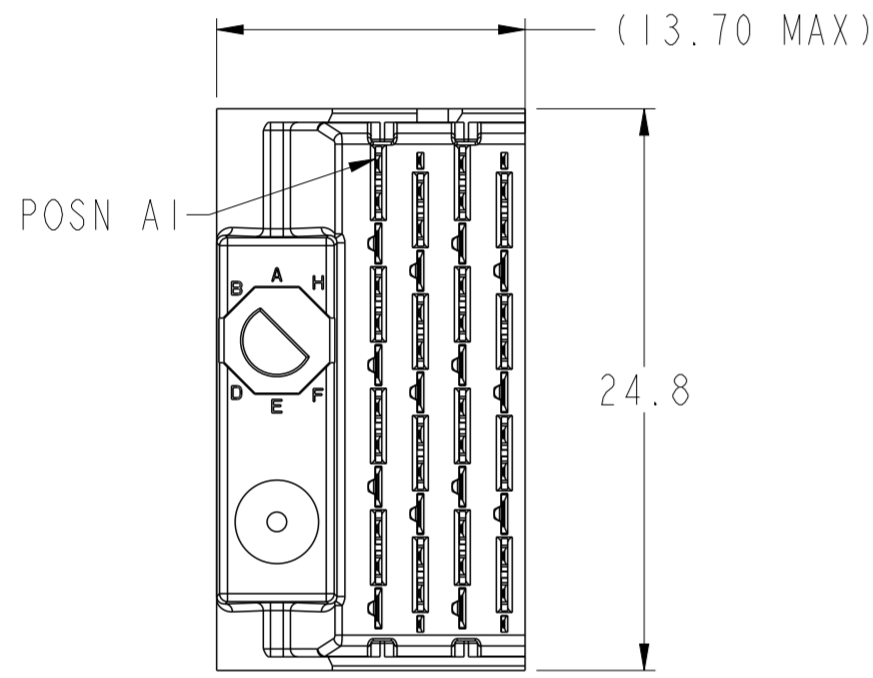
STATUS:Released

Printed: Jun 15, 2016

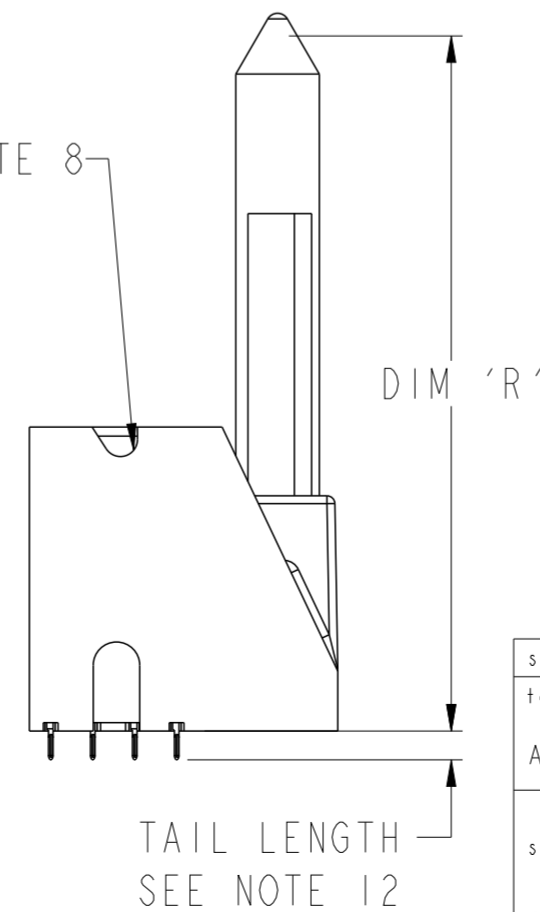
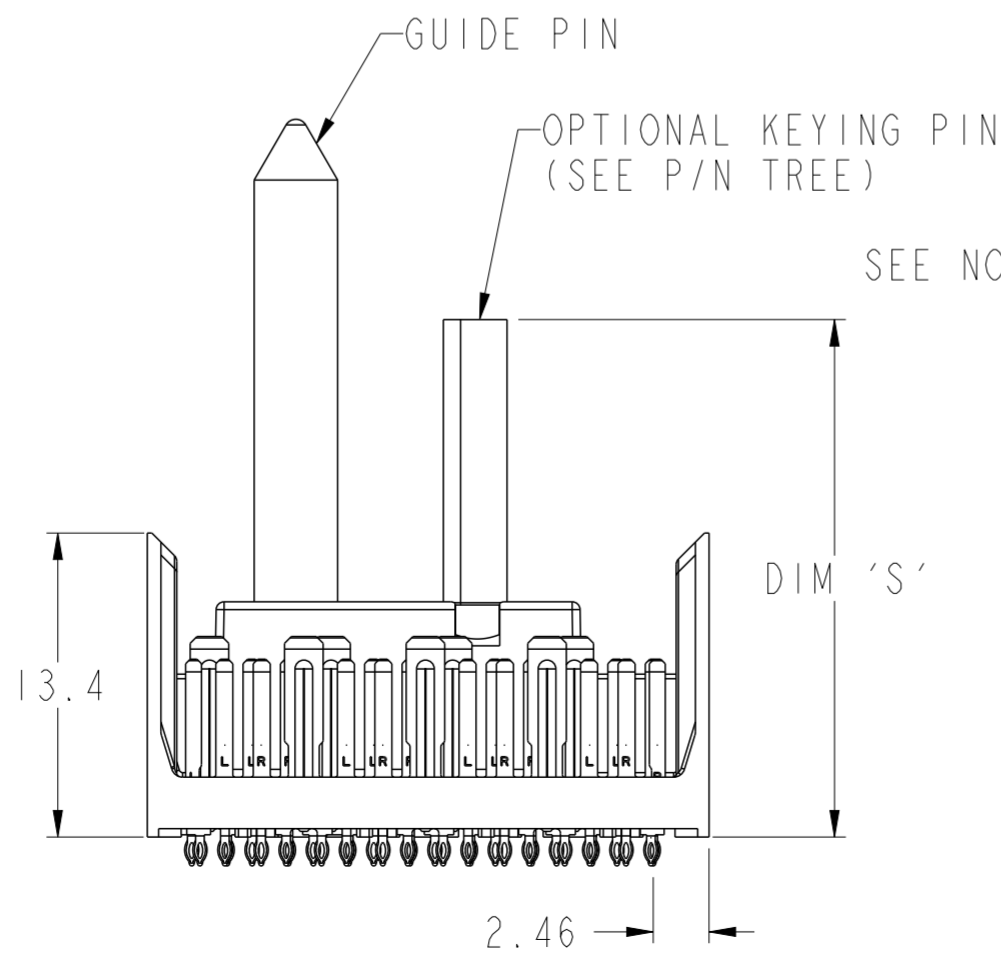
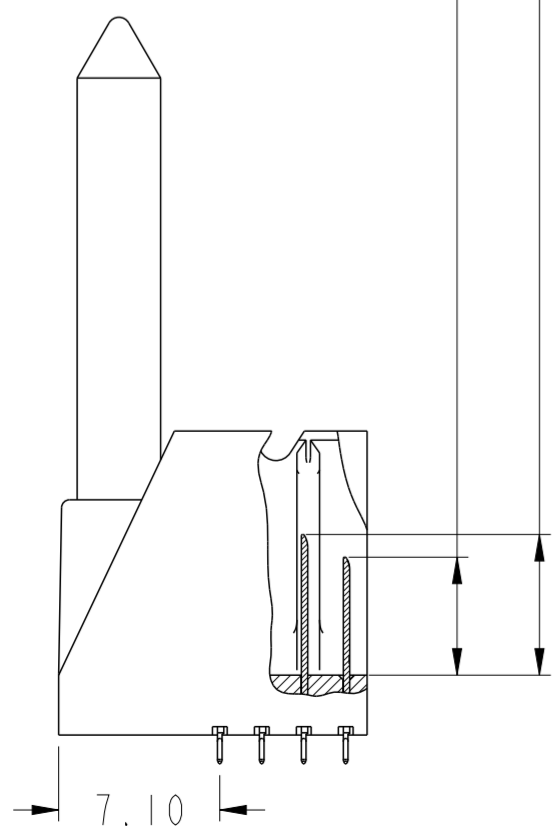
LEFT POLARIZING/GUIDE MODULE



SEE NOTE 5



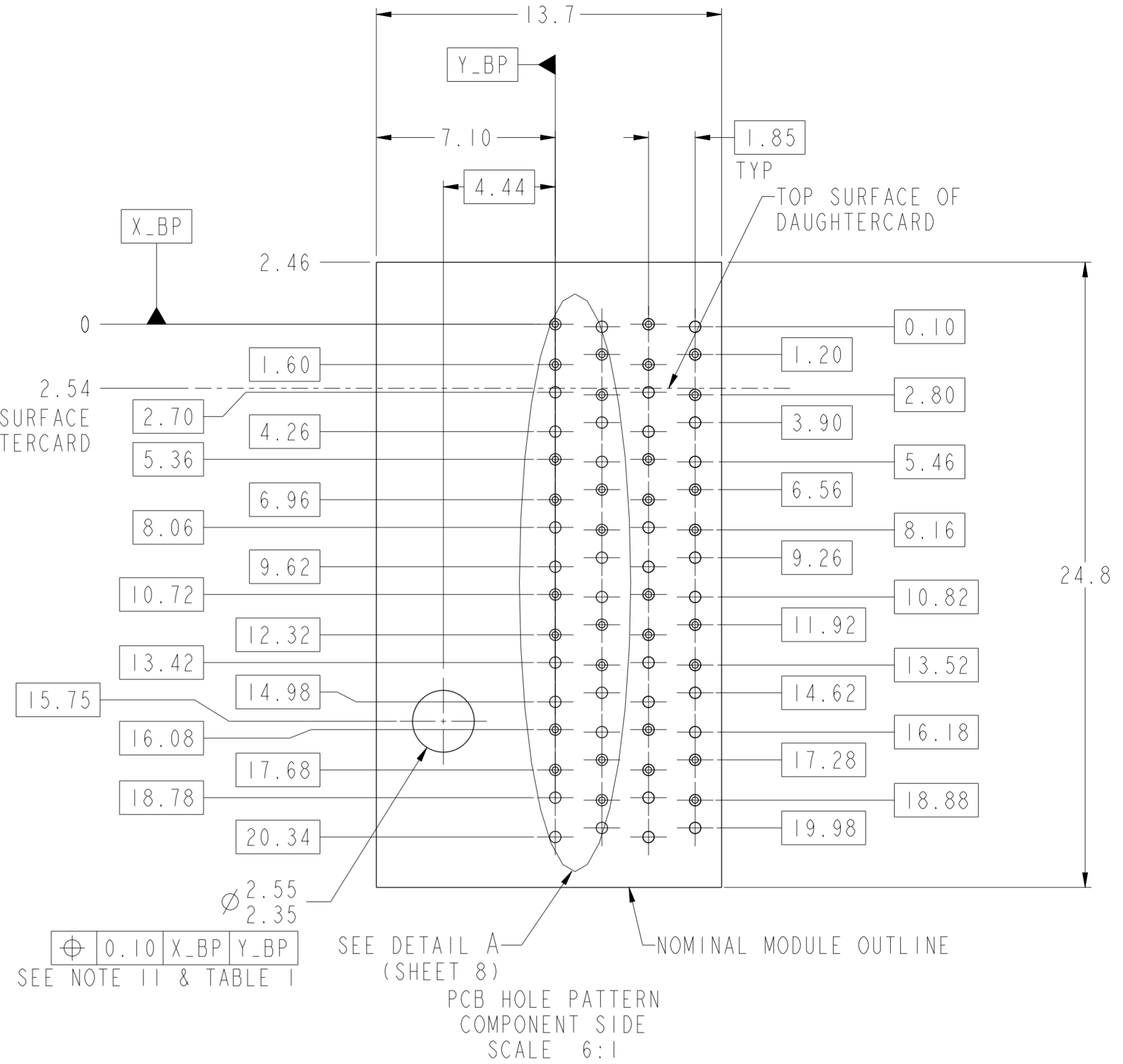
- 6.2 (4MM WIPE WIDE GROUNDS)
- 5.2 (3MM WIPE WIDE GROUNDS)
- 5.2 (3MM SMALL END GROUNDS)
- 5.2 (3MM WIPE SIGNALS)
- 4.2 (2MM WIPE SIGNALS)
- SEE P/N TREE



SEE NOTE 8

TAIL LENGTH
SEE NOTE 12

TO TOP SURFACE
OF DAUGHTERCARD



⊕ 0.10	X_BP	Y_BP
--------	------	------

SEE NOTE 11 & TABLE 1

SEE DETAIL A
(SHEET 8)
PCB HOLE PATTERN
COMPONENT SIDE
SCALE 6:1

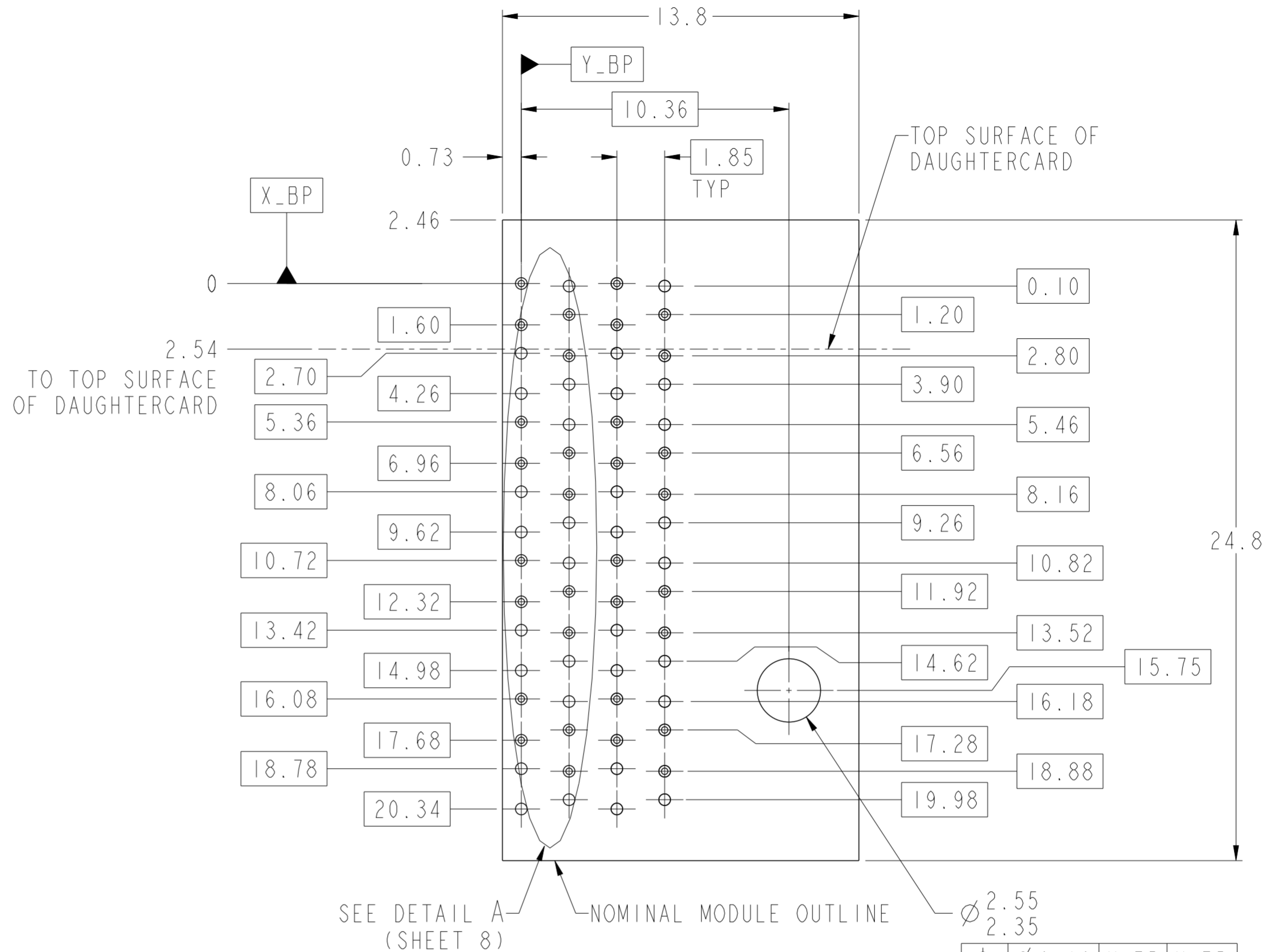
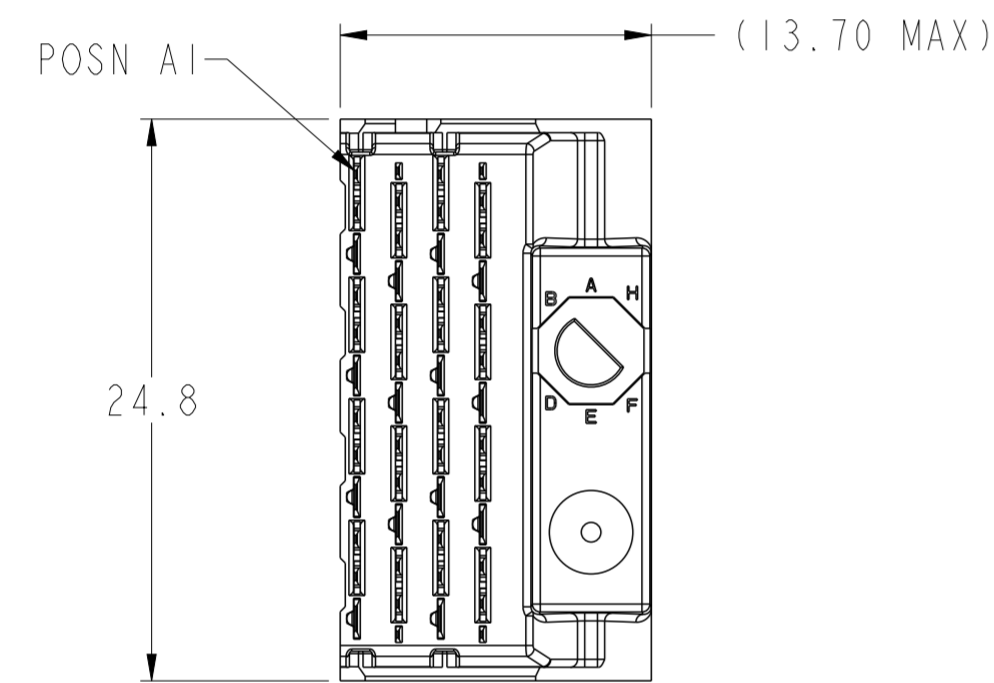
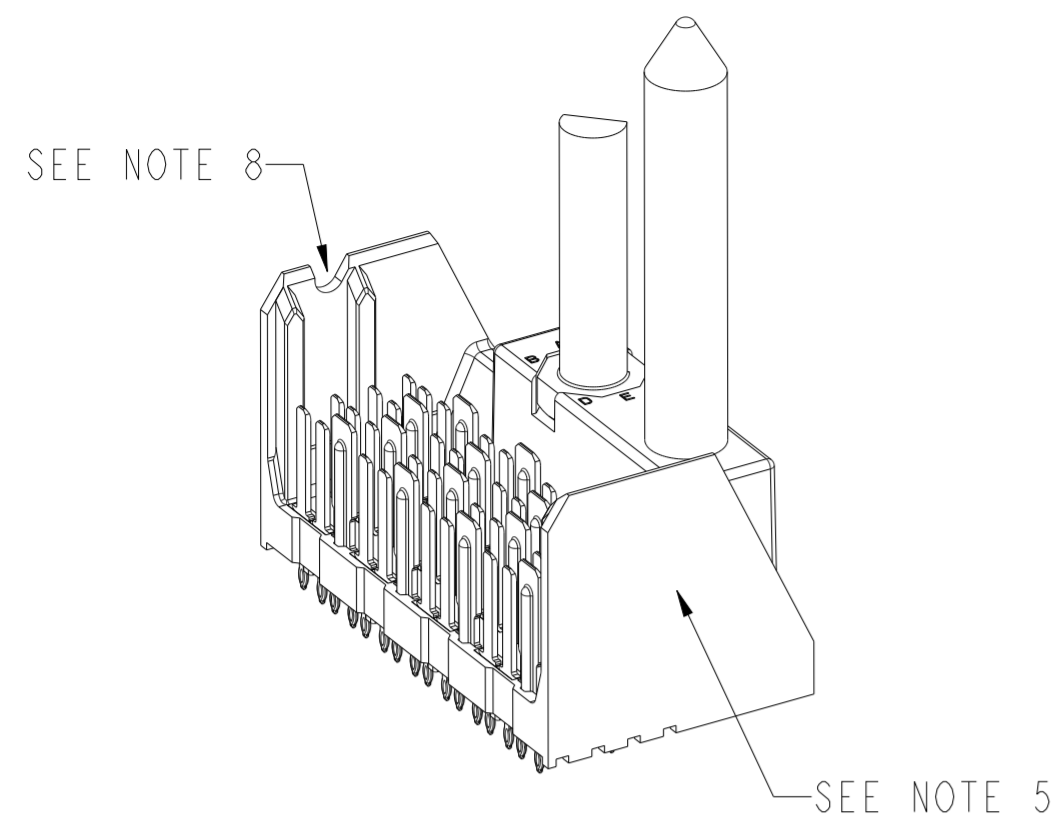
ASSEMBLY BASE CONFIGURATION END DASH NO.	GUIDE PIN	POLARIZING KEY
	DIM 'R'	DIM 'S'
-X0X	31.6mm	22.8mm
-X4X	25.7mm	20.0mm

spec ref	SEE NOTES	dr	Jim Swain	2010/04/13	projection	MM	size	A2	scale	3:1
tolerance std	TOLERANCES UNLESS OTHERWISE SPECIFIED	eng	Michael Song	2016/06/06			ecn no	ELX-DG-24191-1	rel level	Released
ASME Y14.5		chr	Heaven Cen	2016/06/08						
surface	linear	0.X	±0.2		MODULE ASSEMBLY VERTICAL HEADER, 4-COLUMN, 4-PAIR	cat. no.	SEE P/N TREE	Product - Customer Drw	sheet 3 of 8	
		0.XX	±0.10							
ASME Y14.5	angular	0.XXX	±0.050							0°

Amphenol FCI

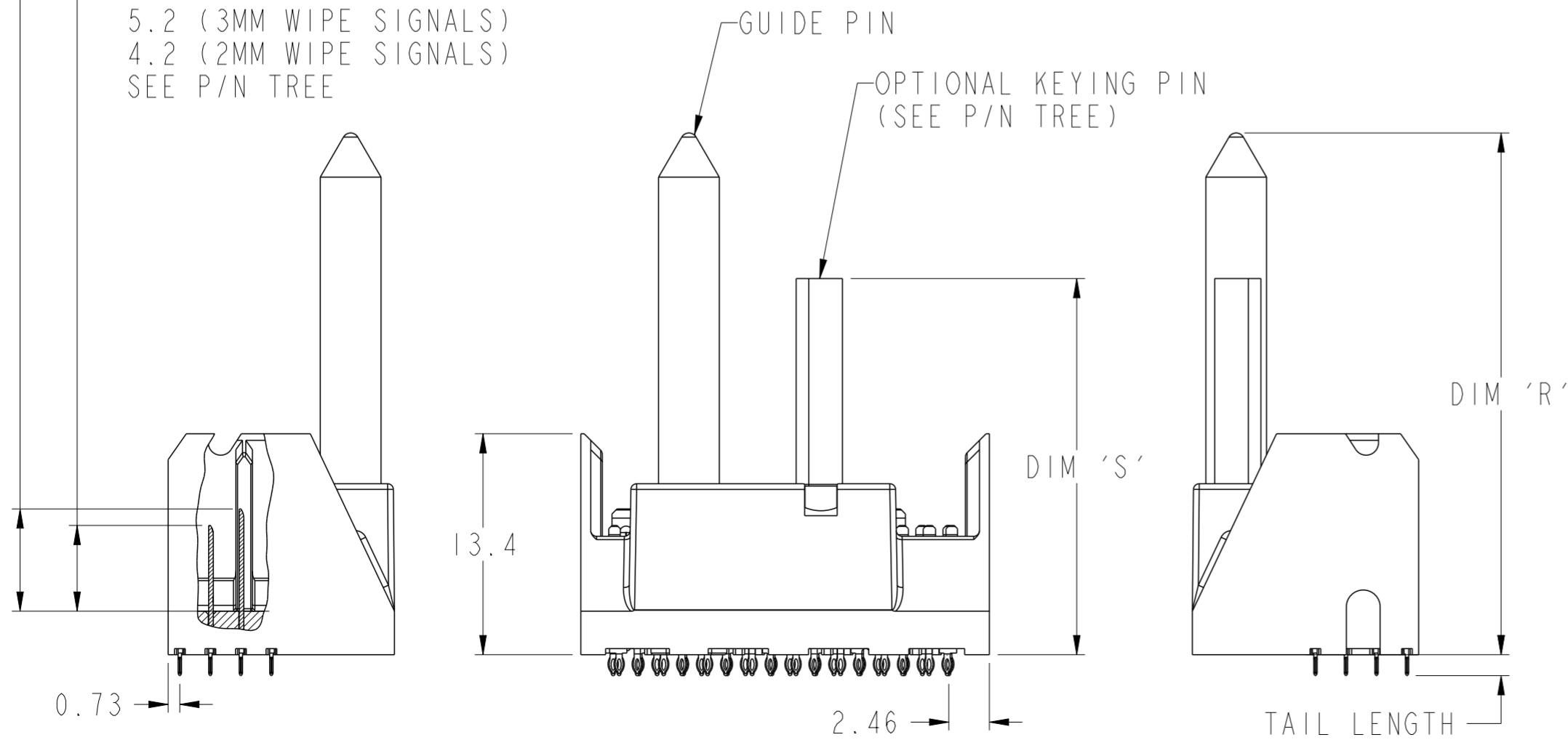
© 2016 AFCI

RIGHT POLARIZING/GUIDE MODULE



\varnothing	$\varnothing 0.10$	X_BP	Y_BP
---------------	--------------------	------	------

- 6.2 (4MM WIPE WIDE GROUNDS)
- 5.2 (3MM WIPE WIDE GROUNDS)
- 5.2 (3MM SMALL END GROUNDS)
- 5.2 (3MM WIPE SIGNALS)
- 4.2 (2MM WIPE SIGNALS)
- SEE P/N TREE

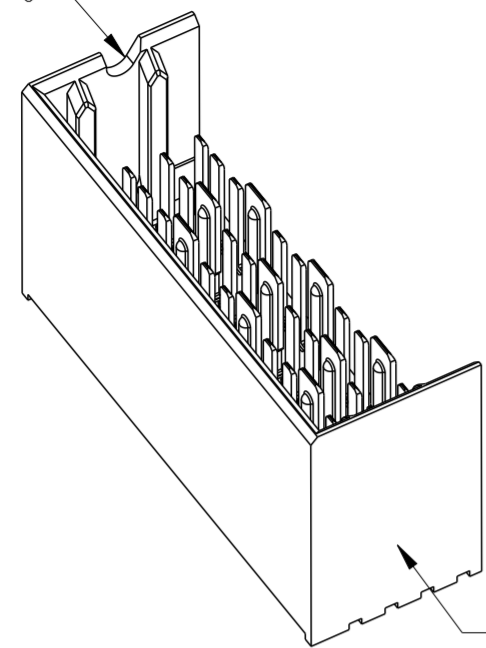


ASSEMBLY BASE CONFIGURATION END DASH NO.	GUIDE PIN	POLARIZING KEY
	DIM 'R'	DIM 'S'
-X0X	31.6mm	22.8mm
-X4X	25.7mm	20.0mm

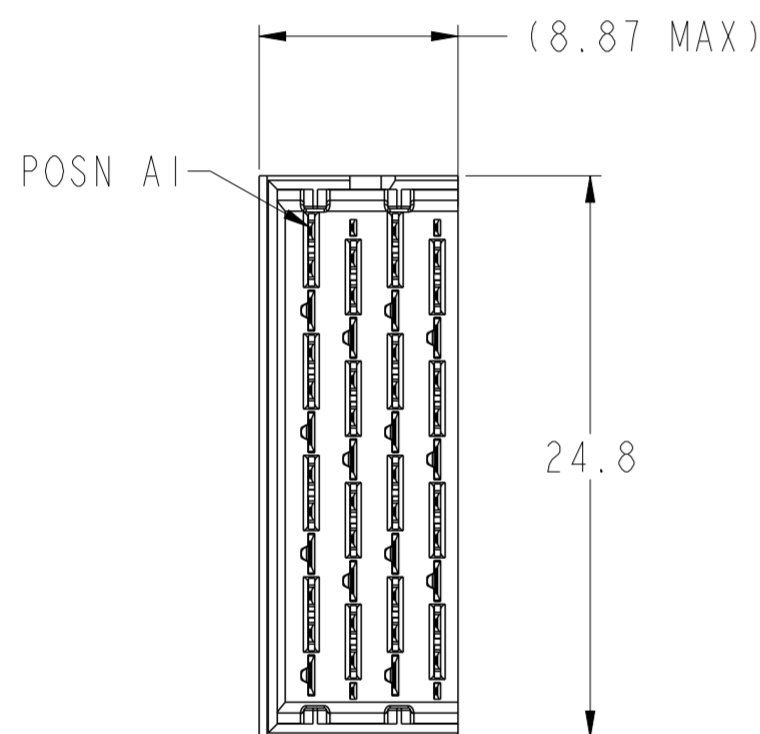
spec ref	SEE NOTES	dr	Jim Swain	2010/04/13	projection	MM	size	A2	scale	3:1	
tolerance std	TOLERANCES UNLESS OTHERWISE SPECIFIED	eng	Michael Song	2016/06/06		Product family	XCede	rel level	Released	ecn no	ELX-DG-24191-1
ASME Y14.5		chr	Heaven Cen	2016/06/08							rel level
surface	linear	0.X	± 0.2	Amphenol FCi	MODULE ASSEMBLY	cat. no.	SEE P/N TREE	Product - Customer Drw	sheet 4 of 8	rev	G
		0.XX	± 0.10								
ASME Y14.5	angular	0.XXX	± 0.050								
		0°	\pm								

LEFT WALL MODULE

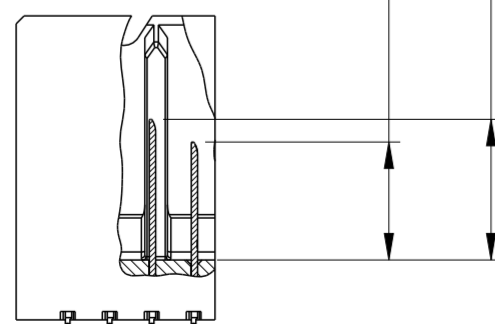
SEE NOTE 8



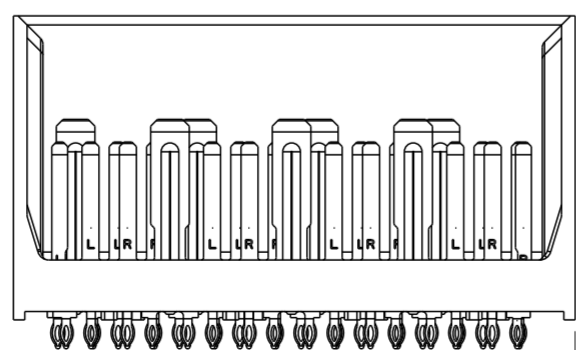
SEE NOTE 5



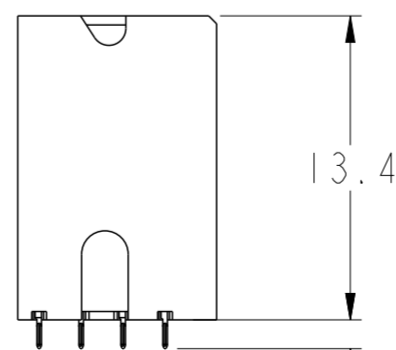
- 6.2 (4MM WIPE WIDE GROUNDS)
- 5.2 (3MM WIPE WIDE GROUNDS)
- 5.2 (3MM SMALL END GROUNDS)
- 5.2 (3MM WIPE SIGNALS)
- 4.2 (2MM WIPE SIGNALS)
- SEE P/N TREE



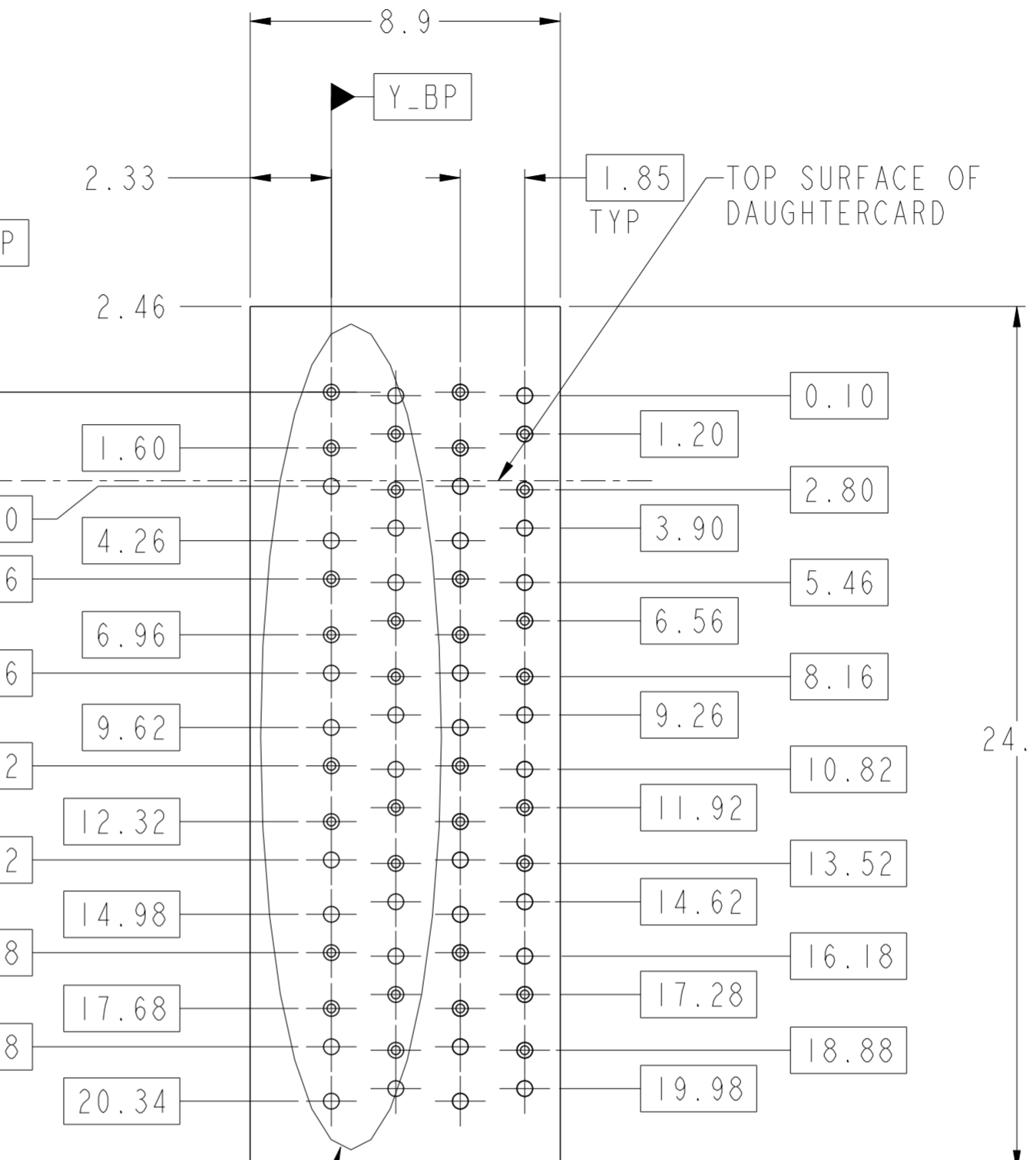
2.33



2.46



TAIL LENGTH
SEE NOTE 12



2.54
TO TOP SURFACE OF DAUGHTERCARD

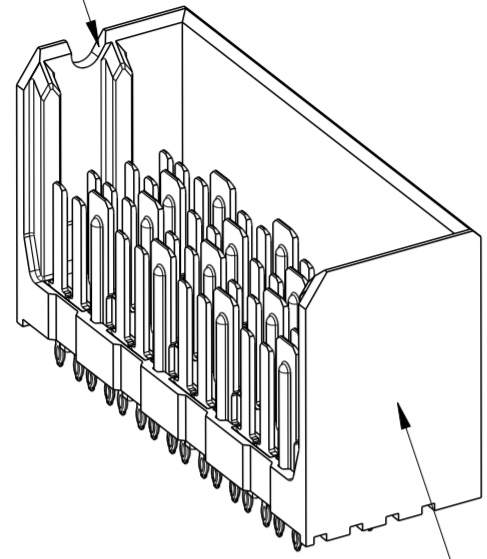
SEE DETAIL A (SHEET 8)

PCB HOLE PATTERN
COMPONENT SIDE
SCALE 6:1

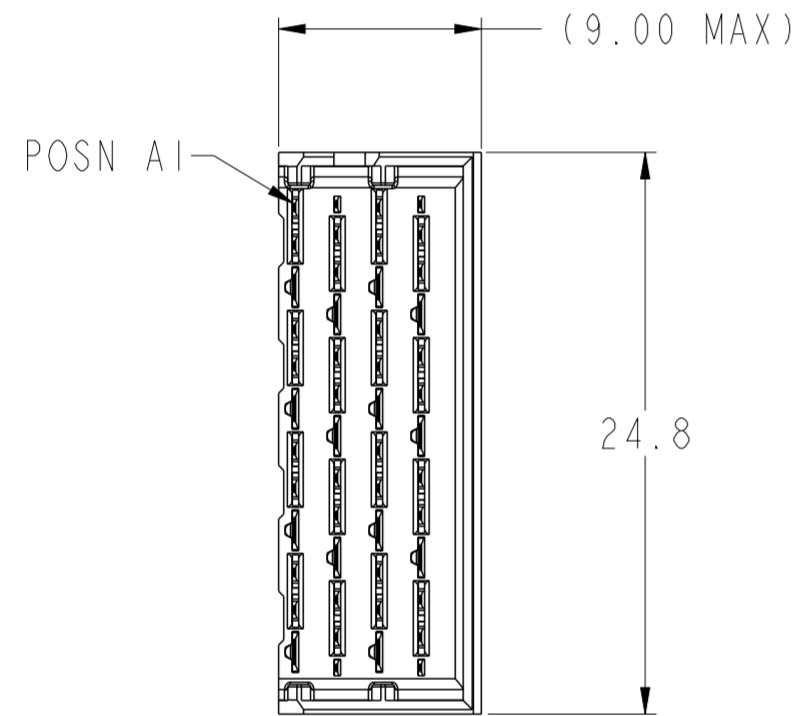
spec ref	SEE NOTES	dr	Jim Swain	2010/04/13	projection	MM	size	A2	scale	3:1		
tolerance std	ASME Y14.5	eng	Michael Song	2016/06/06			ecn no	ELX-DG-24191-1	rel level	Released		
TOLERANCES UNLESS OTHERWISE SPECIFIED		chr	Heaven Cen	2016/06/08			product family	XCede				
		appr	Pai-Ming Zheng	2016/06/15			cat. no.	SEE P/N TREE		Product - Customer Drw	sheet 5 of 8	
surface	ASME Y14.5	linear	0.X	±0.2			MODULE ASSEMBLY VERTICAL HEADER, 4-COLUMN, 4-PAIR		dwg no	10091836	rev	G
		0.XX	±0.10									
		0.XXX	±0.050									
		angular	0°	±°								

RIGHT WALL MODULE

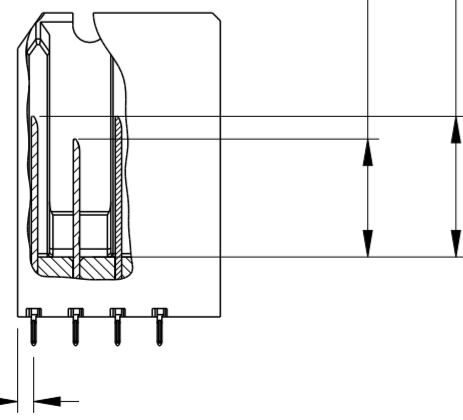
SEE NOTE 8



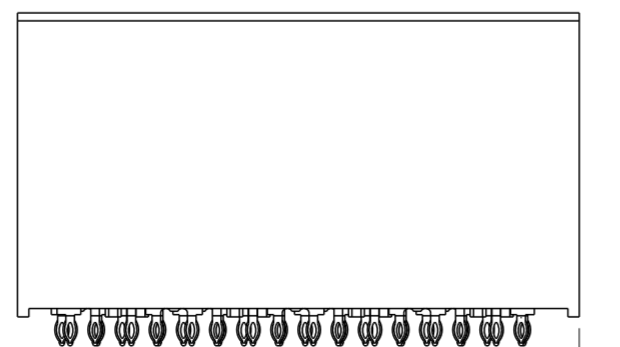
SEE NOTE 5



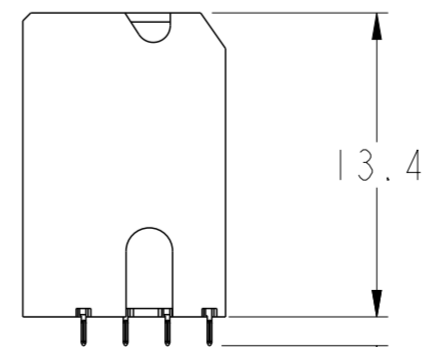
- 6.2 (4MM WIPE WIDE GROUNDS)
- 5.2 (3MM WIPE WIDE GROUNDS)
- 5.2 (3MM SMALL END GROUNDS)
- 5.2 (3MM WIPE SIGNALS)
- 4.2 (2MM WIPE SIGNALS)
- SEE P/N TREE



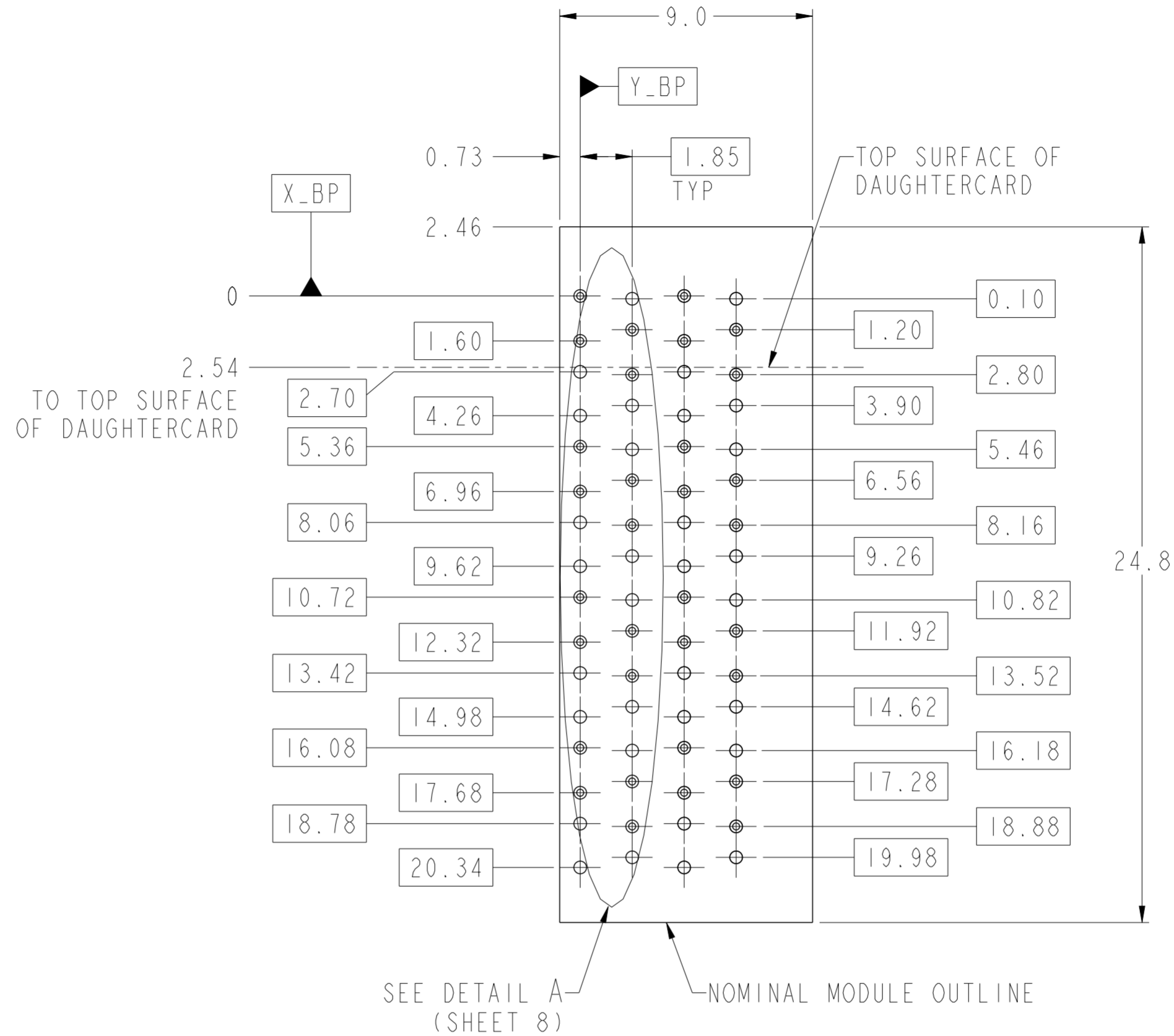
0.73



2.46



TAIL LENGTH
SEE NOTE 12



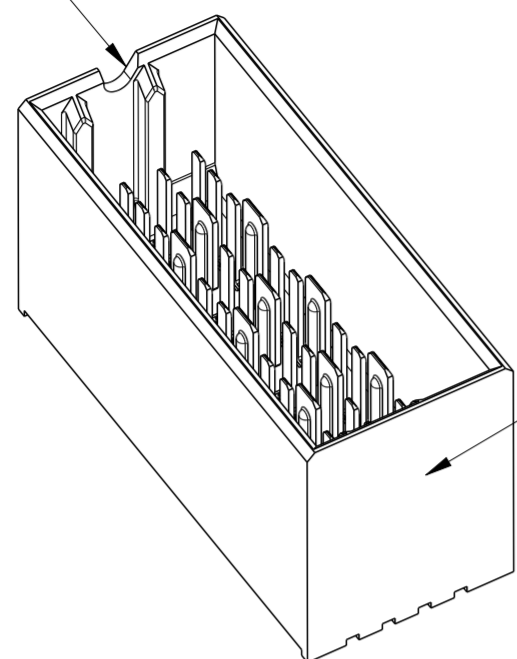
SEE DETAIL A (SHEET 8) NOMINAL MODULE OUTLINE

PCB HOLE PATTERN
COMPONENT SIDE
SCALE 6:1

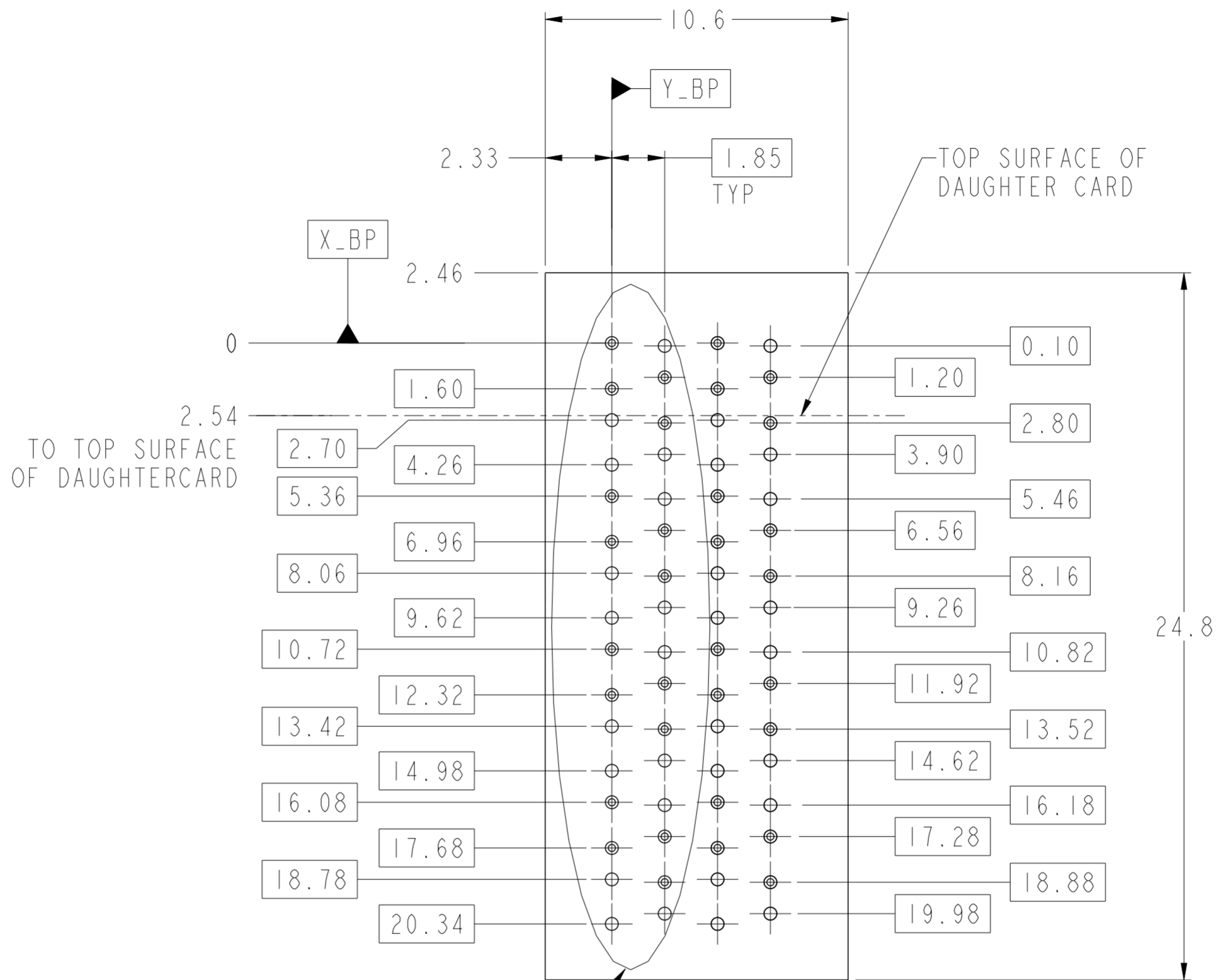
spec ref	SEE NOTES	dr	Jim Swain	2010/04/13	projection	MM	size	A2	scale	3:1	
tolerance std	ASME Y14.5	eng	Michael Song	2016/06/06			ecn no	ELX-DG-24191-1			
TOLERANCES UNLESS OTHERWISE SPECIFIED		chr	Heaven Cen	2016/06/08			rel level	Released			
		appr	Pai-Ming Zheng	2016/06/15			product family	XCede			
surface	linear	0.X	±0.2		MODULE ASSEMBLY VERTICAL HEADER, 4-COLUMN, 4-PAIR	dwg no 10091836	rev G	cat. no. SEE P/N TREE			
	0.XX	±0.10	Product - Customer Drw								
	0.XXX	±0.050	sheet 6 of 8								
ASME Y14.5	angular	0°	±°								

4-WALL MODULE

SEE NOTE 8

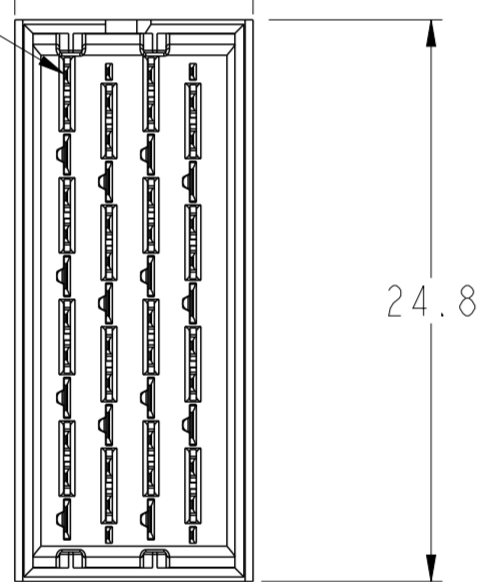


SEE NOTE 5



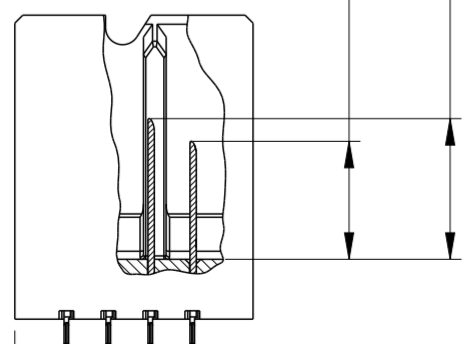
(10.50 MAX)

POSN A1

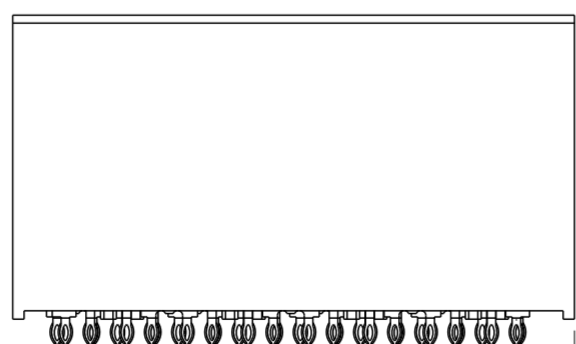


6.2 (4MM WIPE WIDE GROUNDS)
5.2 (3MM WIPE WIDE GROUNDS)

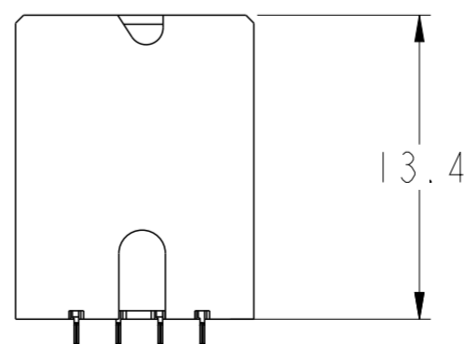
5.2 (3MM SMALL END GROUNDS)
5.2 (3MM WIPE SIGNALS)
4.2 (2MM WIPE SIGNALS)
SEE P/N TREE



2.33



2.46



13.4

TAIL LENGTH
SEE NOTE 12

spec ref	SEE NOTES	dr	Jim Swain	2010/04/13	projection	MM	size	A2	scale	4:1
tolerance std	ASME Y14.5	eng	Michael Song	2016/06/06			ecn no	ELX-DG-24191-1		
TOLERANCES UNLESS OTHERWISE SPECIFIED		chr	Heaven Cen	2016/06/08			rel level	Released		
surface	linear	0.X	±0.2		product family	-				
ASME Y14.5	angular	0°	±°		cat. no.	-				
	0.XX	±0.10	0.XXX		±0.050	title	MODULE ASSEMBLY			
				appr	Pai-Ming Zheng	2016/06/15	dwg no	10091836		
				Product - Customer Drw		sheet 7 of 8		rev		G

NOTES:

1. CONNECTOR MATERIALS
SHROUD: HIGH-TEMP THERMOPLASTIC, GRAY, UL94V-0
CONTACTS: HIGH PERFORMANCE COPPER ALLOY
2. CONTACT PLATING:

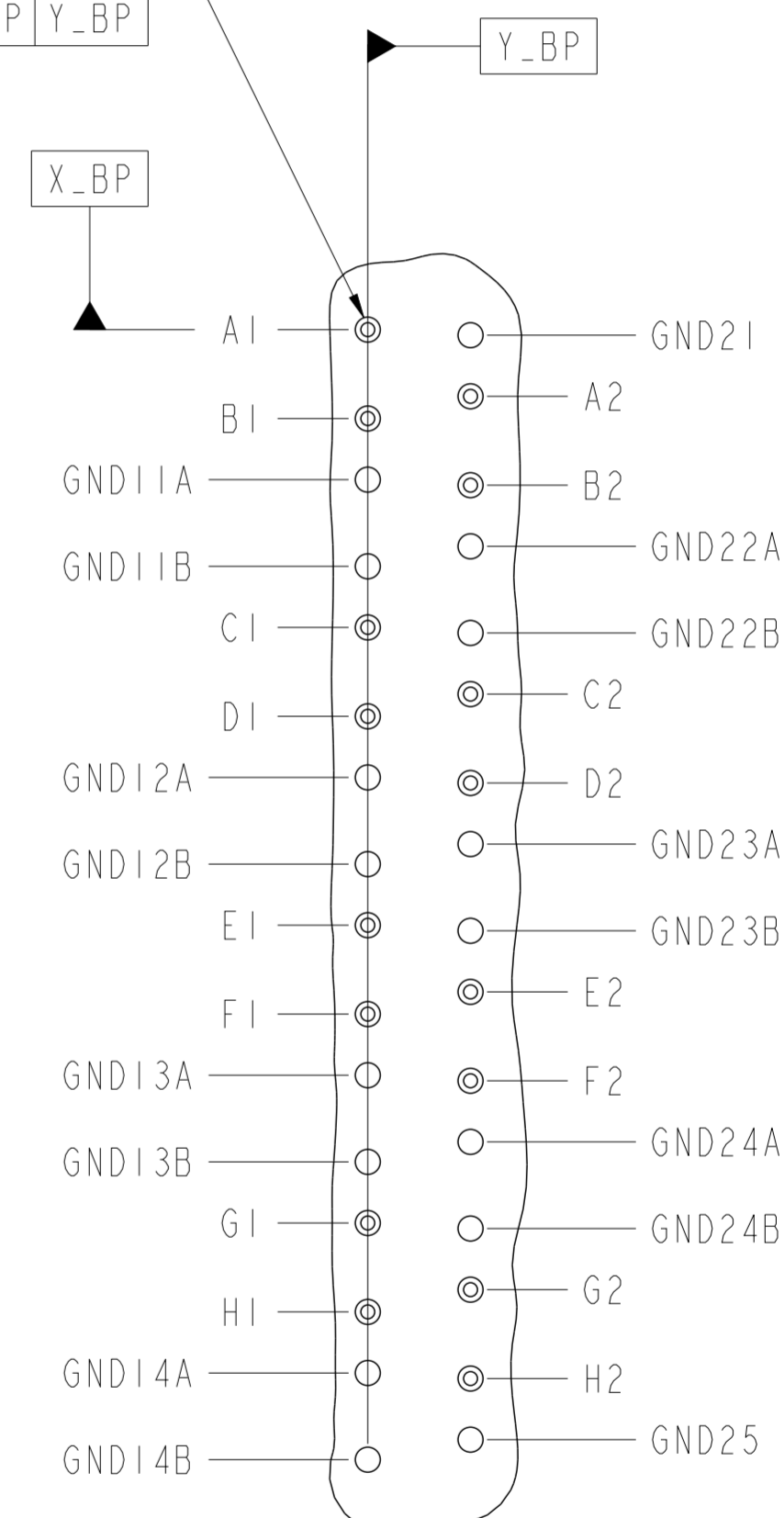
SEPARABLE INTERFACE: PERFORMANCE-BASED PLATING, QUALIFIED TO MEET THE REQUIREMENTS OF FCI PRODUCT SPECIFICATION GS-12-588, INCLUDING THE TELCORDIA GR-1217-CORE (NOVEMBER 1995) CENTRAL OFFICE (CO) OR UNCONTROLLED ENVIRONMENT (UE) TEST SEQUENCE AS NOTED IN P/N TREE.

PRESS-FIT TAILS: TIN OVER NICKEL (LF), OR TIN-LEAD ALLOY OVER NICKEL (NON-LF). SEE P/N TREE.
3. PRODUCT SPECIFICATION: GS-12-588
4. APPLICATION SPECIFICATION: GS-20-121
5. PRODUCT MARKING (PART NUMBER AND LOT CODE) ON THESE SURFACES.
6. HOUSING MUST WITHSTAND EXPOSURE TO 260°C PEAK TEMPERATURE FOR 40 SECONDS IN A CONVECTION, INFRA-RED, OR VAPOR-PHASE REFLOW OVEN.
7. PACKAGING MEETS GS-14-920 LEAD-FREE LABELING SPECIFICATION.
8. NOTCH INDICATES "ROW A" SIDE OF CONNECTOR.
9. SEE APPLICATION SPECIFICATION FOR ROUTING GUIDELINES, ADDITIONAL PTH GUIDELINES, MATED DIMENSIONS, GUIDE PN SELECTION, ETC.
10. SCREW IS OPTIONAL AND ENGAGES WITH BOTTOM OF GUIDE-PIN FROM BENEATH THE PCB FOR ADDITIONAL GUIDE-PIN SUPPORT.
11. OPTIONAL HOLE LOCATION FOR GROUNDED PIN OR ADDITIONAL GUIDE-PIN SUPPORT. SEE TABLE 1 ON SHEET 1 FOR ADDITIONAL DETAILS.
12. TAIL LENGTH=1.3mm FOR $\varnothing 0.55$ [0.0217"]COMPLIANT PIN DRILL
TAIL LENGTH=1.5mm FOR $\varnothing 0.45$ [0.0177"]COMPLIANT PIN DRILL

TABLE 3: PTH AND PAD SIZES WITH REFERENCE TO COMPLIANT PIN DRILL

COMPLIANT PIN DRILL	PTH	PAD
$\varnothing 0.55$ [0.0217"]	$\varnothing 0.45 \pm 0.05$	$\varnothing 0.85$
$\varnothing 0.45$ [0.0177"]	$\varnothing 0.36 \pm 0.05$	$\varnothing 0.75$

SEE TABLE 3 FOR PTH, DRILL & PAD SIZES



DETAIL A
SCALE 8:1

Amphenol FCI

© 2016 AFCI

spec ref	SEE NOTES	dr	Jim Swain	2010/04/13	projection	MM	size	A2	scale	4:1
tolerance std	TOLERANCES UNLESS OTHERWISE SPECIFIED	eng	Michael Song	2016/06/06			ecn no	ELX-DG-24191-1	rel level	Released
ASME Y14.5		chr	Heaven Cen	2016/06/08						
		appr	Pai-Ming Zheng	2016/06/15						
surface	linear	0.X	±0.2	Amphenol FCI		MODULE ASSEMBLY VERTICAL HEADER, 4-COLUMN, 4-PAIR		cat. no.	Product - Customer Drw	sheet 8 of 8
		0.XX	±0.10							
		0.XXX	±0.050							
ASME Y14.5	angular	0°	±°							

PDS: Rev :G

STATUS:Released

Printed: Jun 15, 2016

Данный компонент на территории Российской Федерации

Вы можете приобрести в компании MosChip.

Для оперативного оформления запроса Вам необходимо перейти по данной ссылке:

<http://moschip.ru/get-element>

Вы можете разместить у нас заказ для любого Вашего проекта, будь то серийное производство или разработка единичного прибора.

В нашем ассортименте представлены ведущие мировые производители активных и пассивных электронных компонентов.

Нашей специализацией является поставка электронной компонентной базы двойного назначения, продукции таких производителей как XILINX, Intel (ex.ALTERA), Vicor, Microchip, Texas Instruments, Analog Devices, Mini-Circuits, Amphenol, Glenair.

Сотрудничество с глобальными дистрибьюторами электронных компонентов, предоставляет возможность заказывать и получать с международных складов практически любой перечень компонентов в оптимальные для Вас сроки.

На всех этапах разработки и производства наши партнеры могут получить квалифицированную поддержку опытных инженеров.

Система менеджмента качества компании отвечает требованиям в соответствии с ГОСТ Р ИСО 9001, ГОСТ РВ 0015-002 и ЭС РД 009

Офис по работе с юридическими лицами:

105318, г.Москва, ул.Щербаковская д.3, офис 1107, 1118, ДЦ «Щербаковский»

Телефон: +7 495 668-12-70 (многоканальный)

Факс: +7 495 668-12-70 (доб.304)

E-mail: info@moschip.ru

Skype отдела продаж:

moschip.ru

moschip.ru_4

moschip.ru_6

moschip.ru_9