




Features

- Multi-stage protection
- Balanced TRIGARD®
- Quick response to surges
- High energy handling
- Reliability is improved by elimination of the air Back-Up-Gap (BUG)
- Meets test requirements of Telcordia GR 974, GR1361, SR 5165 and RUS PE-80
- Telcordia Analysis report DA-1843
- High-speed network compatible
- Binding post or optional Insulation Displacement Connectors (IDC)
-  UL Listed per UL 497 (File: E53117)

2377-45 Series Digi.Guard – MSP® Maximum Duty Station Protector

Bourns® Model 455HS Multi-Stage Protector (MSP®) is a new generation telecommunications station protector designed to be the best all around choice for protecting copper pair voice-band and high-speed data circuits. Combining the strengths of Gas Discharge Tube (GDT) and solid state overvoltage protection, the Model 455HS MSP® integrates three advanced technologies: our proprietary advanced GDT, precision matched metal oxide varistors (MOV), and a patented Switch-Grade Fail-Short mechanism. The 2377 series offer superior service life, far exceeding Telcordia standards.

Bourns® 2377-45 can be used universally for POTS and high speed data, e.g. ISDN, ADSL, ADSL2+, VDSL, VDSL2, other xDSL protocols and high speed Ethernet. Bourns® MSP® technology provides unparalleled overvoltage protection with low loss on paired copper communications circuits. The Model 455 is the most economical, reliable and effective choice to protect paired copper communications circuits. The IDC version, with environmental sealant, provides additional ease of installation and protection against corrosion.

Characteristics

Tested per IEEE C62.31, UL 497, CSA C22.2, Telcordia GR-1361 and applicable sections of Telcordia GR 974.

DC Breakdown	300-400 V
AC Breakdown	60 Hz 300-400 V
Impulse Breakdown.....	100 V/μs 600 V
	1000 V/μs 650 V
Insulation Resistance	100 Vdc > 1 GΩ
Insertion Loss	100 MHz < 0.4 dB (Category 5)
Return Loss	100 MHz > 14 dB (Category 5)
Capacitance Line to Line - Binding Post.....	1 MHz..... 12 pF typical
Capacitance Line to Line - IDC	1 MHz 14 pF typical
Capacitance Line to Ground - Binding Post	1 MHz 24 pF typical
Capacitance Line to Ground - IDC.....	1 MHz..... 28 pF typical
Impulse Reset ¹	52 V, 260 mA < 10 ms ³
	135 V, 200 mA < 10 ms ³
	150 V, 200 mA < 150 ms
Impulse Life Characteristics (Per-Side, Simultaneously)	100 A, 10/1000 μs > 3000 operations ²
	300 A, 10/1000 μs > 1000 operations ²
	500 A, 10/1000 μs > 1000 operations ⁴
	2,000 A, 10/250 μs > 100 operations ²
	5,000 A, 20/100 μs > 10 operations ²
	20,000 A, 8/20 μs > 10 operations ⁴
AC Life Characteristics.....	0.5 A rms continuous > 30 seconds
	1 A rms, 1 second, 600 ft. cable > 60 operations
	1 A rms, 1 second, 1 mile cable..... > 60 operations
	10 A rms, 1 second > 20 operations
	200 A rms, 11 cycles..... 1 operation ⁵
	120 A rms, 0.1 second 1 operation
Life Test Criteria	
Insulation Resistance Throughout the Life Test	100 MΩ
Life Test Failures.....	0.0 %
Failures During Environmental Cycling w/ surges	0.0 %
Fail-Short (vented or non-vented gas tube)	> 30 Arms, simultaneously
Operating Temperature	-55 to +85 °C

Notes:

¹ Network Applied

² Exceeds Telcordia (Bellcore) GR 1361

³ Surpasses Telcordia GR 974

⁴ RUS (REA) PE-80

⁵ Protector may short to ground

Line to Line voltage is approximately 1.8 to 2 times the stated Line to Ground breakdown voltage.

Specifications are subject to change without notice.

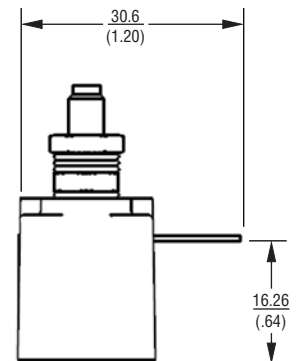
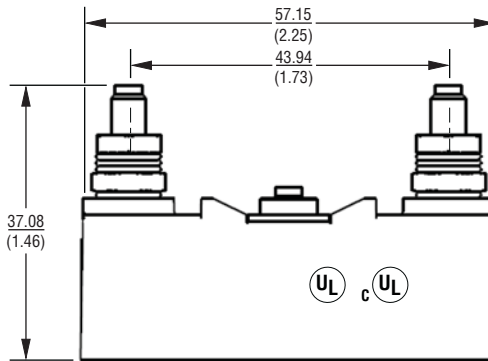
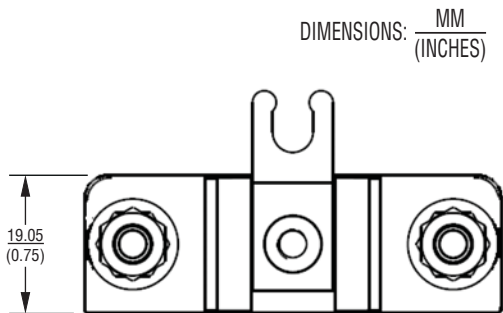
The device characteristics and parameters in this data sheet can and do vary in different applications and actual device performance may vary over time. Users should verify actual device performance in their specific applications.

2377-45 Series Digi.Guard – MSP® Maximum Duty Station Protector

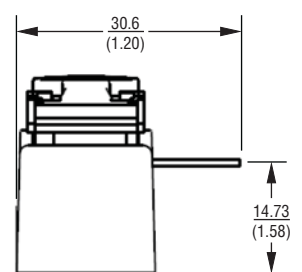
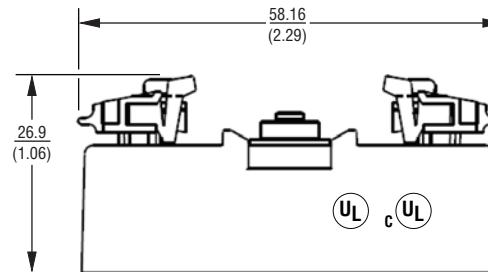
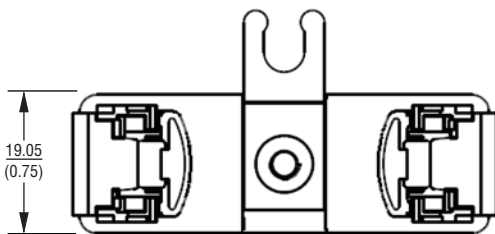
BOURNS®

Product Dimensions

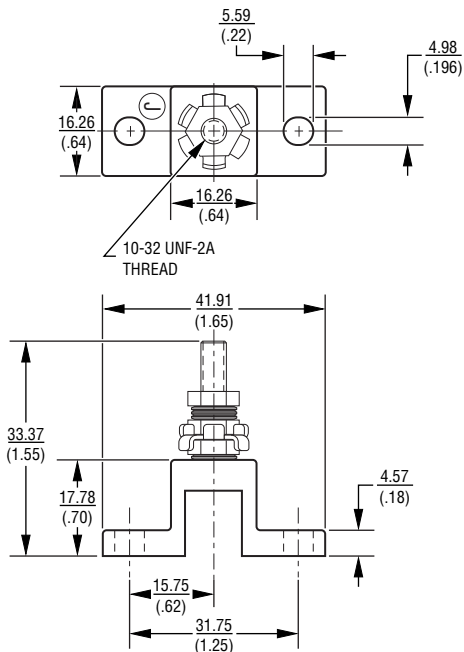
2377-45-HS, 2377-45-BC



2377-45-HS-IDC, 2377-45-BC-IDC



2372-02 Ground Mounting Stud (order separately)



How To Order

- 2377-45-HS Binding Post Connectors
- 2377-45-BC* Balanced Capacitance, Binding Post Connectors
- 2377-45-HS-IDC Insulation Displacement Connectors
- 2377-45-BC-IDC* Balanced Capacitance, Insulation Displacement Connectors

* BC versions for xDSL systems that require Tip-to-Ground and Ring-to-Ground capacitive balance of ≤ 1 pF.

Related Products

-  80052 Test Clip for IDC
-  80053 Insulation Tool for IDC

REV. N 03/15

Specifications are subject to change without notice. The device characteristics and parameters in this data sheet can and do vary in different applications and actual device performance may vary over time. Users should verify actual device performance in their specific applications.

Данный компонент на территории Российской Федерации

Вы можете приобрести в компании MosChip.

Для оперативного оформления запроса Вам необходимо перейти по данной ссылке:

<http://moschip.ru/get-element>

Вы можете разместить у нас заказ для любого Вашего проекта, будь то серийное производство или разработка единичного прибора.

В нашем ассортименте представлены ведущие мировые производители активных и пассивных электронных компонентов.

Нашей специализацией является поставка электронной компонентной базы двойного назначения, продукции таких производителей как XILINX, Intel (ex.ALTERA), Vicor, Microchip, Texas Instruments, Analog Devices, Mini-Circuits, Amphenol, Glenair.

Сотрудничество с глобальными дистрибьюторами электронных компонентов, предоставляет возможность заказывать и получать с международных складов практически любой перечень компонентов в оптимальные для Вас сроки.

На всех этапах разработки и производства наши партнеры могут получить квалифицированную поддержку опытных инженеров.

Система менеджмента качества компании отвечает требованиям в соответствии с ГОСТ Р ИСО 9001, ГОСТ РВ 0015-002 и ЭС РД 009

Офис по работе с юридическими лицами:

105318, г.Москва, ул.Щербаковская д.3, офис 1107, 1118, ДЦ «Щербаковский»

Телефон: +7 495 668-12-70 (многоканальный)

Факс: +7 495 668-12-70 (доб.304)

E-mail: info@moschip.ru

Skype отдела продаж:

moschip.ru

moschip.ru_4

moschip.ru_6

moschip.ru_9