

RS-232 to RS-485 Converter

Model 485COSR



The RS-232 to RS-485 Converter converts unbalanced, full-duplex RS-232 signals to balanced full-duplex (4-wire), or half-duplex (2-wire) RS-485 signals. RS-485 is an enhanced version of the RS-422 balanced line standard.

The RS-232 port has a female DB25S type of connector with pins 2 (TD input) and 3(RD output) supported. Protective Ground (pin 1) and Signal Ground (pin 7) are also passed through. Pins 4(RTS) and 5(CTS) are tied together. Also pins 6(DSR), 8(CD), and 20(DTR) are tied together, but not passed through the converter. The RS-485 port has a male DB25P type of connector with the Send Data outputs on pins 2 and 14, and Receive Data inputs on pins 3 and 16 or 5 and 17.

Figure 2 shows how to interconnect two RS-485 Converters using two signal wires. The resistors Rt are optional, depending on the line length, baud rate, etc. The resistors should be about the impedance of the line used, but in no case should they be less than 120 ohms each. No special software requirements are needed, since the 485 driver is enabled by the first transition on the RS-232 side of the transmit data line (Pin 2). Any transition on the TD line keeps the RS-485 driver enabled by preventing the monostable multivibrator from timing out. The transmitter is disabled approximately 1 ms after the last transmitted character. This 1 ms timeout allows continuous transmission of data at 9600 baud or higher. If other baud rates are required, see Table 1.

Table 1			
COMPONENT REPLACEMENTS FOR CHANGING BAUD RATE TIMEOUTS			
Baud Rate	Time (ms)	Resistor (R6) (ohm)	Capacitor (C7) (mfd)
300	33.3	330K	0.1
600	16.6	160K	0.1
1200	8.33	820K	0.01
2400	4.16	430K	0.01
4800	2.08	200K	0.01
9600	1.04	100K	0.01
19200	.520	56K	0.01
38400	.260	27K	0.01
57600	.176	16K	0.01
115200	.0868	8.2K	0.01

The 485COSR has an internal connection to prevent data transmitted from the RS-232 port from being echoed back to the RS-232 port. The connection can be removed to have the receiver always enabled. (Refer to schematic) After the connection is removed, a jumper wire from pin 18 to pin 21 can be installed to disable the receiver during transmission. Up to 32 receivers can be driven by any one driver. This allows you to put together large systems with many drop points. The termination resistors should be located approximately at opposite ends of the system.

Proper operation of any RS-485 system requires the presence of a signal return path. The RS-485 Standard recommends that a third wire be used for this. For safety, a 100 ohm half-watt resistor should be connected between pin 7 and the "reference" wire at every drop point. While it may be possible to interconnect signal grounds (pin 7's) directly, this is not recommended due to the danger of circulating currents possibly being present.

No wire type or maximum run length is listed in the RS-485 Standard. However, the RS-422 Standard, which is very similar, recommends number 24 AWG twisted-pair telephone cable with a shunt capacitance of 16 picofarad per foot and no more than 4000 ft. of distance.

The polarity of the two RS-485 lines must be correct. With no data being sent, the RS-232 line should be negative and the RS-485 "A" terminal should be negative with respect to the "B" terminal. If your equipment uses a "+" and "-" naming scheme, in most cases the "A" line will be connected to the "-" and the "B" line will be connected to the "+".

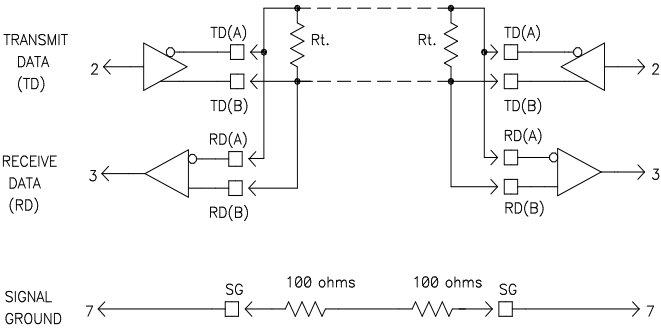


FIGURE 2. INTERCONNECTION DRAWING

DECLARATION OF CONFORMITY

Manufacturer's Name: B&B Electronics Manufacturing Company
 Manufacturer's Address: P.O. Box 1040, 707 Dayton Road, Ottawa, IL 61350 USA
 Model Number: 485COSR
 Description: 2-Channel RS-485 Converter w/SD Control
 Type: Light industrial ITE equipment
 Application of Council Directive: 89/336/EEC
 Standards: EN 50082-1 (IEC 801-2, IEC 801-3, IEC 801-4), EN 50081-1 (EN 55022, IEC 1000-4-2), EN 61000 (-4-2, -4-3, -4-4, -4-5, -4-6, -4-8, -4-11), ENV 50204, EN 55024

Robert M. Paratore
 Robert M. Paratore, Director of Engineering

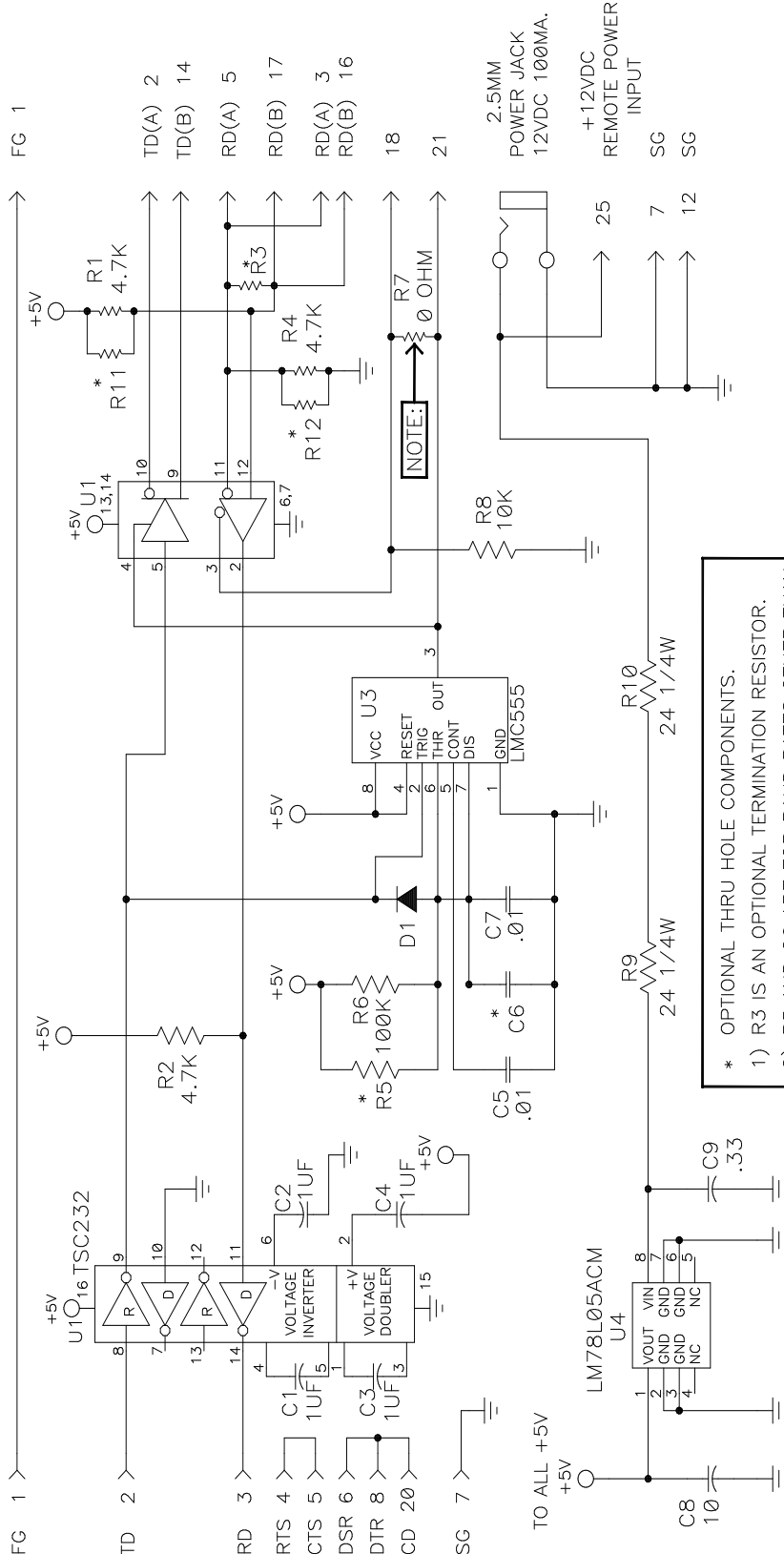
CE



MODEL 485COSR

FEWALE DB25P
CONNECTOR

MALE DB25P
CONNECTOR



* OPTIONAL THRU HOLE COMPONENTS.

- 1) R3 IS AN OPTIONAL TERMINATION RESISTOR.
- 2) R5 AND C6 ARE FOR BAUD RATES OTHER THAN 9600 BAUD. REMOVAL OF R6 AND C7 MAY BE NEEDED. SEE TABLE 1 FOR VALUE CHANGES.
- 3) RESISTORS R11 AND R12 ALLOW CHANGES TO THE OFF STATE BIASING. REMOVAL OF R1 AND R4 MAY BE REQUIRED.

NOTE: 0 OHM RESISTOR R7 TO BE REMOVED FOR RECEIVER CONSTANT ENABLE. AFTER R7 IS REMOVED, A JUMPER WIRE FROM PIN 18 TO PIN 21 CAN BE INSTALLED TO DISABLE THE RECEIVER DURING TRANSMIT DATA.

Данный компонент на территории Российской Федерации

Вы можете приобрести в компании MosChip.

Для оперативного оформления запроса Вам необходимо перейти по данной ссылке:

<http://moschip.ru/get-element>

Вы можете разместить у нас заказ для любого Вашего проекта, будь то серийное производство или разработка единичного прибора.

В нашем ассортименте представлены ведущие мировые производители активных и пассивных электронных компонентов.

Нашей специализацией является поставка электронной компонентной базы двойного назначения, продукции таких производителей как XILINX, Intel (ex.ALTERA), Vicor, Microchip, Texas Instruments, Analog Devices, Mini-Circuits, Amphenol, Glenair.

Сотрудничество с глобальными дистрибьюторами электронных компонентов, предоставляет возможность заказывать и получать с международных складов практически любой перечень компонентов в оптимальные для Вас сроки.

На всех этапах разработки и производства наши партнеры могут получить квалифицированную поддержку опытных инженеров.

Система менеджмента качества компании отвечает требованиям в соответствии с ГОСТ Р ИСО 9001, ГОСТ РВ 0015-002 и ЭС РД 009

Офис по работе с юридическими лицами:

105318, г.Москва, ул.Щербаковская д.3, офис 1107, 1118, ДЦ «Щербаковский»

Телефон: +7 495 668-12-70 (многоканальный)

Факс: +7 495 668-12-70 (доб.304)

E-mail: info@moschip.ru

Skype отдела продаж:

moschip.ru

moschip.ru_4

moschip.ru_6

moschip.ru_9