

THIS DRAWING IS UNPUBLISHED. RELEASED FOR PUBLICATION
 © COPYRIGHT - By - ALL RIGHTS RESERVED.


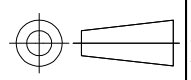
LOC	DIST	REVISIONS 変更					
J	-	P	LTR	DESCRIPTION	DATE	DWN	APVD
			H3	REVISED PER ECO-11-005030	30MAR11	RK	HMR

△1	OBSOLETE	215032-1	2-170823-9	SEE 7 OF 13
		246225	2-170823-8	SEE 2 OF 13
△1	OBSOLETE	238035-3	2-170823-7	SEE 10 OF 13
	OBSOLETE	235818	2-170823-5	SEE 12 OF 13
		234018-4	2-170823-4	SEE 13 OF 13
	OBSOLETE	234025-1	2-170823-3	
	△1 OBSOLETE	234030-1	2-170823-2	
		230032-1	2-170823-1	SEE 9 OF 13
		238035-2	2-170823-0	SEE 10 OF 13
		238035-1	1-170823-9	
		238032-1	1-170823-8	
△1	OBSOLETE	238020-1	1-170823-7	
		238038	1-170823-6	SEE 12 OF 13
		238035	1-170823-5	
		235825-1	1-170823-4	
		235822	1-170823-3	SEE 13 OF 13
		234018-2	1-170823-2	
		234018-1	1-170823-1	
		234030	1-170823-0	
		234018	170823-9	
		234016	170823-8	SEE 10 OF 13
△1	OBSOLETE	238060	170823-7	
		238048	170823-6	
		238032	170823-4	
		238020	170823-3	
		238025	170823-2	SEE 13 OF 13
		234025	170823-1	
		SHINAGAWA SHOKO PN	PN	REMARK

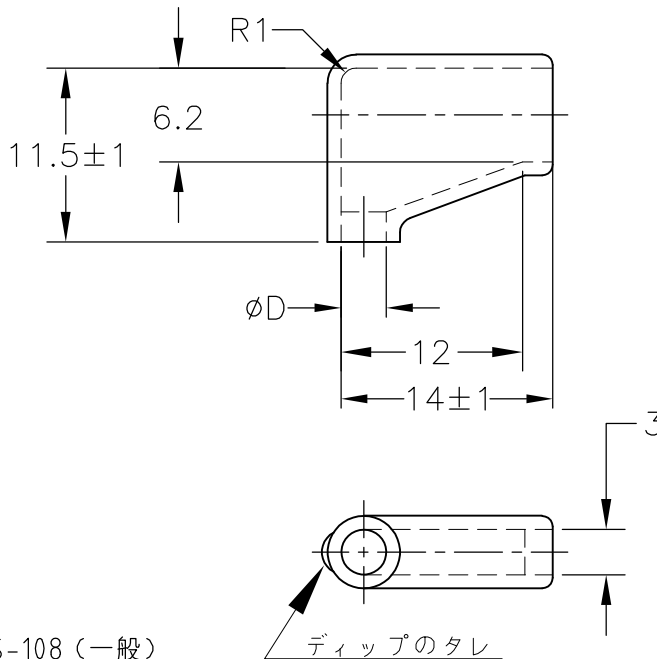
		24623204	5-170823-8	SEE 2 OF 13
		248550	5-170823-7	SEE 3 OF 13
		246230	5-170823-6	SEE 2 OF 13
		234025-4	5-170823-4	SEE 13 OF 13
	OBSOLETE	234028	5-170823-3	
	OBSOLETE	224222	5-170823-1	SEE 8 OF 13
△1	OBSOLETE	246232-1	5-170823-0	SEE 2 OF 13
	OBSOLETE	238040	4-170823-9	SEE 10 OF 13
	OBSOLETE	238025-2	4-170823-8	
	OBSOLETE	238025-1	4-170823-7	
△1	OBSOLETE	234025-3	4-170823-6	SEE 13 OF 13
	OBSOLETE	234025-2	4-170823-5	
	OBSOLETE	248525	4-170823-4	SEE 3 OF 13
△1	OBSOLETE	215025W	4-170823-3	SEE 6 OF 13
	OBSOLETE	236525W	4-170823-2	SEE 5 OF 13
		236525	4-170823-1	SEE 11 OF 13
	OBSOLETE	234025W	4-170823-0	SEE 5 OF 13
		246232	3-170823-8	SEE 2 OF 13
	OBSOLETE	230025W	3-170823-7	SEE 4 OF 13
	OBSOLETE	238025W	3-170823-6	SEE 5 OF 13
	△1 OBSOLETE	215028	3-170823-5	SEE 7 OF 13
		224228	3-170823-4	SEE 8 OF 13
		215032W	3-170823-3	SEE 6 OF 13
	OBSOLETE	238032-3	3-170823-2	SEE 10 OF 13
	OBSOLETE	238032-2	3-170823-1	
		SHINAGAWA SHOKO PN	PN	REMARK

X-170892-X	SEE 170892
X-170893-X	SEE 170893
X-170887-X	SEE 170887
X-170889-X	SEE 170889
X-170888-X	SEE 170888
X-170890-X	SEE 170890
X-170891-X	SEE 170891
PN	REMARK

△1 OBSOLETE PARTS: OBSOLETE CIS STREAMLINING PER D.RENAUD/D.SINISI

THIS DRAWING IS A CONTROLLED DOCUMENT.		DWN A. YAMAGUCHI 31AUG00	 TE Connectivity INSULATION SLEEVE				
DIMENSIONS: 単位: 耗 mm		CHK D. MATSUURA 31AUG00			NAME 名称		
TOLERANCES UNLESS OTHERWISE SPECIFIED: 一般公差		APVD K. BETSUI 31AUG00			PRODUCT SPEC 製品規格		
		APPLICATION SPEC 取付適用規格	SIZE	CAGE CODE	DRAWING NO 番号	RESTRICTED TO	
MATERIAL 材料		FINISH 仕上	WEIGHT	A3	00779	G-170823	—
CUSTOMER DRAWING			SCALE 尺度	1:1	SHEET 1 OF 13	REV H3	

LOC J	DIST —	REVISIONS 変更			DATE	DWN	APVD
		P	LTR	DESCRIPTION			
			—	SEE SHEET 1	—	—	—



1. 材質：SS-108（一般）
2. 一般公差：±0.5
3. 適用製品規格は無し
- △ 品川商工発行のカタログと本図で寸法が異なる場合は本図を優先する。
5. この製品の名称は旗型コネクタスリーブ187シリーズ

1. MATERIAL:SS-108(GENERAL)
2. GENERAL TOLERANCE: ±0.5
3. APPLICABLE PRODUCT SPEC NOT AVAILABLE
- △ IN THE EVENT OF CONFLICT BETWEEN THE REQUIREMENTS OF THIS CUSTOMER DRAWING AND THE SHINAGAWA SHOKO CO LTD CATALOG THIS CUSTOMER DRAWING SHALL TAKE PRECEDENCE
5. THIS PRODUCT NAME FLAG TYPE CONNECT SLEEVE FOR 187 SERIES
- △ OBSOLETE PARTS: OBSOLETE CIS STREAMLINING PER D.RENAUD/D.SINISI

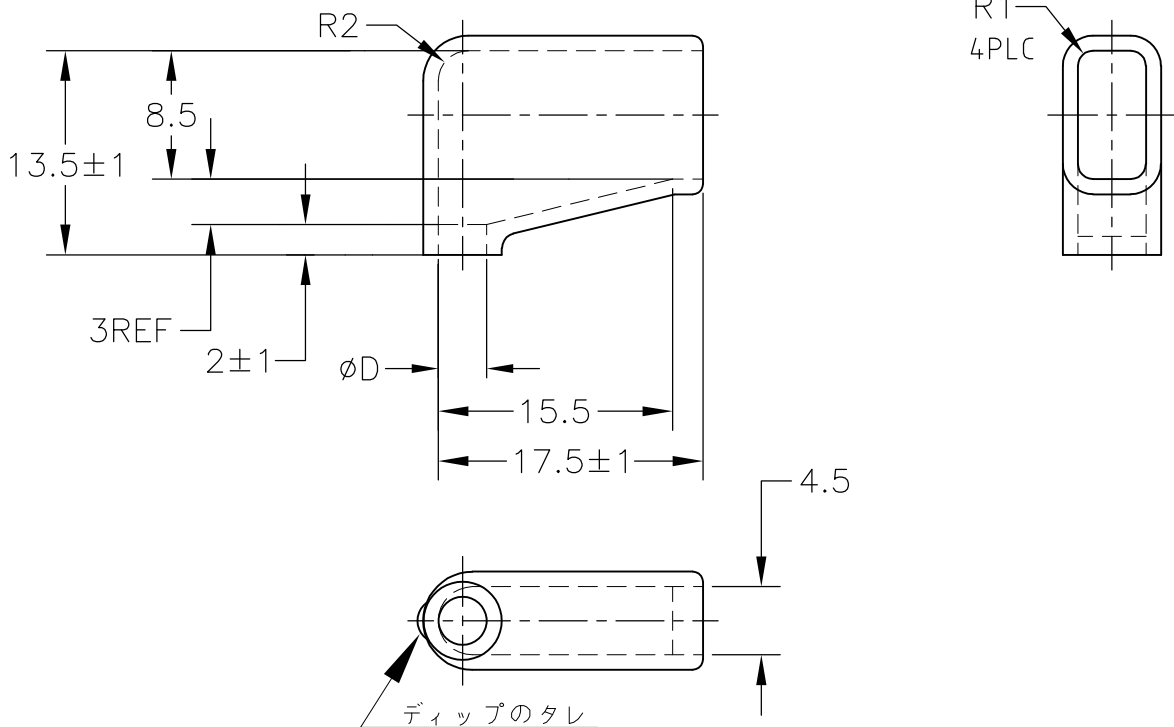
 OBSOLETE	BLACK	$1^{+0.3}_{-0.2}$	3.2	24623204	5-170823-8
	CLEAR		3	246230	5-170823-6
			3.2	246232-1	5-170823-0
			3.2	246232	3-170823-8
			2.5	246225	2-170823-8
COLOR	THICKNESS	φD	△ SHINAGAWA SHOKO PN	PART NUMBER	

THIS DRAWING IS UNPUBLISHED. ALL RIGHTS RESERVED.

COPYRIGHT - By -

DIMENSIONS: 単位：耗 mm	DWN A. YAMAGUCHI 31AUG00	MATERIAL 材料	FINISH 仕上			
	CHK D. MATSUURA 31AUG00	TE Connectivity				
TOLERANCES UNLESS OTHERWISE SPECIFIED: 一般公差	APVD K. BETSUI 31AUG00			NAME 名称 INSULATION SLEEVE		
	0 PLC ± - 1 PLC ± - 2 PLC ± - 3 PLC ± - 4 PLC ± - ANGLES ± -	PRODUCT SPEC 製品規格	SIZE A4	CAGE CODE 00779	DRAWING NO 番号 C-170823	RESTRICTED TO —
	APPLICATION SPEC 取付適用規格	WEIGHT	CUSTOMER DRAWING			
			SCALE 尺度	2:1	SHEET 2 OF 13	REV H3

LOC J	DIST —	REVISIONS 変更			DATE	DWN	APVD
		P	LTR	DESCRIPTION			
			—	SEE SHEET 1	—	—	—



1. 材質：SS-108（一般）
2. 一般公差：±0.5
3. 適用製品規格は無し
- △4 品川商工発行のカタログと本図で寸法が異なる場合は本図を優先する。
5. この製品の名称は旗型コネクタスリーブ 250シリーズ

1. MATERIAL:SS-108(GENERAL)
2. GENERAL TOLERANCE: ±0.5
3. APPLICABLE PRODUCT SPEC NOT AVAILABLE
- △4 IN THE EVENT OF CONFLICT BETWEEN THE REQUIREMENTS OF THIS CUSTOMER DRAWING AND THE SHINAGAWA SHOKO CO LTD CATALOG THIS CUSTOMER DRAWING SHALL TAKE PRECEDENCE
5. THIS PRODUCT NAME FLAG TYPE CONNECT SLEEVE FOR 250 SERIES
- △6 OBSOLETE PARTS: OBSOLETE CIS STREAMLINING PER D.RENAUD/D.SINISI

△6	OBSOLETE	CLEAR	1±0.3	5	248550	5-170823-7
	OBSOLETE			2.5	248525	4-170823-4
		COLOR	THICKNESS	φD	△ SHINAGAWA SHOKO PN	PART NUMBER

RELEASED FOR PUBLICATION

ALL RIGHTS RESERVED.

THIS DRAWING IS UNPUBLISHED.

COPYRIGHT - By -

DIMENSIONS:
単位： 耗
mm

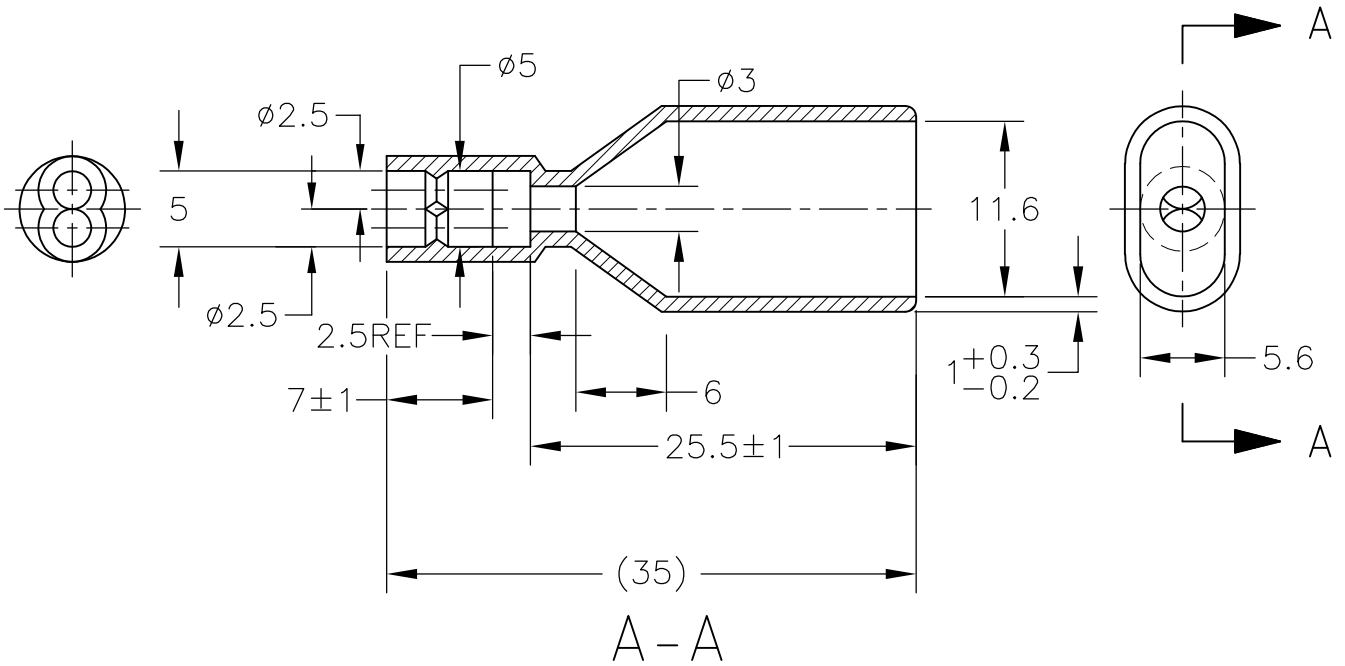
TOLERANCES UNLESS OTHERWISE SPECIFIED:
一般公差

0 PLC	± -
1 PLC	± -
2 PLC	± -
3 PLC	± -
4 PLC	± -
ANGLES	± -

DWN A. YAMAGUCHI	31AUG00
CHK D. MATSUURA	31AUG00
APVD K. BETSUI	31AUG00
PRODUCT SPEC 製品規格	—
APPLICATION SPEC 取付適用規格	—
WEIGHT	—

MATERIAL 材料	—	FINISH 仕上	—
TE		TE Connectivity	
NAME 名称 INSULATION SLEEVE			
SIZE	CAGE CODE	DRAWING NO 番号	RESTRICTED TO
A4	00779	170823	—
CUSTOMER DRAWING		SCALE 尺度	2:1
		SHEET	3 OF 13
		REV	H3

LOC J	DIST —	REVISIONS 変更			DATE	DWN	APVD
		P	LTR	DESCRIPTION			
				SEE SHEET 1	—	—	—



1. 材質：SS-108（一般）
2. 一般公差：±0.5
3. 適用製品規格は無し
4. 品川商工発行のカタログと本図で寸法が異なる場合は本図を優先する。
5. この製品の名称はコネクタスリーブAMP00シリーズ

1. MATERIAL:SS-108(GENERAL)
2. GENERAL TOLERANCE: ±0.5
3. APPLICABLE PRODUCT SPEC NOT AVAILABLE
4. IN THE EVENT OF CONFLICT BETWEEN THE REQUIREMENTS OF THIS CUSTOMER DRAWING AND THE SHINAGAWA SHOKO CO LTD CATALOG THIS CUSTOMER DRAWING SHALL TAKE PRECEDENCE
5. THIS PRODUCT NAME FLAG TYPE CONNECT SLEEVE AMP00 SERIES

OBSELETE	CLEAR	230025W	3-170823-7
	COLOR	SHINAGAWA SHOKO PN	PART NUMBER

DIMENSIONS: 単位： 耗 mm	DWN A. YAMAGUCHI 31AUG00	MATERIAL 材料	FINISH 仕上				
	CHK D. MATSUURA 31AUG00	TE Connectivity					
TOLERANCES UNLESS OTHERWISE SPECIFIED: 一般公差	APVD K. BETSUI 31AUG00			NAME 名称	INSULATION SLEEVE		
0 PLC ± - 1 PLC ± - 2 PLC ± - 3 PLC ± - 4 PLC ± - ANGLES ± -	PRODUCT SPEC 製品規格	SIZE	CAGE CODE	DRAWING NO 番号	RESTRICTED TO		
	APPLICATION SPEC 取付適用規格	A4	00779	C-170823	—		
	WEIGHT	CUSTOMER DRAWING		SCALE 尺度	2:1	SHEET 4 OF 13	REV H3

RELEASED FOR PUBLICATION

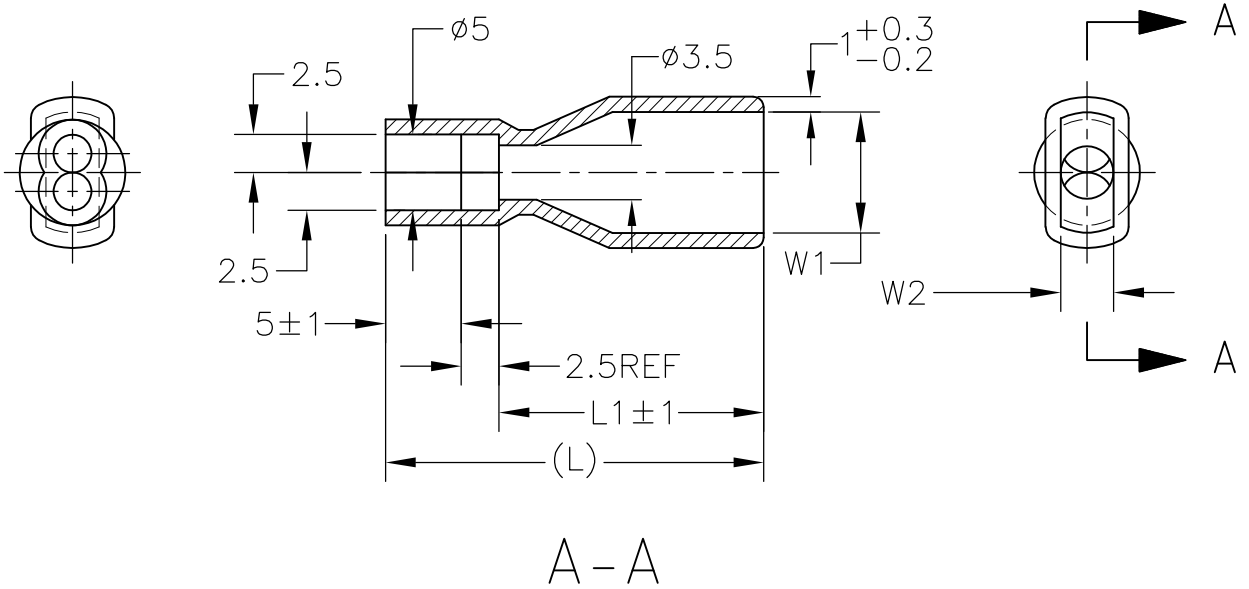
ALL RIGHTS RESERVED.

THIS DRAWING IS UNPUBLISHED.

By -

COPYRIGHT -

LOC J	DIST —	REVISIONS					
		P	LTR	DESCRIPTION	DATE	DWN	APVD
		—		SEE SHEET 1	—	—	—



1. 材質：SS-108（一般）
2. 一般公差：±0.5
3. 適用製品規格は無し
4. 品川商工発行のカタログと本図で寸法が異なる場合は本図を優先する。
5. この製品の名称はコネクタスリーブAMP00シリーズ

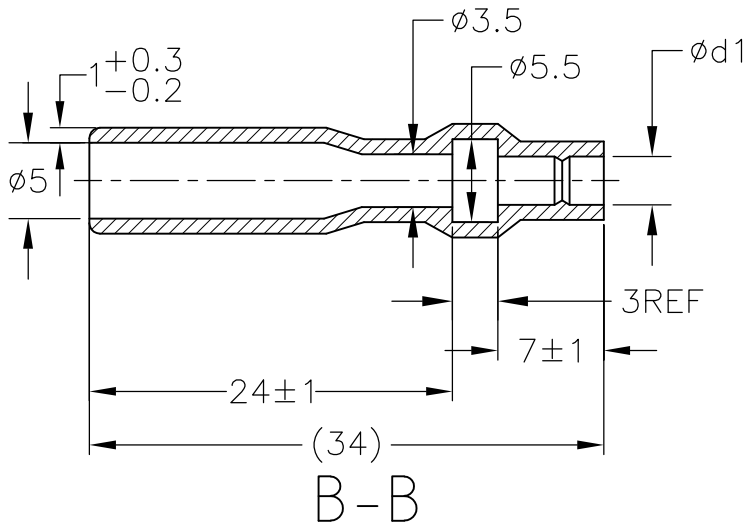
1. MATERIAL:SS-108(GENERAL)
2. GENERAL TOLERANCE: ±0.5
3. APPLICABLE PRODUCT SPEC NOT AVAILABLE
4. IN THE EVENT OF CONFLICT BETWEEN THE REQUIREMENTS OF THIS CUSTOMER DRAWING AND THE SHINAGAWA SHOKO CO LTD CATALOG THIS CUSTOMER DRAWING SHALL TAKE PRECEDENCE
5. THIS PRODUCT NAME FLAG TYPE CONNECT SLEEVE AMP00 SERIES

OBSOLETE	CLEAR	23	15.5	3	6.5	236525W	4-170823-2
OBSOLETE		21	13.5		4	234025W	4-170823-0
OBSOLETE		25	17.5	3.5	8	238025W	3-170823-6
	COLOR	L	L1	W2	W1	△ SHINAGAWA SHOKO PN	PART NUMBER

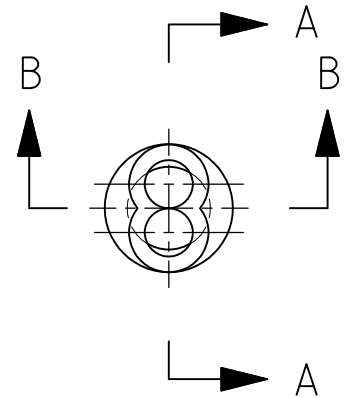
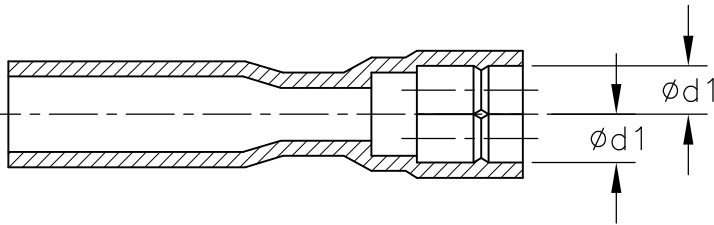
THIS DRAWING IS UNPUBLISHED. BY - COPYRIGHT -

DIMENSIONS: 単位： 耗 mm	DWN A. YAMAGUCHI 31AUG00	MATERIAL 材料	FINISH 仕上
	CHK D. MATSUURA 31AUG00	TE Connectivity	
TOLERANCES UNLESS OTHERWISE SPECIFIED: 一般公差	APVD K. BETSUI 31AUG00		
	0 PLC ± - 1 PLC ± - 2 PLC ± - 3 PLC ± - 4 PLC ± - ANGLES ± -	PRODUCT SPEC 製品規格	SIZE A4
	APPLICATION SPEC 取付適用規格	DRAWING NO 番号 C-170823	RESTRICTED TO —
	WEIGHT	CUSTOMER DRAWING	
		SCALE 尺度	2:1
		SHEET	5 OF 13
		REV	H3

LOC J	DIST —	REVISIONS 変更			DATE	DWN	APVD
		P	LTR	DESCRIPTION			
				SEE SHEET 1	—	—	—



ROTATED CW 90°



1. 材質：SS-108 (一般)
 2. 一般公差：±0.5
 3. 適用製品規格は無し
 4. 品川商工発行のカタログと本図で寸法が異なる場合は本図を優先する。
 5. この製品の名称はコネクタスリーブ 5DIAシリーズシュワープラグ リセプタクル

1. MATERIAL:SS-108(GENERAL)
 2. GENERAL TOLERANCE: ±0.5
 3. APPLICABLE PRODUCT SPEC NOT AVAILABLE
 4. IN THE EVENT OF CONFLICT BETWEEN THE REQUIREMENTS OF THIS CUSTOMER DRAWING AND THE SHINAGAWA SHOKO CO LTD CATALOG THIS CUSTOMER DRAWING SHALL TAKE PRECEDENCE
 5. THIS PRODUCT NAME : CONNECT SLEEVE 5DIA SERIES SHUR PLUG RECEPTACLE
 6. OBSOLETE PARTS: OBSOLETE CIS STREAMLINING PER D.RENAUD/D.SINISI

⚠ OBSOLETE	CLEAR	2.5	215025W	4-170823-3
		3.2	215032W	3-170823-3
	COLOR	φd1	⚠ SHINAGAWA SHOKO PN	PART NUMBER

RELEASED FOR PUBLICATION

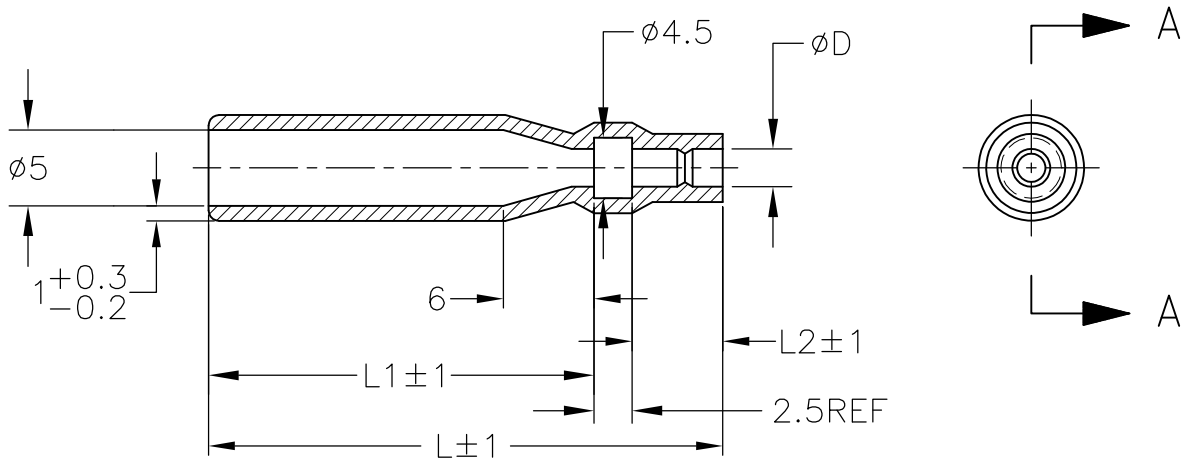
ALL RIGHTS RESERVED.

THIS DRAWING IS UNPUBLISHED.

By -
COPYRIGHT -

DIMENSIONS: 単位：耗 mm	DWN A. YAMAGUCHI 31AUG00	MATERIAL 材料	FINISH 仕上
	CHK D. MATSUURA 31AUG00	TE Connectivity	
TOLERANCES UNLESS OTHERWISE SPECIFIED: 一般公差	APVD K. BETSUI 31AUG00	INSULATION SLEEVE	
	PRODUCT SPEC 製品規格	NAME 名称	RESTRICTED TO
0 PLC ± - 1 PLC ± - 2 PLC ± - 3 PLC ± - 4 PLC ± - ANGLES ± -	APPLICATION SPEC 取付適用規格	SIZE A4	CAGE CODE 00779
	WEIGHT	DRAWING NO 番号 C-170823	—
CUSTOMER DRAWING		SCALE 尺度	2:1
		SHEET	6 OF 13
		REV	H3

LOC J	DIST —	REVISIONS 変更			DATE	DWN	APVD
		P	LTR	DESCRIPTION			
			—	SEE SHEET 1	—	—	—



A - A

1. 材質：SS-108（一般）
2. 一般公差：±0.5
3. 適用製品規格は無し
- △ 品川商工発行のカタログと本図で寸法が異なる場合は本図を優先する。
5. この製品の名称はコネクタスリーブ 5DIA シリーズ シュワープラグリセプタクル

1. MATERIAL:SS-108(GENERAL)
2. GENERAL TOLERANCE: ±0.5
3. APPLICABLE PRODUCT SPEC NOT AVAILABLE
- △ IN THE EVENT OF CONFLICT BETWEEN THE REQUIREMENTS OF THIS CUSTOMER DRAWING AND THE SHINAGAWA SHOKO CO LTD CATALOG THIS CUSTOMER DRAWING SHALL TAKE PRECEDENCE
5. THIS PRODUCT NAME FLAG TYPE CONNECT SLEEVE 5DIA SERIES SHUR PLUG RECEPTACLE
- △ OBSOLETE PARTS: OBSOLETE CIS STREAMLINING PER D.RENAUD/D.SINISI

△ OBSOLETE	CLEAR	33	6	24.5	2.8	215028	3-170823-5
		47	7	37.5	3.2	215032-1	2-170823-9
	COLOR	L	L2	L1	φD	△ SHINAGAWA SHOKO PN	PART NUMBER

RELEASED FOR PUBLICATION

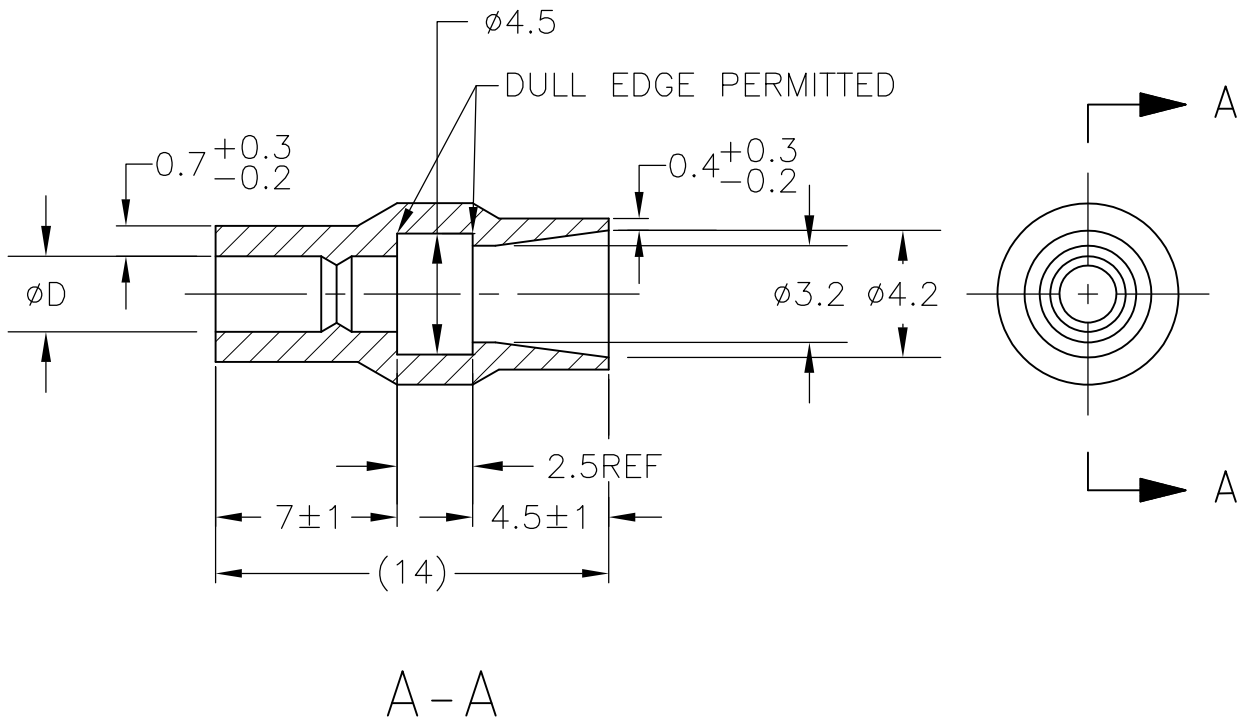
ALL RIGHTS RESERVED.

THIS DRAWING IS UNPUBLISHED.

COPYRIGHT - By -

DIMENSIONS: 単位：耗 mm	DWN A. YAMAGUCHI	31AUG00	MATERIAL 材料	FINISH 仕上		
	CHK D. MATSUURA	31AUG00	TE Connectivity			
TOLERANCES UNLESS OTHERWISE SPECIFIED: 一般公差	APVD K. BETSUI	31AUG00				NAME 名称 INSULATION SLEEVE
0 PLC ± -	PRODUCT SPEC 製品規格		SIZE	CAGE CODE	DRAWING NO 番号	RESTRICTED TO —
1 PLC ± -	APPLICATION SPEC 取付適用規格		A4	00779	170823	
2 PLC ± -	WEIGHT		CUSTOMER DRAWING			SCALE 尺度
3 PLC ± -			SCALE 2:1			SHEET 7 OF 13
4 PLC ± -			SCALE 2:1			REV H3
ANGLES ± -			SCALE 2:1			REV H3

LOC J	DIST —	REVISIONS 変更			DATE	DWN	APVD
		P	LTR	DESCRIPTION			
			—	SEE SHEET 1	—	—	—



1. 材質：SS-108（一般）
2. 一般公差：±0.5
3. 適用製品規格は無し
- △4 品川商工発行のカタログと本図で寸法が異なる場合は本図を優先する。
5. この製品の名称はコネクタスリーブ 5DIAシリーズシュワープラグ

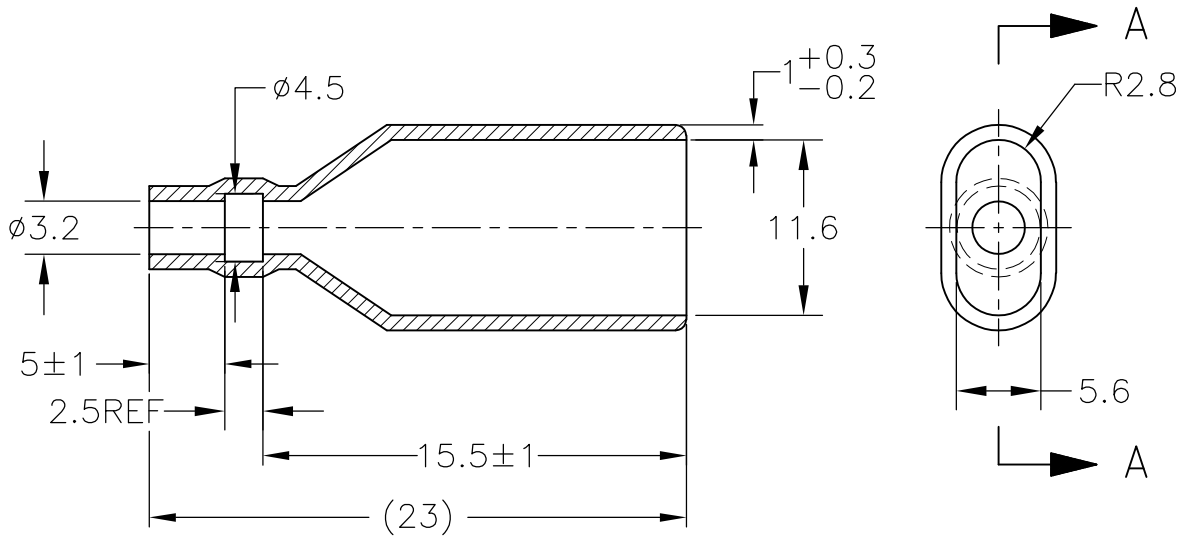
1. MATERIAL:SS-108(GENERAL)
2. GENERAL TOLERANCE: ±0.5
3. APPLICABLE PRODUCT SPEC NOT AVAILABLE
- △4 IN THE EVENT OF CONFLICT BETWEEN THE REQUIREMENTS OF THIS CUSTOMER DRAWING AND THE SHINAGAWA SHOKO CO LTD CATALOG THIS CUSTOMER DRAWING SHALL TAKE PRECEDENCE
5. THIS PRODUCT NAME CONNECT SLEEVE 5DIA SERIES SHUR PLUG
- △6 OBSOLETE PARTS: OBSOLETE CIS STREAMLINING PER D.RENAUD/D.SINISI

△6	OBSOLETE	CLEAR	2.2	224222	5-170823-1
	OBSOLETE		2.8	224228	3-170823-4
		COLOR	φ D	△ SHINAGAWA SHOKO PN	PART NUMBER

THIS DRAWING IS UNPUBLISHED. © COPYRIGHT - By - ALL RIGHTS RESERVED.

DIMENSIONS: 単位： 耗 mm	DWN A. YAMAGUCHI 31AUG00	MATERIAL 材料 —	FINISH 仕上 —			
	CHK D. MATSUURA 31AUG00	TE Connectivity				
TOLERANCES UNLESS OTHERWISE SPECIFIED: 一般公差	APVD K. BETSUI 31AUG00			NAME 名称 INSULATION SLEEVE		
0 PLC ± - 1 PLC ± - 2 PLC ± - 3 PLC ± - 4 PLC ± - ANGLES ± -	PRODUCT SPEC 製品規格 —	SIZE A4	CAGE CODE 00779	DRAWING NO 番号 C-170823	RESTRICTED TO —	
	APPLICATION SPEC 取付適用規格 —	WEIGHT —		SCALE 尺度 4:1	SHEET 8 OF 13	REV H3
	CUSTOMER DRAWING					

LOC J	DIST —	REVISIONS 変更				DATE	DWN	APVD
		P	LTR	DESCRIPTION				
			—	SEE SHEET 1		—	—	—



A-A

1. 材質：SS-108（一般）
2. 一般公差：±0.5
3. 適用製品規格は無し
- △4 品川商工発行のカタログと本図で寸法が異なる場合は本図を優先する。
5. この製品の名称はコネクトスリーブ AMP00シリーズ

1. MATERIAL:SS-108(GENERAL)
2. GENERAL TOLERANCE: ±0.5
3. APPLICABLE PRODUCT SPEC NOT AVAILABLE
- △4 IN THE EVENT OF CONFLICT BETWEEN THE REQUIREMENTS OF THIS CUSTOMER DRAWING AND THE SHINAGAWA SHOKO CO LTD CATALOG THIS CUSTOMER DRAWING SHALL TAKE PRECEDENCE
5. THIS PRODUCT NAME FLAG TYPE CONNECT SLEEVE AMP00 SERIES
- △6 OBSOLETE PARTS: OBSOLETE CIS STREAMLINING PER D.RENAUD/D.SINISI

△6 OBSOLETE	CLEAR	230032-1	2-170823-1
	COLOR	△ SHINAGAWA SHOKO PN	PART NUMBER

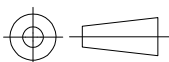
RELEASED FOR PUBLICATION

ALL RIGHTS RESERVED.

THIS DRAWING IS UNPUBLISHED.

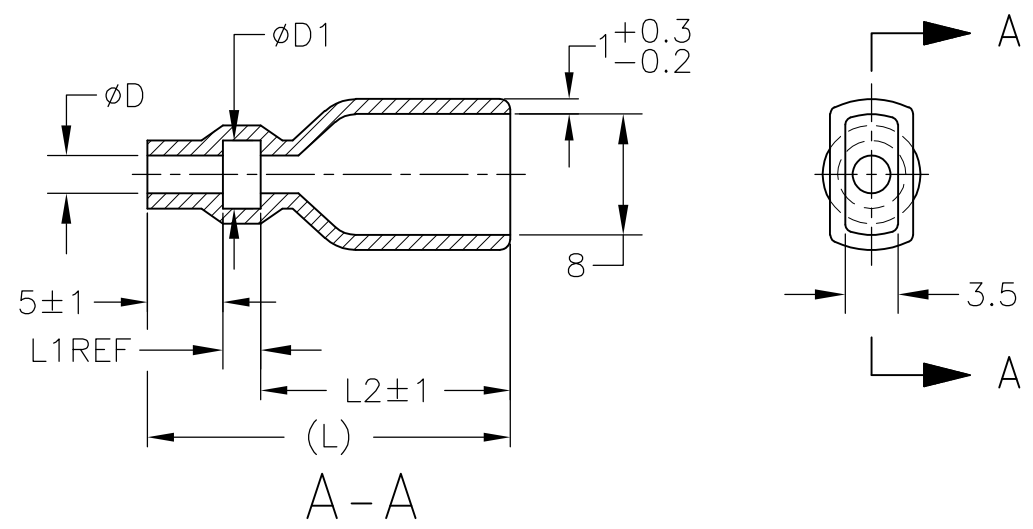
COPYRIGHT - By -

DIMENSIONS: 単位：耗 mm	DWN A. YAMAGUCHI 31AUG00	MATERIAL 材料 —	FINISH 仕上 —
	CHK D. MATSUURA 31AUG00	TE Connectivity	
TOLERANCES UNLESS OTHERWISE SPECIFIED: 一般公差	APVD K. BETSUI 31AUG00		
0 PLC ± -	PRODUCT SPEC 製品規格 —	SIZE A4	CAGE CODE 00779
1 PLC ± -	APPLICATION SPEC 取付適用規格 —	DRAWING NO 番号 C-170823	RESTRICTED TO —
2 PLC ± -	WEIGHT —	SCALE 尺度 2:1	SHEET 9 OF 13
3 PLC ± -	CUSTOMER DRAWING	REV H3	
4 PLC ± -			
ANGLES ± -			



THIS DRAWING IS UNPUBLISHED. RELEASED FOR PUBLICATION
 © COPYRIGHT - By - ALL RIGHTS RESERVED.

LOC	DIST	REVISIONS					
		P	LTR	DESCRIPTION	DATE	DWN	APVD
J	-	-	-	SEE SHEET 1	-	-	-

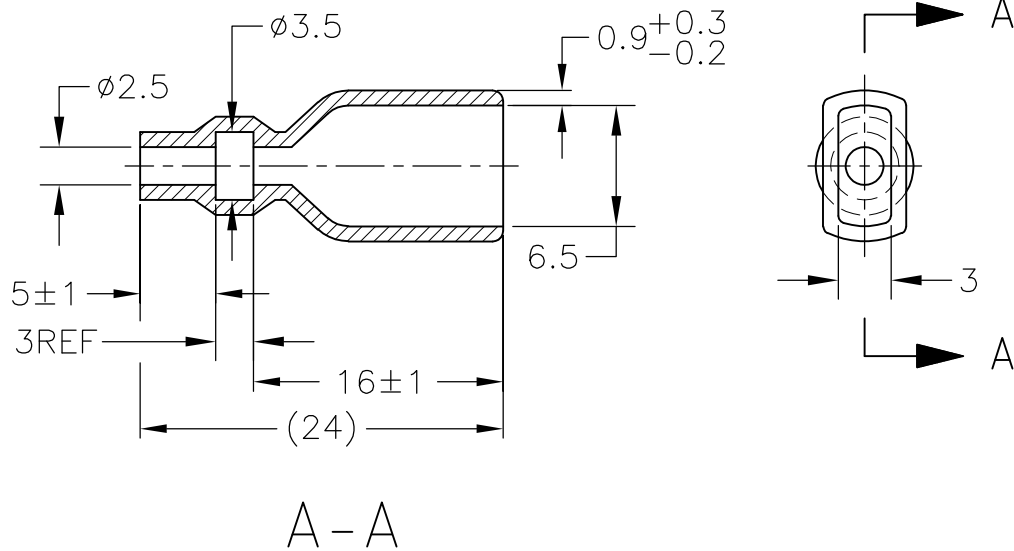


- 1. 材質：SS-108（一般）
- 2. 一般公差：±0.5
- 3. 適用製品規格は無し
- ⚠ 品川商工発行のカタログと本図で寸法が異なる場合は本図を優先する。
- 1. MATERIAL:SS-108(GENERAL)
- 2. GENERAL TOLERANCE: ±0.5
- 3. APPLICABLE PRODUCT SPEC NOT AVAILABLE
- ⚠ IN THE EVENT OF CONFLICT BETWEEN THE REQUIREMENTS OF THIS CUSTOMER DRAWING AND THE SHINAGAWA SHOKO CO LTD CATALOG THIS CUSTOMER DRAWING SHALL TAKE PRECEDENCE
- ⚠ OBSOLETE PARTS: OBSOLETE CIS STREAMLINING PER D.RENAUD/D.SINISI

OBSOLETE	YELLOW	24	16.5	2.5	4.5	2.5	238025-2	4-170823-8
OBSOLETE	RED					2.5	238025-1	4-170823-7
OBSOLETE	CLEAR	25	17.5	3	5	4	238040	4-170823-9
OBSOLETE	BROWN						238032-3	3-170823-2
OBSOLETE	BLUE	24.5	17.0	2.5	4.7	3.2	238032-2	3-170823-1
⚠ OBSOLETE	CLEAR		16.5			3.5	238035-3	2-170823-7
		40.5	32.5	3	4.5		238035-2	2-170823-0
		35.5	27.5			3.5	238035-1	1-170823-9
		27	19.5	2.5	4.7	3.2	238032-1	1-170823-8
⚠ OBSOLETE			45	37.5	3	3.2	2	238020-1
		25	17.5	2.5	5.3	3.8	238038	1-170823-6
⚠ OBSOLETE		24	16.0	3	4.5	3.5	238035	1-170823-5
		27	19.5		7.5	6	238060	1-170823-7
		25	17.5	2.5	6.3	4.8	238048	170823-6
			16.5		4.7	3.2	238032	170823-4
		24		3	3.2	2	238020	170823-3
			16.0	3	4.5	2.5	238025	170823-2
	COLOR	L	L2	L1	phi D1	phi D	SHINAGAWA SHOKO PN	PART NUMBER

THIS DRAWING IS A CONTROLLED DOCUMENT.		DWN A. YAMAGUCHI 31AUG00	STE TE Connectivity	
DIMENSIONS: 単位：mm		CHK D. MATSUURA 31AUG02		
TOLERANCES UNLESS OTHERWISE SPECIFIED: 一般公差		APVD K. BETSUI 31AUG02	NAME 名称	
0 PLC ± -		PRODUCT SPEC 製品規格		
1 PLC ± -		APPLICATION SPEC 取付適用規格		
2 PLC ± -		SIZE	CAGE CODE	DRAWING NO 番号
3 PLC ± -		A3 00779 C-170823		
4 PLC ± -		RESTRICTED TO		
ANGLES ± -		SCALE 尺度 2:1		
FINISH 仕上		SHEET 10 OF 13		
MATERIAL 材料		REV H3		
		CUSTOMER DRAWING		


LOC J	DIST —	REVISIONS 変更				DATE	DWN	APVD
		P	LTR	DESCRIPTION				
		—	—	SEE SHEET 1	—	—	—	



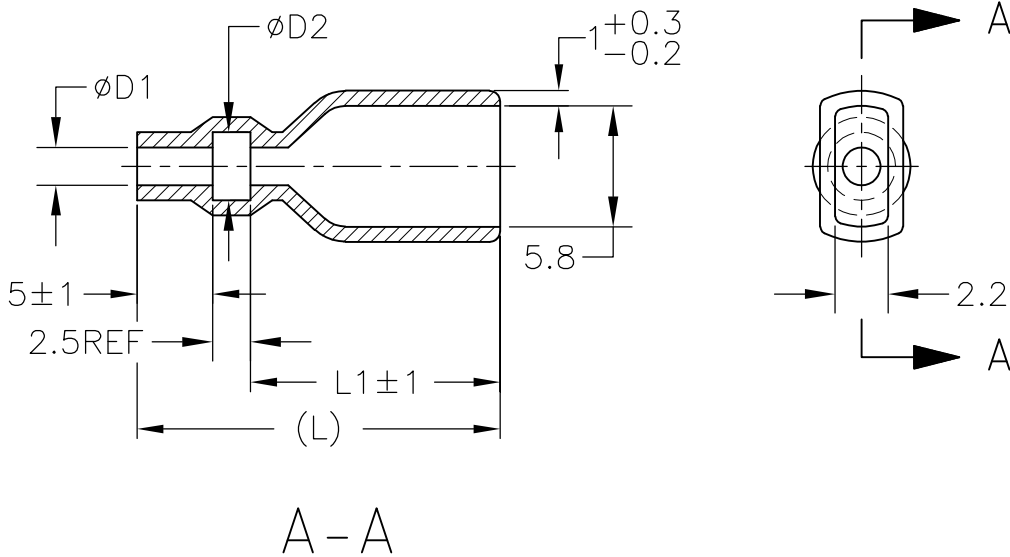
1. 材質：SS-108（一般）
2. 一般公差：±0.5
3. 適用製品規格は無し
- ⚠ 品川商工発行のカタログと本図で寸法が異なる場合は本図を優先する。
5. この製品の名称はコネクタスリーブAMP205シリーズ

1. MATERIAL:SS-108(GENERAL)
2. GENERAL TOLERANCE: ±0.5
3. APPLICABLE PRODUCT SPEC NOT AVAILABLE
- ⚠ IN THE EVENT OF CONFLICT BETWEEN THE REQUIREMENTS OF THIS CUSTOMER DRAWING AND THE SHINAGAWA SHOKO CO LTD CATALOG THIS CUSTOMER DRAWING SHALL TAKE PRECEDENCE
5. THIS PRODUCT NAME FLAG TYPE CONNECT SLEEVE AMP205 SERIES

CLEAR	236525	4-170823-1
COLOR	△ SHINAGAWA SHOKO PN	PART NUMBER

DIMENSIONS: 単位： 耗 mm	DWN A. YAMAGUCHI	31AUG00	MATERIAL 材料	FINISH 仕上
	CHK D. MATSUURA	31AUG00	 TE Connectivity	
TOLERANCES UNLESS OTHERWISE SPECIFIED: 一般公差	APVD K. BETSUI	31AUG00		
	PRODUCT SPEC 製品規格	SIZE		
0 PLC ± -	APPLICATION SPEC 取付適用規格	CAGE CODE	DRAWING NO 番号	RESTRICTED TO
1 PLC ± -	WEIGHT	A4	00779	—
2 PLC ± -	CUSTOMER DRAWING			SCALE 尺度
3 PLC ± -	SCALE 2:1			SHEET 11 OF 13
4 PLC ± -	SCALE 2:1			REV H3
ANGLES ± -	SCALE 2:1			REV H3

LOC J	DIST —	REVISIONS 変更				DATE	DWN	APVD
		P	LTR	DESCRIPTION				
		—	—	SEE SHEET 1	—	—	—	



- 1. 材質：SS-108（一般）
- 2. 一般公差：±0.5
- 3. 適用製品規格は無し
- △4 品川商工発行のカタログと本図で寸法が異なる場合は本図を優先する。
- 5. この製品の名称はコネクタスリーブ AMP187シリーズ

- 1. MATERIAL:SS-108(GENERAL)
- 2. GENERAL TOLERANCE: ±0.5
- 3. APPLICABLE PRODUCT SPEC NOT AVAILABLE
- △4 IN THE EVENT OF CONFLICT BETWEEN THE REQUIREMENTS OF THIS CUSTOMER DRAWING AND THE SHINAGAWA SHOKO CO LTD CATALOG THIS CUSTOMER DRAWING SHALL TAKE PRECEDENCE
- 5. THIS PRODUCT NAME FLAG TYPE CONNECT SLEEVE AMP187 SERIES
- △6 OBSOLETE PARTS: OBSOLETE CIS STREAMLINING PER D.RENAUD/D.SINISI

△6 OBSOLETE	CLEAR	23	15.5	3.3	1.8	235818	2-170823-5
		20	12.5	3.5	2.5	235825-1	1-170823-4
		23	15.5	3.7	2.2	235822	1-170823-3
	COLOR	L	L1	φD2	φD1	△ SHINAGAWA SHOKO PN	PART NUMBER

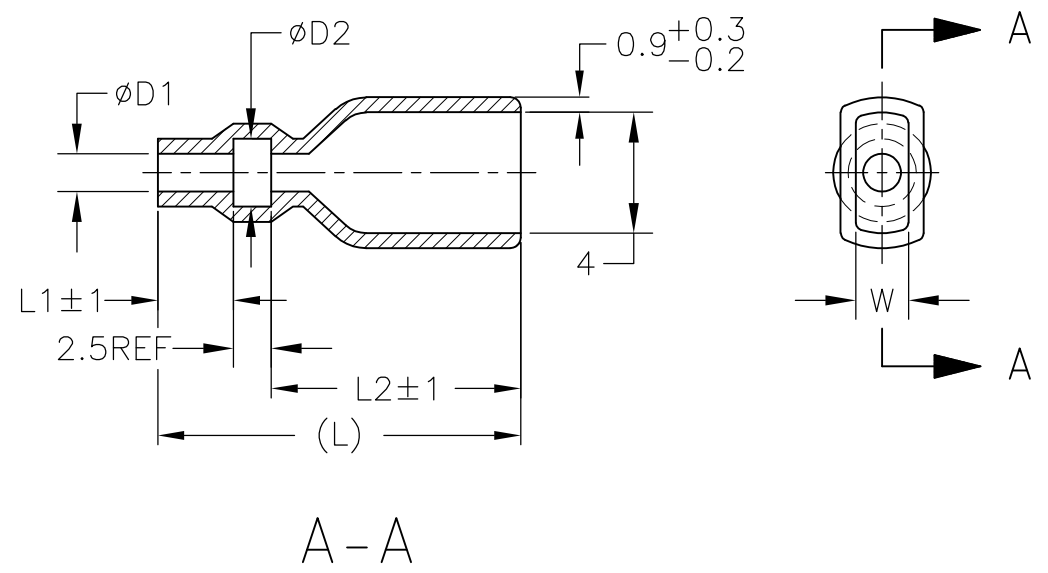
THIS DRAWING IS UNPUBLISHED. RELEASED FOR PUBLICATION. ALL RIGHTS RESERVED.

COPYRIGHT - By -

DIMENSIONS: 単位：耗 mm	DWN A. YAMAGUCHI 31AUG00	MATERIAL 材料	FINISH 仕上		
	CHK D. MATSUURA 31AUG00	TE Connectivity			
TOLERANCES UNLESS OTHERWISE SPECIFIED: 一般公差	APVD K. BETSUI 31AUG00			NAME 名称 INSULATION SLEEVE	
	PRODUCT SPEC 製品規格	SIZE A4	CAGE CODE 00779	DRAWING NO 番号 C-170823	RESTRICTED TO —
0 PLC ± - 1 PLC ± - 2 PLC ± - 3 PLC ± - 4 PLC ± - ANGLES ± -	APPLICATION SPEC 取付適用規格	SCALE 尺度 2:1		SHEET 12 OF 13	REV H3
WEIGHT		CUSTOMER DRAWING			

THIS DRAWING IS UNPUBLISHED. RELEASED FOR PUBLICATION
 © COPYRIGHT - By - ALL RIGHTS RESERVED.

LOC	DIST	REVISIONS 変更					
J	-	P	LTR	DESCRIPTION	DATE	DWN	APVD
		-		SEE SHEET 1	-	-	-



- 1. 材質：SS-108（一般）
- 2. 一般公差：±0.5
- 3. 適用製品規格は無し
- △4 品川商工発行のカタログと本図で寸法が異なる場合は本図を優先する。
- 1. MATERIAL:SS-108(GENERAL)
- 2. GENERAL TOLERANCE: ±0.5
- 3. APPLICABLE PRODUCT SPEC NOT AVAILABLE
- △4 IN THE EVENT OF CONFLICT BETWEEN THE REQUIREMENTS OF THIS CUSTOMER DRAWING AND THE SHINAGAWA SHOKO CO LTD CATALOG THIS CUSTOMER DRAWING SHALL TAKE PRECEDENCE
- △5 OBSOLETE PARTS: OBSOLETE CIS STREAMLINING PER D.RENAUD/D.SINISI

△5	OBSOLETE	CLEAR	37	29.5	5	3.5	2.5	2	234025-4	5-170823-4		
	OBSOLETE					4.3	2.8	2.1	234028	5-170823-3		
△5	OBSOLETE	YELLOW	21	13.5		3.5	2.5	2	234025-3	4-170823-6		
	OBSOLETE					RED					234025-2	4-170823-5
		BLACK				3.3	1.8	2.1	234018-4	2-170823-4		
	OBSOLETE	CLEAR	23	15.5		3.5	2.5		234025-1	2-170823-3		
△5	OBSOLETE							3.8	3	2	234030-1	2-170823-2
								3.4	1.8	2.1	234018-2	1-170823-2
											234018-1	1-170823-1
						3.8	3	2	234030	1-170823-0		
					3.3	1.8	2.1	234018	170823-9			
					18	12.5		3	2.8	1.6	234016	170823-8
					21	13.5	5	3.5	2.5	2	234025	170823-1
		COLOR	L	L2	L1	φ d2	φ d1	W	SHINAGAWA SHOKO PN	PART NUMBER		

THIS DRAWING IS A CONTROLLED DOCUMENT.		DWN A. YAMAGUCHI 31AUG00	STE TE Connectivity				
DIMENSIONS: 単位： 耗 mm		CHK D. MATSUURA 31AUG02					
TOLERANCES UNLESS OTHERWISE SPECIFIED: 一般公差		APVD K. BETSUI 31AUG02	NAME 名称				
0 PLC ± - 1 PLC ± - 2 PLC ± - 3 PLC ± - 4 PLC ± - ANGLES ± -		PRODUCT SPEC 製品規格	INSULATION SLEEVE				
MATERIAL 材料		FINISH 仕上	APPLICATION SPEC 取付適用規格	SIZE	CAGE CODE	DRAWING NO 番号	RESTRICTED TO
			WEIGHT	A3	00779	G-170823	-
CUSTOMER DRAWING			SCALE 尺度	2:1	SHEET 13 OF 13	REV H3	

Данный компонент на территории Российской Федерации

Вы можете приобрести в компании MosChip.

Для оперативного оформления запроса Вам необходимо перейти по данной ссылке:

<http://moschip.ru/get-element>

Вы можете разместить у нас заказ для любого Вашего проекта, будь то серийное производство или разработка единичного прибора.

В нашем ассортименте представлены ведущие мировые производители активных и пассивных электронных компонентов.

Нашей специализацией является поставка электронной компонентной базы двойного назначения, продукции таких производителей как XILINX, Intel (ex.ALTERA), Vicor, Microchip, Texas Instruments, Analog Devices, Mini-Circuits, Amphenol, Glenair.

Сотрудничество с глобальными дистрибьюторами электронных компонентов, предоставляет возможность заказывать и получать с международных складов практически любой перечень компонентов в оптимальные для Вас сроки.

На всех этапах разработки и производства наши партнеры могут получить квалифицированную поддержку опытных инженеров.

Система менеджмента качества компании отвечает требованиям в соответствии с ГОСТ Р ИСО 9001, ГОСТ РВ 0015-002 и ЭС РД 009

Офис по работе с юридическими лицами:

105318, г.Москва, ул.Щербаковская д.3, офис 1107, 1118, ДЦ «Щербаковский»

Телефон: +7 495 668-12-70 (многоканальный)

Факс: +7 495 668-12-70 (доб.304)

E-mail: info@moschip.ru

Skype отдела продаж:

moschip.ru

moschip.ru_4

moschip.ru_6

moschip.ru_9