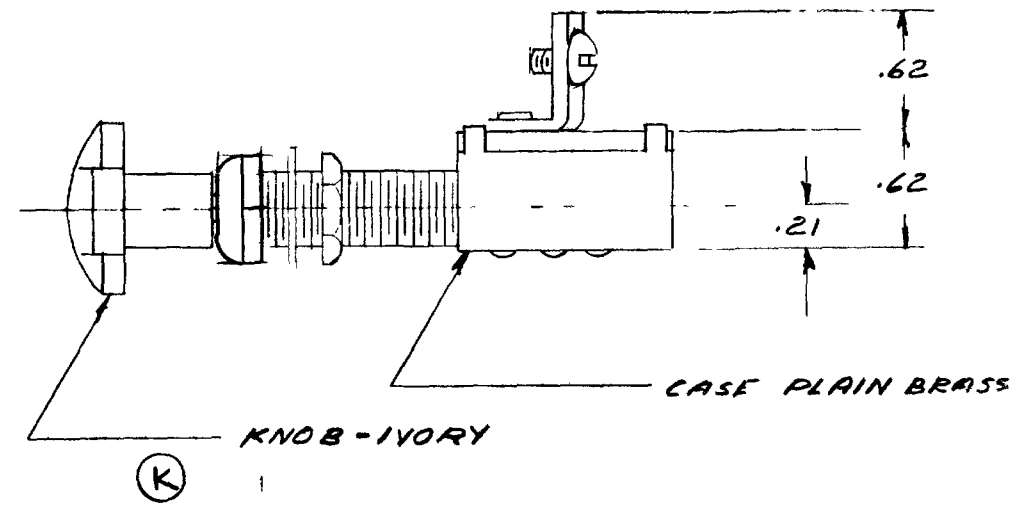
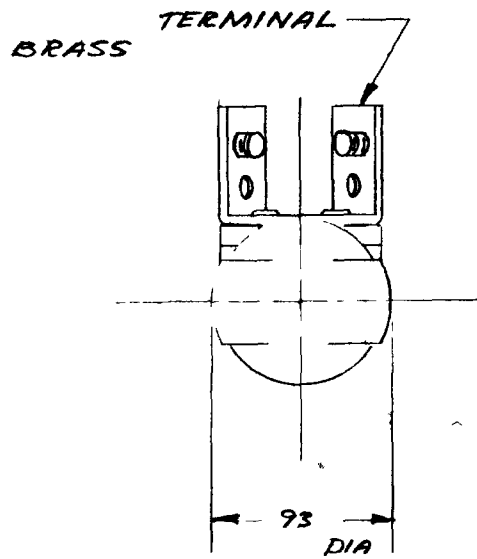
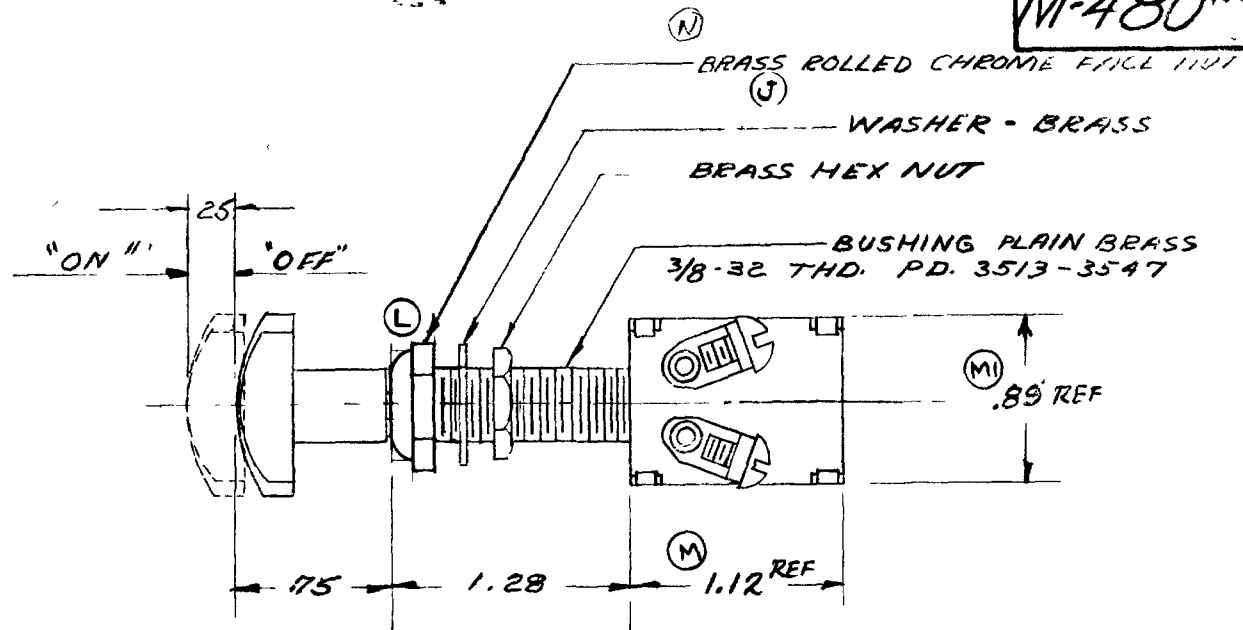


COLE-HERSEE CO.

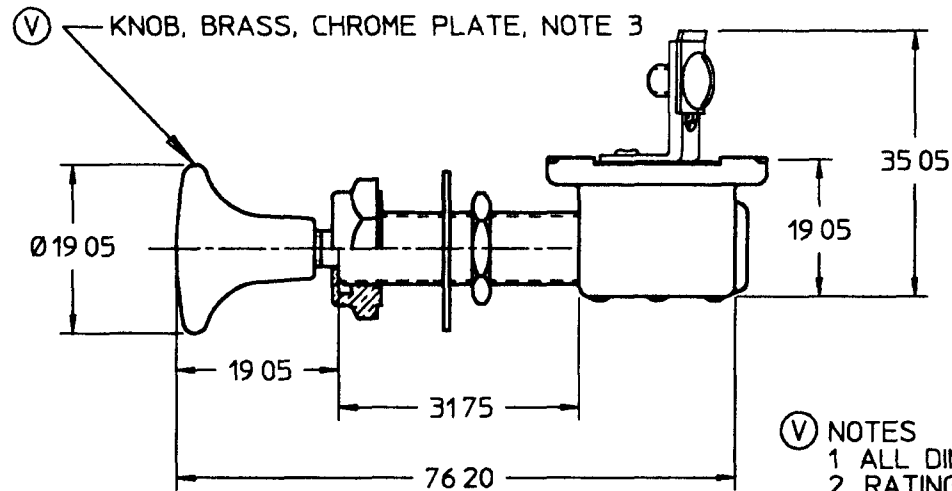
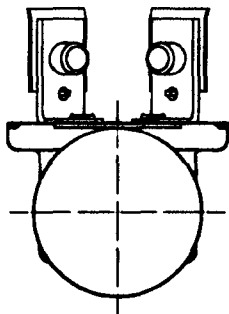
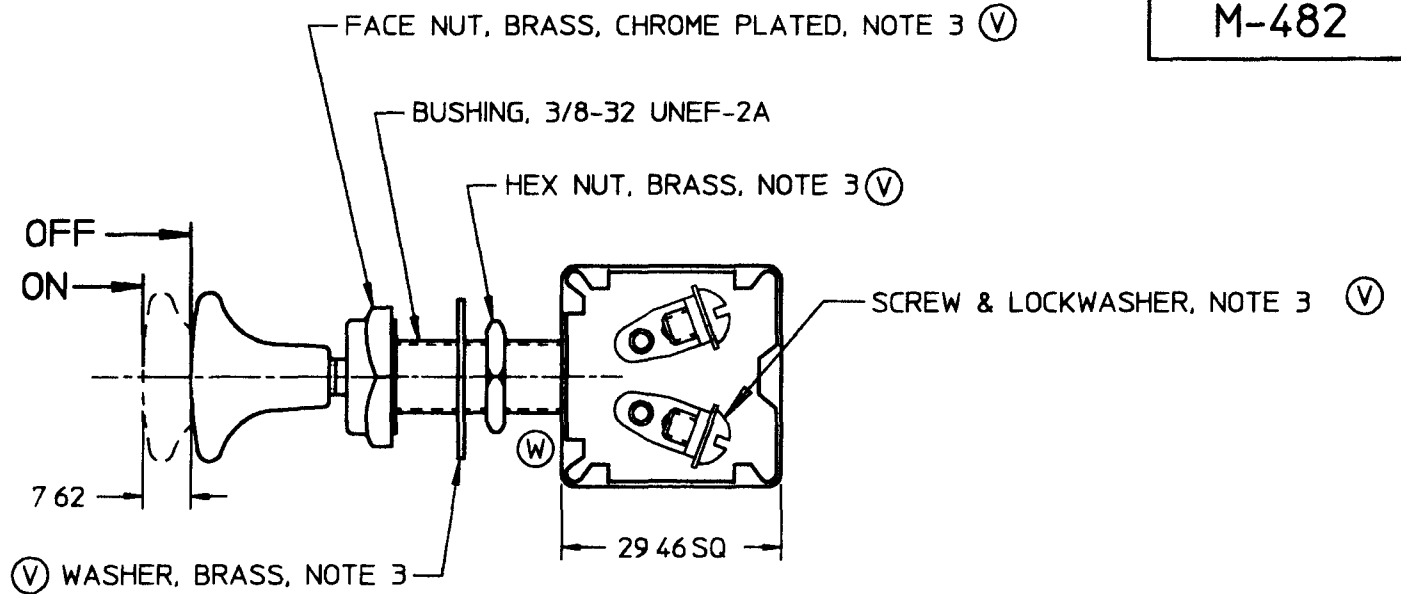
M-480 REV



LET	WAS	DATE	BY	LET	WAS	DATE	BY	MATERIAL	DRAWN	CHECKED	APPR V D	SCALE	USED ON	DATE DRAWN
				M	1.25	17578	1-11-72	RI		E.P.	J.S.	AWB	1=1	3-8-50
				M1	.84									
				L	NEW FACE NUT	17016	7-27-70	JH	FINISH					DATE ISSUED
				K	8162	1A162	6-8-64	EA						
				J	BRASS	11102	11-15-60	EA						
N	R302	119564	5-16-7	JH	H	REVISED REDUCTION	4-21-60	EA	TOLERANCES	NAME				PART NO
									FRACTIONAL ± .15	PUSH PULL SWITCH				M-480 REV
									DECIMAL ± .010					

MM	IN
7 62	0 300
19 05	0 750
29 46	1 160
31 75	1 250
35 05	1 380
76 20	3 000

M-482



- (V) NOTES
 1 ALL DIMENSIONS ARE REFERENCE
 2 RATING 12 VDC, 10 AMPS
 (X) 3 KNOB AND HARDWARE SHIPPED LOOSE

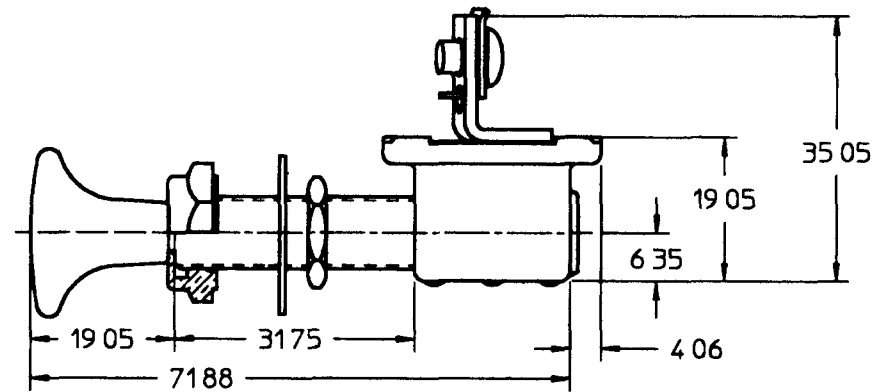
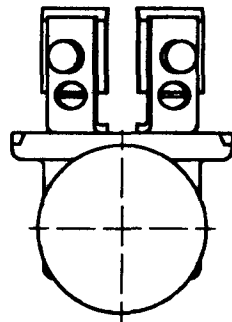
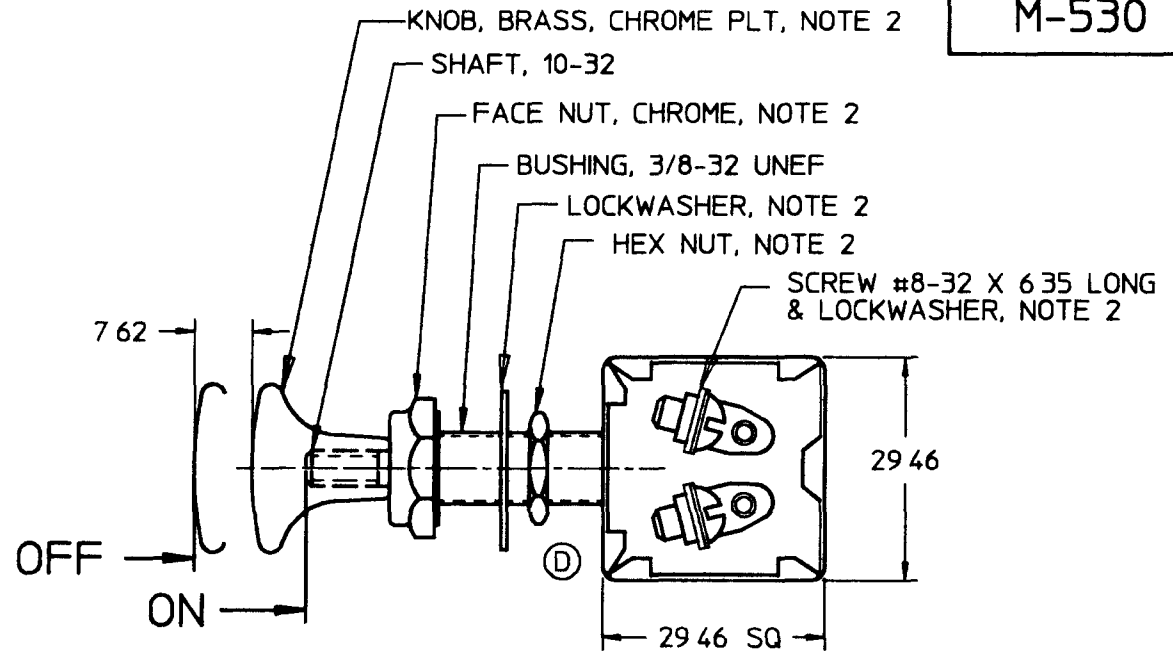
METRIC

DO NOT SCALE

LET	WAS	DATE	BY	LET	WAS	DATE	BY	MATERIAL	DRAWN	CHK	APVD	SCALE	DATE DRAWN
									EA	DB		11	12/6/48
								FINISH	Cole Hersee Co. 20 OLD COLONY AVENUE, BOSTON, MA, U.S.A. 02127				DATE BLUEPRINTED
				X	ECN #99173	05/13/99	JRF						
				W	ECN #27164 ADDED CUTOUT ON EAR	12/17/97	JMP	TOLERANCES					
				V	PUT ON CAD ECN #26936	7/29/97	AJS	DECIMAL ± ANGLE ±	SW, PUSH-PULL				M-482

MM	IN
4 06	0 160
6 35	0 250
7 62	0 300
19 05	0 750
22 09	0 870
29 46	1 160
31 75	1 250
35 05	1 380
71 88	2 830

M-530



METRIC

- NOTES
 1 ALL DIMENSIONS ARE REFERENCE
 2 KNOB AND HARDWARE SHIPPED LOOSE
 (E)

DO NOT SCALE

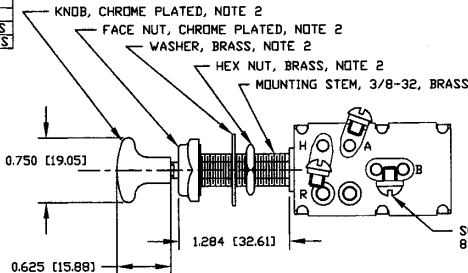
LET	WAS	DATE	BY	LET	WAS	DATE	BY	MATERIAL	DRAWN	CHK	APVD	SCALE	DATE DRAWN
									S	DR		11	3/24/94
				E	ECN #99173	05/13/99	JRF	FINISH	Cole Hersee Co. 20 OLD COLONY AVENUE, BOSTON, MA, U.S.A. 02127				DATE BLUEPRINTED
				D	ECN #27164 ADDED CUTOUT	12/31/97	JMP	TOLERANCES	SW,P-P,2POS,2POL				M-530
				C	PUT ON CAD ECN #26975	8/22/97	AJS	DECIMAL ± ANGLE ±					

LEGEND

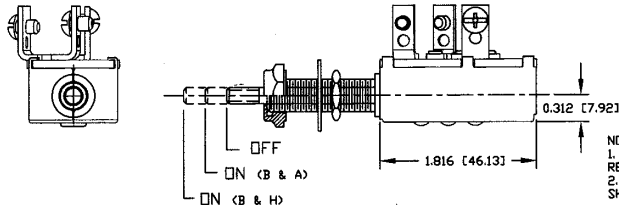
B	BATTERY
A	ANCHOR LIGHTS
H	RUNNING LIGHTS

Revision Control Record

Rev.	Description of Change	ECN No.	Date
D	NEW TERM INSUL SA CASE SA	00722	10/17/00
E	NOTE 2	00796	10/24/00
F	REMOVE LOCKWASHERS	01227	4/17/01



SCREW, BRASS
8-32 (3 REQ'D), NOTE 2



NOTES:
1. ALL DIMENSIONS ARE REFERENCE ONLY
2. ALL HARDWARE AND KNOB SHIPPED LOOSE

Tolerances - Unless otherwise specifically noted, the following are default tolerances:

- 2-place Decimal Dimensions $\pm .02"$
- 3-place Decimal Dimensions $\pm .005"$
- Angular Dimensions ± 1.0 Deg.
- Metric: Refer to equivalent English Dimension Tolerance
- >>> NOTE: All tolerances are Non-Cumulative. <<<

Dimension Units - All dimensions are expressed in inches except those shown in brackets (xxx) are expressed in millimeters

"REF." or an Asterisk (*) - Non-Tolerance Reference Dimension, shown for clarification purposes only.

PROPRIETARY INFORMATION - This Engineering Drawing, and the information contained herein, is proprietary to Cole Hersee Company and may not be disclosed, re-produced, or in any other way transferred or communicated to any other party without the express written consent of an authorized representative of Cole Hersee Company.

DESIGN CONTROL - It is the responsibility of the individual using / referencing this drawing to ensure that the noted design revision level agrees with the revision level of the Controlled Document (Master Drawing). This is a NON-CONTROLLED DOCUMENT unless otherwise specifically noted.

DO NOT SCALE - Dimensional variation may occur during printing / reproduction.

Key for Special Characteristics:

- ⊕ Critical Characteristics, relating to Safety and/or Regulatory Compliance
- ⊗ Significant Characteristic relating to Process Control (SPC)
- ⊙ Control Dimension relating to Form - Fit - Function as defined by Cole Hersee Company and/or the Customer

(Note that the identification of any Characteristics as being "Special" does not alter the requirement that ALL specified dimensions & tolerances must be met.)

Cole Hersee Co.

20 Old Colony Ave., South Boston, MA, 02127
Ph: 617-286-2100 Web: www.colehersee.com



Description: 3 POS LIGHT SWITCH

Drawing / Part No.:

M531

Current Rev.:

F

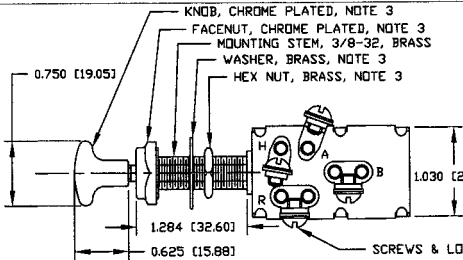
Used On or Ref.: Scale: **1:1**

Drawn By: **JWH**

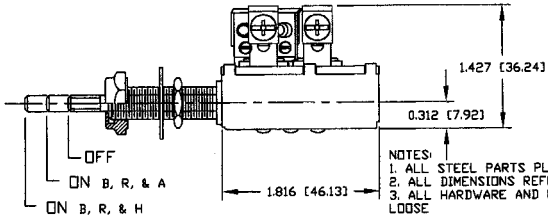
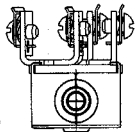
Date: **2/26/46**

Responsible Engineer: **JRV** Pg. 1 of 1

LEGEND	
A	ACCESSORY
B	BATTERY
R	ANCHOR L.T.S.
H	RUNNING L.T.S.



Revision Control Record			
Rev.	Description of Change	ECN No.	Date
B	TERM INSUL SA, CASE SA	00717	10/18/00
C	NOTE 3	00798	10/24/00
D	CHANGED TEXT	01409	7/16/01



Tolerances - Unless otherwise specifically noted, the following are default tolerances:
 • 2-place Decimal Dimensions $\pm .005$
 • 3-place Decimal Dimensions $\pm .002$
 • Angular Dimensions ± 1.0 Deg.
 • Holes: Refer to equivalent English Dimension Tolerance
 >>> NOTE: All tolerances are Non-Cumulative. <<<

Dimensional Units - All dimensions are expressed in inches except those shown in brackets (mm) are expressed in millimeters

"REF." or "As Shaded" - Non-Toleranced Reference Dimension, shown for clarification purposes only.

PROPRIETARY INFORMATION - This Engineering Drawing, and the information contained herein, is proprietary to Cole Hersee Company and may not be disclosed, reproduced, or in any other way transferred or communicated to any other party without the express written consent of an authorized representative of Cole Hersee Company.

DESIGN CONTROL - It is the responsibility of the individual using/referencing this drawing to ensure that the noted design/revision level agrees with the revision level of the Controlled Document (Master Drawing). This is a NON-CONTROLLED DOCUMENT unless otherwise specifically noted.

DO NOT SCALE - Dimensional variation may occur during printing/reproduction.

Key for Special Characteristics:

- ◆ Critical Characteristic, relating to Safety and/or Regulatory Compliance
- ⓧ Significant Characteristic relating to Process Control (SPC)
- Ⓢ Critical Dimension relating to Form - Fit - Function as defined by Cole Hersee Company and/or the Customer

Note that the identification of any Characteristic as being "Special" does not alter the requirement that ALL specified dimensions & tolerances must be met.

Cole Hersee Co.
 20 Old Colony Ave., South Boston, MA, 02127
 Pfm: 617-288-2100 Web: www.colehersee.com

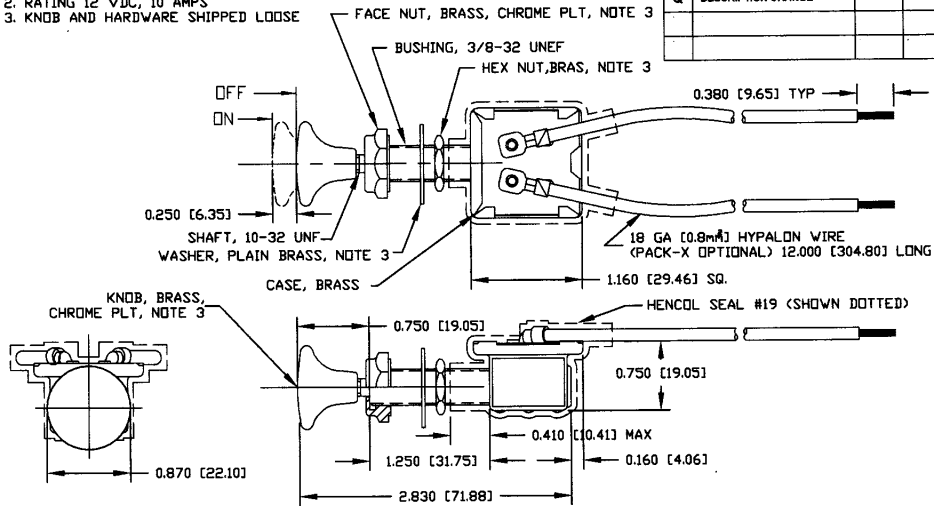
Description: PUSH PULL SWITCH

Drawing/Part No.: M532

Current Rev.: D

- NOTES:
 1. ALL DIMENSIONS ARE REFERENCE
 2. RATING 12 VDC, 10 AMPS
 3. KNOB AND HARDWARE SHIPPED LOOSE

Revision Control Record			
Rev.	Description of Change	ECN No.	Date
Q	DESCRIPTION CHANGE	D4174	05/19/04



Tolerances. Unless otherwise specifically noted, the following are default tolerances:
 * 2-place Decimal Dimensions $\pm .02"$
 * 3-place Decimal Dimensions $\pm .008"$
 * Angular Dimensions ± 1.0 Deg.
 * Metric: Refer to equivalent English Dimension Tables.
 *** NOTE: All tolerances are Max-Construction. ***

Dimensional Limits. All dimensions are expressed in inches except those shown in brackets [mm] are expressed in millimeters.

REF. or an Asterisk (*). Non-Toleranced Reference Dimension, shown for clarification purposes only.

PROPRIETARY INFORMATION. This Engineering Drawing, and the information contained herein, is proprietary to Cole Hersee Company and may not be disclosed, reproduced, or in any other way transferred or communicated to any other party without the express written consent of an authorized representative of Cole Hersee Company.

DESIGN CONTROL. It is the responsibility of the individual user/referencing user drawing to assure that the noted design revision level agrees with the revision level of the Controlled Document (Master Drawing). This is a NON-CONTROLLED DOCUMENT unless otherwise specifically noted.

DO NOT SCALE - Dimensional variation may occur during printing/reproduction.

Symbol Characteristics:

- Critical Characteristic, relating to Safety and/or Regulatory Compliance
- Significant Characteristic relating to Process Control (SPC)
- Key Characteristic relating to Form - Fit - Function as defined by Cole Hersee Company and/or the Customer

(Note that the identification of any Characteristic as being "Special" does not alter the requirement that ALL specified dimensions & tolerances must be met.)

Used On or Ref.:
 Scale: 1:1
 Drawn By: M
 Date Drawn: 08/06/80
 Responsible Engineer:

Cole Hersee Co.
 20 Old Colony Ave., South Boston, MA, 02127
 Phone: 617-268-2100 Website: www.colehersee.com

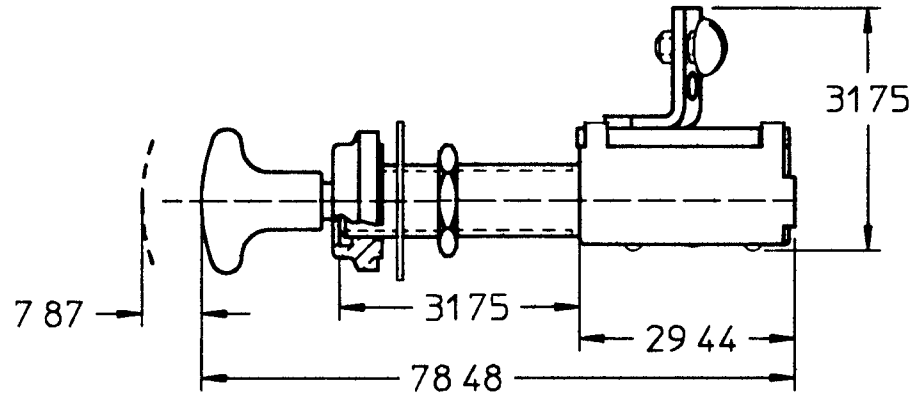
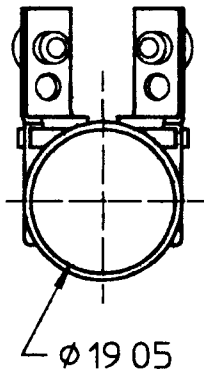
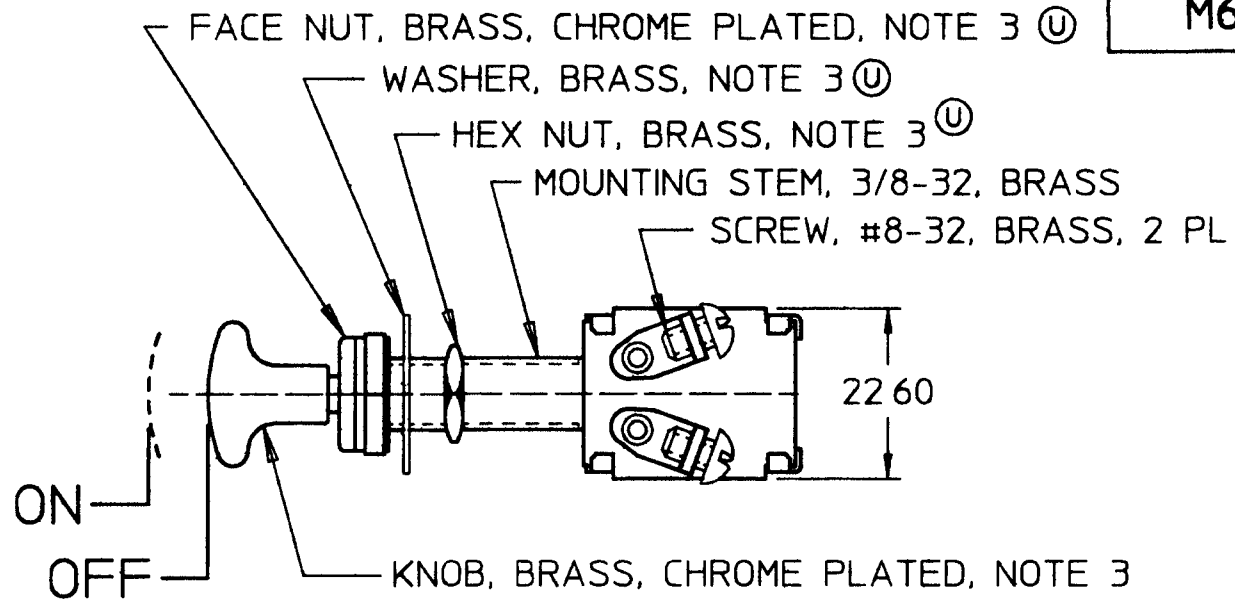
SWITCH, P-P

Drawing/Part No.: **M-606**
 Current Rev.: **Q**

Page: **Pg. 1 of 1**

M628

MM	IN
7 87 0	310
19 05 0	750
22 60 0	890
29 44 1	160
31 75 1	250
78 84 3	090

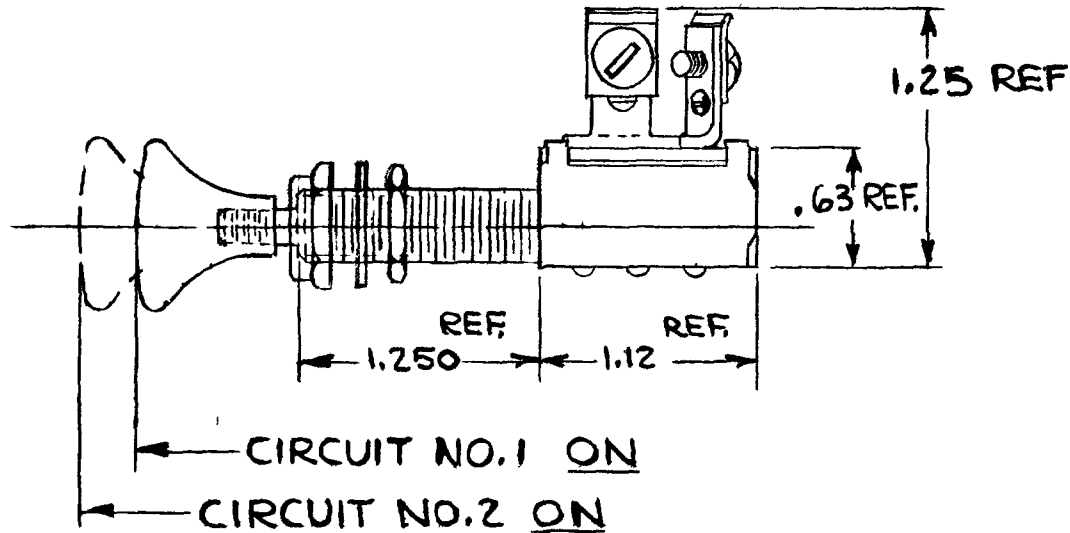
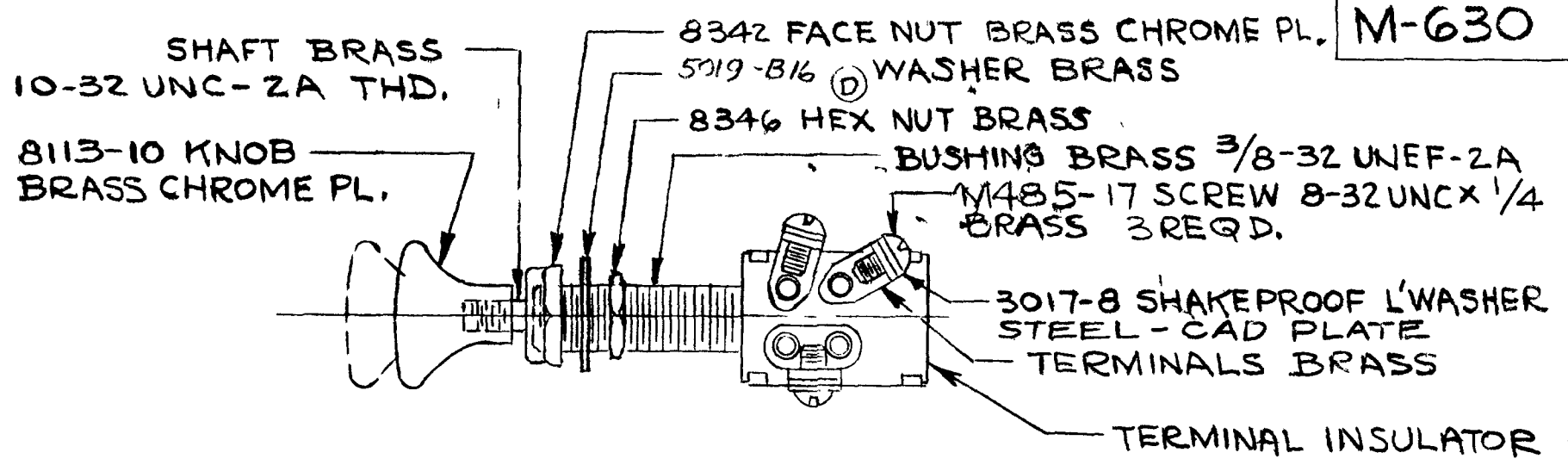


- (U) NOTES
- 1 ALL DIMENSIONS ARE REFERENCE ONLY
 - 2 RATING 10 AMPS @ 12V DC
 - 3 PARTS MAY BE ASSEMBLED OR SUPPLIED IN A PLASTIC BAG **DO NOT SCALE**

METRIC

LET	WAS	DATE	BY	LET	WAS	DATE	BY	MATERIAL	DRAWN	CHK	APVD	SCALE	DATE DRAWN
									PLB	JMP		11	10/30/57
								FINISH	Cole Hersee Co. 20 OLD COLONY AVENUE, BOSTON, MA, U.S.A. 02127				DATE BLUEPRINTED
				U	ECN #26936	7/29/97	AJS	TOLERANCES	SWITCH, PUSH-PULL				M628
				T	PUT ON CAD	7/23/96	DPS	DECIMAL ± ANGLE ±					

COLE-HERSEE CO.



DO NOT SCALE

LET	WAS	DATE	BY	LET	WAS	DATE	BY	MATERIAL	DRAWN	CHECKED	APPR V D	SCALE	USED ON	DATE DRAWN
								H	JP	LPG		FULL		1-13-58
								H	COLE-HERSEE COMPANY				DATE BLUEPRINT	
									BOSTON MASS 02127 USA					
				D	88530/18923	1-2-76	WJH	TOLERANCE UNLESS SPECIFIED 2 DECIMAL 010 3 DECIMAL 005 ANGULAR 2	NAME PUSH-PULL SWITCH				PART NO M-630	
				C	REDRAWN NO CHANGE	1-28-70	BL							

Данный компонент на территории Российской Федерации

Вы можете приобрести в компании MosChip.

Для оперативного оформления запроса Вам необходимо перейти по данной ссылке:

<http://moschip.ru/get-element>

Вы можете разместить у нас заказ для любого Вашего проекта, будь то серийное производство или разработка единичного прибора.

В нашем ассортименте представлены ведущие мировые производители активных и пассивных электронных компонентов.

Нашей специализацией является поставка электронной компонентной базы двойного назначения, продукции таких производителей как XILINX, Intel (ex.ALTERA), Vicor, Microchip, Texas Instruments, Analog Devices, Mini-Circuits, Amphenol, Glenair.

Сотрудничество с глобальными дистрибьюторами электронных компонентов, предоставляет возможность заказывать и получать с международных складов практически любой перечень компонентов в оптимальные для Вас сроки.

На всех этапах разработки и производства наши партнеры могут получить квалифицированную поддержку опытных инженеров.

Система менеджмента качества компании отвечает требованиям в соответствии с ГОСТ Р ИСО 9001, ГОСТ РВ 0015-002 и ЭС РД 009

Офис по работе с юридическими лицами:

105318, г.Москва, ул.Щербаковская д.3, офис 1107, 1118, ДЦ «Щербаковский»

Телефон: +7 495 668-12-70 (многоканальный)

Факс: +7 495 668-12-70 (доб.304)

E-mail: info@moschip.ru

Skype отдела продаж:

moschip.ru

moschip.ru_4

moschip.ru_6

moschip.ru_9