

# Type 381LR 105 °C Highest Ripple, Snap-In Aluminum

## Ultra-High Ripple Capabilities



Compared to standard 105 °C snap-ins like the Type 381L/LX Type 381LR can handle an extra 25% ripple current or more. This remarkable capability stems from advances in electrolyte that give extremely low ESR values. In high ripple current applications like motor drives you can save by using fewer capacitors.

### Highlights

- The right choice for motor drive bus capacitors
- The right choice for UPS bus capacitors
- Compare to Type 381L
- Up to 2 times the ripple current

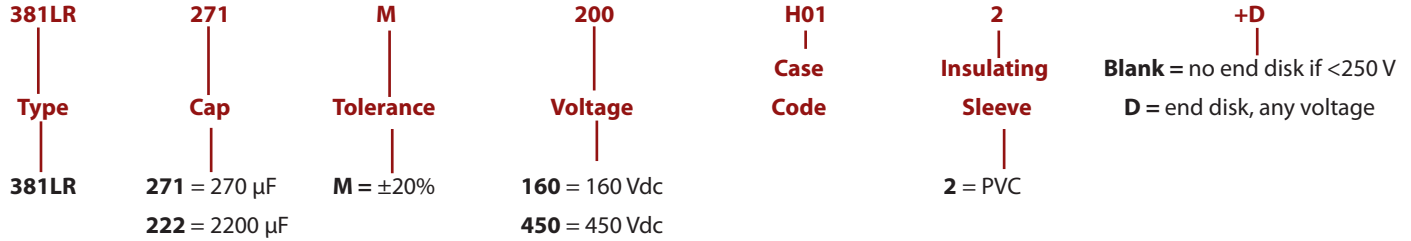
### Specifications

| Temperature Range               | -40 °C to + 105 °C ≤ 315 Vdc<br>-25 °C to + 105 °C ≥ 350 Vdc   |        |         |        |             |        |      |      |      |      |      |       |       |        |         |       |             |      |      |      |      |      |      |
|---------------------------------|--|--------|---------|--------|-------------|--------|------|------|------|------|------|-------|-------|--------|---------|-------|-------------|------|------|------|------|------|------|
| Rated Voltage Range             | 200 Vdc to 450 Vdc   |        |         |        |             |        |      |      |      |      |      |       |       |        |         |       |             |      |      |      |      |      |      |
| Capacitance Range               | 56 µF to 2,200 µF  |        |         |        |             |        |      |      |      |      |      |       |       |        |         |       |             |      |      |      |      |      |      |
| Capacitance Tolerance           | ± 20%  |        |         |        |             |        |      |      |      |      |      |       |       |        |         |       |             |      |      |      |      |      |      |
| Leakage Current                 | ≤ 3 $\sqrt{CV}$ µA, 4 mA max, 5 minutes  |        |         |        |             |        |      |      |      |      |      |       |       |        |         |       |             |      |      |      |      |      |      |
| Ripple Current Multipliers      | <p>Ambient Temperature</p> <table border="1"> <thead> <tr> <th>45 °C</th> <th>60 °C</th> <th>70 °C</th> <th>85 °C</th> <th>105 °C</th> </tr> </thead> <tbody> <tr> <td>2.35</td> <td>2.20</td> <td>2.00</td> <td>1.70</td> <td>1.00</td> </tr> </tbody> </table> <p>Frequency</p> <table border="1"> <thead> <tr> <th>50 Hz</th> <th>60 Hz</th> <th>120 Hz</th> <th>500 kHz</th> <th>1 kHz</th> <th>10 kHz &amp; Up</th> </tr> </thead> <tbody> <tr> <td>0.75</td> <td>0.80</td> <td>1.00</td> <td>1.20</td> <td>1.25</td> <td>1.40</td> </tr> </tbody> </table> | 45 °C  | 60 °C   | 70 °C  | 85 °C       | 105 °C | 2.35 | 2.20 | 2.00 | 1.70 | 1.00 | 50 Hz | 60 Hz | 120 Hz | 500 kHz | 1 kHz | 10 kHz & Up | 0.75 | 0.80 | 1.00 | 1.20 | 1.25 | 1.40 |
| 45 °C                           | 60 °C  | 70 °C  | 85 °C   | 105 °C |             |        |      |      |      |      |      |       |       |        |         |       |             |      |      |      |      |      |      |
| 2.35                            | 2.20   | 2.00   | 1.70    | 1.00   |             |        |      |      |      |      |      |       |       |        |         |       |             |      |      |      |      |      |      |
| 50 Hz                           | 60 Hz  | 120 Hz | 500 kHz | 1 kHz  | 10 kHz & Up |        |      |      |      |      |      |       |       |        |         |       |             |      |      |      |      |      |      |
| 0.75                            | 0.80   | 1.00   | 1.20    | 1.25   | 1.40        |        |      |      |      |      |      |       |       |        |         |       |             |      |      |      |      |      |      |
| Low Temperature Characteristics | Impedance ratio: $Z_{-20^{\circ}\text{C}}/Z_{+25^{\circ}\text{C}}$<br>≤ 3 (200–450Vdc)   |        |         |        |             |        |      |      |      |      |      |       |       |        |         |       |             |      |      |      |      |      |      |
| Endurance Life Test             | 3000 h at full load at 105 °C<br>Δ Capacitance ±20%<br>ESR 200% of limit<br>DCL 100% of limit  |        |         |        |             |        |      |      |      |      |      |       |       |        |         |       |             |      |      |      |      |      |      |
| Shelf Life Test                 | 1000 h at 105 °C<br>Δ Capacitance ±20%<br>ESR 200% of limit<br>DCL 100% of limit   |        |         |        |             |        |      |      |      |      |      |       |       |        |         |       |             |      |      |      |      |      |      |
| Vibration                       | 10 to 55 Hz, 0.06" and 10 g max, 2 h each plane  |        |         |        |             |        |      |      |      |      |      |       |       |        |         |       |             |      |      |      |      |      |      |
| RoHS Compliant                  |  |        |         |        |             |        |      |      |      |      |      |       |       |        |         |       |             |      |      |      |      |      |      |

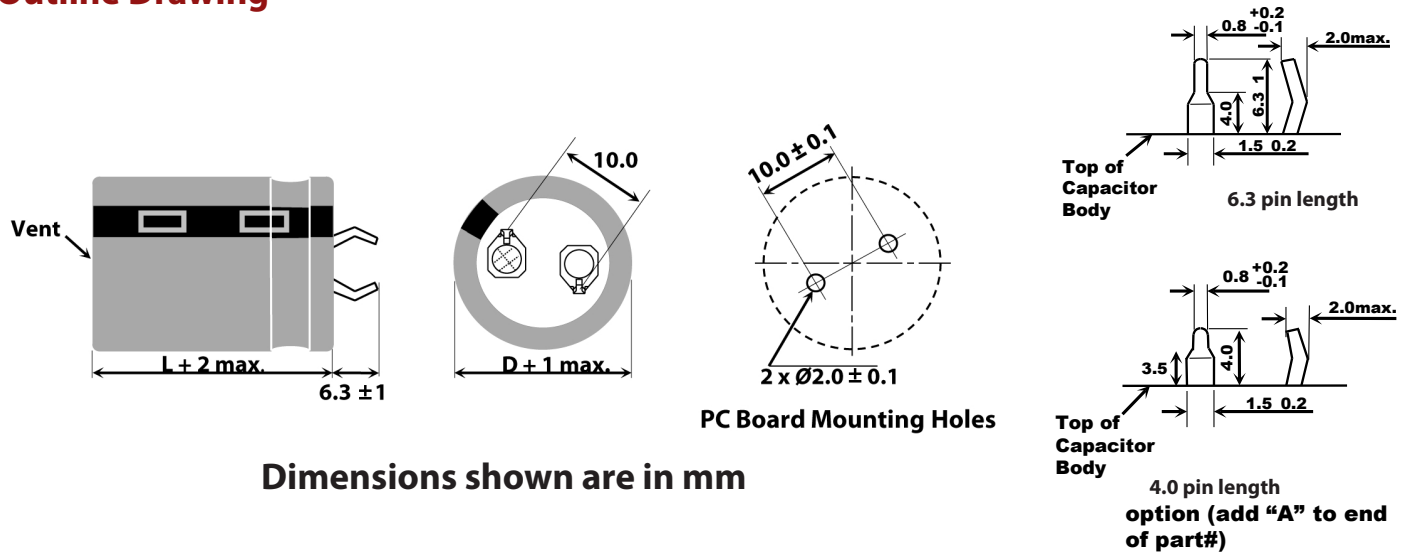
# Type 381LR 105 °C Highest Ripple, Snap-In Aluminum

## Ultra-High Ripple Capabilities

### Part Numbering System



## Outline Drawing



Note that for 200 volts and under the insulating end disc is optional - If one is needed add a (+D) to the end of the part numbering system.

## Insulated Case Dimensions

| Case Code | DIAMETER D |        | LENGTH L |        | Typical Weight (grams) | Case Code | DIAMETER D |        | LENGTH L |        | Typical Weight (grams) |
|-----------|------------|--------|----------|--------|------------------------|-----------|------------|--------|----------|--------|------------------------|
|           | mm         | inches | mm       | inches |                        |           | mm         | inches | mm       | inches |                        |
| H01       | 22         | 0.87   | 25       | 0.98   | 16                     | K01       | 30         | 1.18   | 25       | 0.98   | 30                     |
| H02       | 22         | 0.87   | 30       | 1.18   | 19                     | K02       | 30         | 1.18   | 30       | 1.18   | 35                     |
| H03       | 22         | 0.87   | 35       | 1.38   | 22                     | K03       | 30         | 1.18   | 35       | 1.38   | 40                     |
| H04       | 22         | 0.87   | 40       | 1.57   | 24                     | K04       | 30         | 1.18   | 40       | 1.57   | 44                     |
| H45       | 22         | 0.87   | 45       | 1.77   | 28                     | K45       | 30         | 1.18   | 45       | 1.77   | 49                     |
| H05       | 22         | 0.87   | 50       | 1.97   | 31                     | K05       | 30         | 1.18   | 50       | 1.97   | 53                     |
| J01       | 25         | 0.98   | 25       | 0.98   | 20                     | A01       | 35         | 1.38   | 25       | 0.98   | 42                     |
| J02       | 25         | 0.98   | 30       | 1.18   | 24                     | A02       | 35         | 1.38   | 30       | 1.18   | 48                     |
| J03       | 25         | 0.98   | 35       | 1.38   | 27                     | A03       | 35         | 1.38   | 35       | 1.38   | 54                     |
| J04       | 25         | 0.98   | 40       | 1.57   | 31                     | A04       | 35         | 1.38   | 40       | 1.57   | 60                     |
| J45       | 25         | 0.98   | 45       | 1.77   | 35                     | A45       | 35         | 1.38   | 45       | 1.77   | 67                     |
| J05       | 25         | 0.98   | 50       | 1.97   | 38                     | A05       | 35         | 1.38   | 50       | 1.97   | 74                     |
|           |            |        |          |        |                        | A55       | 35         | 1.38   | 55       | 2.17   | 80                     |

# Type 381LR 105 °C Highest Ripple, Snap-In Aluminum

## Ultra-High Ripple Capabilities

### Ratings

| Cap.<br>(µF)                   | Catalog<br>Part Number | ESR Max<br>@ 25° C |               | Ripple Amps<br>@ 105 °C |               | Nominal<br>Size<br>D x L<br>(mm) |
|--------------------------------|------------------------|--------------------|---------------|-------------------------|---------------|----------------------------------|
|                                |                        | 120 Hz<br>(Ω)      | 20 kHz<br>(Ω) | 120 Hz<br>(A)           | 20 kHz<br>(A) |                                  |
| <b>200 Vdc (250 Vdc Surge)</b> |                        |                    |               |                         |               |                                  |
| 270                            | 381LR271M200H012       | 0.553              | 0.249         | 1.42                    | 2.03          | 22 X 25                          |
| 330                            | 381LR331M200H022       | 0.452              | 0.203         | 1.56                    | 2.23          | 22 X 30                          |
| 390                            | 381LR391M200H022       | 0.383              | 0.172         | 1.71                    | 2.44          | 22 X 30                          |
| 390                            | 381LR391M200J012       | 0.383              | 0.172         | 1.71                    | 2.44          | 25 X 25                          |
| 470                            | 381LR471M200H032       | 0.317              | 0.143         | 1.85                    | 2.64          | 22 X 35                          |
| 470                            | 381LR471M200J022       | 0.317              | 0.143         | 1.85                    | 2.64          | 25 X 30                          |
| 560                            | 381LR561M200H042       | 0.266              | 0.120         | 2.14                    | 3.05          | 22 X 40                          |
| 560                            | 381LR561M200J022       | 0.266              | 0.120         | 2.14                    | 3.05          | 25 X 30                          |
| 560                            | 381LR561M200K012       | 0.266              | 0.120         | 2.14                    | 3.05          | 30 X 25                          |
| 680                            | 381LR681M200H452       | 0.219              | 0.099         | 2.42                    | 3.45          | 22 X 45                          |
| 680                            | 381LR681M200J032       | 0.219              | 0.099         | 2.42                    | 3.45          | 25 X 35                          |
| 680                            | 381LR681M200K022       | 0.219              | 0.099         | 2.42                    | 3.45          | 30 X 30                          |
| 820                            | 381LR821M200H052       | 0.182              | 0.082         | 2.63                    | 3.76          | 22 X 50                          |
| 820                            | 381LR821M200J042       | 0.182              | 0.082         | 2.63                    | 3.76          | 25 X 40                          |
| 820                            | 381LR821M200K022       | 0.182              | 0.082         | 2.63                    | 3.76          | 30 X 30                          |
| 820                            | 381LR821M200A012       | 0.182              | 0.082         | 2.63                    | 3.76          | 35 X 25                          |
| 1000                           | 381LR102M200J452       | 0.149              | 0.067         | 2.84                    | 4.06          | 25 X 45                          |
| 1000                           | 381LR102M200K032       | 0.149              | 0.067         | 2.84                    | 4.06          | 30 X 35                          |
| 1000                           | 381LR102M200A022       | 0.149              | 0.067         | 2.84                    | 4.06          | 35 X 30                          |
| 1200                           | 381LR122M200K042       | 0.124              | 0.062         | 3.13                    | 4.47          | 30 X 40                          |
| 1200                           | 381LR122M200A032       | 0.124              | 0.062         | 3.13                    | 4.47          | 35 X 35                          |
| 1500                           | 381LR152M200K052       | 0.099              | 0.050         | 3.56                    | 5.06          | 30 X 50                          |
| 1500                           | 381LR152M200A042       | 0.099              | 0.050         | 3.56                    | 5.06          | 35 X 40                          |
| 1800                           | 381LR182M200A452       | 0.083              | 0.041         | 3.84                    | 5.48          | 35 X 45                          |
| 2200                           | 381LR222M200A052       | 0.066              | 0.040         | 4.12                    | 5.89          | 35 X 50                          |
| <b>250 Vdc (300 Vdc Surge)</b> |                        |                    |               |                         |               |                                  |
| 220                            | 381LR221M250H022       | 0.678              | 0.305         | 1.28                    | 1.83          | 22 X 30                          |
| 270                            | 381LR271M250H022       | 0.553              | 0.249         | 1.42                    | 2.03          | 22 X 30                          |
| 270                            | 381LR271M250J012       | 0.553              | 0.249         | 1.42                    | 2.03          | 25 X 25                          |
| 330                            | 381LR331M250H032       | 0.452              | 0.203         | 1.64                    | 2.34          | 22 X 35                          |
| 330                            | 381LR331M250J022       | 0.452              | 0.203         | 1.64                    | 2.34          | 25 X 30                          |
| 390                            | 381LR391M250H042       | 0.383              | 0.172         | 1.72                    | 2.45          | 22 X 40                          |
| 390                            | 381LR391M250J022       | 0.383              | 0.172         | 1.72                    | 2.45          | 25 X 30                          |
| 390                            | 381LR391M250K012       | 0.383              | 0.172         | 1.72                    | 2.45          | 30 X 25                          |
| 470                            | 381LR471M250H452       | 0.317              | 0.143         | 1.85                    | 2.64          | 22 X 45                          |
| 470                            | 381LR471M250J032       | 0.317              | 0.143         | 1.85                    | 2.64          | 25 X 35                          |
| 470                            | 381LR471M250K022       | 0.317              | 0.143         | 1.85                    | 2.64          | 30 X 30                          |
| 560                            | 381LR561M250J042       | 0.266              | 0.120         | 2.14                    | 3.05          | 25 X 40                          |
| 560                            | 381LR561M250K022       | 0.266              | 0.120         | 2.14                    | 3.05          | 30 X 30                          |
| 560                            | 381LR561M250A012       | 0.266              | 0.120         | 2.14                    | 3.05          | 35 X 25                          |
| 680                            | 381LR681M250J452       | 0.219              | 0.099         | 2.42                    | 3.45          | 25 X 45                          |

| Cap.<br>(µF)                   | Catalog<br>Part Number | ESR Max<br>@ 25° C |               | Ripple Amps<br>@ 105 °C |               | Nominal<br>Size<br>D x L<br>(mm) |
|--------------------------------|------------------------|--------------------|---------------|-------------------------|---------------|----------------------------------|
|                                |                        | 120 Hz<br>(Ω)      | 20 kHz<br>(Ω) | 120 Hz<br>(A)           | 20 kHz<br>(A) |                                  |
| <b>250 Vdc (300 Vdc Surge)</b> |                        |                    |               |                         |               |                                  |
| 680                            | 381LR681M250K032       | 0.219              | 0.099         | 2.42                    | 3.45          | 30 X 35                          |
| 680                            | 381LR681M250A022       | 0.219              | 0.099         | 2.42                    | 3.45          | 35 X 30                          |
| 820                            | 381LR821M250K042       | 0.182              | 0.082         | 2.63                    | 3.76          | 30 X 40                          |
| 820                            | 381LR821M250A032       | 0.182              | 0.082         | 2.63                    | 3.76          | 35 X 35                          |
| 1000                           | 381LR102M250K052       | 0.149              | 0.067         | 2.84                    | 4.06          | 30 X 50                          |
| 1000                           | 381LR102M250A042       | 0.149              | 0.067         | 2.84                    | 4.06          | 35 X 40                          |
| 1200                           | 381LR122M250A452       | 0.124              | 0.062         | 3.13                    | 4.47          | 35 X 45                          |
| 1500                           | 381LR152M250A052       | 0.099              | 0.050         | 3.56                    | 5.06          | 35 X 50                          |
| <b>400 Vdc (450 Vdc Surge)</b> |                        |                    |               |                         |               |                                  |
| 82                             | 381LR820M400H012       | 1.617              | 0.728         | 0.8                     | 1.14          | 22 X 25                          |
| 100                            | 381LR101M400H022       | 1.326              | 0.597         | 0.91                    | 1.3           | 22 X 30                          |
| 100                            | 381LR101M400J012       | 1.960              | 0.960         | 0.91                    | 1.3           | 25 X 25                          |
| 120                            | 381LR121M400H032       | 1.105              | 0.497         | 1.02                    | 1.46          | 22 X 35                          |
| 120                            | 381LR121M400J022       | 1.105              | 0.497         | 1.02                    | 1.46          | 25 X 30                          |
| 150                            | 381LR151M400H042       | 1.105              | 0.387         | 1.07                    | 1.53          | 22 X 40                          |
| 150                            | 381LR151M400J022       | 1.105              | 0.387         | 1.07                    | 1.53          | 25 X 30                          |
| 150                            | 381LR151M400K012       | 1.105              | 0.387         | 1.07                    | 1.53          | 30 X 25                          |
| 180                            | 381LR181M400H452       | 0.737              | 0.322         | 1.12                    | 1.6           | 22 X 45                          |
| 180                            | 381LR181M400J032       | 0.737              | 0.322         | 1.12                    | 1.6           | 25 X 35                          |
| 180                            | 381LR181M400K022       | 0.737              | 0.322         | 1.12                    | 1.6           | 30 X 30                          |
| 220                            | 381LR221M400H052       | 0.603              | 0.271         | 1.42                    | 2.03          | 22 X 50                          |
| 220                            | 381LR221M400J042       | 0.603              | 0.271         | 1.42                    | 2.03          | 25 X 40                          |
| 220                            | 381LR221M400K022       | 0.603              | 0.271         | 1.42                    | 2.03          | 30 X 30                          |
| 220                            | 381LR221M400A012       | 0.603              | 0.271         | 1.42                    | 2.03          | 35 X 25                          |
| 270                            | 381LR271M400J452       | 0.491              | 0.221         | 1.56                    | 2.23          | 25 X 45                          |
| 270                            | 381LR271M400K032       | 0.491              | 0.221         | 1.56                    | 2.23          | 30 X 35                          |
| 270                            | 381LR271M400A022       | 0.491              | 0.221         | 1.56                    | 2.23          | 35 X 30                          |
| 330                            | 381LR331M400K042       | 0.402              | 0.181         | 1.71                    | 2.44          | 30 X 40                          |
| 330                            | 381LR331M400A022       | 0.402              | 0.181         | 1.71                    | 2.44          | 35 X 30                          |
| 390                            | 381LR391M400K452       | 0.34               | 0.153         | 1.85                    | 2.64          | 30 X 45                          |
| 390                            | 381LR391M400A032       | 0.34               | 0.153         | 1.85                    | 2.64          | 35 X 35                          |
| 470                            | 381LR471M400A042       | 0.282              | 0.127         | 2.01                    | 2.87          | 35 X 40                          |
| 560                            | 381LR561M400A452       | 0.237              | 0.107         | 2.35                    | 3.36          | 35 X 45                          |
| <b>420 Vdc (470 Vdc Surge)</b> |                        |                    |               |                         |               |                                  |
| 68                             | 381LR680M420H012       | 1.95               | 0.878         | 0.76                    | 1.08          | 22 X 25                          |
| 82                             | 381LR820M420H022       | 1.617              | 0.728         | 0.8                     | 1.14          | 22 X 30                          |
| 82                             | 381LR820M420J012       | 1.617              | 0.728         | 0.8                     | 1.14          | 25 X 25                          |
| 100                            | 381LR101M420H022       | 1.326              | 0.597         | 0.91                    | 1.3           | 22 X 30                          |
| 100                            | 381LR101M420J012       | 1.326              | 0.597         | 0.91                    | 1.3           | 25 X 25                          |
| 120                            | 381LR121M420H032       | 1.105              | 0.497         | 1.02                    | 1.46          | 22 X 35                          |
| 120                            | 381LR121M420J022       | 1.105              | 0.497         | 1.02                    | 1.46          | 25 X 30                          |

# Type 381LR 105 °C Highest Ripple, Snap-In Aluminum

## Ultra-High Ripple Capabilities

| Cap. (µF)                      | Catalog Part Number | ESR Max @ 25° C |            | Ripple Amps @ 105 °C |            | Nominal Size D x L (mm) |
|--------------------------------|---------------------|-----------------|------------|----------------------|------------|-------------------------|
|                                |                     | 120 Hz (Ω)      | 20 kHz (Ω) | 120 Hz (A)           | 20 kHz (A) |                         |
| <b>420 Vdc (470 Vdc Surge)</b> |                     |                 |            |                      |            |                         |
| 150                            | 381LR151M420K012    | 0.884           | 0.398      | 1.07                 | 1.53       | 30 X 25                 |
| 180                            | 381LR181M420H452    | 0.737           | 0.332      | 1.12                 | 1.6        | 22 X 45                 |
| 180                            | 381LR181M420J042    | 0.737           | 0.332      | 1.12                 | 1.6        | 25 X 40                 |
| 180                            | 381LR181M420K022    | 0.737           | 0.332      | 1.12                 | 1.6        | 30 X 30                 |
| 180                            | 381LR181M420A012    | 0.737           | 0.332      | 1.12                 | 1.6        | 35 X 25                 |
| 220                            | 381LR221M420J452    | 0.603           | 0.271      | 1.42                 | 2.03       | 25 X 45                 |
| 220                            | 381LR221M420K032    | 0.603           | 0.271      | 1.42                 | 2.03       | 30 X 35                 |
| 220                            | 381LR221M420A022    | 0.603           | 0.271      | 1.42                 | 2.03       | 35 X 30                 |
| 270                            | 381LR271M420J052    | 0.491           | 0.221      | 1.68                 | 2.4        | 25 X 50                 |
| 270                            | 381LR271M420K042    | 0.491           | 0.221      | 1.68                 | 2.4        | 30 X 40                 |
| 270                            | 381LR271M420A022    | 0.491           | 0.221      | 1.68                 | 2.4        | 35 X 30                 |
| 330                            | 381LR331M420K452    | 0.402           | 0.181      | 1.78                 | 2.54       | 30 X 45                 |
| 330                            | 381LR331M420A032    | 0.402           | 0.181      | 1.78                 | 2.54       | 35 X 35                 |
| 390                            | 381LR391M420K052    | 0.34            | 0.153      | 1.91                 | 2.73       | 30 X 50                 |
| 390                            | 381LR391M420A042    | 0.34            | 0.153      | 1.91                 | 2.73       | 35 X 40                 |
| 470                            | 381LR471M420A452    | 0.282           | 0.127      | 2.23                 | 3.18       | 35 X 45                 |
| <b>450 Vdc (500 Vdc Surge)</b> |                     |                 |            |                      |            |                         |
| 56                             | 381LR560M450H012    | 2.368           | 1.066      | 0.67                 | 0.95       | 22 X 25                 |
| 68                             | 381LR680M450H022    | 1.95            | 0.878      | 0.76                 | 1.08       | 22 X 30                 |
| 68                             | 381LR680M450J012    | 1.95            | 0.878      | 0.76                 | 1.08       | 25 X 25                 |
| 82                             | 381LR820M450H022    | 1.617           | 0.728      | 0.8                  | 1.14       | 22 X 30                 |
| 82                             | 381LR820M450J012    | 1.617           | 0.728      | 0.8                  | 1.14       | 25 X 25                 |

| Cap. (µF)                      | Catalog Part Number | ESR Max @ 25° C |            | Ripple Amps @ 105 °C |            | Nominal Size D x L (mm) |
|--------------------------------|---------------------|-----------------|------------|----------------------|------------|-------------------------|
|                                |                     | 120 Hz (Ω)      | 20 kHz (Ω) | 120 Hz (A)           | 20 kHz (A) |                         |
| <b>450 Vdc (500 Vdc Surge)</b> |                     |                 |            |                      |            |                         |
| 100                            | 381LR101M450H032    | 1.326           | 0.597      | 0.91                 | 1.3        | 22 X 35                 |
| 100                            | 381LR101M450J022    | 1.326           | 0.597      | 0.91                 | 1.3        | 25 X 30                 |
| 120                            | 381LR121M450H042    | 1.105           | 0.497      | 1.02                 | 1.46       | 22 X 40                 |
| 120                            | 381LR121M450J032    | 1.105           | 0.497      | 1.02                 | 1.46       | 25 X 35                 |
| 120                            | 381LR121M450K012    | 1.105           | 0.497      | 1.02                 | 1.46       | 30 X 25                 |
| 150                            | 381LR151M450H452    | 0.884           | 0.396      | 1.07                 | 1.53       | 22 X 45                 |
| 150                            | 381LR151M450J042    | 0.884           | 0.396      | 1.07                 | 1.53       | 25 X 40                 |
| 150                            | 381LR151M450K022    | 0.884           | 0.396      | 1.07                 | 1.53       | 30 X 30                 |
| 150                            | 381LR151M450A012    | 0.884           | 0.396      | 1.07                 | 1.53       | 35 X 25                 |
| 180                            | 381LR181M450H052    | 0.737           | 0.332      | 1.12                 | 1.6        | 22 X 50                 |
| 180                            | 381LR181M450J042    | 0.737           | 0.332      | 1.12                 | 1.6        | 25 X 40                 |
| 180                            | 381LR181M450K022    | 0.737           | 0.332      | 1.12                 | 1.6        | 30 X 30                 |
| 180                            | 381LR181M450A012    | 0.737           | 0.332      | 1.12                 | 1.6        | 35 X 25                 |
| 220                            | 381LR221M450J452    | 0.603           | 0.271      | 1.42                 | 2.03       | 25 X 45                 |
| 220                            | 381LR221M450K032    | 0.603           | 0.271      | 1.42                 | 2.03       | 30 X 35                 |
| 220                            | 381LR221M450A022    | 0.603           | 0.271      | 1.42                 | 2.03       | 35 X 30                 |
| 270                            | 381LR271M450K042    | 0.491           | 0.221      | 1.72                 | 2.45       | 30 X 40                 |
| 270                            | 381LR271M450A032    | 0.491           | 0.221      | 1.72                 | 2.45       | 35 X 35                 |
| 330                            | 381LR331M450K052    | 0.402           | 0.181      | 1.85                 | 2.64       | 30 X 50                 |
| 330                            | 381LR331M450A042    | 0.402           | 0.181      | 1.85                 | 2.64       | 35 X 40                 |
| 390                            | 381LR391M450A042    | 0.34            | 0.153      | 1.97                 | 2.82       | 35 X 40                 |
| 470                            | 381LR471M450A052    | 0.282           | 0.127      | 2.47                 | 3.53       | 35 X 50                 |

## Typical Performance Curves

Life Test 105 °C, Full Load, 220 µF, 400 Vdc  
Capacitance, DF, Leakage Current



Hours @ Rated Max Temp, Voltage, Ripple

Life Test 105 °C, Full Load, 330 µF, 400 Vdc  
Capacitance, DF, Leakage Current



Hours @ Rated Max Temp, Voltage, Ripple



## Данный компонент на территории Российской Федерации

### Вы можете приобрести в компании MosChip.

Для оперативного оформления запроса Вам необходимо перейти по данной ссылке:

<http://moschip.ru/get-element>

Вы можете разместить у нас заказ для любого Вашего проекта, будь то серийное производство или разработка единичного прибора.

В нашем ассортименте представлены ведущие мировые производители активных и пассивных электронных компонентов.

Нашей специализацией является поставка электронной компонентной базы двойного назначения, продукции таких производителей как XILINX, Intel (ex.ALTERA), Vicor, Microchip, Texas Instruments, Analog Devices, Mini-Circuits, Amphenol, Glenair.

Сотрудничество с глобальными дистрибьюторами электронных компонентов, предоставляет возможность заказывать и получать с международных складов практически любой перечень компонентов в оптимальные для Вас сроки.

На всех этапах разработки и производства наши партнеры могут получить квалифицированную поддержку опытных инженеров.

Система менеджмента качества компании отвечает требованиям в соответствии с ГОСТ Р ИСО 9001, ГОСТ РВ 0015-002 и ЭС РД 009

### Офис по работе с юридическими лицами:

105318, г.Москва, ул.Щербаковская д.3, офис 1107, 1118, ДЦ «Щербаковский»

Телефон: +7 495 668-12-70 (многоканальный)

Факс: +7 495 668-12-70 (доб.304)

E-mail: [info@moschip.ru](mailto:info@moschip.ru)

Skype отдела продаж:

moschip.ru

moschip.ru\_4

moschip.ru\_6

moschip.ru\_9