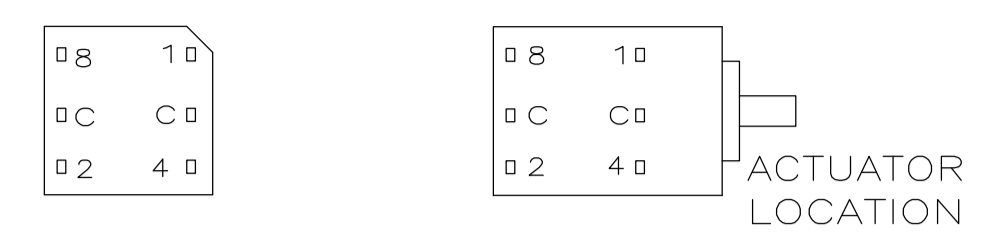
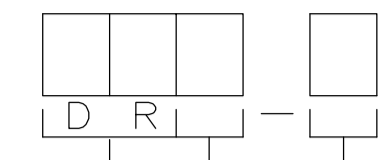


| REVISIONS |             |               |           |       |
|-----------|-------------|---------------|-----------|-------|
| P         | LTR         | DESCRIPTION   | DATE      | APPV  |
| A4        | REVISED PER | ECO-17-001765 | 05MAY2017 | SK AS |

TERMINAL IDENTIFICATION FOR DR SERIES ONLY  
(VIEWED FROM BOTTOM OF SWITCH)



HOW TO ORDER



SERIES \_\_\_\_\_  
 ROTARY DIPS (BLACK CASE)  
 ACTUATOR STYLE \_\_\_\_\_  
 M= MINI PLASTIC SHAFT  
 W= WHEEL  
 S= METAL SHAFT

CIRCUIT TYPES \_\_\_\_\_  
 10= BC DECIMAL  
 10C= BCD COMPLEMENT  
 16= HEXADECIMAL  
 16C= HEXADECIMAL COMPLEMENT

10-POSITION, BCD SEE NOTE 2

| POS | 0 | 1 | 2 | 3 | 4 | 5 | 6 | 7 | 8 | 9 |
|-----|---|---|---|---|---|---|---|---|---|---|
| C   | X | X | X | X | X | X | X | X | X | X |
| 1   |   | X |   | X |   | X |   | X |   | X |
| 2   |   |   | X | X |   |   | X | X |   |   |
| 4   |   |   |   |   | X | X | X | X |   |   |
| 8   |   |   |   |   |   |   |   |   | X | X |

16-POSITION, HEXADECIMAL SEE NOTE 3

| POS | 0 | 1 | 2 | 3 | 4 | 5 | 6 | 7 | 8 | 9 | A | B | C | D | E | F |
|-----|---|---|---|---|---|---|---|---|---|---|---|---|---|---|---|---|
| C   | X | X | X | X | X | X | X | X | X | X | X | X | X | X | X | X |
| 1   |   | X |   | X |   | X |   | X |   | X |   | X |   | X |   |   |
| 2   |   |   | X | X |   |   | X | X |   |   | X | X |   |   | X |   |
| 4   |   |   |   |   | X | X | X | X |   |   |   | X | X | X | X |   |
| 8   |   |   |   |   |   |   |   |   | X | X | X | X | X | X | X |   |

10 POSITION, BCD COMPLEMENT SEE NOTE 4

| POS | 0 | 1 | 2 | 3 | 4 | 5 | 6 | 7 | 8 | 9 |
|-----|---|---|---|---|---|---|---|---|---|---|
| C̄  | X | X | X | X | X | X | X | X | X | X |
| 1̄  | X |   | X |   | X |   | X |   | X |   |
| 2̄  | X | X |   |   | X | X |   |   | X | X |
| 4̄  | X | X | X | X |   |   |   |   | X | X |
| 8̄  | X | X | X | X | X | X | X | X |   |   |

16-POSITION, HEXADECIMAL COMPLEMENT SEE NOTE 5

| POS | 0 | 1 | 2 | 3 | 4 | 5 | 6 | 7 | 8 | 9 | A | B | C | D | E | F |
|-----|---|---|---|---|---|---|---|---|---|---|---|---|---|---|---|---|
| C̄  | X | X | X | X | X | X | X | X | X | X | X | X | X | X | X | X |
| 1̄  | X |   | X |   | X |   | X |   | X |   | X |   | X |   | X |   |
| 2̄  | X | X |   |   | X | X |   |   | X | X |   |   | X | X |   |   |
| 4̄  | X | X | X | X |   |   |   |   | X | X | X | X |   |   |   |   |
| 8̄  | X | X | X | X | X | X | X | X |   |   |   |   |   |   |   |   |

SPECIFICATIONS:

MATERIAL:

FRAME & CASE: PPS UL94V-0, BLACK  
 ROTOR, PPS UL94V-0, COLOR SEE P/N TABLE  
 FIXED CONTACT TERMINAL: COPPER ALLOY, GOLD FLASH OVER NICKEL PLATE  
 MOVING CONTACT: COPPER ALLOY, GOLD FLASH OVER NICKEL PLATE  
 BALL SUPPORT PLATE: COPPER ALLOY  
 BALL: STAINLESS STEEL  
 DETENT SPRING: STAINLESS STEEL  
 BUSHING (DRS): ZINC DIE CAST  
 SHAFT (DRS): COPPER ALLOY-NICKEL PLATE

ELECTRICAL:

CONTACT RATING: 0.4 VA @ 20V DC OR PEAK AC  
 INITIAL CONTACT RESISTANCE: 50 MILLIOHMS MAX.  
 INSULATION RESISTANCE: 1,000 MEGOHMS @ 100V DC.  
 DIELECTRIC STRENGTH: 300V AC  
 LIFE EXPECTANCY: 10,000 ROTATIONS

MECHANICAL:

OPERATING FORCE: 13.88 OZF.IN. MAX

ENVIRONMENTAL:

OPERATING TEMPERATURE: -30 TO +85 DEGREES C  
 STORAGE TEMPERATURE: -45 TO +100 DEGREES C  
 RESISTANCE TO SOLDER HEAT-PER 109-202, COND B (THRU-HOLE)  
 SOLDERABILITY- PER JIS C 0050 & JIS C 0053

NOTES:

- COMMON TERMINALS ARE CONNECTED INTERNALLY.
- RED ROTOR WITH WHITE PRINTING ON TOP AND SIDE OF SWITCH. "S" STYLES HAVE NOT PRINTING ON TOP.
- BLACK ROTOR WITH WHITE PRINTING ON TOP AND SIDE OF SWITCH. "S" STYLES HAVE NO PRINTING ON TOP.
- ORANGE ROTOR WITH WHITE PRINTING ON TOP AND SIDE OF SWITCH EXCEPT FOR THE "W" STYLES, WHICH HAVE BLACK PRINTING ON TOP. "S" STYLES HAVE NO PRINTING ON TOP.
- WHITE ROTOR WITH WHITE PRINTING ON TOP AND SIDE OF SWITCH EXCEPT FOR THE "W" STYLES, WHICH HAVE BLACK PRINTING ON TOP. "S" STYLE HAVE NO PRINTING ON TOP.
- ALL MATERIALS AND FINISHES SHALL COMPLY WITH EU DIRECTIVE 2002/95/EC OF 27JAN2003 (ROHS)

LOCATE 'ALCO' TRADE NAME AND LOT NUMBER MARKING. LOT NUMBER TO BE MARKED AS FOLLOW:

4 F  
 1ST DIGIT 2ND DIGIT  
 YEAR 1194 MONTH 6

MARK WITH PERMANENT WHITE INK.

SEE SHEET 2 FOR DIMENSIONAL SPEC'S

|          |             |            |          |             |
|----------|-------------|------------|----------|-------------|
|          | N/A         | BLACK      | DRS16C   | 5-1825033-6 |
|          | N/A         | BLACK      | DRS16    | 5-1825033-1 |
| OBSOLETE | N/A         | BLACK      | DRS10C   | 4-1825033-6 |
|          | N/A         | BLACK      | DRS10    | 4-1825033-1 |
| OBSOLETE | WHITE       | BLACK      | DRW16C   | 3-1825033-6 |
|          | BLACK       | BLACK      | DRW16    | 3-1825033-1 |
| OBSOLETE | ORANGE      | BLACK      | DRW10C   | 2-1825033-6 |
|          | RED         | BLACK      | DRW10    | 2-1825033-1 |
| OBSOLETE | WHITE       | BLACK      | DRM16C   | 1-1825033-6 |
|          | BLACK       | BLACK      | DRM16    | 1-1825033-1 |
| OBSOLETE | ORANGE      | BLACK      | DRM10C   | 1825033-6   |
|          | RED         | BLACK      | DRM10    | 1825033-1   |
|          | ROTOR COLOR | CASE COLOR | ALCO P/N | PART NO.    |

THIS DRAWING IS A CONTROLLED DOCUMENT.

STE TE Connectivity

ROTARY DIP SWITCH

0.1 PL ± -  
 1.0 PL ± -  
 2.0 PL ± -  
 3.0 PL ± .010  
 4.0 PL ± ± 1'

WEIGHT 0

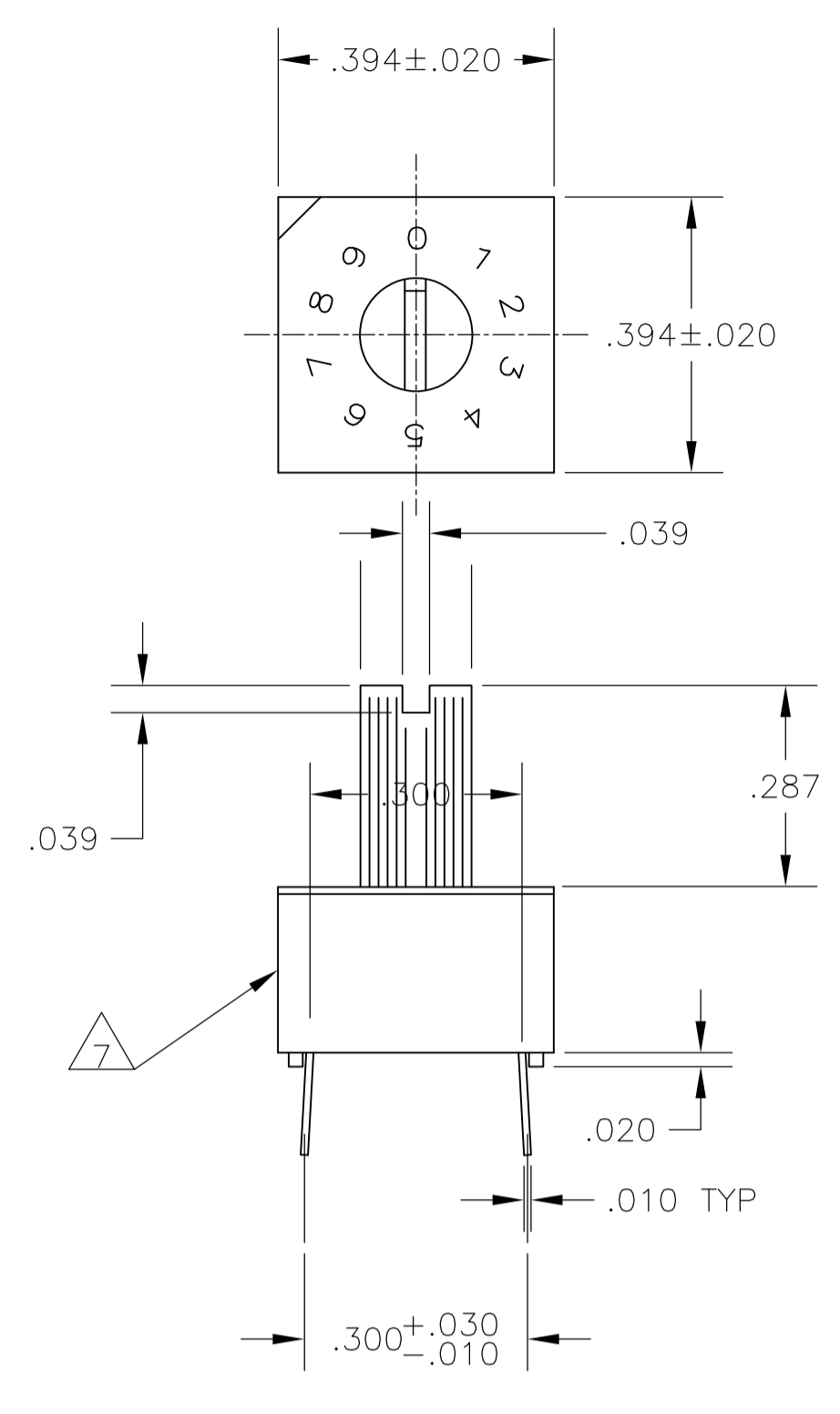
SIZE A1

SCALE 1:1

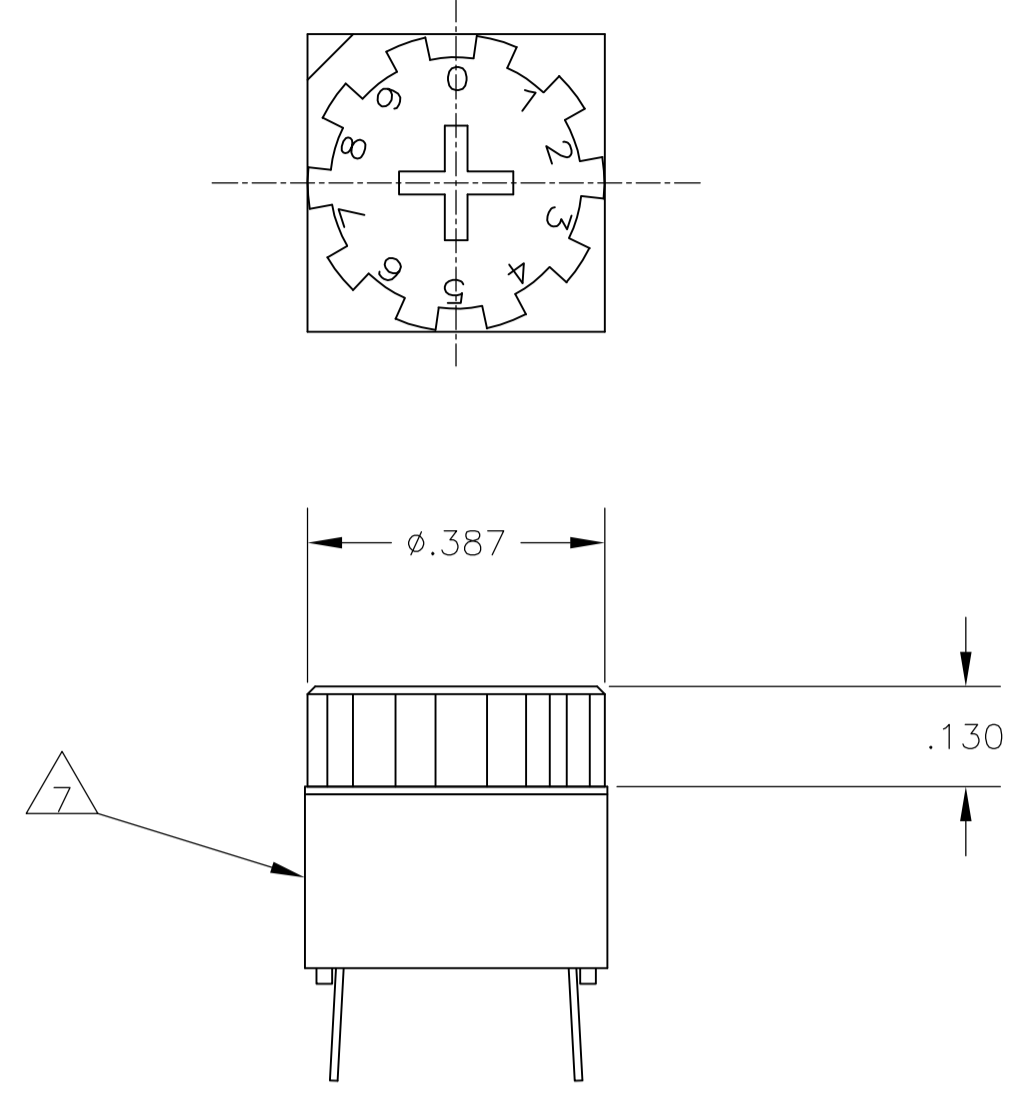
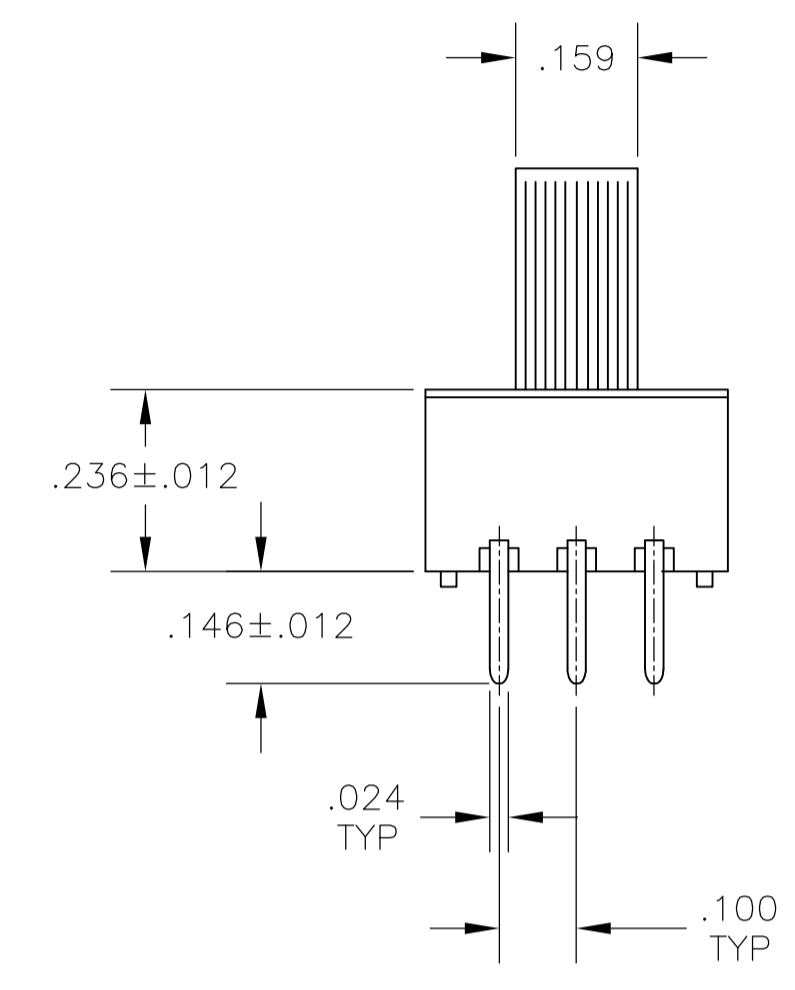
SHEET 1 OF 2

REV A4

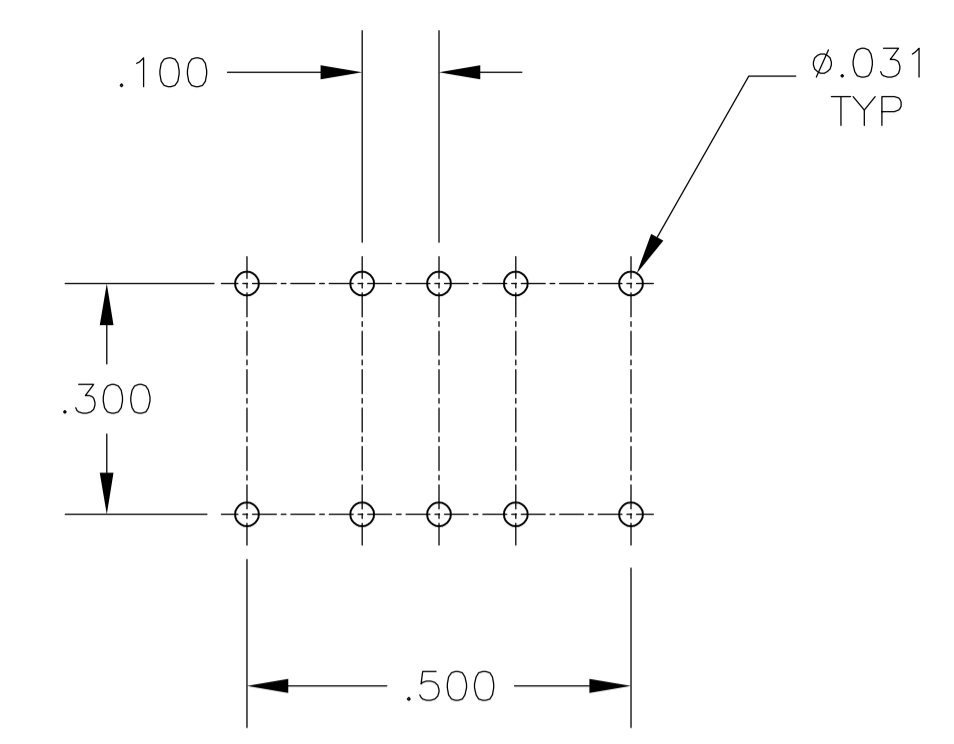
| REVISIONS |      |    |      |             |
|-----------|------|----|------|-------------|
| REV       | DATE | BY | APPV | DESCRIPTION |
| -         | -    | -  | -    | SEE SHEET 1 |



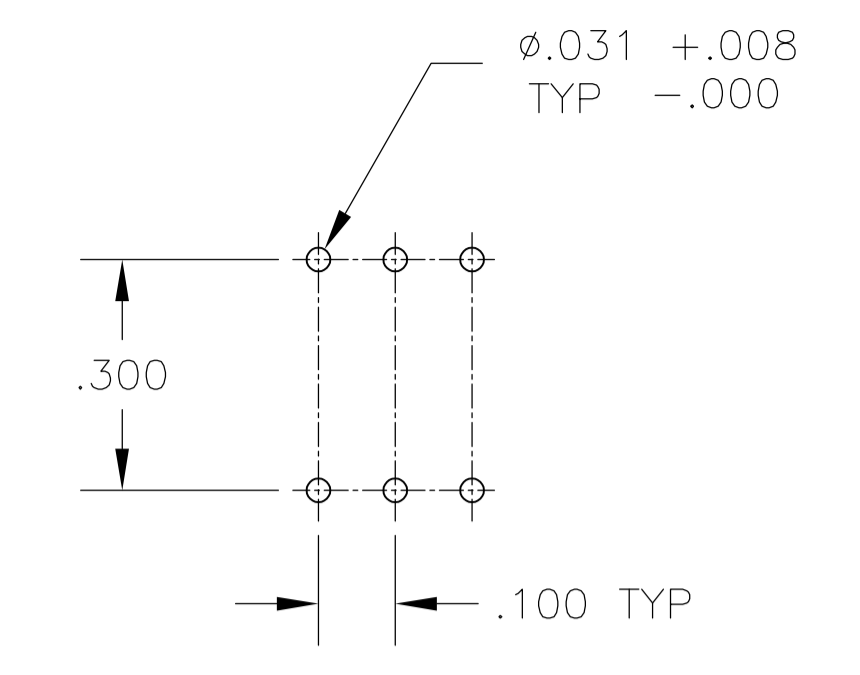
DRM  
PC MOUNT



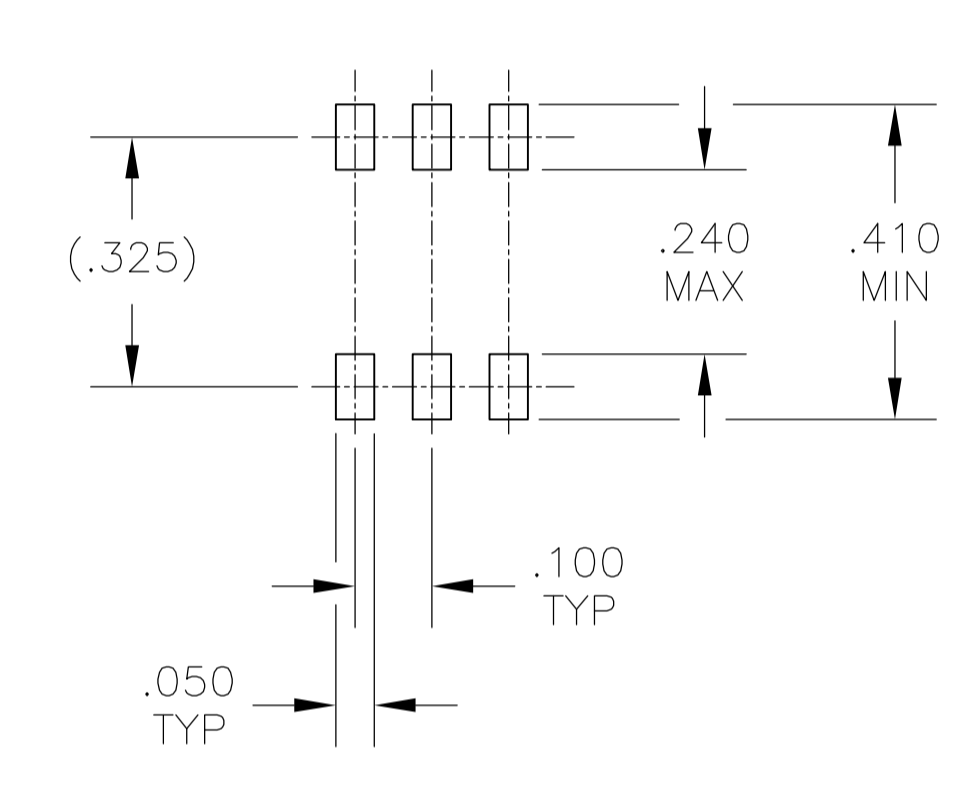
DRW  
PC MOUNT



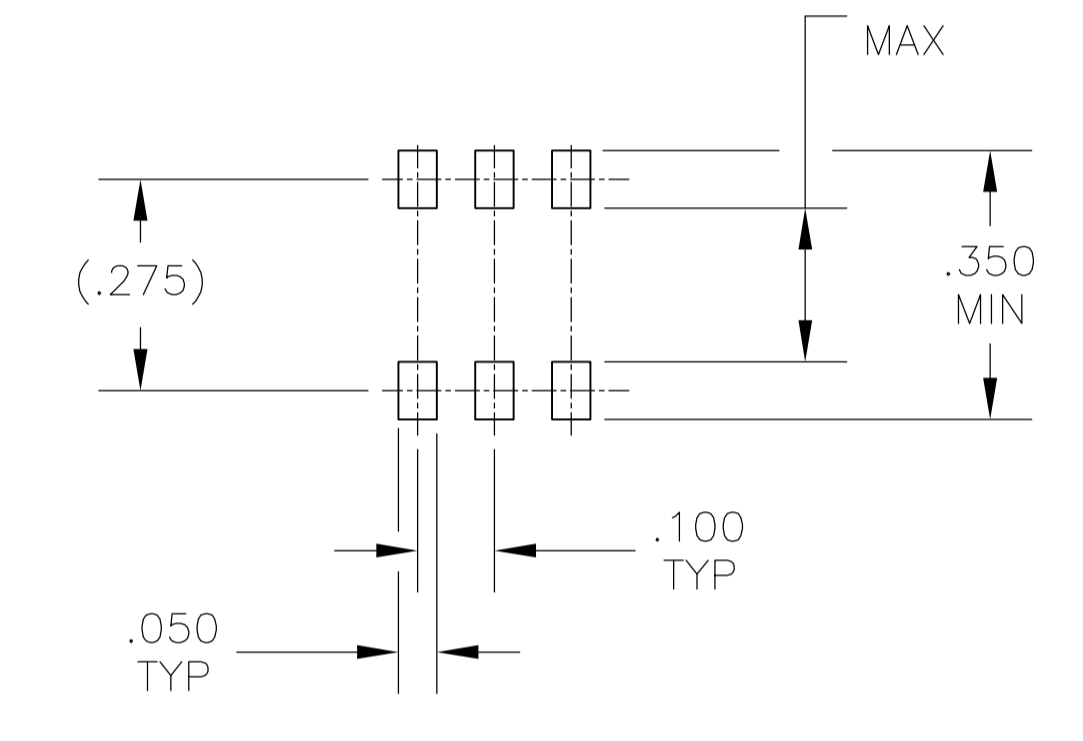
'S' STYLE VERTICAL



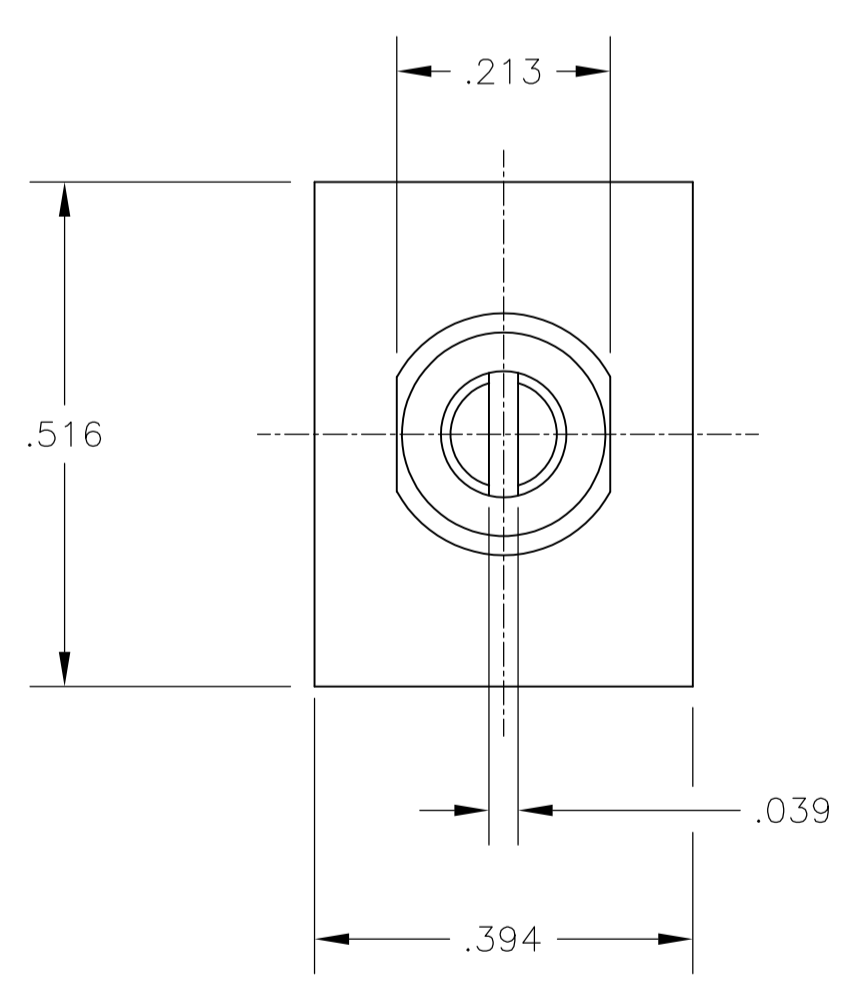
PC



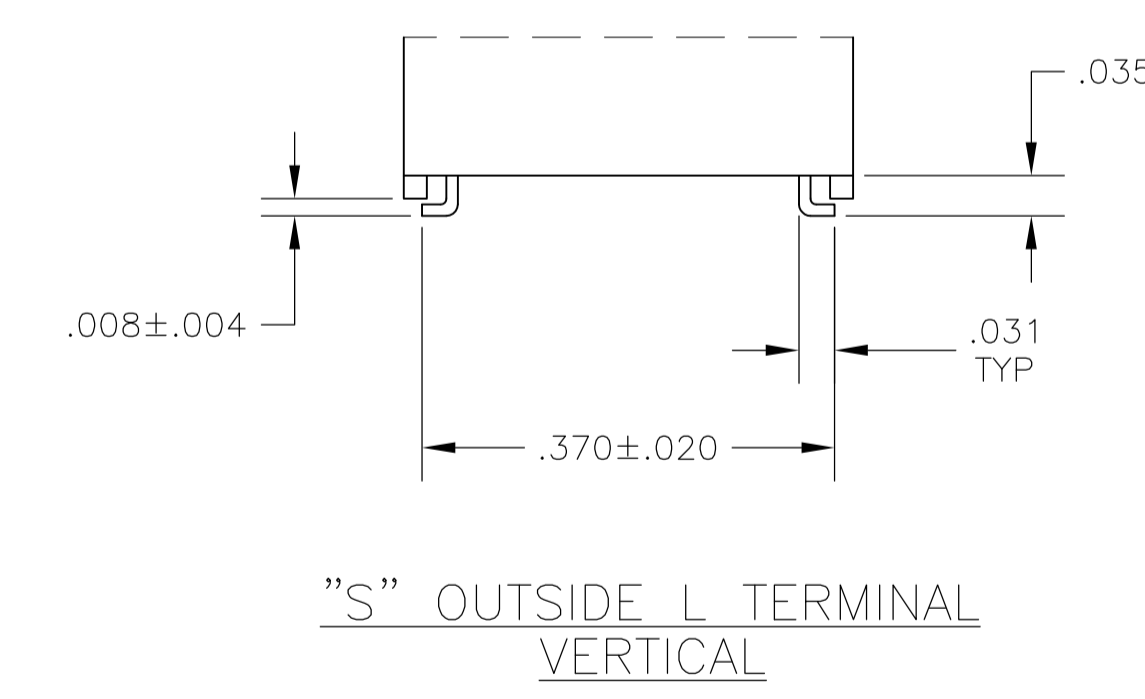
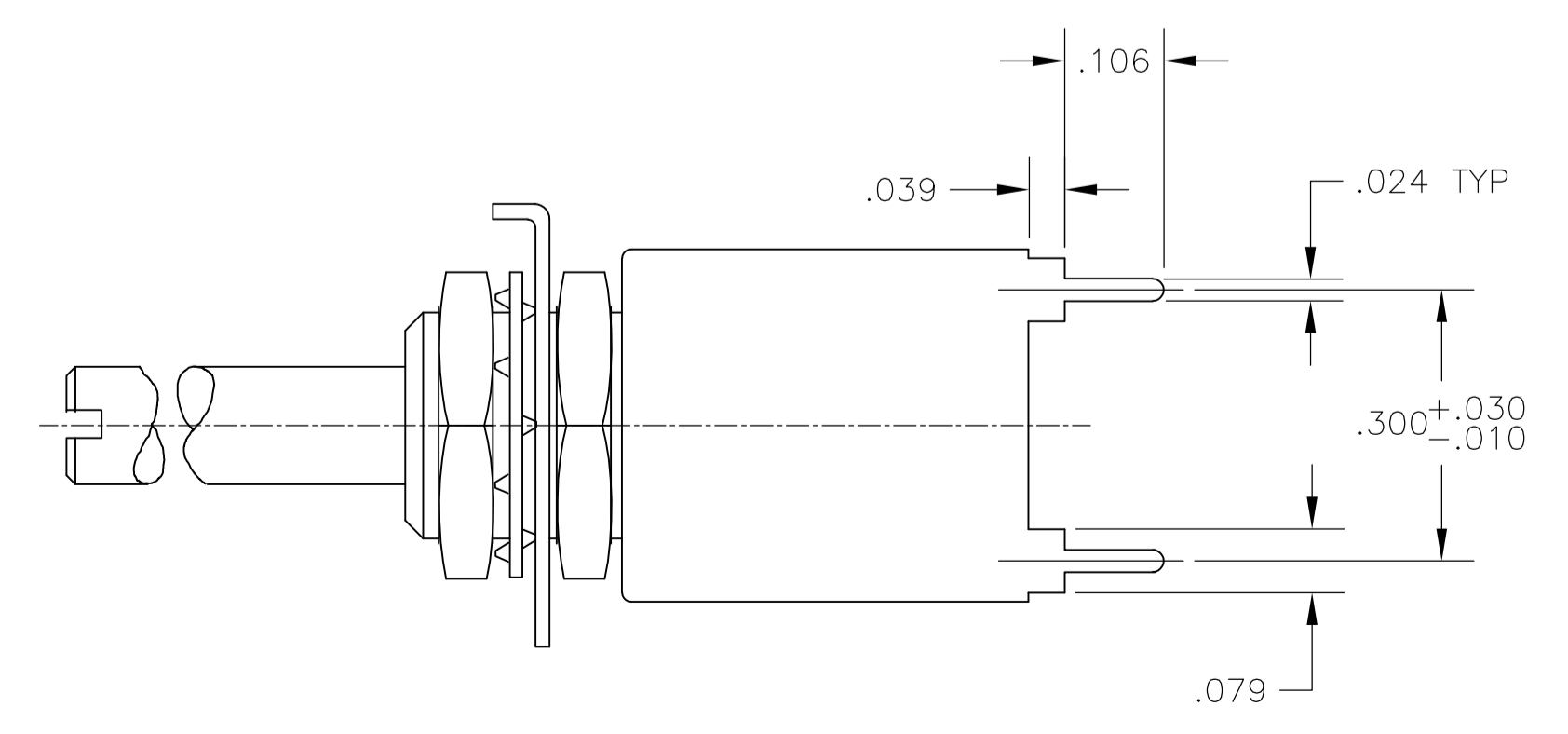
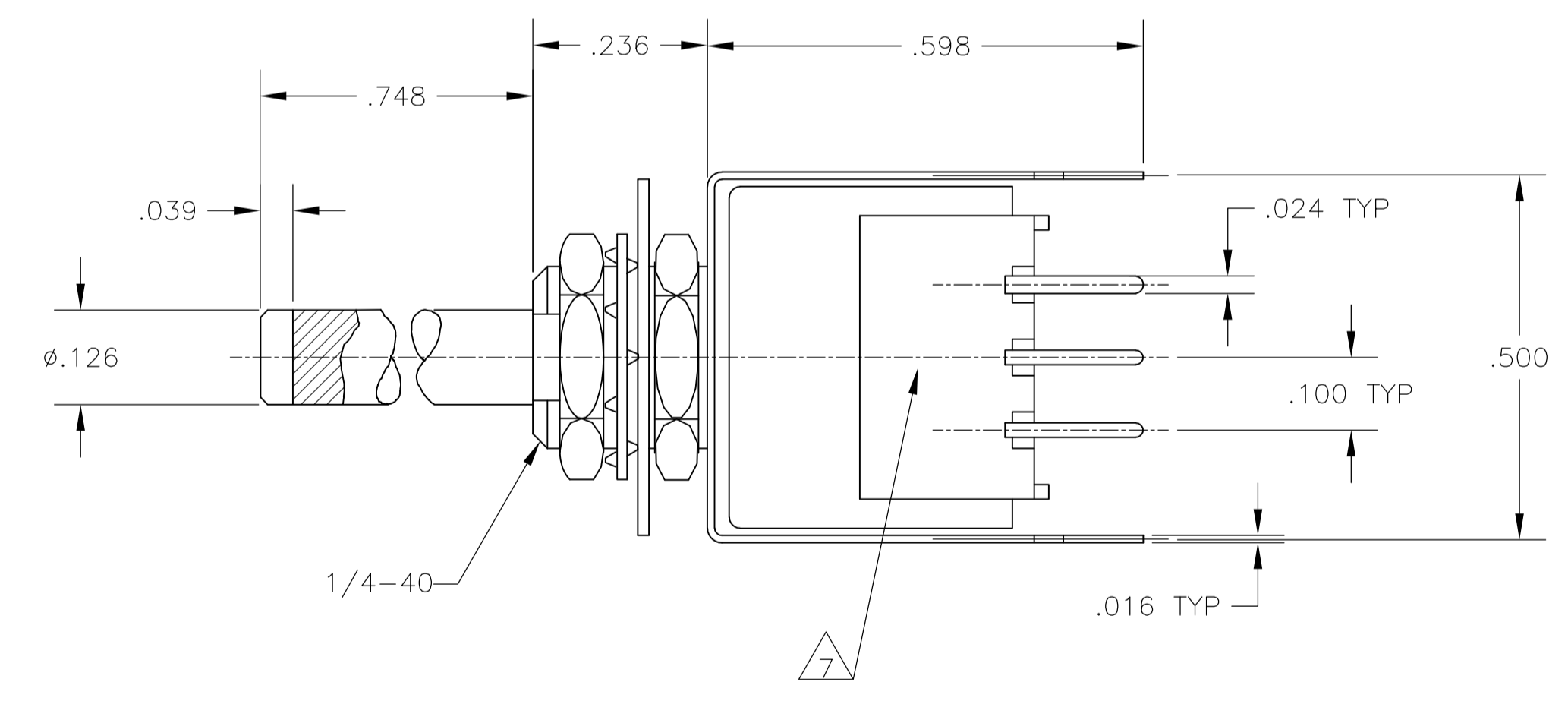
OUTSIDE "L"



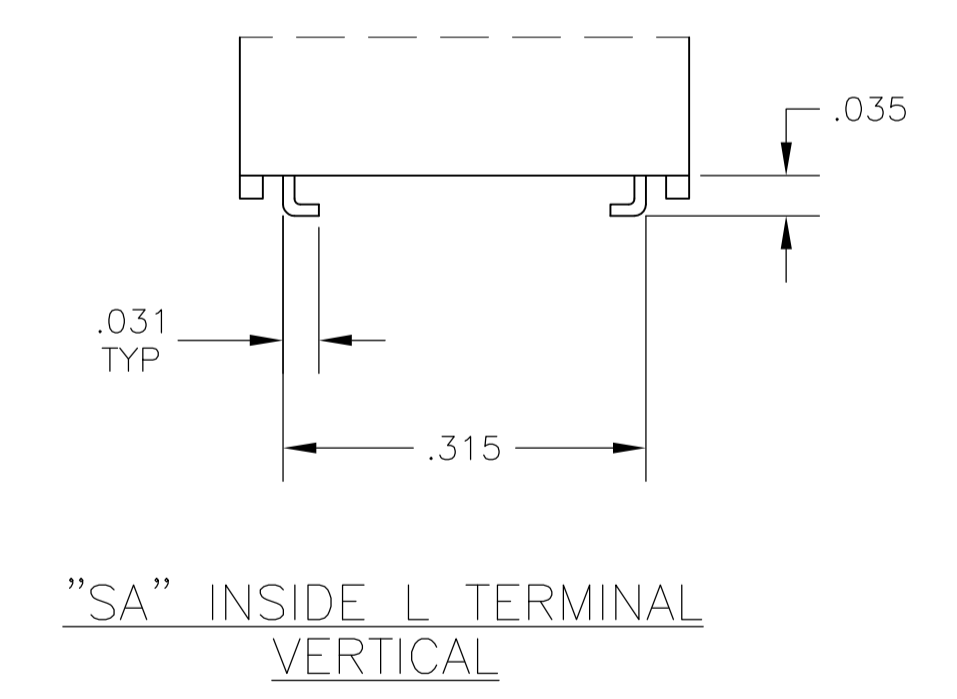
INSIDE "L"



DRS  
'S' STYLE VERTICAL



'S' OUTSIDE L TERMINAL  
VERTICAL



'SA' INSIDE L TERMINAL  
VERTICAL

|  |  |                  |         |                  |            |
|--|--|------------------|---------|------------------|------------|
| THIS DRAWING IS A CONTROLLED DOCUMENT.   |  | DIN              | 20JUN05 | TE Connectivity  |            |
| DIMENSIONS: INCHES   |  | BSV              | -       |                  |            |
| TOLERANCES UNLESS OTHERWISE SPECIFIED:   |  | CHK              | -       | NAME             |            |
| 0. PLC ± -<br>1. PLC ± -<br>2. PLC ± -<br>3. PLC ± .010<br>4. PLC ± -<br>ANGLES ± 1° |  | MSS              | -       | PRODUCT SPEC     |            |
| MATERIAL   |  | APVD             | -       | APPLICATION SPEC |            |
| FINISH   |  | SIZE             | A1      | CAGE CODE        | DRAWING NO |
|  |  | WEIGHT           | 0       | 100779           | 1825033    |
|  |  | CUSTOMER DRAWING |         | SCALE            | 4:1        |
|  |  | SHEET            |         | 2                | 2          |
|  |  | REV              |         | A4               |            |

## Данный компонент на территории Российской Федерации

### Вы можете приобрести в компании MosChip.

Для оперативного оформления запроса Вам необходимо перейти по данной ссылке:

<http://moschip.ru/get-element>

Вы можете разместить у нас заказ для любого Вашего проекта, будь то серийное производство или разработка единичного прибора.

В нашем ассортименте представлены ведущие мировые производители активных и пассивных электронных компонентов.

Нашей специализацией является поставка электронной компонентной базы двойного назначения, продукции таких производителей как XILINX, Intel (ex.ALTERA), Vicor, Microchip, Texas Instruments, Analog Devices, Mini-Circuits, Amphenol, Glenair.

Сотрудничество с глобальными дистрибьюторами электронных компонентов, предоставляет возможность заказывать и получать с международных складов практически любой перечень компонентов в оптимальные для Вас сроки.

На всех этапах разработки и производства наши партнеры могут получить квалифицированную поддержку опытных инженеров.

Система менеджмента качества компании отвечает требованиям в соответствии с ГОСТ Р ИСО 9001, ГОСТ РВ 0015-002 и ЭС РД 009

### Офис по работе с юридическими лицами:

105318, г.Москва, ул.Щербаковская д.3, офис 1107, 1118, ДЦ «Щербаковский»

Телефон: +7 495 668-12-70 (многоканальный)

Факс: +7 495 668-12-70 (доб.304)

E-mail: [info@moschip.ru](mailto:info@moschip.ru)

Skype отдела продаж:

moschip.ru

moschip.ru\_4

moschip.ru\_6

moschip.ru\_9