

## SKV Series



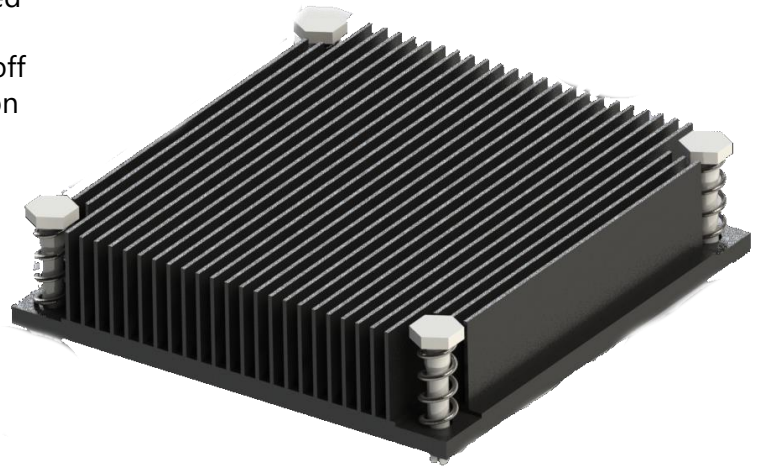
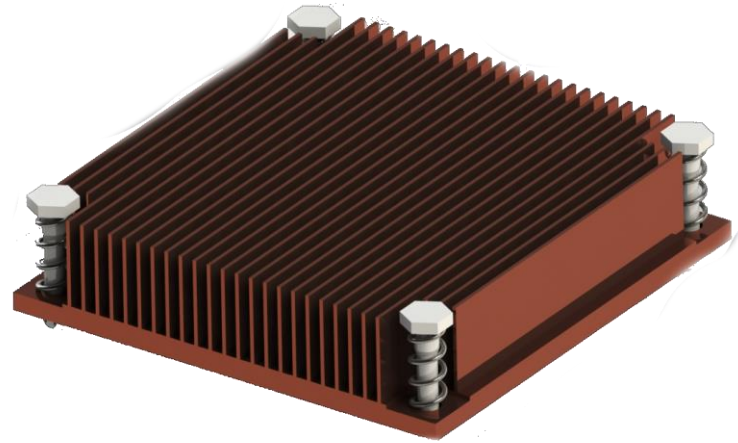
Skived Fin heat sinks can be an alternative to extruded heat sinks when looking for a fin density which can't be achieved by extrusion technology. Skived heat sinks can be manufactured from either copper or aluminum and usually have 0.5 (0.020") thick fins.

Skived heat sinks are produced using a series of sharp knives that, as they pass over the material, curl up a small thickness of metal which is then bent vertically to form the fin. Skived fins are produced from a bar of material which is approximately 16 feet in length and then cut to length as required by the final application.

The final heat sink can be machined using normal fabrication techniques. Because of the thin fins, care must be taken in handling to prevent damage. It is suggested that a shroud be placed over the fins to help prevent damage. Wakefield- Vette SKV Series offers standard off the shelf solutions for customer applications in addition to custom solutions utilizing a plastic pin attachment.

### Features:

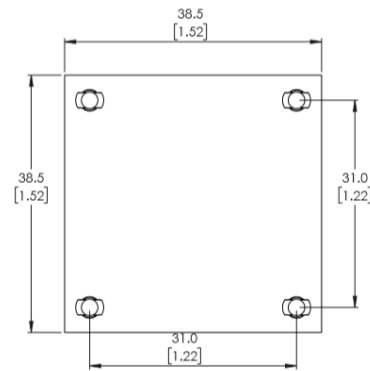
- Plastic push pin attachment for easy insertion
- Plastic pins ensure integrity of the PCB Board
- High fin densities in comparison to extrusion
- No interface between fins and base
- Minimal tooling cost for non-standards
- Improved thermal performance



| WKV Part Number | Description                      | Attachment Method | Length           | Width            | Height Off Base (Height of Fin) | Thermal Resistance @ Forced Air Flow | Thermal Resistance @ Natural | Material |
|-----------------|----------------------------------|-------------------|------------------|------------------|---------------------------------|--------------------------------------|------------------------------|----------|
| SKV38538514-CU  | COPPER HEATSINK 38.5X37.6X14MM   | Plastic Push Pin  | 1.480" (37.59mm) | 1.516" (38.50mm) | 0.551" (14.00mm)                | 2.60°C/W @ 200 LFM                   | 15.90°C/W                    | Copper   |
| SKV38538514-AL  | ALUMINUM HEATSINK 38.5X37.6X14MM | Plastic Push Pin  | 1.480" (37.59mm) | 1.516" (38.50mm) | 0.551" (14.00mm)                | 2.70°C/W @ 200 LFM                   | 17.20°C/W                    | Aluminum |
| SKV4545225-CU   | COPPER HEATSINK 45X44X22.5MM     | Plastic Push Pin  | 1.732" (44.00mm) | 1.772" (45.00mm) | 0.886" (22.50mm)                | 1.65°C/W @ 200 LFM                   | 8.00°C/W                     | Copper   |
| SKV4545225-AL   | ALUMINUM HEATSINK 45X44X22.5MM   | Plastic Push Pin  | 1.732" (44.00mm) | 1.772" (45.00mm) | 0.886" (22.50mm)                | 1.75°C/W @ 200 LFM                   | 8.70°C/W                     | Aluminum |
| SKV505014-CU    | COPPER HEATSINK 50X50X14MM       | Plastic Push Pin  | 1.969" (50.00mm) | 1.969" (50.00mm) | 0.551" (14.00mm)                | 2.10°C/W @ 200 LFM                   | 8.90°C/W                     | Copper   |
| SKV505014-AL    | ALUMINUM HEATSINK 50X50X14MM     | Plastic Push Pin  | 1.969" (50.00mm) | 1.969" (50.00mm) | 0.551" (14.00mm)                | 2.20°C/W @ 200 LFM                   | 9.90°C/W                     | Aluminum |
| SKV585811-CU    | COPPER HEATSINK 57.9X59X11MM     | Plastic Push Pin  | 2.323" (59.00mm) | 2.280" (57.91mm) | 0.433" (11.00mm)                | 1.90°C/W @ 200 LFM                   | 7.70°C/W                     | Copper   |
| SKV585811-AL    | ALUMINUM HEATSINK 57.9X59X11MM   | Plastic Push Pin  | 2.323" (59.00mm) | 2.280" (57.91mm) | 0.433" (11.00mm)                | 2.00°C/W @ 200 LFM                   | 8.40°C/W                     | Aluminum |
| SKV606014-CU    | COPPER HEATSINK 60X60X14MM       | Plastic Push Pin  | 2.362" (60.00mm) | 2.362" (60.00mm) | 0.551" (14.00mm)                | 1.70°C/W @ 200 LFM                   | 7.00°C/W                     | Copper   |
| SKV606014-AL    | ALUMINUM HEATSINK 60X60X14MM     | Plastic Push Pin  | 2.362" (60.00mm) | 2.362" (60.00mm) | 0.551" (14.00mm)                | 1.80°C/W @ 200 LFM                   | 7.60°C/W                     | Aluminum |
| SKV606021-CU    | COPPER HEATSINK 60X60X21MM       | Plastic Push Pin  | 2.362" (60.00mm) | 2.362" (60.00mm) | 0.866" (21.00mm)                | 0.80°C/W @ 300 LFM                   | 7.20°C/W                     | Copper   |
| SKV606021-AL    | ALUMINUM HEATSINK 60X60X21MM     | Plastic Push Pin  | 2.362" (60.00mm) | 2.362" (60.00mm) | 0.866" (21.00mm)                | 0.90°C/W @ 200 LFM                   | 7.90°C/W                     | Aluminum |
| SKV707014-CU    | COPPER HEATSINK 70X70X14MM       | Plastic Push Pin  | 2.717" (69.00mm) | 2.756" (70.00mm) | 0.551" (14.00mm)                | 1.40°C/W @ 200 LFM                   | 5.60°C/W                     | Copper   |
| SKV707014-AL    | ALUMINUM HEATSINK 70X70X14MM     | Plastic Push Pin  | 2.717" (69.00mm) | 2.756" (70.00mm) | 0.551" (14.00mm)                | 1.50°C/W @ 200 LFM                   | 6.30°C/W                     | Aluminum |
| SKV808012-CU    | COPPER HEATSINK 80X80X12MM       | Plastic Push Pin  | 3.150" (80.00mm) | 3.150" (80.00mm) | 0.472" (12.00mm)                | 1.20°C/W @ 200 LFM                   | 5.10°C/W                     | Copper   |
| SKV808012-AL    | ALUMINUM HEATSINK 80X80X12MM     | Plastic Push Pin  | 3.150" (80.00mm) | 3.150" (80.00mm) | 0.472" (12.00mm)                | 1.30°C/W @ 200 LFM                   | 5.70°C/W                     | Aluminum |
| SKV909010-CU    | COPPER HEATSINK 90X90X10MM       | Plastic Push Pin  | 3.543" (90.00mm) | 3.543" (90.00mm) | 0.394" (10.00mm)                | 1.30°C/W @ 200 LFM                   | 4.50°C/W                     | Copper   |
| SKV909010-AL    | ALUMINUM HEATSINK 90X90X10MM     | Plastic Push Pin  | 3.543" (90.00mm) | 3.543" (90.00mm) | 0.394" (10.00mm)                | 1.40°C/W @ 200 LFM                   | 5.00°C/W                     | Aluminum |

## SKV Series

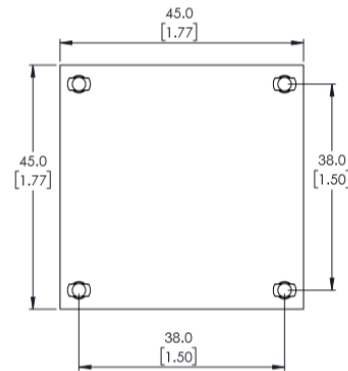
| WKV Part Number | Description                      | Attachment Method | Length           | Width            | Height Off Base (Height of Fin) | Thermal Resistance @ Forced Air Flow | Thermal Resistance @ Natural |
|-----------------|----------------------------------|-------------------|------------------|------------------|---------------------------------|--------------------------------------|------------------------------|
| SKV38538514-CU  | COPPER HEATSINK 38.5X37.6X14MM   | Plastic Push Pin  | 1.480" (37.59mm) | 1.516" (38.50mm) | 0.551" (14.00mm)                | 2.60°C/W @ 200 LFM                   | 15.90°C/W                    |
| SKV38538514-AL  | ALUMINUM HEATSINK 38.5X37.6X14MM | Plastic Push Pin  | 1.480" (37.59mm) | 1.516" (38.50mm) | 0.551" (14.00mm)                | 2.70°C/W @ 200 LFM                   | 17.20°C/W                    |



**NOTES:**

1. INCLUDES 4 PLASTIC PUSHPIN/SPRINGS
2. SUGGESTED PCB HOLES SIZE:  $\phi 3.1 \pm 0.3$  ( $\phi 0.122 \pm 0.001$ )
3. MAXIMUM STACKUP (PCB+COMPONENT) = 4.0MM (0.157)

| WKV Part Number | Description                    | Attachment Method | Length           | Width            | Height Off Base (Height of Fin) | Thermal Resistance @ Forced Air Flow | Thermal Resistance @ Natural | Material |
|-----------------|--------------------------------|-------------------|------------------|------------------|---------------------------------|--------------------------------------|------------------------------|----------|
| SKV4545225-CU   | COPPER HEATSINK 45X44X22.5MM   | Plastic Push Pin  | 1.732" (44.00mm) | 1.772" (45.00mm) | 0.886" (22.50mm)                | 1.65°C/W @ 200 LFM                   | 8.00°C/W                     | Copper   |
| SKV4545225-AL   | ALUMINUM HEATSINK 45X44X22.5MM | Plastic Push Pin  | 1.732" (44.00mm) | 1.772" (45.00mm) | 0.886" (22.50mm)                | 1.75°C/W @ 200 LFM                   | 8.70°C/W                     | Aluminum |



**NOTES:**

1. INCLUDES 4 PLASTIC PUSHPIN/SPRINGS
2. SUGGESTED PCB HOLES SIZE:  $\phi 3.1 \pm 0.3$  ( $\phi 0.122 \pm 0.001$ )
3. MAXIMUM STACKUP (PCB+COMPONENT) = 4.0MM (0.157)

| WKV Part Number | Description                  | Attachment Method | Length           | Width            | Height Off Base (Height of Fin) | Thermal Resistance @ Forced Air Flow | Thermal Resistance @ Natural | Material |
|-----------------|------------------------------|-------------------|------------------|------------------|---------------------------------|--------------------------------------|------------------------------|----------|
| SKV505014-CU    | COPPER HEATSINK 50X50X14MM   | Plastic Push Pin  | 1.969" (50.00mm) | 1.969" (50.00mm) | 0.551" (14.00mm)                | 2.10°C/W @ 200 LFM                   | 8.90°C/W                     | Copper   |
| SKV505014-AL    | ALUMINUM HEATSINK 50X50X14MM | Plastic Push Pin  | 1.969" (50.00mm) | 1.969" (50.00mm) | 0.551" (14.00mm)                | 2.20°C/W @ 200 LFM                   | 9.90°C/W                     | Aluminum |



**NOTES:**

1. INCLUDES 4 PLASTIC PUSHPIN/SPRINGS
2. SUGGESTED PCB HOLES SIZE:  $\phi 3.1 \pm 0.3$  ( $\phi 0.122 \pm 0.001$ )
3. MAXIMUM STACKUP (PCB+COMPONENT) = 4.0MM (0.157)

# Copper & Aluminum Skived Fin Heat Sink

## SKV Series

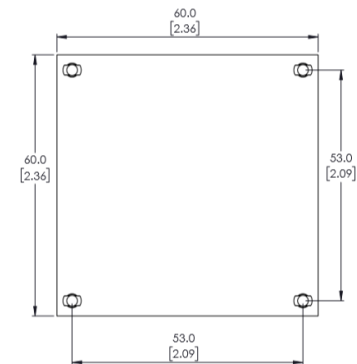
| WKV Part Number | Description                    | Attachment Method                 | Length           | Width            | Height Off Base (Height of Fin) | Thermal Resistance @ Forced Air Flow | Thermal Resistance @ Natural | Material |
|-----------------|--------------------------------|-----------------------------------|------------------|------------------|---------------------------------|--------------------------------------|------------------------------|----------|
| SKV585811-CU    | COPPER HEATSINK 57.9X59X11MM   | Plastic Push Pin 2.323" (59.00mm) | 2.280" (57.91mm) | 2.280" (57.91mm) | 0.433" (11.00mm)                | 1.90°C/W @ 200 LFM                   | 7.70°C/W                     | Copper   |
| SKV585811-AL    | ALUMINUM HEATSINK 57.9X59X11MM | Plastic Push Pin 2.323" (59.00mm) | 2.280" (57.91mm) | 2.280" (57.91mm) | 0.433" (11.00mm)                | 2.00°C/W @ 200 LFM                   | 8.40°C/W                     | Aluminum |



**NOTES:**

1. INCLUDES 4 PLASTIC PUSHPIN/SPRINGS
2. SUGGESTED PCB HOLES SIZE:  $\phi 3.1 \pm 0.3$  ( $\phi 0.122 \pm 0.001$ )
3. MAXIMUM STACKUP (PCB+COMPONENT) = 4.0MM (0.157)

| WKV Part Number | Description                  | Attachment Method                 | Length           | Width            | Height Off Base (Height of Fin) | Thermal Resistance @ Forced Air Flow | Thermal Resistance @ Natural | Material |
|-----------------|------------------------------|-----------------------------------|------------------|------------------|---------------------------------|--------------------------------------|------------------------------|----------|
| SKV606014-CU    | COPPER HEATSINK 60X60X14MM   | Plastic Push Pin 2.362" (60.00mm) | 2.362" (60.00mm) | 2.362" (60.00mm) | 0.551" (14.00mm)                | 1.70°C/W @ 200 LFM                   | 7.00°C/W                     | Copper   |
| SKV606014-AL    | ALUMINUM HEATSINK 60X60X14MM | Plastic Push Pin 2.362" (60.00mm) | 2.362" (60.00mm) | 2.362" (60.00mm) | 0.551" (14.00mm)                | 1.80°C/W @ 200 LFM                   | 7.60°C/W                     | Aluminum |



**NOTES:**

1. INCLUDES 4 PLASTIC PUSHPIN/SPRINGS
2. SUGGESTED PCB HOLES SIZE:  $\phi 3.1 \pm 0.3$  ( $\phi 0.122 \pm 0.001$ )
3. MAXIMUM STACKUP (PCB+COMPONENT) = 4.0MM (0.157)

| WKV Part Number | Description                  | Attachment Method                 | Length           | Width            | Height Off Base (Height of Fin) | Thermal Resistance @ Forced Air Flow | Thermal Resistance @ Natural | Material |
|-----------------|------------------------------|-----------------------------------|------------------|------------------|---------------------------------|--------------------------------------|------------------------------|----------|
| SKV606021-CU    | COPPER HEATSINK 60X60X21MM   | Plastic Push Pin 2.362" (60.00mm) | 2.362" (60.00mm) | 2.362" (60.00mm) | 0.866" (21.00mm)                | 0.80°C/W @ 300 LFM                   | 7.20°C/W                     | Copper   |
| SKV606021-AL    | ALUMINUM HEATSINK 60X60X21MM | Plastic Push Pin 2.362" (60.00mm) | 2.362" (60.00mm) | 2.362" (60.00mm) | 0.866" (21.00mm)                | 0.90°C/W @ 200 LFM                   | 7.90°C/W                     | Aluminum |

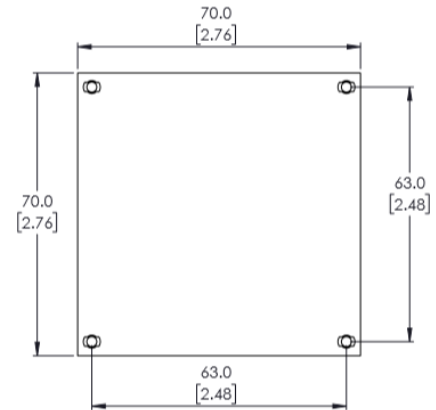


**NOTES:**

1. INCLUDES 4 PLASTIC PUSHPIN/SPRINGS
2. SUGGESTED PCB HOLES SIZE:  $\phi 3.1 \pm 0.3$  ( $\phi 0.122 \pm 0.001$ )
3. MAXIMUM STACKUP (PCB+COMPONENT) = 4.0MM (0.157)

## SKV Series

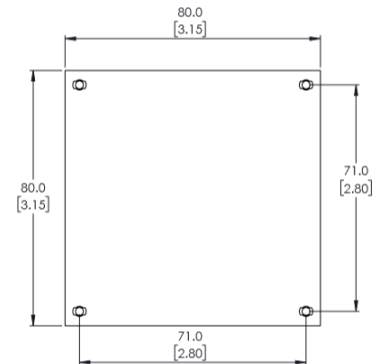
| WKV Part Number | Description                  | Attachment Method | Length           | Width            | Height Off Base (Height of Fin) | Thermal Resistance @ Forced Air Flow | Thermal Resistance @ Natural | Material |
|-----------------|------------------------------|-------------------|------------------|------------------|---------------------------------|--------------------------------------|------------------------------|----------|
| SKV707014-CU    | COPPER HEATSINK 70X70X14MM   | Plastic Push Pin  | 2.717" (69.00mm) | 2.756" (70.00mm) | 0.551" (14.00mm)                | 1.40°C/W @ 200 LFM                   | 5.60°C/W                     | Copper   |
| SKV707014-AL    | ALUMINUM HEATSINK 70X70X14MM | Plastic Push Pin  | 2.717" (69.00mm) | 2.756" (70.00mm) | 0.551" (14.00mm)                | 1.50°C/W @ 200 LFM                   | 6.30°C/W                     | Aluminum |



**NOTI**

1. INCLUDES 4 PLASTIC PUSHPIN/SPRINGS
2. SUGGESTED PCB HOLES SIZE:  $\phi 3.1 \pm 0.3$  ( $\phi 0.122 \pm 0.001$ )
3. MAXIMUM STACKUP (PCB+COMPONENT) = 4.0MM (0.157)

| WKV Part Number | Description                  | Attachment Method | Length           | Width            | Height Off Base (Height of Fin) | Thermal Resistance @ Forced Air Flow | Thermal Resistance @ Natural | Material |
|-----------------|------------------------------|-------------------|------------------|------------------|---------------------------------|--------------------------------------|------------------------------|----------|
| SKV808012-CU    | COPPER HEATSINK 80X80X12MM   | Plastic Push Pin  | 3.150" (80.00mm) | 3.150" (80.00mm) | 0.472" (12.00mm)                | 1.20°C/W @ 200 LFM                   | 5.10°C/W                     | Copper   |
| SKV808012-AL    | ALUMINUM HEATSINK 80X80X12MM | Plastic Push Pin  | 3.150" (80.00mm) | 3.150" (80.00mm) | 0.472" (12.00mm)                | 1.30°C/W @ 200 LFM                   | 5.70°C/W                     | Aluminum |



**NOTES:**

1. INCLUDES 4 PLASTIC PUSHPIN/SPRINGS
2. SUGGESTED PCB HOLES SIZE:  $\phi 3.1 \pm 0.3$  ( $\phi 0.122 \pm 0.001$ )
3. MAXIMUM STACKUP (PCB+COMPONENT) = 4.0MM (0.157)

| WKV Part Number | Description                  | Attachment Method | Length           | Width            | Height Off Base (Height of Fin) | Thermal Resistance @ Forced Air Flow | Thermal Resistance @ Natural | Material |
|-----------------|------------------------------|-------------------|------------------|------------------|---------------------------------|--------------------------------------|------------------------------|----------|
| SKV909010-CU    | COPPER HEATSINK 90X90X10MM   | Plastic Push Pin  | 3.543" (90.00mm) | 3.543" (90.00mm) | 0.394" (10.00mm)                | 1.30°C/W @ 200 LFM                   | 4.50°C/W                     | Copper   |
| SKV909010-AL    | ALUMINUM HEATSINK 90X90X10MM | Plastic Push Pin  | 3.543" (90.00mm) | 3.543" (90.00mm) | 0.394" (10.00mm)                | 1.40°C/W @ 200 LFM                   | 5.00°C/W                     | Aluminum |



**NOTES:**

1. INCLUDES 4 PLASTIC PUSHPIN/SPRINGS
2. SUGGESTED PCB HOLES SIZE:  $\phi 3.1 \pm 0.3$  ( $\phi 0.122 \pm 0.001$ )
3. MAXIMUM STACKUP (PCB+COMPONENT) = 4.0MM (0.157)

## Данный компонент на территории Российской Федерации

### Вы можете приобрести в компании MosChip.

Для оперативного оформления запроса Вам необходимо перейти по данной ссылке:

<http://moschip.ru/get-element>

Вы можете разместить у нас заказ для любого Вашего проекта, будь то серийное производство или разработка единичного прибора.

В нашем ассортименте представлены ведущие мировые производители активных и пассивных электронных компонентов.

Нашей специализацией является поставка электронной компонентной базы двойного назначения, продукции таких производителей как XILINX, Intel (ex.ALTERA), Vicor, Microchip, Texas Instruments, Analog Devices, Mini-Circuits, Amphenol, Glenair.

Сотрудничество с глобальными дистрибьюторами электронных компонентов, предоставляет возможность заказывать и получать с международных складов практически любой перечень компонентов в оптимальные для Вас сроки.

На всех этапах разработки и производства наши партнеры могут получить квалифицированную поддержку опытных инженеров.

Система менеджмента качества компании отвечает требованиям в соответствии с ГОСТ Р ИСО 9001, ГОСТ РВ 0015-002 и ЭС РД 009

### Офис по работе с юридическими лицами:

105318, г.Москва, ул.Щербаковская д.3, офис 1107, 1118, ДЦ «Щербаковский»

Телефон: +7 495 668-12-70 (многоканальный)

Факс: +7 495 668-12-70 (доб.304)

E-mail: [info@moschip.ru](mailto:info@moschip.ru)

Skype отдела продаж:

moschip.ru

moschip.ru\_4

moschip.ru\_6

moschip.ru\_9