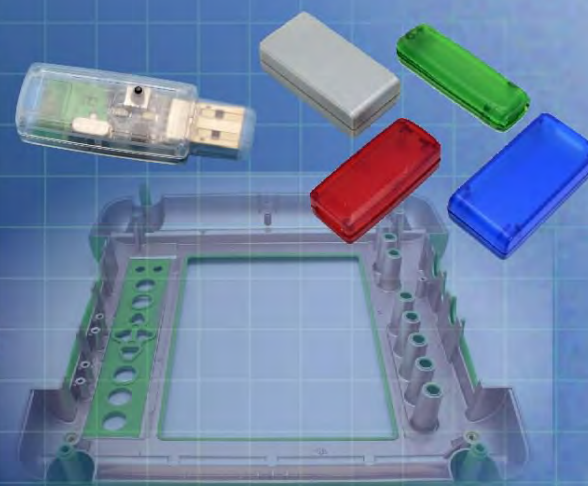


Ordering a market-ready enclosure® is made fast and affordable with our complete in-house capabilities. New Age provides machined openings to fit your PCB, pad printing for your graphics, custom enclosures, custom colors, final assembly, testing and fulfillment services to save you additional time and money. Ask your representative for a free quote today 805-595-1310.

## ***Fast and Affordable Customization***

**CNC Modifications  
Pad Printing  
Colored Resins  
EMI/RF Shielding  
Custom Enclosure  
Assembly & Testing**



ISO quality  
off-the-shelf  
to market-ready®

# **NEW AGE ENCLOSURES**

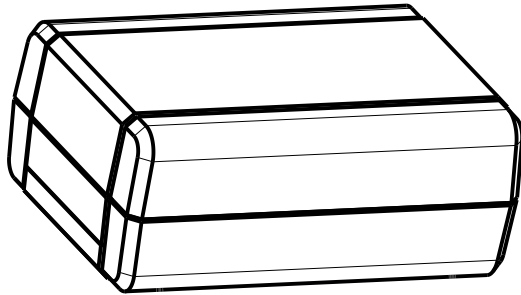
[www.NewAgeEnclosures.com](http://www.NewAgeEnclosures.com)

4330 Santa Fe Road • San Luis Obispo, CA 93401 • T 805.595.1310 • F 805.595.1024

NOTES: UNLESS OTHERWISE SPECIFIED

- CORNERS DRAWN SHARP TO BE R.005 MAXIMUM.
- EXTERIOR SURFACE TEXTURE TO BE LIGHT EDM FINISH. EQUIVALENT TO MT-11010.
- INTERIOR SURFACE TEXTURE TO BE: NONE.
- ALL INSIDE RADII .010R. ALL OUTSIDE RADII .020R MAX, UNLESS OTHERWISE SPECIFIED.
- ALL EXTERNAL DIMENSIONS AFFECTED BY THE DRAFT APPLY AT THE LARGE END OF THE FEATURE, AND ALL INTERNAL FEATURES AFFECTED BY THE DRAFT APPLY AT THE SMALL END OF THE FEATURE UNLESS OTHERWISE SPECIFIED.
- 1 DEGREE DRAFT IN THE DIRECTION OF PULL IS PERMISSIBLE UNLESS OTHERWISE SPECIFIED.
- ASSEMBLY SCREWS FOR THE ENCLOSURE INCLUDED.
- MATERIAL / COLOR: ABS PLASTIC IS STANDARD IN BLACK OR WHITE. CUSTOM MATERIALS AND COLORS ARE AVAILABLE UPON REQUEST FOR QUOTE.
- PCB SIZES ARE RECOMMENDATIONS ONLY. FINAL SIZES AND VERIFICATION OF ITS FIT ARE THE SOLE RESPONSIBILITY OF EACH CUSTOMER.

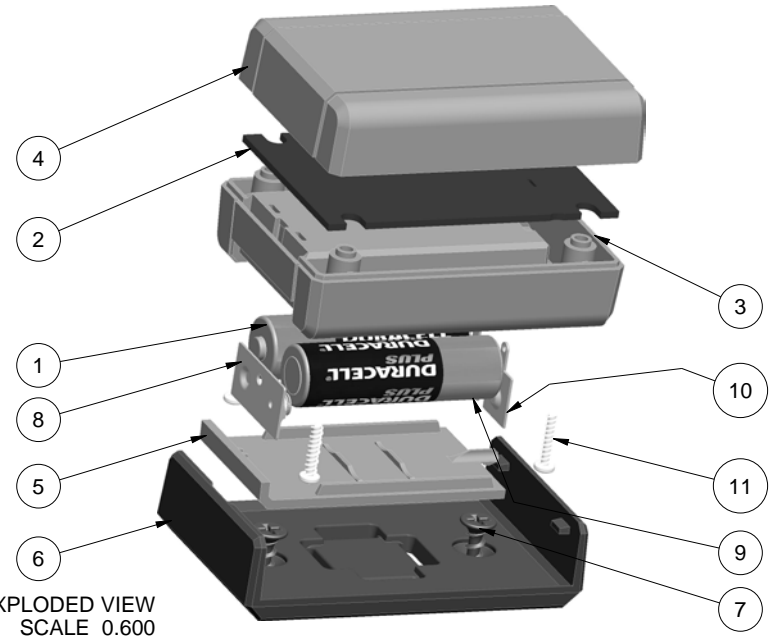
S302112(x) CONFIGURATIONS					
	-Blank	-T	-K	-TK	-WP
302112 COVER	1		1		
302112T COVER		1		1	
302112 BASE	1	1			
302112 MACHINED BASE			1	1	
302112 HATCH	1	1	1	1	
302112 WALL CRADLE			1	1	1
#4 HiLo SCREW .500"	4	4	4	4	



302112 STANDARD  
SCALE 0.750

R E V I S I O N

REV.	DRAWN BY	ECO No	DESCRIPTION	DATE	APPROVED
A	M BOYER		PRELIMINARY RELEASE	21-Nov-09	D.C.
H	M BOYER		ADD RIBS AFTER REVIEW 7-12-10	13-Jul-10	D.C.
1.0	M BOYER		RELEASED BY CUSTOMER	21-Jul-10	D.C.
2.0	M BOYER	3810	ADJUST PCB INFO AND PCB POSTS	28-Sep-10	D.C.
2.1	M BOYER	3810	UNAPPROVED REV 2.0, UPDATE FORMAT	30-Sep-10	D.C.
3.0	R CRUZ	7613	ADD "TALL" CONFIGURATION	18-Oct-13	D.C.
4.0	M BOYER	8613	INCLUDE WALL CRADLE OPTION	16-Dec-13	D.C.
5.0	R CRUZ	2214	UPDATE CONFIGURATION TABLE	19-May-14	D.C.
5.1	R CRUZ	5014	REMOVE SCREW HOLE ON CRADLE, "TALL" CONFIGURATION	26-Nov-14	D.C.
6.0	M BOYER	00615	INCLUDE KEEP OUT ZONE AND ADD NOTCHES TO PCB	23-Jan-15	



EXPLODED VIEW  
SCALE 0.600

ITEM	FILE NAME	DESCRIPTION	MATERIAL	COLOR	QTY.
11	SCREW_HILO-N04X500	#4 HiLo x .500" SCREW	STEEL	ZINK PLATED	4
10	AA-SINGL-CONTACT-POS	ACC-AAPOS-5223	SPRING STEEL	SOLD SEPERATELY	1
9	AA-SINGL-CONTACT-NEG	ACC-AANEG-5201	SPRING STEEL	SOLD SEPERATELY	1
8	AA-DBL-CONTACT	ACC-AADBL-5212	SPRING STEEL	SOLD SEPERATELY	1
7	SCREW-DRYWALLX750	DRYWALL SCREW - REFERENCE	CUSTOMER SUPPLIED	DRYWALL SCREW	2
6	302112_WALL-CRADLE	302112 WALL CRADLE - STANDARD	ABS	BLACK or WHITE	1
5	302112_HATCH	302112 HATCH - STANDARD	ABS	BLACK or WHITE	1
4	302112_COVER	302112 COVER - STANDARD	ABS	BLACK or WHITE	1
3	302112_BASE	302112 BASE - STANDARD	ABS	BLACK or WHITE	1
2	302112_PCB	302112 PCB - REFERENCE	CUSTOMER SUPPLIED	.062" THICK	1
1	AA-BATTERY	AA BATTERY - REFERENCE	CUSTOMER SUPPLIED	"AA" SIZE	2

BILL OF MATERIALS

THIRD ANGLE PROJECTION  
DO NOT SCALE DRAWING

TOLERANCES: UNLESS OTHERWISE SPECIFIED  
DIMENSIONS ARE IN U.S. INCHES.  
X.XX = .015 X.XXXX = .001  
X.XXX = .010 X.X" = 1°

**NEW AGE ENCLOSURES**  
4330 Santa Fe Road San Luis Obispo, CA. 93401  
ph. (805) 595-1310 fax (805) 595-1024

Customer's Part No: 302112

APPROVAL BY DATE

CHECK ENG.

SCALE AS NOTED

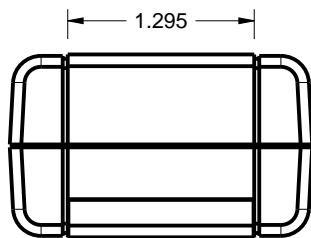
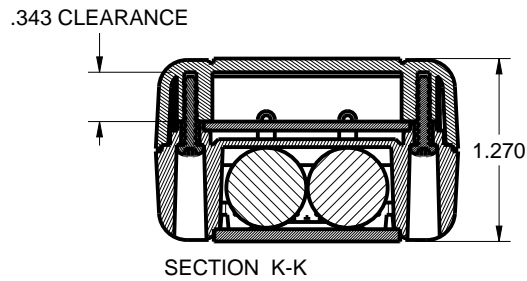
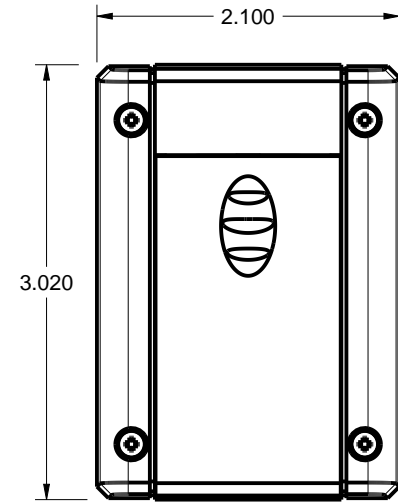
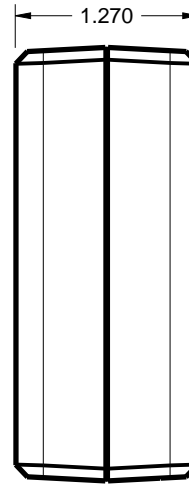
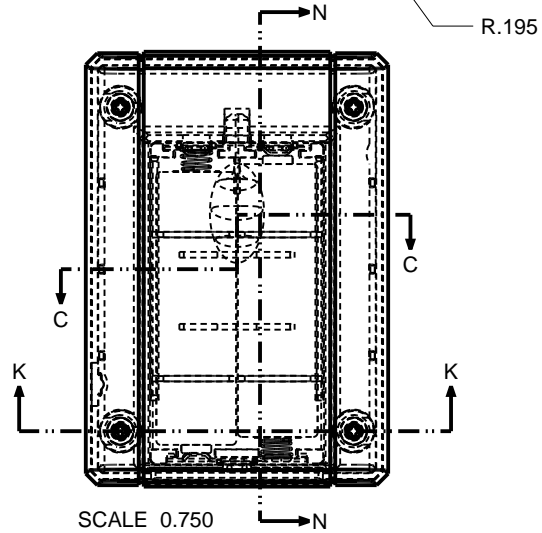
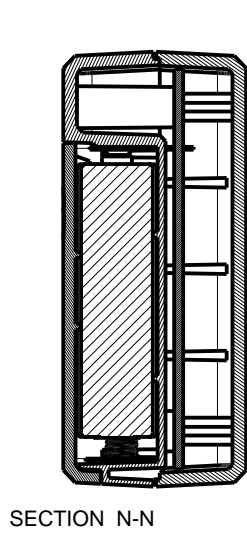
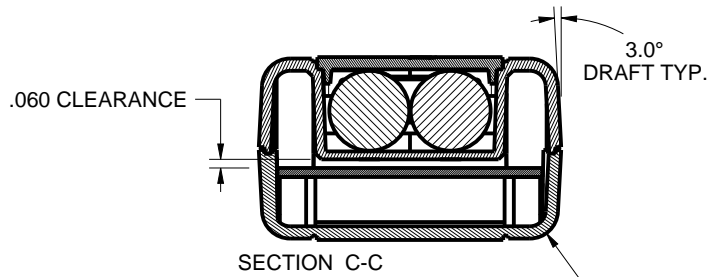
DRAWN BY M BOYER 21-Nov-09

STANDARD - MINI AA  
SXX-302112X-XXX

SIZE A DRAWING NAME 302112\_R6\_0 SHEET 1 OF 9 REV.DOC 6.0

NOTICE: THE INFORMATION AND DATA CONTAINED HEREIN IS CONSIDERED PROPRIETARY TO ALLTEC INTEGRATED MFG INC & SHALL REMAIN THE EXCLUSIVE PROPERTY OF ALLTEC INTEGRATED MFG INC. THE HOLDER WILL ASSUME CUSTODY AND CONTROL THAT THIS DOCUMENT WILL NOT BE COPIED, REPRODUCED, OR DISCLOSED WITHOUT THE EXPRESS WRITTEN CONSENT OF ALLTEC INTEGRATED MFG INC. THIS DOCUMENT DOES NOT CONSTITUTE A GRANT TO MANUFACTURE ANY ITEMS.  
© 2014





TOLERANCES: UNLESS OTHERWISE SPECIFIED  
DIMENSIONS ARE IN U.S. INCHES.  
X.XX = .015 X.XXXX = .001  
X.XXX = .010 X.X° = 1°

NEW AGE ENCLOSURES

Customer's Part No: 302112

APPROVAL BY DATE

CHECK

ENG.

SCALE AS NOTED

DRAWN BY M BOYER 21-Nov-09

**NEW AGE ENCLOSURES**

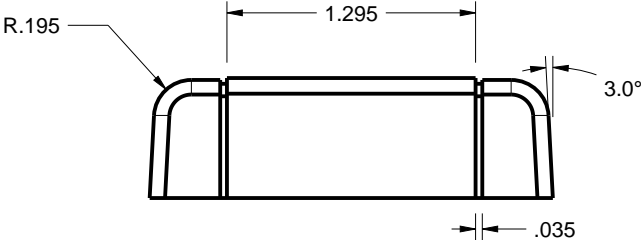
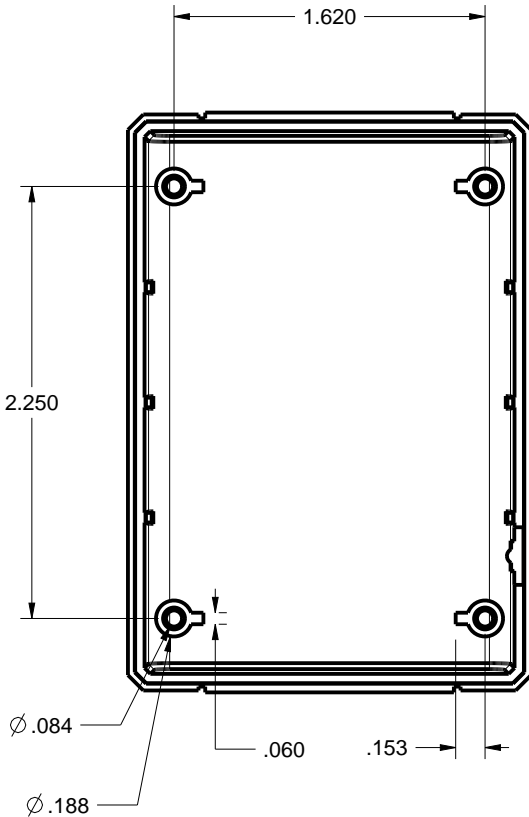
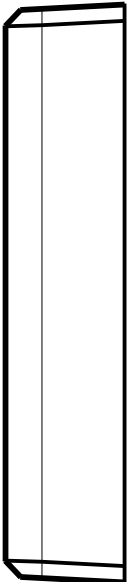
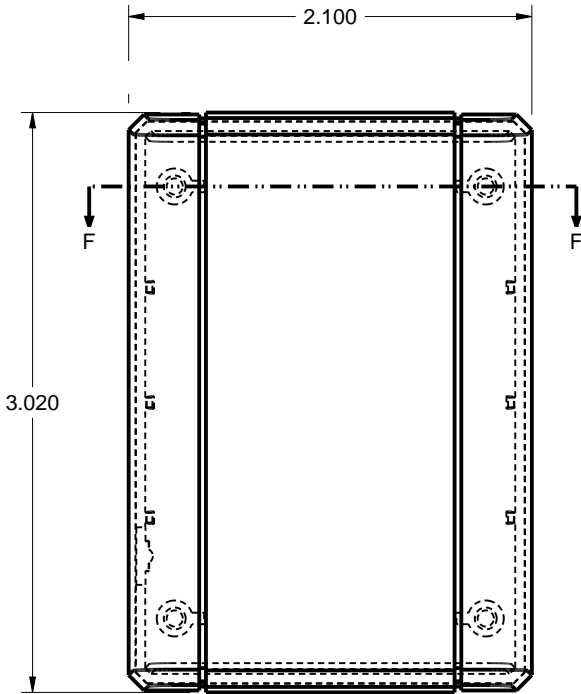
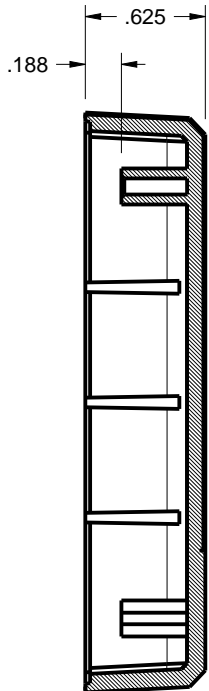
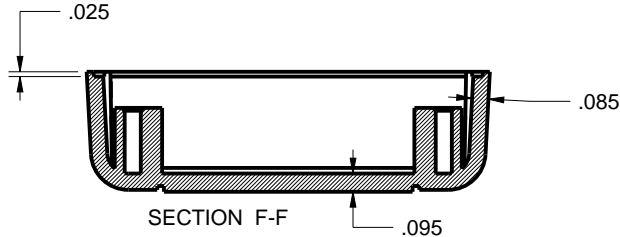
4330 Santa Fe Road San Luis Obispo, CA. 93401  
ph. (805) 595-1310 fax (805) 595-1024  
[www.newageenclosures.com](http://www.newageenclosures.com)

STANDARD - MINI AA  
SXX-302112X-XXX

SIZE A DRAWING NAME 302112\_R6\_0

SHEET 2 OF 9 REV.DOC 6.0

302112 - COVER



TOLERANCES: UNLESS OTHERWISE SPECIFIED DIMENSIONS ARE IN U.S. INCHES.  
 X.XX = .015 X.XXXX = .001  
 X.XXX = .010 X.X° = 1°

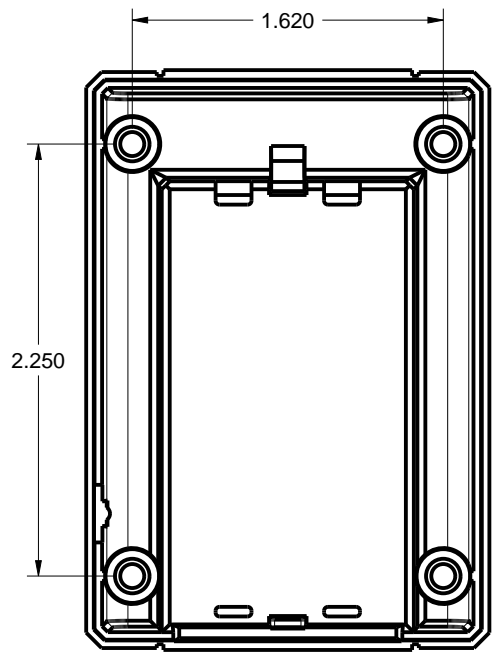
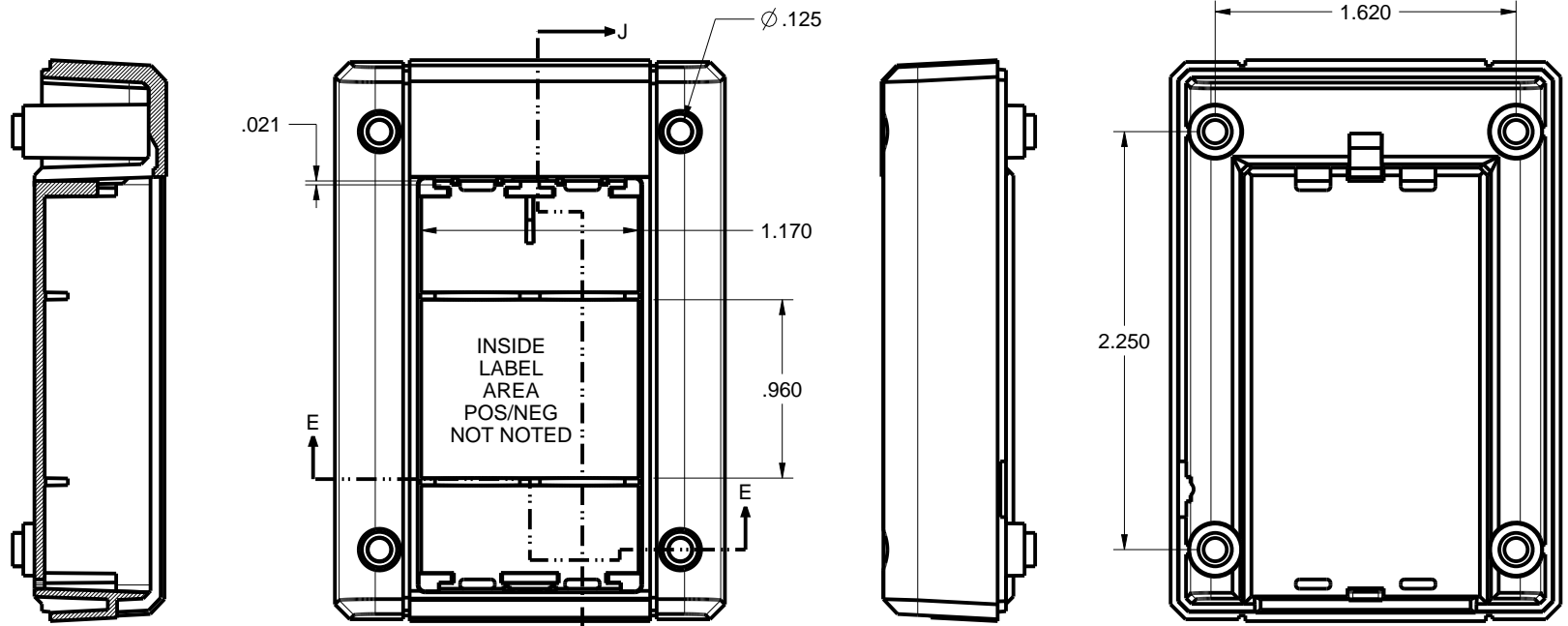
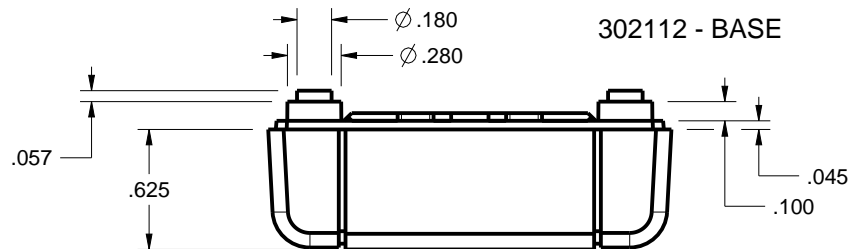
NEW AGE ENCLOSURES  
 Customer's Part No: 302112

APPROVAL	BY	DATE
CHECK		
ENG.		
SCALE	AS NOTED	
DRAWN BY	M BOYER	
	21-Nov-09	

**NEW AGE ENCLOSURES**  
 4330 Santa Fe Road San Luis Obispo, CA. 93401  
 ph. (805) 595-1310 fax (805) 595-1024  
[www.newageenclosures.com](http://www.newageenclosures.com)

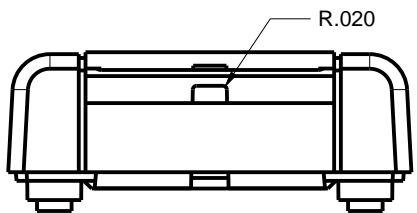
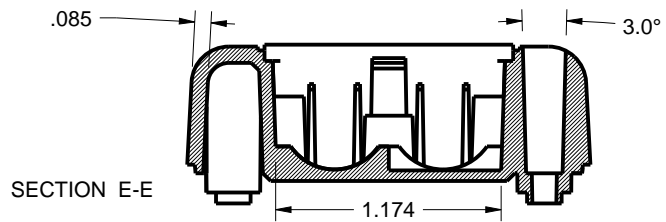
STANDARD - MINI AA  
 SXX-302112X-XXX

SIZE	DRAWING NAME	SHEET	REV.DOC
A	302112_R6_0	3 OF 9	6.0



SECTION J-J

SCALE 1.000



TOLERANCES: UNLESS OTHERWISE SPECIFIED  
DIMENSIONS ARE IN U.S. INCHES.

X.XX = .015 X.XXXX = .001  
X.XXX = .010 X.X° = 1°

NEW AGE ENCLOSURES

Customer's Part No: 302112

APPROVAL	BY	DATE
CHECK		
ENG.		
SCALE	AS NOTED	
DRAWN BY	21-Nov-09	
M BOYER		

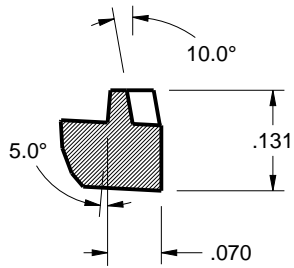
**NEW AGE ENCLOSURES**

4330 Santa Fe Road San Luis Obispo, CA. 93401  
ph. (805) 595-1310 fax (805) 595-1024  
[www.newageenclosures.com](http://www.newageenclosures.com)

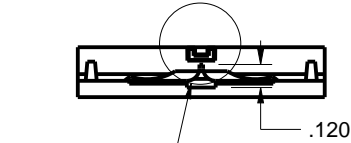
**STANDARD - MINI AA**  
**SXX-302112X-XXX**

SIZE	DRAWING NAME	SHEET	REV.DOC
A	302112_R6_0	4 OF 9	6.0

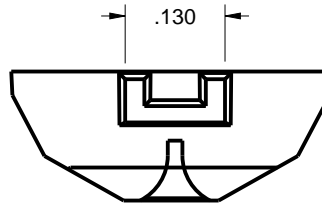
302112 - HATCH



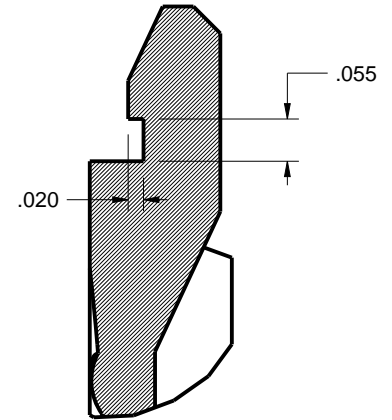
DETAIL C  
SCALE 4.000



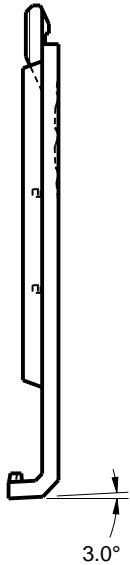
SEE DETAIL B



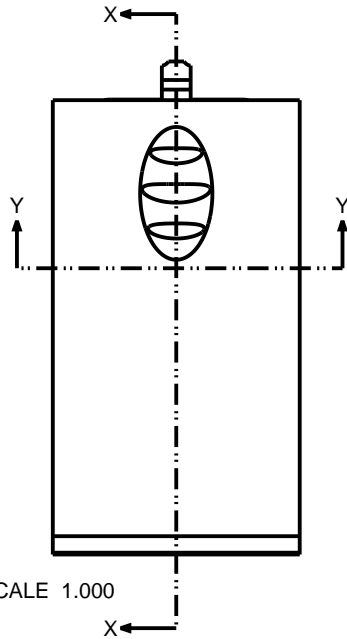
DETAIL B  
SCALE 4.000



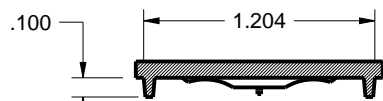
DETAIL D  
SCALE 4.000



3.0°

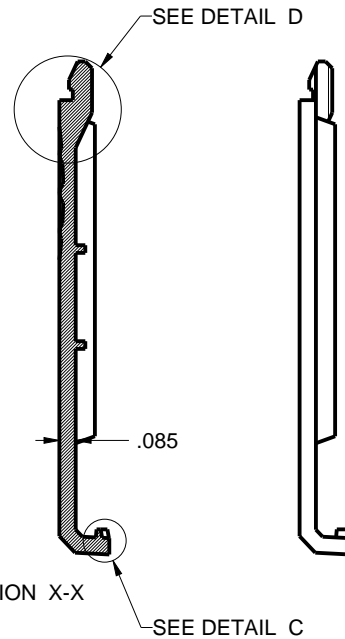


SCALE 1.000



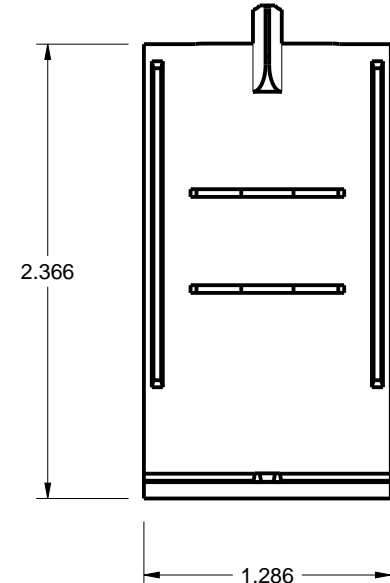
SECTION Y-Y

.040 +5° DRAFT/SIDE



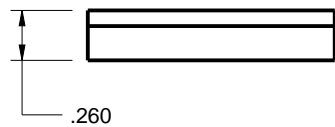
SECTION X-X

SEE DETAIL C



2.366

1.286



.260

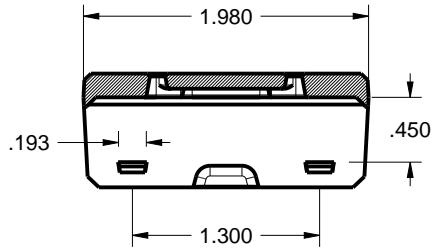
TOLERANCES: UNLESS OTHERWISE SPECIFIED DIMENSIONS ARE IN U.S. INCHES.	
X.XX = .015 X.XXXX = .001	
X.XXX = .010 X.X° = 1°	
NEW AGE ENCLOSURES	
Customer's Part No: 302112	
APPROVAL	BY DATE
CHECK	
ENG.	
SCALE	AS NOTED
DRAWN BY	SIZE
M BOYER	A
21-Nov-09	DRAWING NAME
	302112_R6_0

**NEW AGE ENCLOSURES**  
 4330 Santa Fe Road San Luis Obispo, CA. 93401  
 ph. (805) 595-1310 fax (805) 595-1024  
[www.newageenclosures.com](http://www.newageenclosures.com)

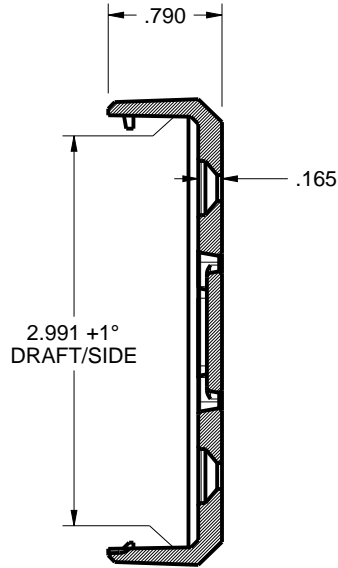
STANDARD - MINI AA  
 SXX-302112X-XXX

SHEET	REV.DOC
5 OF 9	6.0

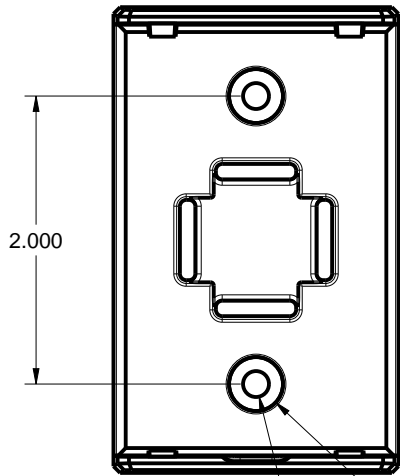
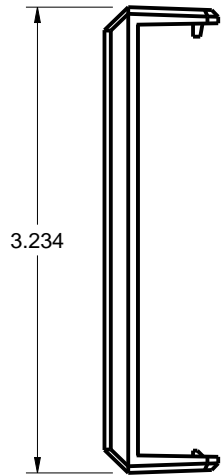
302112 - WALL CRADLE



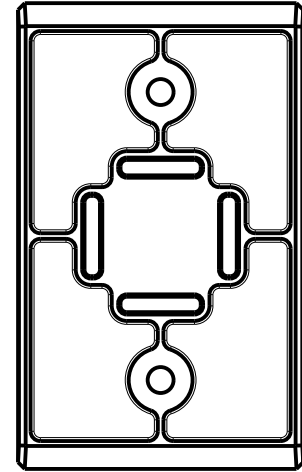
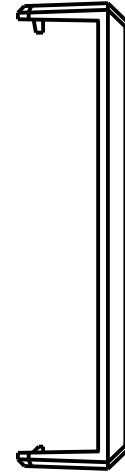
SECTION Y-Y



SECTION X-X

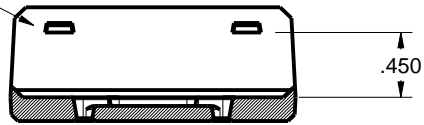


$\phi .180$   $\phi .374$

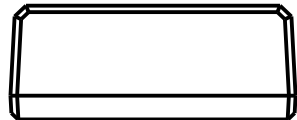


2nd OPERATION REQUIRED  
ON 302112 BASE  
TO ACCEPT CRADLE TABS

SCALE 0.750



SECTION Y-Y



TOLERANCES: UNLESS OTHERWISE SPECIFIED  
DIMENSIONS ARE IN U.S. INCHES.  
X.XX = .015 X.XXXX = .001  
X.XXX = .010 X.X° = 1°

NEW AGE ENCLOSURES  
Customer's Part No: 302112

APPROVAL	BY	DATE
CHECK		
ENG.		
SCALE	AS NOTED	

**NEW AGE ENCLOSURES**  
4330 Santa Fe Road San Luis Obispo, CA. 93401  
ph. (805) 595-1310 fax (805) 595-1024  
[www.newageenclosures.com](http://www.newageenclosures.com)

STANDARD - MINI AA  
SXX-302112X-XXX

DRAWN BY  
M BOYER 21-Nov-09

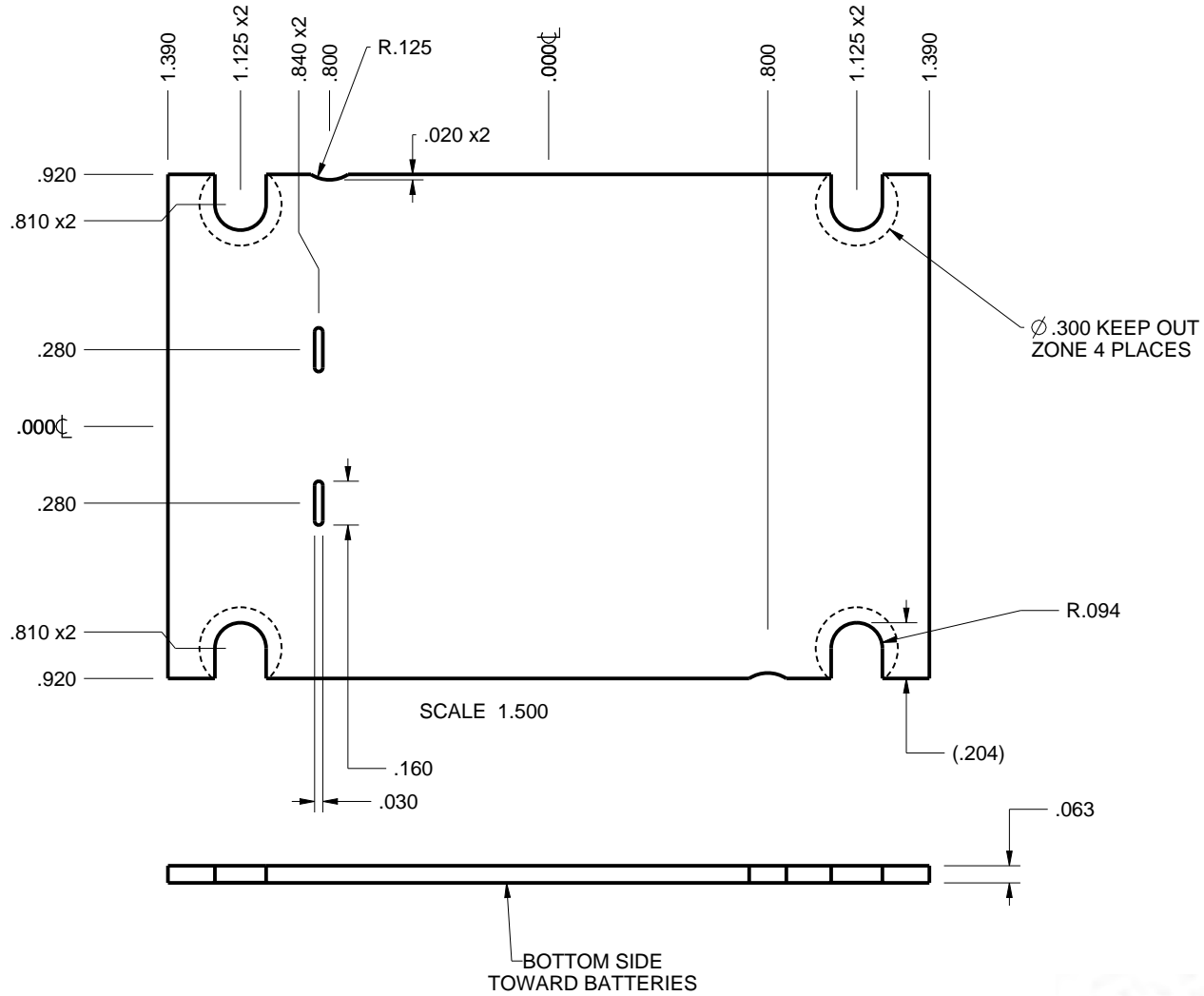
SIZE A DRAWING NAME  
302112\_R6\_0

SHEET 6 OF 9 REV.DOC 6.0



302112 - PCB

PCB SIZES ARE RECOMMENDATIONS ONLY. FINAL SIZES AND VERIFICATION OF ITS FIT ARE THE SOLE RESPONSIBILITY OF THE OEM.



TOLERANCES: UNLESS OTHERWISE SPECIFIED DIMENSIONS ARE IN U.S. INCHES.  
X.XX = .015 X.XXXX = .001  
X.XXX = .010 X.X° = 1°

NEW AGE ENCLOSURES

Customer's Part No: 302112

APPROVAL BY DATE

CHECK

ENG.

SCALE AS NOTED

DRAWN BY M BOYER 21-Nov-09

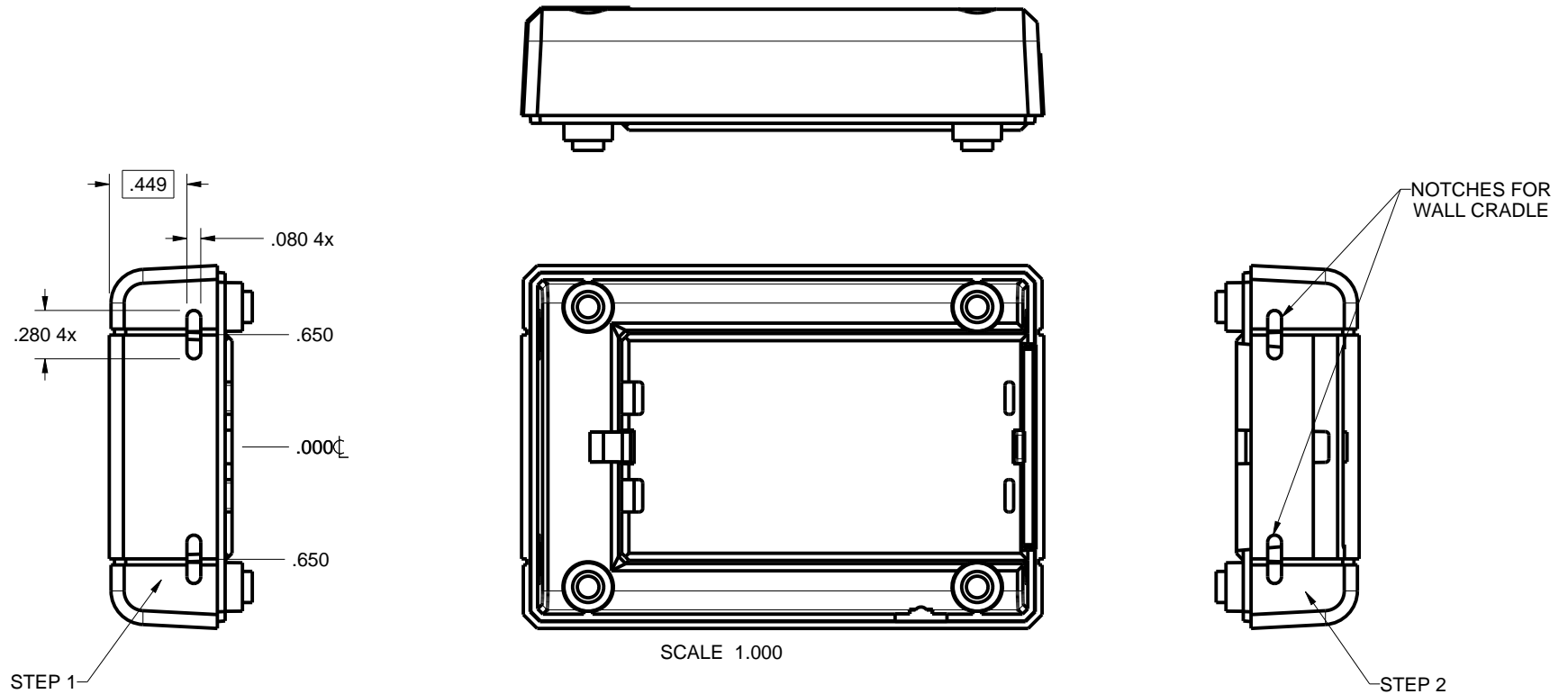
**NEW AGE ENCLOSURES**

4330 Santa Fe Road San Luis Obispo, CA. 93401  
ph. (805) 595-1310 fax (805) 595-1024  
[www.newageenclosures.com](http://www.newageenclosures.com)

STANDARD - MINI AA  
SXX-302112X-XXX

SIZE A DRAWING NAME 302112\_R6\_0 SHEET 7 OF 9 REV.DOC 6.0

**2nd OPERATION DETAILS - Page 1 of 2**  
 NEW AGE ENCLOSURES DELIVERS YOUR ENCLOSURE MARKET-READY WITH IN-HOUSE  
 CNC MACHINING, PAD PRINTING, ASSEMBLY, AND FULFILLMENT.  
 ALL SURFACES AND AREAS ARE AVAILABLE FOR CNC ALTERATION BY NEW AGE ENCLOSURES  
 CALL (805) 595-1310 FOR PRICING AND SCHEDULE.  
 THE INSIDE RADIUS OF ANY MACHINED FEATURES SHOULD BE NO SMALLER THAN .031"



TOLERANCES: UNLESS OTHERWISE SPECIFIED  
 DIMENSIONS ARE IN U.S. INCHES.  
 X.XX = .015 X.XXXX = .001  
 X.XXX = .010 X.X° = 1°

**NEW AGE ENCLOSURES**  
 4330 Santa Fe Road San Luis Obispo, CA. 93401  
 ph. (805) 595-1310 fax (805) 595-1024

Customer's Part No: 302112

[www.newageenclosures.com](http://www.newageenclosures.com)

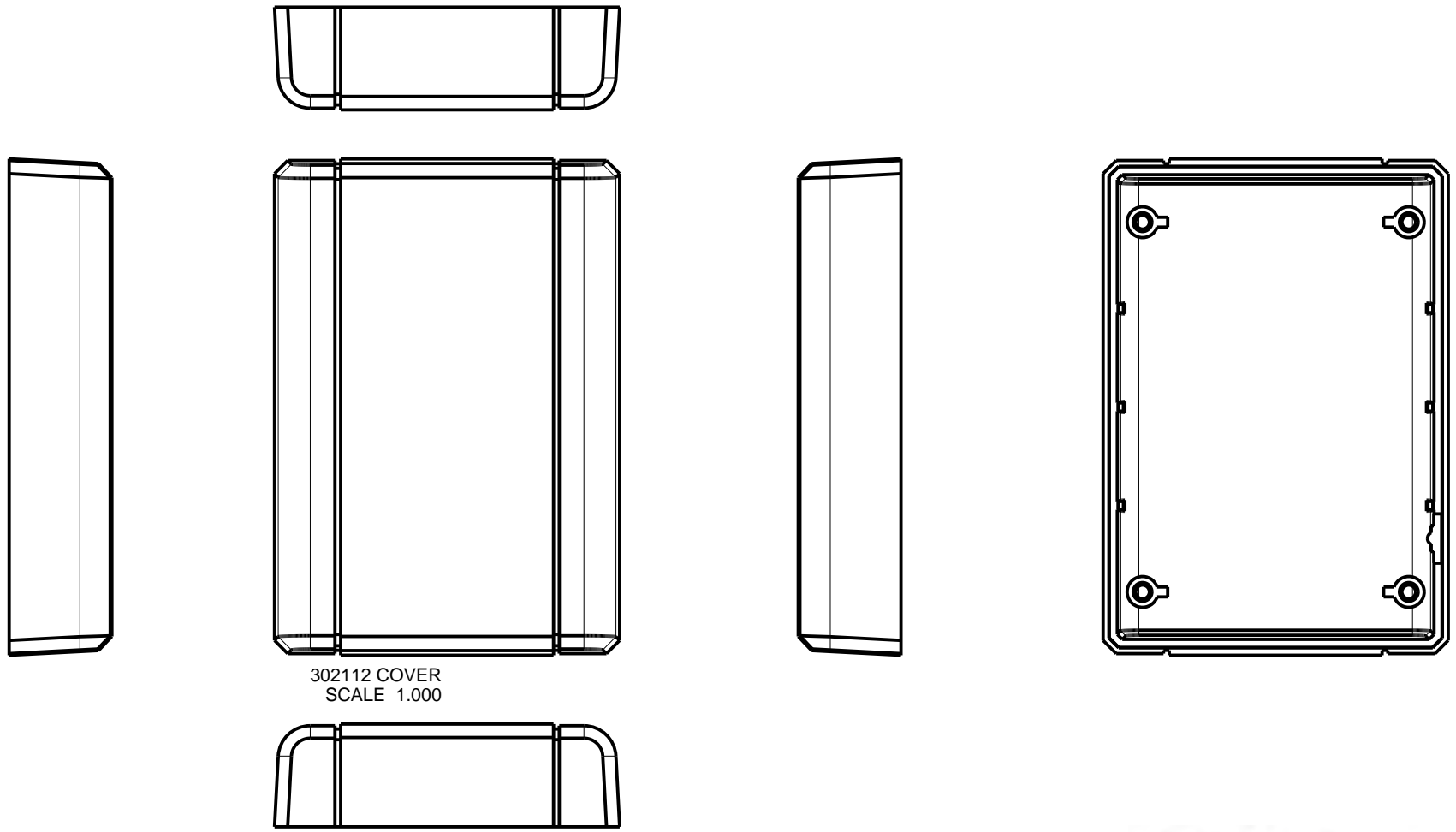
**STANDARD - MINI AA**  
**SXX-302112X-XXX**

SXX-302112X-XXX BASE - ABS, BLACK					
STEP NO	DESCRIPTION	CUTTER	FIXTURE	ORIENTATION	PROGRAM
1-C-C1	CRADLE NOTCHES	T2 = .062" EM	193	SINGLE	-
2-C-C2	CRADLE NOTCHES	T2 = .062" EM	193	SINGLE	-

APPROVAL	BY	DATE
CHECK		
ENG.		
SCALE	AS NOTED	
DRAWN BY	21-Nov-09	
M BOYER		

SIZE	DRAWING NAME	SHEET	REV.DOC
A	302112_R6_0	8 OF 9	6.0

**2nd OPERATION DETAILS - Page 2 of 2**  
 NEW AGE ENCLOSURES DELIVERS YOUR ENCLOSURE MARKET-READY WITH IN-HOUSE  
 CNC MACHINING, PAD PRINTING, ASSEMBLY, AND FULFILLEMENT.  
 ALL SURFACES AND AREAS ARE AVAILABLE FOR CNC ALTERATION BY NEW AGE ENCLOSURES  
 CALL (805) 595-1310 FOR PRICING AND SCHEDULE.  
 THE INSIDE RADIUS OF ANY MACHINED FEATURES SHOULD BE NO SMALLER THAN .031"



302112 COVER  
 SCALE 1.000

SXX-302112X-XXX COVER - ABS, BLACK					
STEP NO	DESCRIPTION	CUTTER	FIXTURE	ORIENTATION	PROGRAM
1-C-C1	-	T2 = .062" EM	193	SINGLE	
2-C-C2	-	T2 = .062" EM	193	-	
3-C-C3	-	T2 = .062" EM	193	-	

TOLERANCES: UNLESS OTHERWISE SPECIFIED DIMENSIONS ARE IN U.S. INCHES. X.XX = .015 X.XXXX = .001 X.XXX = .010 X.X° = 1°		<b>NEW AGE ENCLOSURES</b> 4330 Santa Fe Road San Luis Obispo, CA. 93401 ph. (805) 595-1310 fax (805) 595-1024 <a href="http://www.newageenclosures.com">www.newageenclosures.com</a>	
APPROVAL BY DATE CHECK _____ ENG. _____ SCALE AS NOTED		Customer's Part No: 302112 <b>STANDARD - MINI AA</b> <b>SXX-302112X-XXX</b>	
DRAWN BY M BOYER	21-Nov-09	SIZE A	DRAWING NAME 302112_R6_0
		SHEET 9 OF 9	REV.DOC 6.0

# Mouser Electronics

Authorized Distributor

Click to View Pricing, Inventory, Delivery & Lifecycle Information:

[New Age Enclosures:](#)

[S1A-302112](#) [S3A-302112](#) [S1A-302112-K](#) [S3A-302112-K](#)

## Данный компонент на территории Российской Федерации

### Вы можете приобрести в компании MosChip.

Для оперативного оформления запроса Вам необходимо перейти по данной ссылке:

<http://moschip.ru/get-element>

Вы можете разместить у нас заказ для любого Вашего проекта, будь то серийное производство или разработка единичного прибора.

В нашем ассортименте представлены ведущие мировые производители активных и пассивных электронных компонентов.

Нашей специализацией является поставка электронной компонентной базы двойного назначения, продукции таких производителей как XILINX, Intel (ex.ALTERA), Vicor, Microchip, Texas Instruments, Analog Devices, Mini-Circuits, Amphenol, Glenair.

Сотрудничество с глобальными дистрибьюторами электронных компонентов, предоставляет возможность заказывать и получать с международных складов практически любой перечень компонентов в оптимальные для Вас сроки.

На всех этапах разработки и производства наши партнеры могут получить квалифицированную поддержку опытных инженеров.

Система менеджмента качества компании отвечает требованиям в соответствии с ГОСТ Р ИСО 9001, ГОСТ РВ 0015-002 и ЭС РД 009

### Офис по работе с юридическими лицами:

105318, г.Москва, ул.Щербаковская д.3, офис 1107, 1118, ДЦ «Щербаковский»

Телефон: +7 495 668-12-70 (многоканальный)

Факс: +7 495 668-12-70 (доб.304)

E-mail: [info@moschip.ru](mailto:info@moschip.ru)

Skype отдела продаж:

moschip.ru

moschip.ru\_4

moschip.ru\_6

moschip.ru\_9