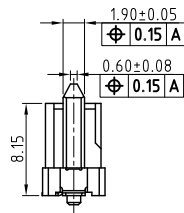
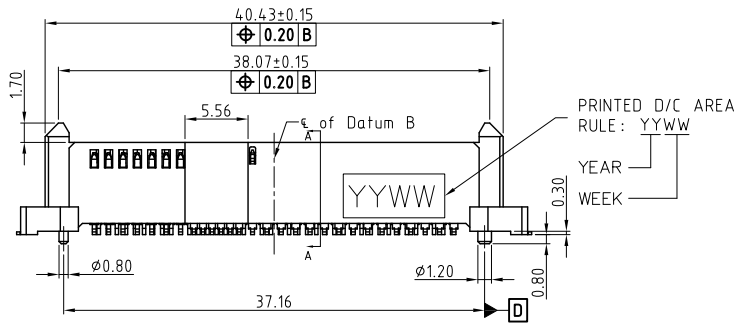
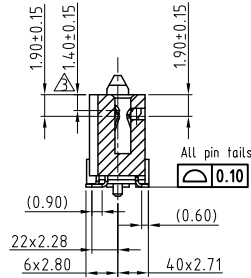
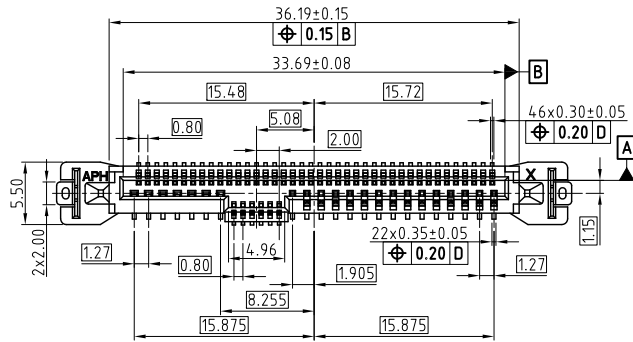
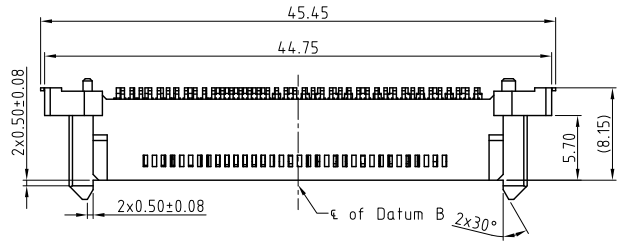


This document is the property of Amphenol Corporation and is delivered on the express condition that it is not to be disclosed, reproduced or used, in whole or in part, for manufacture or sale by anyone other than Amphenol Corporation without its prior consent, & that no right is granted to disclose or to use any information in this document.

CUSTOMER DRAWING

REVISIONS

SYM	ECN	DESCRIPTION	DATE	APPROVED
1	N/A	FIRST RELEASE	08/10/18	IP
2	N/A	MODIFY PCB FOOTPRINT LENGTH	09/03/18	IP
3	N/A	UPDATE DESIGN	10/12/18	IP
4	N/A	ADDED PACKING SPEC; MODIFIED CONTACTS LEG LENGTH	12/18/18	IP
5	N/A	ADDED PACKING STYLE BY CUSTOMER'S REQUEST	01/25/19	IP
6	N/A	MODIFY PCB DIMENSIONING BY CUSTOMER'S REQUEST	02/18/19	IP
7	N/A	MODIFY PCB DIMENSIONING BY CUSTOMER'S REQUEST	02/27/19	IP



NOTES

- MATERIAL
 - HOUSING: HIGH TEMPERATURE THERMOPLASTIC, UL94V-0, COLOR:BLACK.
 - CONTACTS : PHOSPHOR BRONZE
PLATING: REFER TO P/N SYSTEM ON MATING AREA.
1.27um MIN NICKEL UNDER PLATED OVERALL.
2.54um MIN PURE MATTE TIN ON SOLDER TAILS.
 - SOLDER CLIPS: COPPER ALLOY
2.54um MIN PURE MATTE TIN OVER 1.27um MIN NICKEL.
 - GENERAL SPECIFICATION
 - CURRENT RATING: 1.5A/PER PIN (POWER SECTION).
 - CONTACT RESISTANCE: 30mΩ MAX (INITIAL).
 - INSULATOR RESISTANCE: 1000MΩ MIN.
 - DIELECTRIC WITHSTANDING VOLTAGE: 500 VAC
 - OPERATION TEMPERATURE: -40°C~+85°C
- ▲ PREMATING AT P4 & P12
- Support PCIe Gen4 and SAS4.0
 - DIMENSIONING SHALL BE INTERPRETED PER ASME Y14.5M 1994.
 - MATERIAL SHOULD BE FULFILLED AMPHENOL SPEC.# S-SN-002, FOR HALOGEN FREE PRODUCTS, ALSO NEED TO MEET S-SN-004.
 - ORDER P/N SYSTEM: PSAS4F313007XXX

MATING AREA PLATING	PACKING STYLE
1- 0.76um MIN Au.	NIL- TRAY WITHOUT PICK-UP CAP
2- 0.38um MIN Au.	C- TRAY WITH PICK-UP CAP
3- Gold FLASH	TR- TAPE AND REEL WITH PICK-UP CAP
	NT- TAPE AND REEL WITHOUT PICK-UP CAP



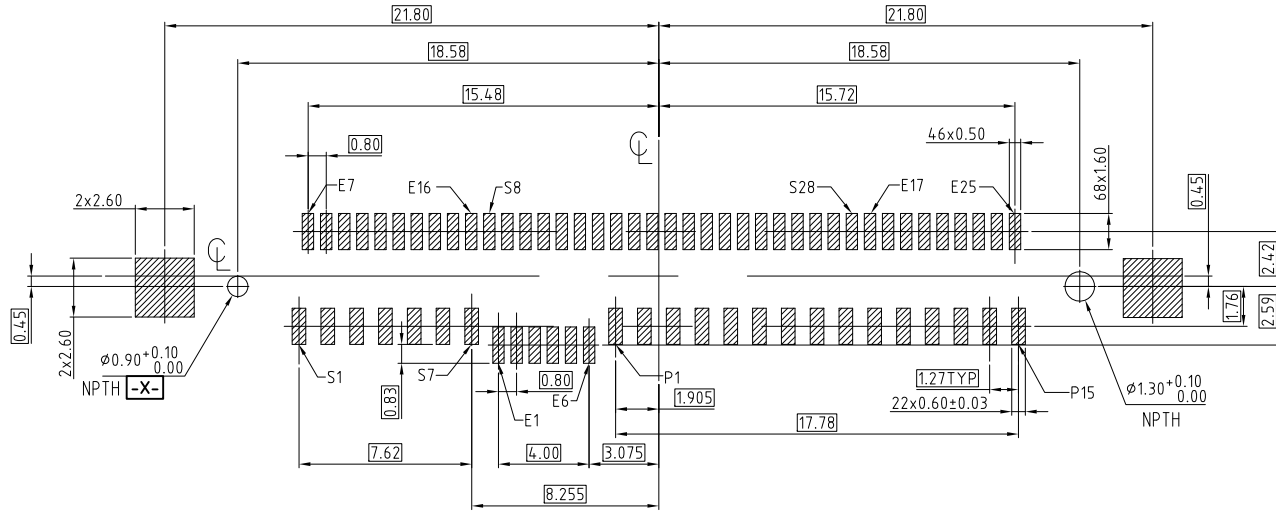
UNLESS OTHERWISE SPECIFIED TOLERANCES		APPROVAL	DATE
.X	+/- 0.50	DRAWN	Jackie.Tan 02/27/19
.XX	+/- 0.25	CHECKED	Xiang.Wang 02/27/19
.XXX	+/- 0.15	CHECKED	
FRACTIONS	+/- 3°	DRAWING FILE : DRAWING\PSAS\PSAS\PSAS\PSAS4F313007XXX-7	
ANGLES	+/-	ANGLE OF PROJECTION	
FOR MATERIALS AND FINISHES SEE NOTES		REMOVE SHARP EDGES	
DIMENSIONS		U.S. INCHES	
(METRIC) (MM)			
		TITLE PCIe/SAS VERTICAL SMT 68PIN SOCKET	
SIZE DRAWING NO.		REV.	
A3 PSAS4F313007XXX		7	
SCALE	NONE	SHEET 1 OF 3	

This document is the property of Amphenol Corporation and is delivered on the express condition that it is not to be disclosed, reproduced or used, in whole or in part, for manufacture or sale by anyone other than Amphenol Corporation without its prior consent, & that no right is granted to disclose or to use any information in this document.

CUSTOMER DRAWING

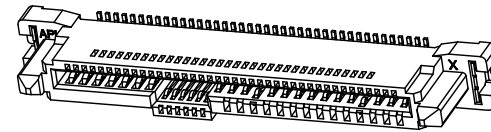
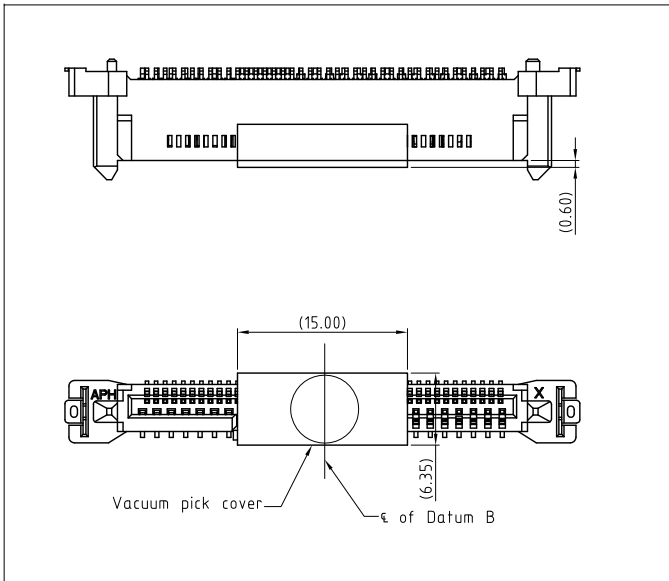
REVISIONS

SYM	ECN	DESCRIPTION	DATE	APPROVED
		REFER TO SHEET 1		



With Pick-up Cover

RECOMMENDED PCB LAYOUT
GENERAL TOLERANCE ±0.05



UNLESS OTHERWISE SPECIFIED TOLERANCES		APPROVAL	DATE	Amphenol	
.X	+/-	DRAWN	Jackie.Tan	02/27/19	Amphenol East Asia Limited
.XX	+/-	CHECKED	Xiang.Wang	02/27/19	
.XXX	+/-	CHECKED			
FRACTIONS	+/-	DRAWING FILE :		TITLE	
ANGLES	+/-	DRAWING\PSAS\PSAS\PSAS\F313007XXX-7		PCIe/SAS VERTICAL SMT 68PIN SOCKET	
FOR MATERIALS AND FINISHES SEE NOTES		REMOVE SHARP EDGES		SIZE DRAWING NO.	
DIMENSIONS		ANGLE OF PROJECTION		A3 PSAS4F313007XXX	
U.S. (METRIC)	INCHES (MM)			REV. 7	
SCALE NONE				SHEET 2 OF 3	

This document is the property of Amphenol Corporation and is delivered on the express condition that it is not to be disclosed, reproduced or used, in whole or in part, for manufacture or sale by anyone other than Amphenol Corporation without its prior consent, & that no right is granted to disclose or to use any information in this document.

CUSTOMER DRAWING

REVISIONS				
SYM	ECN	DESCRIPTION	DATE	APPROVED
REFER TO SHEET 1				

D

D



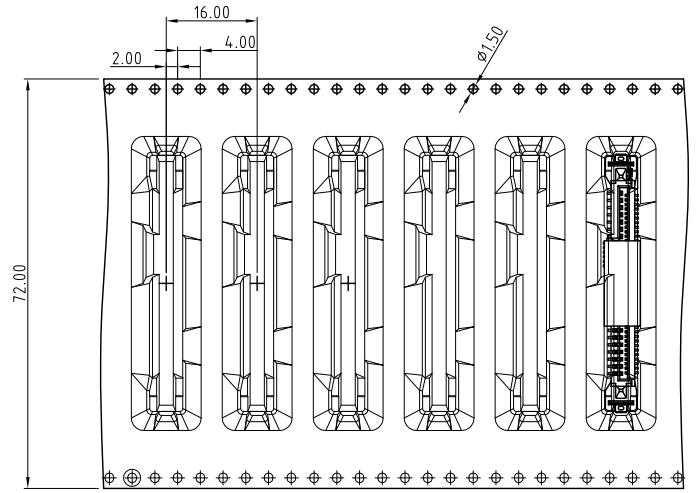
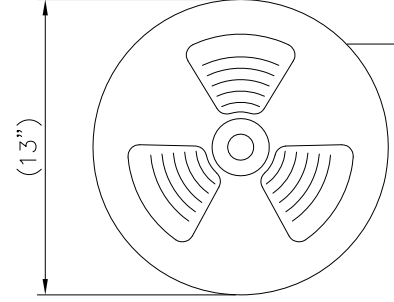
USER'S FEEDING DIRECTION

PACKING DIRECTION

CUSTOMER'S FEEDING DIRECTION

C

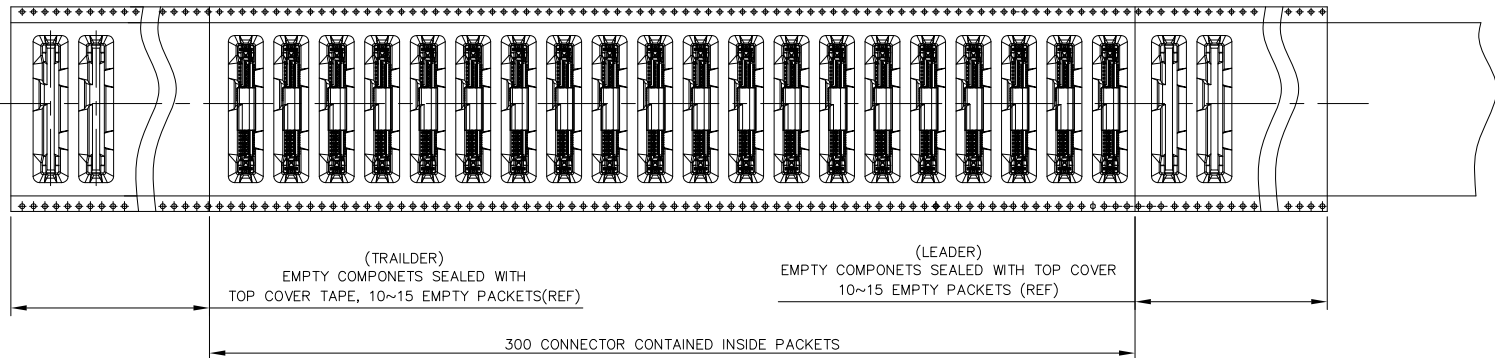
C



DETAIL A
SCALE 2:1

B

B



A

A



UNLESS OTHERWISE SPECIFIED TOLERANCES U.S. METRIC .X +/- 0.50 .XX +/- 0.25 .XXX +/- 0.20 FRACTIONS +/- 3" ANGLES +/- FOR MATERIALS AND FINISHES REMOVE SHARP EDGES DIMENSIONS U.S. INCHES (METRIC) (MM)	APPROVAL DRAWN Jackie Tan 02/27/19 CHECKED Kiang Wang 02/27/19 CHECKED	DATE 02/27/19 02/27/19	Amphenol Amphenol East Asia Limited TITLE PCIe/SAS VERTICAL SMT 68PIN SOCKET
	DRAWING FILE : DRAWING\PSAS\PSAS\PSAS4F313007XXX-7		
	ANGLE OF PROJECTION 		
	SIZE A3	DRAWING NO. PSAS4F313007XXX	
SCALE NONE		SHEET 3 OF 3	

4

3

2

1

Данный компонент на территории Российской Федерации

Вы можете приобрести в компании MosChip.

Для оперативного оформления запроса Вам необходимо перейти по данной ссылке:

<http://moschip.ru/get-element>

Вы можете разместить у нас заказ для любого Вашего проекта, будь то серийное производство или разработка единичного прибора.

В нашем ассортименте представлены ведущие мировые производители активных и пассивных электронных компонентов.

Нашей специализацией является поставка электронной компонентной базы двойного назначения, продукции таких производителей как XILINX, Intel (ex.ALTERA), Vicor, Microchip, Texas Instruments, Analog Devices, Mini-Circuits, Amphenol, Glenair.

Сотрудничество с глобальными дистрибьюторами электронных компонентов, предоставляет возможность заказывать и получать с международных складов практически любой перечень компонентов в оптимальные для Вас сроки.

На всех этапах разработки и производства наши партнеры могут получить квалифицированную поддержку опытных инженеров.

Система менеджмента качества компании отвечает требованиям в соответствии с ГОСТ Р ИСО 9001, ГОСТ РВ 0015-002 и ЭС РД 009

Офис по работе с юридическими лицами:

105318, г.Москва, ул.Щербаковская д.3, офис 1107, 1118, ДЦ «Щербаковский»

Телефон: +7 495 668-12-70 (многоканальный)

Факс: +7 495 668-12-70 (доб.304)

E-mail: info@moschip.ru

Skype отдела продаж:

moschip.ru

moschip.ru_4

moschip.ru_6

moschip.ru_9