

# Open Ended Card Edge: BTB

00-9159



AVX was challenged with increasing the pin count density as well as minimizing the size of the existing coplanar BTB card edge connector for linear strip lighting. The current product is a 2.0mm with single contacts that straddle the PCB to make electrical connection on both the top and bottom side of the board. By simply changing the contacts to a double sided configuration (separate contacts for both the top and bottom of the PCB), AVX was able to double the pin count in the same 2.0mm pitch with minimal to no impact on the electrical performance of the connector. Reducing the size of the connector required a complete new design as the target was a 4p connector with a total length of 4.0mm. To achieve this, AVX removed the end walls and then added a center support/keying rib to pre-align the PCB during mating. This rib then holds the PCB in the proper functional location.

The new family of connectors is available with contact sizes of 4, 6, 8 and 10 positions, doubling the current products range. The current rating will be 3A for the 4p and 6p, and then drop to 2.5A for the 8p and 10p connector. The connector supports the standard 1.6mm PCB thickness.

This new connector provides the highest density to reliably connect two in-line PCB's together in the most cost effective assembled solution. More importantly, the increased pin count allows for more flexibility in mixing and matching power and signal lines.

## APPLICATIONS

- Linear LED strip lighting
- Commercial/Industrial co-planar or extended card applications
- Reference Product Specification 201-01-144

## FEATURES AND BENEFITS

- Miniaturized size, achieves 1.0mm in length for each number of contacts (4p = 4.0mm)
- Double Ended/Double Sided contacts for increased pin count density on standard 1.6mm thick PCB's
- Central polarizing/location rib assures proper mating and PCB location
- High current capabilities: 3A; 4p/6p and 2.5A; 8p/10p
- Economical high force Tin-to-Tin contact interface

## ELECTRICAL

- Current Rating: 3.0 amps 4p/6p and 2.5 amps 8p/10p
- Voltage Rating: 300 VAC

## ENVIRONMENTAL

- Operating Temperature: -40°C to +125°C

## MECHANICAL

- Insulator Material: Nylon 46: UL94VO
- Contact Material: Phosphor Bronze
- Plating: Tin over Nickel
- Durability: 5 Cycles

## HOW TO ORDER

<b>00</b>	<b>9159</b>	<b>00X</b>	<b>0</b>	<b>61</b>	<b>X</b>	<b>1</b>	<b>X</b>																								
Prefix	Series	Number of Ways	Single Part PCB Strip Connector	PCB Thickness 61 = Open Ended PCB Thickness 1.6-±0.10	Insulator Color	Packaging Options 1 = Bag	Plating Option 6 = Pure Tin all over 1 = Gold Flash																								
		<table border="1"> <thead> <tr> <th>Code</th> <th>No of Ways</th> <th>Details</th> </tr> </thead> <tbody> <tr> <td>004</td> <td>4</td> <td>Page 2</td> </tr> <tr> <td>006</td> <td>6</td> <td>Page 3</td> </tr> <tr> <td>008</td> <td>8</td> <td>Page 4</td> </tr> <tr> <td>010</td> <td>10</td> <td>Page 5</td> </tr> </tbody> </table>	Code	No of Ways	Details	004	4	Page 2	006	6	Page 3	008	8	Page 4	010	10	Page 5			<table border="1"> <thead> <tr> <th>Code</th> <th>Color</th> <th>Application</th> </tr> </thead> <tbody> <tr> <td>8</td> <td>Black</td> <td>Special Order</td> </tr> <tr> <td>9</td> <td>White</td> <td>Standard</td> </tr> </tbody> </table>	Code	Color	Application	8	Black	Special Order	9	White	Standard		
Code	No of Ways	Details																													
004	4	Page 2																													
006	6	Page 3																													
008	8	Page 4																													
010	10	Page 5																													
Code	Color	Application																													
8	Black	Special Order																													
9	White	Standard																													

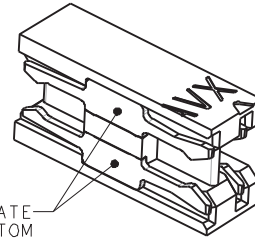
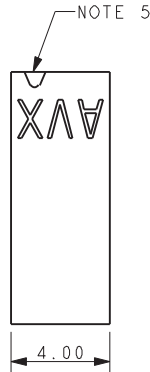
Certification: UL File #E90723



# Open Ended Card Edge: BTB

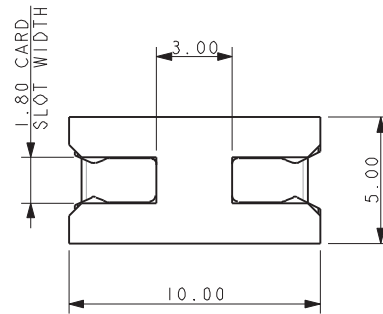
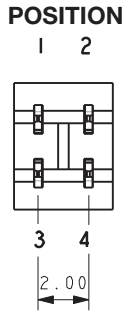
00-9159

## 4 WAY SINGLE PART PCB STRIP CONNECTOR – OPEN ENDED



CONTACTS SEPERATE  
TOP AND BOTTOM

### SECTION VIEW THROUGH CONTACT

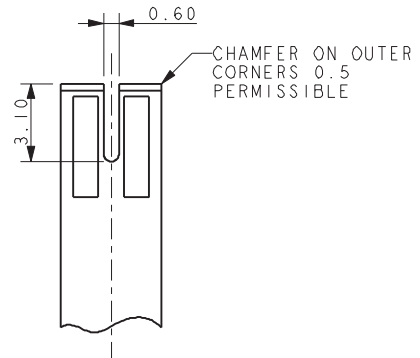
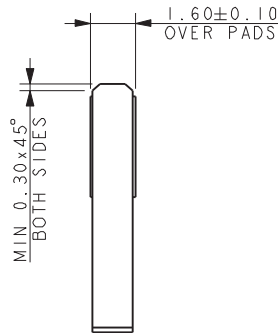
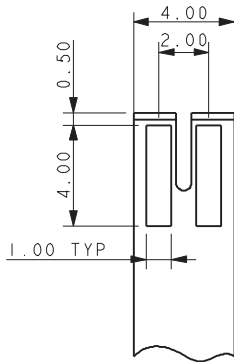


NOTES:

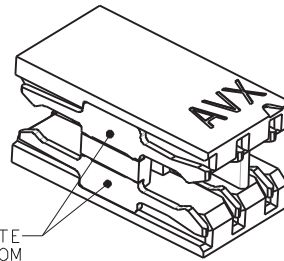
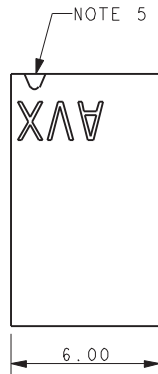
1. INSULATOR MATERIAL NYLON 46, UL94 V-0.  
COLOR REFER TO PAGE 1.
2. CONTACT MATERIAL COPPER ALLOY, TIN PLATED
3. PARTS TO BE SUPPLIED IN BAGS, 1000 PIECES PER BAG.
4. GENERAL TOLERANCE  $\pm 0.20\text{MM}$  UNLESS STATED.
5. ARROW ADJACENT TO CONTACT POSITION 1.
6. PCB PAD, TIN PLATED OR TIN PLATED WITH GOLD FLASH.
7. FURTHER DETAILS REFER TO ELCO SPECIFICATION 201-01-144.

### SUGGESTED PCB LAYOUT

PADS THE SAME UPPER AND LOWER FACES  
PCB THICKNESS  $1.60 \pm 0.10\text{MM}$  (OVER PADS)

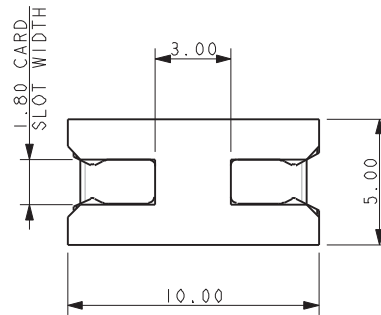
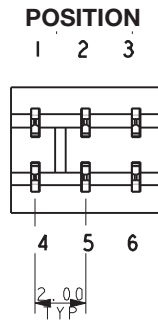


## 6 WAY SINGLE PART PCB STRIP CONNECTOR – OPEN ENDED



CONTACTS SEPERATE  
TOP AND BOTTOM

### SECTION VIEW THROUGH CONTACT

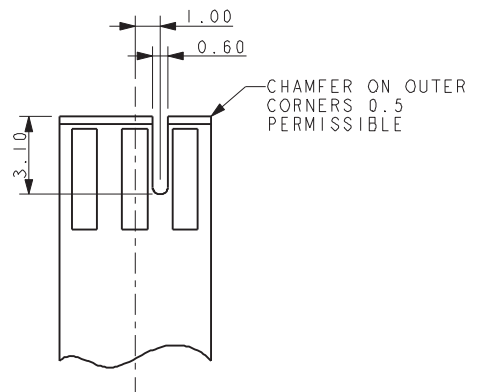
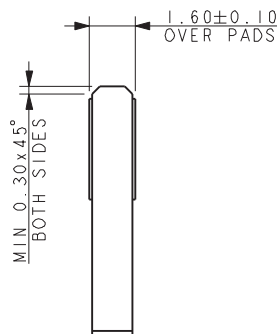
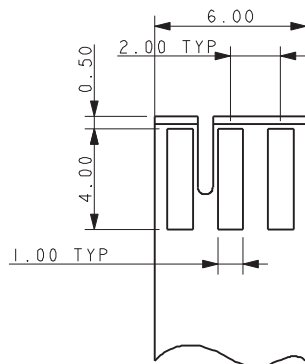


NOTES:

1. INSULATOR MATERIAL NYLON 46, UL94 V-0.  
COLOR REFER TO PAGE 1.
2. CONTACT MATERIAL COPPER ALLOY, TIN PLATED
3. PARTS TO BE SUPPLIED IN BAGS, 1000 PIECES PER BAG.
4. GENERAL TOLERANCE  $\pm 0.20\text{MM}$  UNLESS STATED.
5. ARROW ADJACENT TO CONTACT POSITION 1.
6. PCB PAD, TIN PLATED OR TIN PLATED WITH GOLD FLASH.
7. FURTHER DETAILS REFER TO ELCO SPECIFICATION 201-01-144.

### SUGGESTED PCB LAYOUT

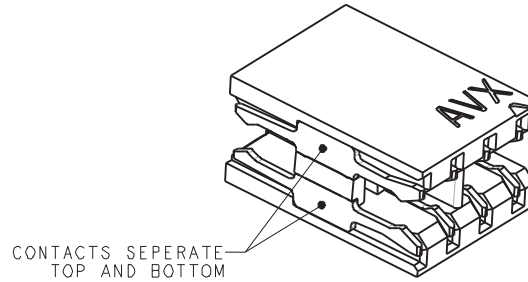
PADS THE SAME UPPER AND LOWER FACES  
PCB THICKNESS  $1.60 \pm 0.10\text{MM}$  (OVER PADS)



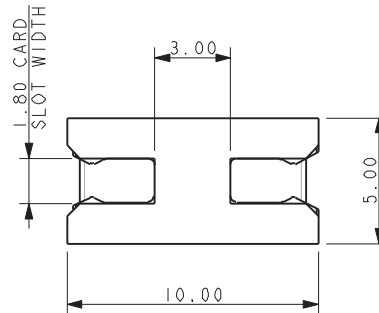
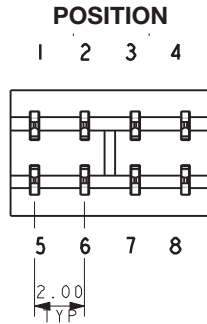
# Open Ended Card Edge: BTB

00-9159

## 8 WAY SINGLE PART PCB STRIP CONNECTOR – OPEN ENDED



### SECTION VIEW THROUGH CONTACT



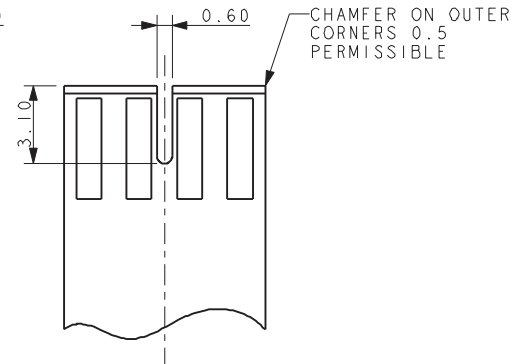
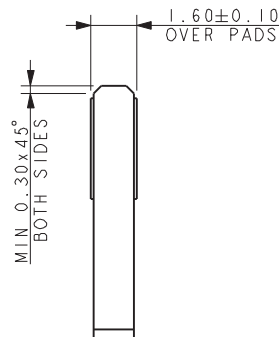
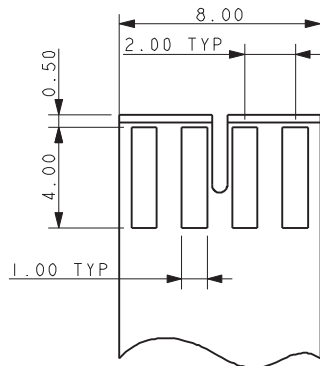
NOTES:

1. INSULATOR MATERIAL NYLON 46, UL94 V-0. COLOR REFER TO PAGE 1.
2. CONTACT MATERIAL COPPER ALLOY, TIN PLATED
3. PARTS TO BE SUPPLIED IN BAGS, 1000 PIECES PER BAG.
4. GENERAL TOLERANCE  $\pm 0.20$ MM UNLESS STATED.
5. ARROW ADJACENT TO CONTACT POSITION 1.
6. PCB PAD, TIN PLATED OR TIN PLATED WITH GOLD FLASH.
7. FURTHER DETAILS REFER TO ELCO SPECIFICATION 201-01-144.

### SUGGESTED PCB LAYOUT

PADS THE SAME UPPER AND LOWER FACES

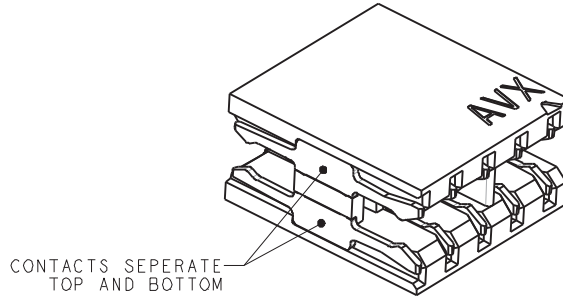
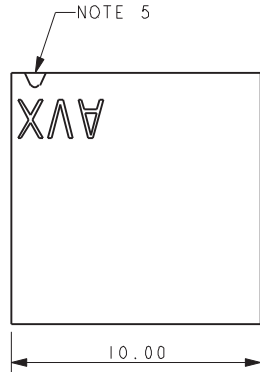
PCB THICKNESS  $1.60 \pm 0.10$ MM (OVER PADS)



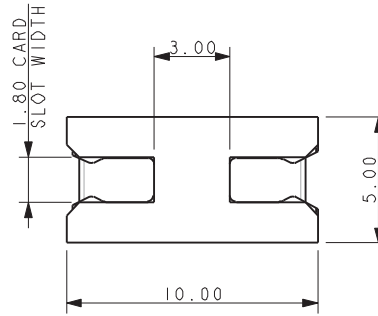
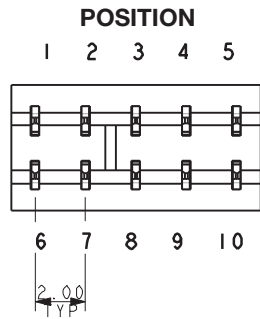
# Open Ended Card Edge: BTB

00-9159

## 10 WAY SINGLE PART PCB STRIP CONNECTOR – OPEN ENDED



### SECTION VIEW THROUGH CONTACT

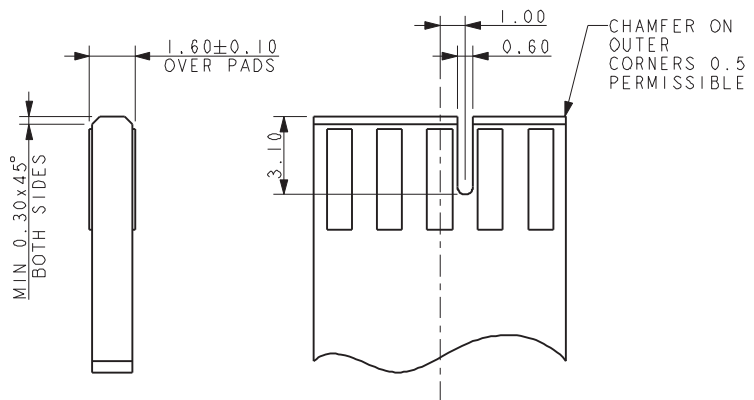
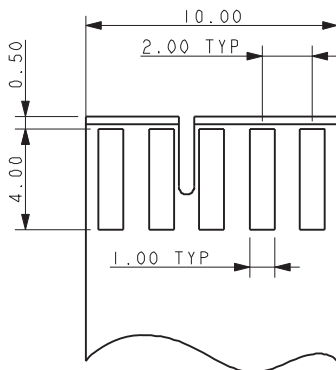


NOTES:

1. INSULATOR MATERIAL NYLON 46, UL94 V-0. COLOR REFER TO PAGE 1.
2. CONTACT MATERIAL COPPER ALLOY, TIN PLATED
3. PARTS TO BE SUPPLIED IN BAGS, 1000 PIECES PER BAG.
4. GENERAL TOLERANCE  $\pm 0.20\text{MM}$  UNLESS STATED.
5. ARROW ADJACENT TO CONTACT POSITION 1.
6. PCB PAD, TIN PLATED OR TIN PLATED WITH GOLD FLASH.
7. FURTHER DETAILS REFER TO ELCO SPECIFICATION 201-01-144.

### SUGGESTED PCB LAYOUT

PADS THE SAME UPPER AND LOWER FACES  
PCB THICKNESS  $1.60 \pm 0.10\text{MM}$  (OVER PADS)



## Данный компонент на территории Российской Федерации

### Вы можете приобрести в компании MosChip.

Для оперативного оформления запроса Вам необходимо перейти по данной ссылке:

<http://moschip.ru/get-element>

Вы можете разместить у нас заказ для любого Вашего проекта, будь то серийное производство или разработка единичного прибора.

В нашем ассортименте представлены ведущие мировые производители активных и пассивных электронных компонентов.

Нашей специализацией является поставка электронной компонентной базы двойного назначения, продукции таких производителей как XILINX, Intel (ex.ALTERA), Vicor, Microchip, Texas Instruments, Analog Devices, Mini-Circuits, Amphenol, Glenair.

Сотрудничество с глобальными дистрибьюторами электронных компонентов, предоставляет возможность заказывать и получать с международных складов практически любой перечень компонентов в оптимальные для Вас сроки.

На всех этапах разработки и производства наши партнеры могут получить квалифицированную поддержку опытных инженеров.

Система менеджмента качества компании отвечает требованиям в соответствии с ГОСТ Р ИСО 9001, ГОСТ РВ 0015-002 и ЭС РД 009

### Офис по работе с юридическими лицами:

105318, г.Москва, ул.Щербаковская д.3, офис 1107, 1118, ДЦ «Щербаковский»

Телефон: +7 495 668-12-70 (многоканальный)

Факс: +7 495 668-12-70 (доб.304)

E-mail: [info@moschip.ru](mailto:info@moschip.ru)

Skype отдела продаж:

moschip.ru

moschip.ru\_4

moschip.ru\_6

moschip.ru\_9