



## Main

Range of product	OsiSense XU
Series name	Application packaging
Electronic sensor type	Photo-electric sensor
Product specific application	Luminescence
Sensor name	XU5
Sensor design	M18
Detection system	Diffuse
[Sn] nominal sensing distance	0.79 in (20 mm) spot Ø 3 x 1 mm for colour mark reading 0...3.15 in (0...80 mm) in diffuse mode
Material	Metal
Type of output signal	Discrete
Supply circuit type	DC
Wiring technique	3-wire
Discrete output type	PNP
Discrete output function	1 NO
Electrical connection	1 male connector M12, 4 pins
Emission	Ultra-violet (transmission frequency = 370 nm)

## Complementary

Enclosure material	Nickel plated brass
Lens material	PMMA
Output type	Solid state
Output function governance	Light
Add on output	Without
Status LED	1 LED (green) output state
[Us] rated supply voltage	12...24 V DC with reverse polarity protection
Supply voltage limits	10...30 V DC
Switching capacity in mA	<= 100 mA (reverse polarity, overload and short-circuit protection)
Switching frequency	<= 1000 Hz
Voltage drop	<= 1.5 V (closed state), PNP
Current consumption	<= 20 mA (no-load)
Time delay range	20 ms off-delay activation/deactivation by cabling method delay
Delay first up	<= 100 ms
Delay response	<= 0.5 ms
Delay recovery	<= 0.5 ms
Setting-up	Sensitivity adjustment with potentiometer
Diameter	0.71 in (18 mm)
Length	3.74 in (95 mm)
Product weight	0.17 lb(US) (0.075 kg)

## Environment

product certifications	CE CSA UL
ambient air temperature for operation	-13...131 °F (-25...55 °C)
ambient air temperature for storage	-40...158 °F (-40...70 °C)
vibration resistance	7 gn, amplitude = +/- 0.6 mm (f = 10...55 Hz) conforming to IEC 60068-2-6
shock resistance	30 gn (duration = 11 ms) conforming to IEC 60068-2-27

The information provided in this documentation contains general descriptions and/or technical characteristics of the performance of the products contained herein. This documentation is not intended as a substitute for and is not to be used for determining suitability or reliability of these products for specific user applications. It is the duty of any such user or integrator to perform the appropriate and complete risk analysis, evaluation and testing of the products with respect to the relevant specific application or use thereof. Neither Schneider Electric Industries SAS nor any of its affiliates or subsidiaries shall be responsible or liable for misuse of the information contained herein.

## Offer Sustainability

Not Green Premium product

Not Green Premium product

Compliant - since 1149 - Schneider Electric declaration of conformity

Compliant - since 1149 - Schneider Electric declaration of conformity

Reference not containing SVHC above the threshold

Reference not containing SVHC above the threshold

WARNING: This product can expose you to chemicals including:

WARNING: This product can expose you to chemicals including:

Diisononyl phthalate (DINP), which is known to the State of California to cause cancer, and

Diisononyl phthalate (DINP), which is known to the State of California to cause cancer, and

Di-isodecyl phthalate (DIDP), which is known to the State of California to cause birth defects or other reproductive harm.

Di-isodecyl phthalate (DIDP), which is known to the State of California to cause birth defects or other reproductive harm.

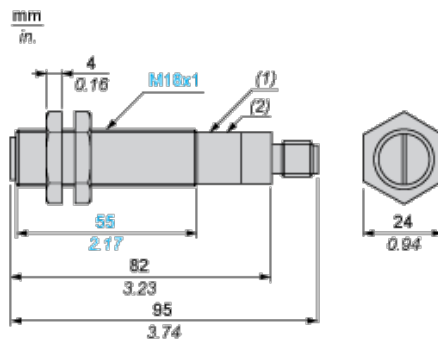
For more information go to [www.p65warnings.ca.gov](http://www.p65warnings.ca.gov)For more information go to [www.p65warnings.ca.gov](http://www.p65warnings.ca.gov)

## Contractual warranty

Warranty period

18 months

## Dimensions



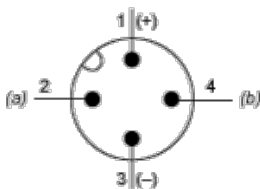
- (1) Potentiometer  
(2) Green LED

## Mounting and Clearance

Fixing nut tightening torque: &lt; 15 N.m

## Wiring Schemes

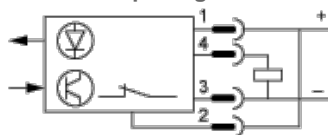
### Connector Scheme



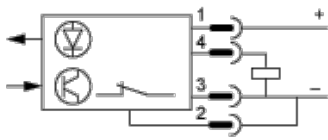
- (a) Time delay: "OFF delay" of output signal: - no time delay: connect contact 2 to (+), - 20 ms time delay: connect contact 2 to (-)  
(b) Output

### PNP Output ( 3-wire Discontinue Current)

Without output signal time delay

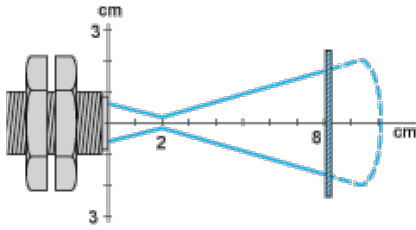


With output signal time delay (20 ms)



## Curves

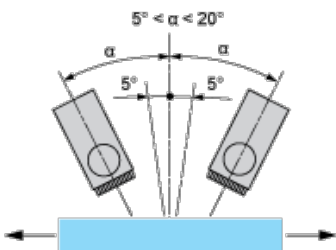
### Detection Curves



Object 5 x 5 cm, white 90 %

Object 5 x 5 cm, white 90 %

### Vertical Inclination



An angle of 5 to 10° from vertical is recommended for reflective or transparent surfaces Maximum vertical inclination: 20°

## Данный компонент на территории Российской Федерации

### Вы можете приобрести в компании MosChip.

Для оперативного оформления запроса Вам необходимо перейти по данной ссылке:

<http://moschip.ru/get-element>

Вы можете разместить у нас заказ для любого Вашего проекта, будь то серийное производство или разработка единичного прибора.

В нашем ассортименте представлены ведущие мировые производители активных и пассивных электронных компонентов.

Нашей специализацией является поставка электронной компонентной базы двойного назначения, продукции таких производителей как XILINX, Intel (ex.ALTERA), Vicor, Microchip, Texas Instruments, Analog Devices, Mini-Circuits, Amphenol, Glenair.

Сотрудничество с глобальными дистрибьюторами электронных компонентов, предоставляет возможность заказывать и получать с международных складов практически любой перечень компонентов в оптимальные для Вас сроки.

На всех этапах разработки и производства наши партнеры могут получить квалифицированную поддержку опытных инженеров.

Система менеджмента качества компании отвечает требованиям в соответствии с ГОСТ Р ИСО 9001, ГОСТ РВ 0015-002 и ЭС РД 009

### Офис по работе с юридическими лицами:

105318, г.Москва, ул.Щербаковская д.3, офис 1107, 1118, ДЦ «Щербаковский»

Телефон: +7 495 668-12-70 (многоканальный)

Факс: +7 495 668-12-70 (доб.304)

E-mail: [info@moschip.ru](mailto:info@moschip.ru)

Skype отдела продаж:

moschip.ru

moschip.ru\_4

moschip.ru\_6

moschip.ru\_9