

# Simple Fiber Amplifier

## E3X-SD/-NA

### The Highest Level of Power and Precision in the Industry with “GIGA RAY” Giga Power Lighting Element

- Stable detection of minute objects even when the Sensor is covered with dust and oil in severe environments.
- Quick-tuning to automatically adjust light level and set threshold value.
- Use the one-key one-function feature for quick, easy operation.
- Reasonable price.



### Ordering Information

**Amplifier Units** [Refer to *Dimensions* on page 13.]  
**Digital Display and Direct Key Setting**

| Item            | Appearance | Connection method       | Ratings and Specifications | Model       |             |
|-----------------|------------|-------------------------|----------------------------|-------------|-------------|
|                 |            |                         |                            | NPN output  | PNP output  |
| Standard models |            | Pre-wired (2 m)         | ---                        | E3X-SD21 2M | E3X-SD51 2M |
|                 |            | Wire-saving connector * |                            | E3X-SD7     | E3X-SD9     |

\*An Amplifier Unit Connector (sold separately) is required.

### Bar Display and Adjuster Setting



| Item                        | Appearance | Connection method        | Ratings and Specifications | Model        |              |
|-----------------------------|------------|--------------------------|----------------------------|--------------|--------------|
|                             |            |                          |                            | NPN output   | PNP output   |
| Standard models             |            | Pre-wired (2 m)          | ---                        | E3X-NA11 2M  | E3X-NA41 2M  |
|                             |            | Wire-saving connector *1 |                            | E3X-NA6      | E3X-NA8      |
| High-speed detection models |            | Pre-wired (2 m)          | Response time: 20 μs       | E3X-NA11F 2M | E3X-NA41F 2M |
| Water-resistant models      |            | Pre-wired (2 m)          | Degree of protection: IP66 | E3X-NA11V 2M | E3X-NA41V 2M |
|                             |            | Connector (M8) *2        |                            | E3X-NA14V    | E3X-NA44V    |

\*1. An Amplifier Unit Connector (sold separately) is required.

\*2. A Sensor I/O Connector (sold separately) is required.

# E3X-SD/-NA



## Amplifier Unit Connectors (sold separately) Note: Protective seals provided. [Refer to Dimensions on page 17.]

| Item             | Appearance  | Cable length | No. of conductors | Model           |
|------------------|---|--------------|-------------------|-----------------|
| Master Connector |  | 2 m          | 3                 | <b>E3X-CN11</b> |
| Slave Connector  |  |              | 1                 | <b>E3X-CN12</b> |

|  |                        |                    |                    |  |                         |
|--|------------------------|--------------------|--------------------|--|-------------------------|
| <b>Ordering Precautions for Amplifier Units Connectors</b><br>A Connector is not provided with the Amplifier Unit. Refer to the tables at the right when placing an order. | <b>Amplifier Units</b> |                    | +                  | <b>Applicable Connectors (sold separately)</b> |                         |
|  | <b>Type</b>            | <b>NPN</b>         |                    | <b>PNP</b>                                     | <b>Master Connector</b> |
|  | Standard models        | E3X-SD7<br>E3X-NA6 | E3X-SD9<br>E3X-NA8 |  | E3X-CN11 (3-wire)       |
| <b>When Using 5 Amplifier Units</b>  |                        |                    | +                  |  |                         |
| 5 Amplifier Units  |                        |                    |                    | 1 Master Connector + 4 Slave Connectors        |                         |

## Sensor I/O Connectors (Models for Connectors: A Connector is not provided with the Amplifier Unit. Be sure to order a Connector separately.)

[Refer to Dimensions on XS3.]

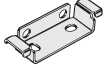
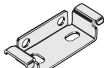
| Size | Cable specifications | Appearance   | Cable type | Model                |                        |
|------|----------------------|--|------------|----------------------|------------------------|
| M8   | Standard cable       | Straight connector   | 2 m        | Four-conductor cable | <b>XS3F-M421-402-A</b> |
|      |                      |  | 5 m        |                      | <b>XS3F-M421-405-A</b> |
|      |                      | L-shaped connector  | 2 m        |                      | <b>XS3F-M422-402-A</b> |
|      |                      |  | 5 m        |                      | <b>XS3F-M422-405-A</b> |

## Accessories (sold separately)

### Mounting Brackets

A Mounting Bracket is not provided with the Amplifier Unit. Order a Mounting Bracket separately if required.

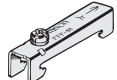
[Refer to Dimensions on page 17.]

| Appearance  | Applicable models              | Model           | Quantity |
|---|--------------------------------|-----------------|----------|
|  | E3X-SD□<br>E3X-NA□<br>E3X-NA□F | <b>E39-L143</b> | 1        |
|  | E3X-NA□V                       | <b>E39-L148</b> |          |

### End Plate

End Plates are not provided with the Amplifier Unit. Order End Plates separately if required.

[Refer to Dimensions on page 17.]

| Appearance  | Model        | Quantity |
|---|--------------|----------|
|  | <b>PPF-M</b> | 1        |

## Ratings and Specifications

### Amplifier Units

| Type                                      | Digital display and direct key setting   |                                  | Bar display and adjuster setting   |  |   |
|---|--|----------------------------------|--|--|---|
|   | Standard models  |                                  | Standard models  | High-speed detection models              | Water-resistant models                                  |
| Item                                      | Model  | E3X-SD□                          | E3X-NA□  | E3X-NA□F                                 | E3X-NA□V  |
| Light source (wavelength)                 | Red, 4-element LED (625 nm)  |                                  |  |  | Red LED (680 nm)  |
| Power supply voltage                      | 12 to 24 VDC ±10%, ripple (p-p): 10% max.  |                                  |  |  |   |
| Power consumption/<br>Current consumption | 960 mW max.<br>(Power supply voltage: 24 V,<br>Current consumption: 40 mA max.)<br>(Power supply voltage: 12 V,<br>Current consumption: 80 mA max.)  |                                  | 960 mW max. (Current consumption: 40 mA max.)  |  |   |
| Control output                            | Open-collector output (NPN or PNP)<br>Load power supply: 26.4 V max.,<br>Load current: 50 mA max.<br>(Residual voltage: 1.5 V max.)<br>Light-ON/Dark-ON mode selector  |                                  | Open-collector output (NPN or PNP)<br>Load power supply: 26.4 V max.,<br>Load current: 50 mA max.<br>(Residual voltage: 1 V max.)<br>Light-ON/Dark-ON mode selector. |  |   |
| Response time                             | Operate or reset: 200 μs max. (*1)   |                                  |  | Operate: 20 μs max.<br>Reset: 30 μs max. | Operate or reset:<br>200 μs max. (*1)                   |
| Sensitivity adjustment                    | UP/DOWN direct key setting, teaching<br>with/without a workpiece, automatic teaching   |                                  | 8-turn sensitivity adjuster (with indicator)   |  |   |
| Protection circuits                       | Power supply reverse polarity protection,<br>output short-circuit protection,<br>output reverse polarity protection  |                                  | Power supply reverse polarity protection,<br>output short-circuit protection   |  |   |
| Timer function                            | ---  |                                  | No timer, OFF-delay timer; or Timer selector (timer time: 40 ms (fixed))   |  |   |
| Mutual interference<br>prevention         | Up to 5 Amplifiers (optically synchronized) (*2)   |                                  |  | None                                     | Up to 5 Amplifiers (optical-<br>ly synchronized) (*2)   |
| Ambient illumination                      | Receiver side<br>Incandescent lamp: 10,000 lux max.<br>Sunlight: 20,000 lux max.   |                                  |  |  |   |
| Number of gang-mounted<br>Amplifiers      | 16 max. (The ambient temperature specification depends on the number of gang-mounted Amplifiers.)  |                                  |  |  |   |
| Ambient temperature<br>range              | Operating: Groups of 1 to 3 Amplifiers: -25°C to 55°C<br>Groups of 4 to 11 Amplifiers: -25°C to 50°C<br>Groups of 12 to 16 Amplifiers: -25°C to 45°C<br>Storage: -30°C to 70°C (with no icing or condensation) |                                  |  |  |   |
| Ambient humidity range                    | Operating and storage: 35% to 85% (with no condensation)   |                                  |  |  |   |
| Insulation resistance                     | 20 MΩ min. (at 500 VDC)  |                                  |  |  |   |
| Dielectric strength                       | 1,000 VAC at 50/60 Hz for 1 minute (*3)  |                                  |  |  |   |
| Vibration resistance                      | Destruction: 10 to 55 Hz with a 1.5-mm double amplitude for 2 hours each in X, Y and Z directions  |                                  |  |  |   |
| Shock resistance                          | Destruction: 500 m/s <sup>2</sup> , for 3 times each in X, Y and Z directions  |                                  |  |  |   |
| Degree of protection                      | IEC 60529 IP50 (with Protective Cover attached)  |                                  |  |  | IEC 60529 IP66<br>(with Protective Cover at-<br>tached) |
| Connection method                         | Pre-wired (standard cable length: 2 m), or connector   |                                  |  |  |   |
| Weight (packed state) (*4)                | Pre-wired model: Approx. 100 g, Model with connector: Approx. 55 g   |                                  |  |  |   |
| Material                                  | Case   | Polybutylene terephthalate (PBT) |  |  |   |
|   | Cover  | Polycarbonate (PC)               |  |  | Polyethersulfone (PES)                                  |
| Accessories                               | Instruction manual   |                                  |  |  |   |

\*1. When there are 8 or more E3X-NA Amplifiers mounted side-by-side, the response time will be 350 μs max.

\*2. Mutual interference prevention is effective when E3X-SD/-NA-series Amplifiers are gang-mounted without other E3X-series Amplifiers.

\*3. Water-resistant models and models with connectors have a dielectric strength of 500 VAC.

\*4. Add 10 g for water-resistant models.

### Amplifier Unit Connectors (Wire-saving Connectors)

| Item                  | Model   | E3X-CN11                           | E3X-CN12     |
|-----------------------|---|------------------------------------|--------------|
| Rated current         | 2.5 A   |                                    |              |
| Rated voltage         | 50 V  |                                    |              |
| Contact resistance    | 20 mΩ max. (20 mVDC max., 100 mA max.)<br>(The above figure is for connection to the Amplifier Unit and the adjacent Connector. It does not include the conductor resistance of the cable.) |                                    |              |
| Number of insertions  | Destruction: 50 times (for connection to the Amplifier Unit and the adjacent Connector)   |                                    |              |
| Material              | Housing   | Polybutylene terephthalate (PBT)   |              |
|                       | Contact   | Phosphor bronze/gold-plated nickel |              |
| Weight (packed state) | Approx. 55 g  |                                    | Approx. 25 g |

# E3X-SD/-NA

## Sensing distance

| Fiber Unit          |              |                   |              | Amplifier Unit     | Sensing distance (Unit: mm) |                         |    |
|---------------------|--------------|-------------------|--------------|--------------------|-----------------------------|-------------------------|----|
| Screw-shaped model  |              |                   |              | E3X-SD□<br>E3X-NA□ | E3X-NA□F                    | E3X-NA□V                |    |
| Sensing method      | Size         | Sensing direction | Model        | Standard models    | High-speed detection models | Water-resistance models |    |
| Through-beam models | M3           | Straight          | E32-T21R 2M  | 120                | 36                          | 60                      |    |
|                     |              | Right angle       | E32-T11N 2M  | 530                | 160                         | 280                     |    |
|                     | M4           | Straight          | E32-T11R 2M  | 560                | 160                         | 280                     |    |
|                     |              |                   | E32-TC200 2M | 800                | 240                         | 400                     |    |
|                     |              |                   | E32-T11L 2M  | 1,400              | 420                         | 700                     |    |
| Reflective models   | M3           | Right angle       | E32-C31N 2M  | 25                 | 7.5                         | 13                      |    |
|                     |              | Straight          | E32-D21R 2M  | 30                 | 10                          | 15                      |    |
|                     |              |                   | E32-C31 2M   | 80                 | 26                          | 40                      |    |
|                     |              | M4                | Straight     | E32-D211R 2M       | 30                          | 10                      | 15 |
|                     | M6           | Right angle       |              | E32-D11N 2M        | 170                         | 50                      | 90 |
|                     |              | Straight          | E32-C11N 2M  | 170                | 50                          | 85                      |    |
|                     |              |                   | E32-D11R 2M  | 180                | 60                          | 90                      |    |
|                     |              |                   | E32-DC200 2M | 300                | 100                         | 150                     |    |
|                     | E32-CC200 2M |                   | 300          | 100                | 150                         |                         |    |
|                     | E32-D11L 2M  | 400               | 130          | 200                |                             |                         |    |

| Fiber Unit          |                   |          |              | Amplifier Unit     | Sensing distance (Unit: mm) |                         |  |
|---------------------|-------------------|----------|--------------|--------------------|-----------------------------|-------------------------|--|
| Flat model          |                   |          |              | E3X-SD□<br>E3X-NA□ | E3X-NA□F                    | E3X-NA□V                |  |
| Sensing method      | Sensing direction | Size     | Model        | Standard models    | High-speed detection models | Water-resistance models |  |
| Through-beam models | Top view          | Standard | E32-T15XR 2M | 560                | 160                         | 280                     |  |
|                     |                   | Small    | E32-T25XR 2M | 120                | 36                          | 60                      |  |
|                     | Side view         | Standard | E32-T15YR 2M | 220                | 66                          | 110                     |  |
|                     |                   | Small    | E32-T25YR 2M | 60                 | 18                          | 30                      |  |
|                     | Flat view         | Standard | E32-T15ZR 2M | 220                | 66                          | 110                     |  |
|                     |                   | Small    | E32-T25ZR 2M | 60                 | 18                          | 30                      |  |
| Reflective models   | Top view          | Standard | E32-D15XR 2M | 180                | 60                          | 90                      |  |
|                     |                   | Small    | E32-D25XR 2M | 30                 | 10                          | 15                      |  |
|                     | Side view         | Standard | E32-D15YR 2M | 40                 | 10                          | 20                      |  |
|                     |                   | Small    | E32-D25YR 2M | 8                  | 2.4                         | 4                       |  |
|                     | Flat view         | Standard | E32-D15ZR 2M | 40                 | 10                          | 20                      |  |
|                     |                   | Small    | E32-D25ZR 2M | 8                  | 2.4                         | 4                       |  |

| Fiber Unit          |                   |      |              | Amplifier Unit     | Sensing distance (Unit: mm) |                         |  |
|---------------------|-------------------|------|--------------|--------------------|-----------------------------|-------------------------|--|
| Cylindrical model   |                   |      |              | E3X-SD□<br>E3X-NA□ | E3X-NA□F                    | E3X-NA□V                |  |
| Sensing method      | Sensing direction | Size | Model        | Standard models    | High-speed detection models | Water-resistance models |  |
| Through-beam models | Top view          | φ1   | E32-T223R 2M | 120                | 36                          | 60                      |  |
|                     |                   | φ3   | E32-T12R 2M  | 560                | 160                         | 280                     |  |
|                     | Side view         | φ1   | E32-T24R 2M  | 60                 | 18                          | 30                      |  |
|                     |                   | φ3   | E32-T14LR 2M | 220                | 66                          | 110                     |  |
| Reflective models   | Top view          | φ1.5 | E32-D22B 2M  | 30                 | 10                          | 15                      |  |
|                     |                   | φ2   | E32-D32 2M   | 80                 | 26                          | 40                      |  |
|                     |                   | φ3   | E32-D22R 2M  | 30                 | 10                          | 15                      |  |
|                     |                   |      | E32-D32L 2M  | 160                | 50                          | 80                      |  |
|                     | Side view         | φ2   | E32-D24R 2M  | 14                 | 4.6                         | 7                       |  |
|                     |                   | φ6   | E32-D14LR 2M | 32                 | 10                          | 16                      |  |

For information on Fiber Units, refer to the *Fiber Sensors Best Selection Catalog* (Cat. No. E353).

| Fiber Unit                 |             |               |                 | Amplifier Unit              |                             |                         |
|----------------------------|-------------|---------------|-----------------|-----------------------------|-----------------------------|-------------------------|
|                            |             |               |                 | Sensing distance (Unit: mm) |                             |                         |
| Model equipped with sleeve |             |               |                 | E3X-SD□<br>E3X-NA□          | E3X-NA□F                    | E3X-NA□V                |
| Sensing method             | Sleeve size | Mounting size | Model           | Standard models             | High-speed detection models | Water-resistance models |
| Through-beam models        | φ0.25 × 5   | φ3            | E32-T333-S5 1M  | 10                          | 3                           | 5                       |
|                            | φ0.5 × 40   |               | E32-T33 1M      | 40                          | 13.5                        | 20                      |
|                            | φ0.9 × 40   | M3            | E32-TC200F4R 2M | 120                         | 36                          | 60                      |
|                            | φ1.2 × 90   | M4            | E32-TC200BR 2M  | 560                         | 160                         | 280                     |
| Reflective models          | φ0.5 × 15   | φ2            | E32-D331 2M     | 3                           | 1                           | 1.5                     |
|                            | φ0.8 × 15   | φ3            | E32-D33 2M      | 16                          | 4                           | 10                      |
|                            | φ1.2 × 40   | M3            | E32-DC200F4R 2M | 30                          | 10                          | 15                      |
|                            | φ2.5 × 90   | M6            | E32-DC200BR 2M  | 180                         | 60                          | 90                      |

| Fiber Unit                    |                    |              |              | Amplifier Unit              |                             |                         |
|-------------------------------|--------------------|--------------|--------------|-----------------------------|-----------------------------|-------------------------|
|                               |                    |              |              | Sensing distance (Unit: mm) |                             |                         |
| Movable section (Flexibility) |                    |              |              | E3X-SD□<br>E3X-NA□          | E3X-NA□F                    | E3X-NA□V                |
| Sensing method                | Shape              | Size         | Model        | Standard models             | High-speed detection models | Water-resistance models |
| Through-beam models           | Screw-shaped model | M3           | E32-T21 2M   | 200                         | 60                          | 100                     |
|                               |                    | M4           | E32-T11 2M   | 720                         | 200                         | 360                     |
|                               | Cylindrical model  | φ1.5         | E32-T22B 2M  | 200                         | 60                          | 100                     |
|                               |                    | φ3           | E32-T12B 2M  | 720                         | 200                         | 360                     |
|                               | Flat model         | Standard     | E32-T15XB 2M | 720                         | 200                         | 360                     |
| Small                         |                    | E32-T25XB 2M | 150          | 40                          | 75                          |                         |
| Reflective models             | Screw-shaped model | M3           | E32-D21 2M   | 30                          | 10                          | 15                      |
|                               |                    | M4           | E32-D21B 2M  | 70                          | 20                          | 35                      |
|                               |                    | M6           | E32-D11 2M   | 180                         | 60                          | 90                      |
|                               | Cylindrical model  | φ1.5         | E32-D22B 2M  | 30                          | 10                          | 15                      |
|                               |                    | φ3           | E32-D221B 2M | 70                          | 20                          | 35                      |
|                               | Flat model         | Standard     | E32-D15XB 2M | 180                         | 60                          | 90                      |
|                               |                    | Small        | E32-D25XB 2M | 50                          | 16                          | 25                      |

| Fiber Unit            |                       |                        |                        | Amplifier Unit              |                             |                         |
|-----------------------|-----------------------|------------------------|------------------------|-----------------------------|-----------------------------|-------------------------|
|                       |                       |                        |                        | Sensing distance (Unit: mm) |                             |                         |
| Heat-resistance model |                       |                        |                        | E3X-SD□<br>E3X-NA□          | E3X-NA□F                    | E3X-NA□V                |
| Sensing method        | Operating temperature | Lens                   | Model                  | Standard models             | High-speed detection models | Water-resistance models |
| Through-beam models   | 100°C                 | ---                    | E32-T51R 2M            | 400                         | 120                         | 225                     |
|                       |                       | Lens                   | E32-T51R 2M + E39-F1   | 2,000                       | 720                         | 1,650                   |
|                       |                       | High-power lens        | E32-T51R 2M + E39-F16  | 4,000 *                     | 1,560                       | 2,900                   |
|                       | 150°C                 | ---                    | E32-T51 2M             | 800                         | 240                         | 400                     |
|                       |                       | Lens                   | E32-T51 2M + E39-F1-33 | 2,400                       | 720                         | 1,400                   |
|                       |                       | High-power lens        | E32-T51 2M + E39-F16   | 4,000 *                     | 3,120                       | 4,000 *                 |
|                       | 200°C                 | ---                    | E32-T54 2M             | 260                         | 70                          | 130                     |
|                       |                       | Lens                   | E32-T81R-S 2M          | 360                         | 100                         | 180                     |
|                       |                       | High-power lens        | E32-T61-S 2M + E39-F1  | 4,000 *                     | 1,800                       | 3,000                   |
|                       | 350°C                 | ---                    | E32-T61-S 2M           | 600                         | 180                         | 300                     |
| High-power lens       |                       | E32-T61-S 2M + E39-F16 | 4,000 *                | 2,340                       | 3,900                       |                         |
| Reflective models     | 100°C                 | ---                    | E32-D51R 2M            | 140                         | 42                          | 70                      |
|                       | 150°C                 |                        | E32-D51 2M             | 240                         | 80                          | 120                     |
|                       | 200°C                 |                        | E32-D81R 2M            | 90                          | 27                          | 45                      |
|                       | 350°C                 |                        | E32-D61 2M             | 90                          | 27                          | 45                      |
|                       | 400°C                 |                        | E32-D73 2M             | 60                          | 18                          | 30                      |

\* The fiber length is 2 m on each side, so the sensing distance is given as 4,000 mm.

For information on Fiber Units, refer to the *Fiber Sensors Best Selection Catalog* (Cat. No. E353).

# E3X-SD/-NA

| Fiber Unit                                 |  |              | Amplifier Unit     | Sensing distance (Unit: mm) |                         |  |
|--|--|--------------|--------------------|-----------------------------|-------------------------|--|
| Chemical-resistance / Oil-resistance model |  |              | E3X-SD□<br>E3X-NA□ | E3X-NA□F                    | E3X-NA□V                |  |
| Sensing method                             | Type   | Model        | Standard models    | High-speed detection models | Water-resistance models |  |
| Through-beam models                        | φ5   | E32-T12F 2M  | 3,200              | 960                         | 1,600                   |  |
|  | φ7.2   | E32-T11F 2M  | 2,100              | 760                         | 1,050                   |  |
|  | φ5<br>Heat-resistance                          | E32-T51F 2M  | 1,400              | 400                         | 700                     |  |
|  | φ5<br>Side view                                | E32-T14F 2M  | 400                | 120                         | 200                     |  |
|  | M4<br>Chemical-resistance cable                | E32-T11U 2M  | 720                | 200                         | 360                     |  |
|  | M4<br>Right angle<br>Chemical-resistance cable | E32-T11NU 2M | 400                | 120                         | 210                     |  |
| Reflective models                          | φ6   | E32-D12F 2M  | 100                | 32                          | 50                      |  |
|  | φ7<br>Side view                                | E32-D14F 2M  | 40                 | 13                          | 20                      |  |
|  | M6<br>Chemical-resistance cable                | E32-D11U 2M  | 180                | 60                          | 90                      |  |

| Fiber Unit              |                               |                   | Amplifier Unit        | Sensing distance (Unit: mm) |                             |                         |
|-------------------------|-------------------------------|-------------------|-----------------------|-----------------------------|-----------------------------|-------------------------|
| Vacuum-resistance model |                               |                   | E3X-SD□<br>E3X-NA□    | E3X-NA□F                    | E3X-NA□V                    |                         |
| Sensing method          | Operating ambient temperature | Sensing direction | Model                 | Standard models             | High-speed detection models | Water-resistance models |
| Through-beam models     | 120°C                         | Top view          | E32-T51V 1M           | 200                         | ---                         | 100                     |
|                         |                               |                   | E32-T51V 1M + E39-F1V | 1,200                       | ---                         | 600                     |
|                         | 200°C                         | Right angle       | E32-T54V 1M           | 130                         | ---                         | 65                      |
|                         |                               |                   | E32-T84SV 1M          | 500                         | ---                         | 250                     |

For information on Fiber Units, refer to the *Fiber Sensors Best Selection Catalog* (Cat. No. E353).

| Fiber Unit   |                              |                                 | Amplifier Unit          | Sensing distance (Unit: mm) |                             |                         |
|--|------------------------------|---------------------------------|-------------------------|-----------------------------|-----------------------------|-------------------------|
| Long distance/Dust resistance (High-power), Detection through gaps (Narrow vision field) |                              |                                 |                         | E3X-SD□<br>E3X-NA□          | E3X-NA□F                    | E3X-NA□V                |
| Sensing method   | Type                         | Sensing direction/<br>Lens type | Model                   | Standard models             | High-speed detection models | Water-resistance models |
| Through-beam models  | High-power (integrated unit) | Top view                        | E32-T17L 10M            | 20,000 *1                   | 8,400                       | 14,000                  |
|  |                              | Side view                       | E32-T14 2M              | 3,600                       | 1,080                       | 1,800                   |
|  | High-power (with lens unit)  | High-power                      | E32-T11N 2M + E39-F1    | 3,700                       | 1,110                       | 2,100                   |
|  |                              | Ultrahigh-power                 | E32-T11N 2M + E39-F16   | 4,000 *2                    | 2,000                       | 3,600                   |
|  |                              | High-power                      | E32-T11R 2M + E39-F1    | 4,000 *2                    | 1,260                       | 2,100                   |
|  |                              | Ultrahigh-power                 | E32-T11R 2M + E39-F16   | 4,000 *2                    | 2,000                       | 3,600                   |
|  |                              | Side view                       | E32-T11R 2M + E39-F2    | 440                         | 130                         | 220                     |
|  |                              | High-power                      | E32-TC200 2M + E39-F1   | 4,000 *2                    | 1,800                       | 3,000                   |
|  |                              | Ultrahigh-power                 | E32-TC200 2M + E39-F16  | 4,000 *2                    | 3,000                       | 4,000 *2                |
|  |                              | Side view                       | E32-TC200 2M + E39-F2   | 700                         | 210                         | 350                     |
|  |                              | High-power                      | E32-T11 2M + E39-F1     | 4,000 *2                    | 1,200                       | 2,000                   |
|  |                              | Ultrahigh-power                 | E32-T11 2M + E39-F16    | 4,000 *2                    | 2,600                       | 4,000 *2                |
|  |                              | Side view                       | E32-T11 2M + E39-F2     | 720                         | 200                         | 360                     |
|  |                              | High-power                      | E32-T11U 2M + E39-F1    | 3,600                       | 1,080                       | 2,000                   |
|  |                              | Ultrahigh-power                 | E32-T11U 2M + E39-F16   | 4,000 *2                    | 2,600                       | 4,000 *2                |
|  |                              | Side view                       | E32-T11U 2M + E39-F2    | 660                         | 198                         | 330                     |
|  |                              | High-power                      | E32-T11NU 2M + E39-F1   | 1,800                       | 700                         | 1,500                   |
|  |                              | Ultrahigh-power                 | E32-T11NU 2M + E39-F16  | 4,000 *2                    | 1,500                       | 2,700                   |
|  |                              | High-power                      | E32-T81R-S 2M + E39-F1  | 1,800                       | 630                         | 1,100                   |
|  |                              | Ultrahigh-power                 | E32-T81R-S 2M + E39-F16 | 4,000 *2                    | 1,300                       | 2,300                   |
|  |                              | Side view                       | E32-T81R-S 2M + E39-F2  | 280                         | 84                          | 140                     |
|  | High-power                   | E32-T61-S 2M + E39-F1           | 4,000 *2                | 1,800                       | 3,000                       |                         |
|  | Ultrahigh-power              | E32-T61-S 2M + E39-F16          | 4,000 *2                | 2,340                       | 3,900                       |                         |
| Side view  | E32-T61-S 2M + E39-F2        | 780                             | 260                     | 390                         |                             |                         |
| Narrow vision field (aperture angle: 4°)   | Top view                     | E32-T22S 2M                     | 2,000                   | 600                         | 1,000                       |                         |
|  | Side view                    | E32-T24S 2M                     | 1,400                   | 420                         | 700                         |                         |
| Reflective models  | High-power                   | Top view                        | E32-D16 2M              | 800                         | 140                         | 40 to 400               |

\*1. The fiber length is 10 m on each side, so the sensing distance is given as 20,000 mm.

\*2. The fiber length is 2 m on each side, so the sensing distance is given as 4,000 mm.

| Fiber Unit                                 |                        |                        | Amplifier Unit                 | Sensing distance (Unit: mm)                  |                             |                         |
|--|------------------------|------------------------|--------------------------------|--|-----------------------------|-------------------------|
| Minute object detection (Small-spot model) |                        |                        |                                | E3X-SD□<br>E3X-NA□                           | E3X-NA□F                    | E3X-NA□V                |
| Sensing method                             | Spot diameter (mm)     | Focal length (mm)      | Model                          | Standard models                              | High-speed detection models | Water-resistance models |
| Reflective models                          | φ0.1 to 0.6 (Variable) | 6 to 15                | E32-C42 1M + E39-F3A           | Spot diameter of 0.1 to 0.6 mm at 6 to 15 mm |                             |                         |
|  | φ0.1                   | 5                      | E32-C42S 1M                    | Spot diameter of 0.1 mm at 5 mm              |                             |                         |
|  |                        | 7                      | E32-C41 1M + E39-F3A-5         | Spot diameter of 0.1 mm at 7 mm              |                             |                         |
|  | φ0.2                   | 17                     | E32-C41 1M + E39-F3B           | Spot diameter of 0.2 mm at 17 mm             |                             |                         |
|  | φ0.5                   | 7                      | E32-C31 2M + E39-F3A-5         | Spot diameter of 0.5 mm at 7 mm              |                             |                         |
|  |                        | 17                     | E32-C31 2M + E39-F3B           | Spot diameter of 0.5 mm at 17 mm             |                             |                         |
|  | φ6                     | 50                     | E32-L15 2M                     | Spot diameter of 6 mm at 50 mm               |                             |                         |
|  | φ4 Parallel light      | 0 to 20                | E32-C31 2M + E39-F3C           | Spot diameter of 4 mm max. at 0 to 20 mm     |                             |                         |
| φ3   | 50                     | E32-C11N 2M + E39-F18  | Spot diameter of 3 mm at 50 mm |  |                             |                         |
|  |                        | E32-CC200 2M + E39-F18 | Spot diameter of 3 mm at 50 mm |  |                             |                         |

For information on Fiber Units, refer to the *Fiber Sensors Best Selection Catalog* (Cat. No. E353).

# E3X-SD/-NA

| Fiber Unit               |            |                   |              | Amplifier Unit     | Sensing distance (Unit: mm) |                         |  |
|--------------------------|------------|-------------------|--------------|--------------------|-----------------------------|-------------------------|--|
| Area-sensing (Area beam) |            |                   |              | E3X-SD□<br>E3X-NA□ | E3X-NA□F                    | E3X-NA□V                |  |
| Sensing method           | Area range | Sensing direction | Model        | Standard models    | High-speed detection models | Water-resistance models |  |
| Through-beam models      | 11 mm      | Side view         | E32-T16PR 2M | 800                | 260                         | 450                     |  |
|                          |            | Flat view         | E32-T16JR 2M | 700                | 220                         | 390                     |  |
| Reflective models        | 30 mm      | Side view         | E32-T16WR 2M | 1,380              | 400                         | 690                     |  |
|                          | 11 mm      |                   | E32-D36P1 2M | 150                | 50                          | 75                      |  |

| Fiber Unit  |                   |          |              | Amplifier Unit           | Sensing distance (Unit: mm) |                          |  |
|---|-------------------|----------|--------------|--------------------------|-----------------------------|--------------------------|--|
| Detection without background interference (Convergent-reflective) |                   |          |              | E3X-SD□<br>E3X-NA□       | E3X-NA□F                    | E3X-NA□V                 |  |
| Sensing method  | Sensing detection | Size     | Model        | Standard models          | High-speed detection models | Water-resistance models  |  |
| Reflective models   | Flat view         | Standard | E32-L16-N 2M | 0 to 15                  | 0 to 12                     | 0 to 15                  |  |
|   |                   | Small    | E32-L24S 2M  | 0 to 4                   |                             |                          |  |
|   | Top view          | ---      | E32-L25L 2M  | 5.4 to 9<br>(Center 7.2) | 5.4 to 8<br>(Center 7.2)    | 5.4 to 9<br>(Center 7.2) |  |
|   | Flat view         |          | E32-L24L 2M  | 2 to 6 (Center 4)        |                             |                          |  |

| Fiber Unit  |                   |                                    |  | Amplifier Unit     | Sensing distance (Unit: mm) |                         |  |
|---|-------------------|------------------------------------|--|--------------------|-----------------------------|-------------------------|--|
| Detection of transparent objects (Retro-reflective) |                   |                                    |  | E3X-SD□<br>E3X-NA□ | E3X-NA□F                    | E3X-NA□V                |  |
| Sensing method                                      | Type              | Model                              |  | Standard models    | High-speed detection models | Water-resistance models |  |
| Retro-reflective models<br>*1                       | Square            | E32-R16 5M + E39-R1 (Attached)     |  | 1,500              | 1,000                       | 150 to 1,500            |  |
|   | Small             | E32-R21 2M + E39-R3 (Attached)     |  | 10 to 250          | 250                         | 10 to 250               |  |
|   | Film detection *2 | E32-C31 2M<br>+ E39-F3R + E39-RP1  |  | 450                | 135                         | 225                     |  |
|   |                   | E32-C31 2M<br>+ E39-F3R + E39-RSP1 |  | 220                | 65                          | 110                     |  |

\*1. When using a highly reflective object, light reflected from the object may affect the Sensor.

\*2. Film detection may not be effective for some types of film. Confirm operation in advance.

**For information on Fiber Units, refer to the *Fiber Sensors Best Selection Catalog* (Cat. No. E353).**



| Fiber Unit                                   |                           |                       |              | Amplifier Unit  | Sensing distance (Unit: mm)   |                         |  |  |
|--|---------------------------|-----------------------|--------------|---|---|-------------------------|--|--|
| FPD / Semiconductor / Solar battery industry |                           |                       |              | E3X-SD□<br>E3X-NA□  | E3X-NA□F  | E3X-NA□V                |  |  |
| Sensing method                               | Application               | Operating temperature | Model        | Standard models   | High-speed detection models   | Water-resistance models |  |  |
| Reflective models                            | Glass substrate alignment | 70°C                  | E32-L16-N 2M | 0 to 15   |   |                         |  |  |
|  |                           |                       | E32-A08 2M   | 10 to 20  |   |                         |  |  |
|  | Glass detection           | 300°C                 | E32-A08H2 3M | 10 to 20  |   |                         |  |  |
|  |                           |                       | E32-L16-N 2M | 0 to 15   |   |                         |  |  |
|  | Glass substrate mapping   | 70°C                  | E32-A09 2M   | 15 to 38 (Center 25)  |   |                         |  |  |
|  |                           |                       | 150°C        | E32-A09H 2M   | 15 to 38 (Center 25)  |                         |  |  |
|  |                           |                       |              | E32-A09H2 2M  | 20 to 30 (Center 25)  |                         |  |  |
|  | WET process               | 60°C                  | E32-L11FP 5M | 8 to 20 mm from end of lens<br>(recommended: 11 mm)<br>19 to 31 mm from center point A of mounting hole<br>(recommended: 22 mm) |   |                         |  |  |
|  |                           |                       | 70°C         | E32-L12FS 5M  | 8 to 20 mm from end of lens<br>(recommended: 11 mm)<br>32 to 44 mm from center point A of mounting hole<br>(recommended: 35 mm) |                         |  |  |
|  |                           |                       |              | E32-L11FS 5M  | 8 to 20 mm from end of lens<br>(recommended: 11 mm)<br>32 to 44 mm from center point A of mounting hole<br>(recommended: 35 mm) |                         |  |  |
| Through-beam models                          | Wafer mapping             | 70°C                  | E32-A03 2M   | 890   | 267   | 445                     |  |  |
|  |                           |                       | E32-A03-1 2M | 890   | 267   | 445                     |  |  |
|  |                           |                       | E32-A04 2M   | 340   | 102   | 170                     |  |  |
|  |                           |                       | E32-A04-1 2M | 340   | 102   | 170                     |  |  |

| Fiber Unit                   |                   |               |              | Amplifier Unit   | Sensing distance (Unit: mm) |                         |  |
|------------------------------|-------------------|---------------|--------------|--|-----------------------------|-------------------------|--|
| Liquid-level detection model |                   |               |              | E3X-SD□<br>E3X-NA□   | E3X-NA□F                    | E3X-NA□V                |  |
| Sensing method               | Sensing direction | Pipe diameter | Model        | Standard models  | High-speed detection models | Water-resistance models |  |
| Reflective models            | Mounted to pipe   | No limit      | E32-D36T 5M  | Applicable pipe: Transparent (no restriction on diameter)  |                             |                         |  |
|                              |                   | φ8 to 10 mm   | E32-L25T 2M  | Applicable pipe: Transparent pipe with diameter of 8 to 10 mm, recommended pipe wall thickness: 1 mm |                             |                         |  |
|                              | Wet               | ---           | E32-D82F1 4M | Wet model  |                             |                         |  |

For information on Fiber Units, refer to the *Fiber Sensors Best Selection Catalog* (Cat. No. E353).

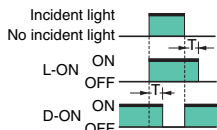
# E3X-SD/-NA

## I/O Circuit Diagrams

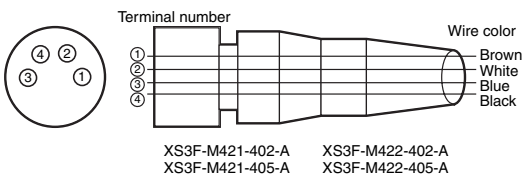
| Output form | Model   | Output transistor operation mode | Timing charts   | Operation selector | Output circuit   |
|-------------|---|----------------------------------|---|--------------------|--|
| NPN Output  | E3X-SD21<br>E3X-SD7<br><br>E3X-NA11<br>E3X-NA6<br>E3X-NA11F<br>E3X-NA11V<br>E3X-NA14V | Light-ON                         | Incident light: ON (green bar), OFF (white)<br>No incident light: OFF (white)<br>Operation indicator (orange): ON (green bar), OFF (white)<br>Output transistor: ON (green bar), OFF (white)<br>Load (relay): Operate (green bar), Reset (white)<br>(Between brown and black leads) | LIGHT ON (L-ON)    |  |
|             |   | Dark-ON                          | Incident light: ON (green bar), OFF (white)<br>No incident light: OFF (white)<br>Operation indicator (orange): ON (green bar), OFF (white)<br>Output transistor: ON (green bar), OFF (white)<br>Load (relay): Operate (green bar), Reset (white)<br>(Between brown and black leads) | DARK ON (D-ON)     | • M8 Connector Pin Arrangement<br>Note: Pin 2 is not used.<br>* Not present on the E3X-NA. |
| PNP Output  | E3X-SD51<br>E3X-SD9<br><br>E3X-NA41<br>E3X-NA8<br>E3X-NA41F<br>E3X-NA41V<br>E3X-NA44V | Light-ON                         | Incident light: ON (green bar), OFF (white)<br>No incident light: OFF (white)<br>Operation indicator (orange): ON (green bar), OFF (white)<br>Output transistor: ON (green bar), OFF (white)<br>Load (relay): Operate (green bar), Reset (white)<br>(Between blue and black leads)  | LIGHT ON (L-ON)    |  |
|             |   | Dark-ON                          | Incident light: ON (green bar), OFF (white)<br>No incident light: OFF (white)<br>Operation indicator (orange): ON (green bar), OFF (white)<br>Output transistor: ON (green bar), OFF (white)<br>Load (relay): Operate (green bar), Reset (white)<br>(Between blue and black leads)  | DARK ON (D-ON)     | • M8 Connector Pin Arrangement<br>Note: Pin 2 is not used.<br>* Not present on the E3X-NA. |

Note: Timing Charts for Timer Settings (T: Set Time)

### OFF delay



### Plug (Sensor I/O Connector)



| Classification | Wire color | Connection pin | Application        |
|----------------|------------|----------------|--------------------|
| DC             | Brown      | 1              | Power supply (+V)  |
|                | White      | 2              | ---                |
|                | Blue       | 3              | Power supply (0 V) |
|                | Black      | 4              | Output             |

Note: Pin 2 is not used.

## Safety Precautions

### ⚠ WARNING

This product is not designed or rated for ensuring safety of persons either directly or indirectly.

Do not use it for such purposes.



### ⚠ Caution

Do not exceed the rated voltage.

Excess voltage may result in malfunction or fire.



Do not use an AC power supply.

Using an AC power supply may result in rupturing.



High-temperature environments may result in burn injury.



### Precautions for Safe Use

The following precautions must be observed to ensure safety.

1. Do not use the product in locations where flammable or explosive gas is present.
2. Do not use the product in locations subject to splashing water, oil, or chemicals, or in locations subject to steam.
3. Do not attempt to disassemble, repair, or modify the product.
4. Do not apply voltage or current in excess of the rated ranges.
5. Do not use the product in atmospheres or environments that exceed product ratings.
6. Do not wire the product incorrectly, such as using incorrect power supply polarity.
7. Connect the load properly.
8. Do not short-circuit both ends of the load.
9. Do not use the product if the case is damaged.
10. When disposing of the product, dispose of it as industrial waste.
11. Do not use the product in locations subject to direct sunlight.
12. The surface temperature of the product may rise as a result of the ambient temperature, power supply, or other usage conditions. Use caution when performing maintenance and washing. Failure to do so may result in burn injury.

### Precautions for Correct Use

Do not use the product in atmospheres or environments that exceed product ratings.

#### Amplifier Units

##### ● Designing

##### Communications Hole

The hole on the side of the Amplifier Unit is a communications hole for preventing mutual interference when Amplifier Units are mounted side-by-side. The E3X-MC11 Mobile Console (sold separately) cannot be used.

If an excessive amount of light is received via the Sensor, the mutual interference prevention function may not work. In this case, make the appropriate adjustments using the sensitivity adjuster.

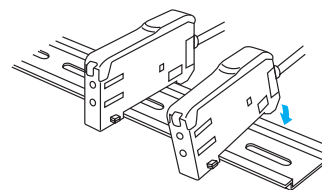
Mutual interference prevention is effective when E3X-SD/-NA-series Amplifiers are gang-mounted without other E3X-series Amplifiers.

##### ● Mounting

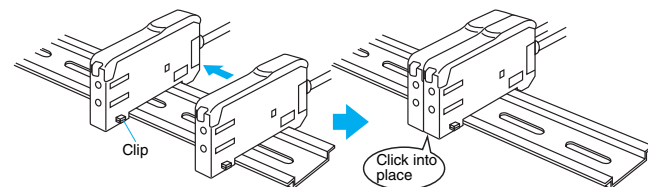
##### DIN Track Mounting/Removal

##### Mounting Amplifier Units

1. Mount the Amplifier Units one at a time onto the DIN track.



2. Slide the Amplifier Units together, line up the clips, and press the Amplifier Units together until they click into place.



##### Removing Amplifier Units

Slide Amplifier Units away from each other, and remove from the DIN track one at a time. (Do not attempt to remove Amplifier Units from the DIN track without separating them first.)

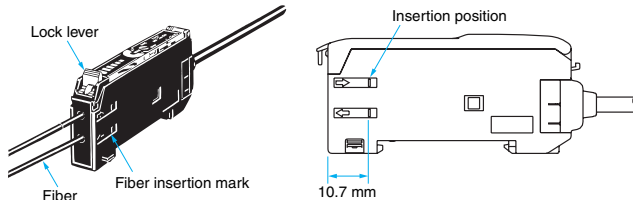
- Note 1.** The specifications for ambient temperature will vary according to the number of Amplifier Units used together. For details, refer to *Ratings and Specifications*.
- 2.** Always turn OFF the power supply before mounting or removing Amplifier Units.

## Fiber Connection and Disconnection

The E3X Amplifier Unit has a lock lever. Connect or disconnect the fibers to or from the E3X Amplifier Unit using the following procedures:

### 1. Connection

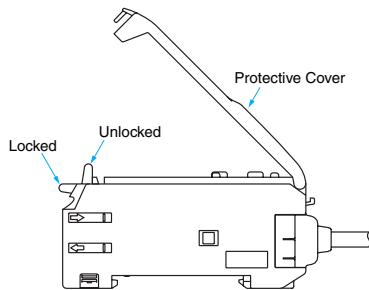
Open the Protective Cover, insert the fibers according to the fiber insertion marks on the side of the Amplifier Unit, and lower the lock lever.



**Note:** If one of the fibers from the Fiber Unit has a white line, such as with a Coaxial Sensor, that fiber is for the Emitter. Insert it into the Emitter section. Refer to Dimensions for the Fiber Unit to see if there is an Emitter fiber.

### 2. Disconnection

Remove the Protective Cover and raise the lock lever to pull out the fiber.



**Note:** To maintain the fiber properties, confirm that the lock is released before removing the fiber.

### 3. Precautions for Fiber Connection/Disconnection

Be sure to lock or unlock the lock lever within an ambient temperature range between  $-10^{\circ}\text{C}$  and  $40^{\circ}\text{C}$ .

#### ● Operating Environment

##### Ambient Conditions

If dust or dirt adhere to the hole for optical communications, it may prevent normal communications. Be sure to remove any dust or dirt before using the Units.

#### ● Other

##### Protective Cover

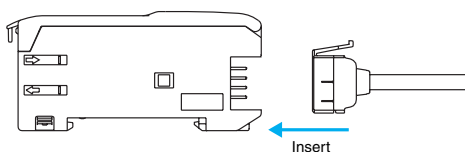
Be sure to mount the Protective Cover before use.

## Amplifier Units with Connectors

#### ● Mounting

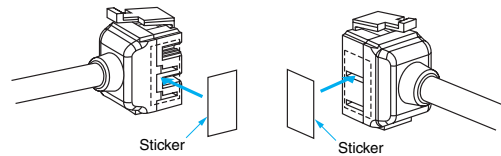
##### Mounting Connectors

1. Insert the Master or Slave Connector into the Amplifier Unit until it clicks into place.



2. Join Amplifier Units together as required after all the Master and Slave Connectors have been inserted.

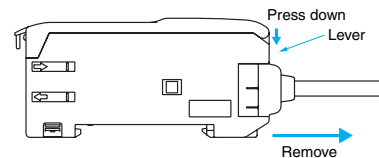
3. Attach the stickers (provided as accessories) to the sides of Master and Slave Connectors that are not connected to other Connectors.



**Note:** Attach the stickers to the sides with grooves.

### Removing Connectors

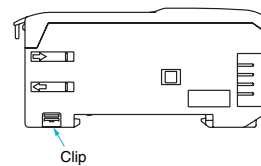
1. Slide the slave Amplifier Unit for which the Connector is to be removed away from the rest of the group.
2. After the Amplifier Unit has been separated, press down on the lever on the Connector and remove it. (Do not attempt to remove Connectors without separating them from other Amplifier Units first.)



### Mounting End Plate (PFP-M)

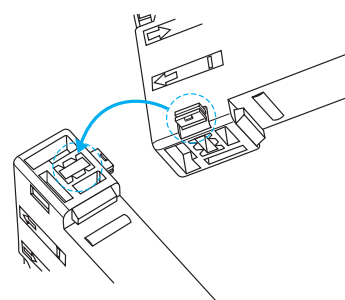
Depending on how it is mounted, an Amplifier Unit may move during operation. In this case, use an End Plate.

Before mounting an End Plate, remove the clip from the master Amplifier Unit using a nipper or similar tool.

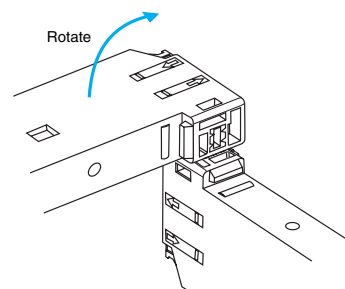


The clip can also be removed using the following mechanism, which is incorporated in the construction of the section underneath the clip.

1. Insert the clip to be removed into the slit underneath the clip on another Amplifier Unit.



2. Remove the clip by rotating the Amplifier Unit.



### Pull Strengths for Connectors (Including Cables)

E3X-CN11: 30 N max.

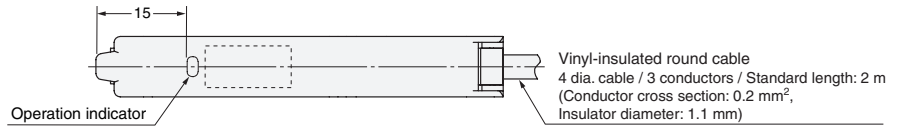
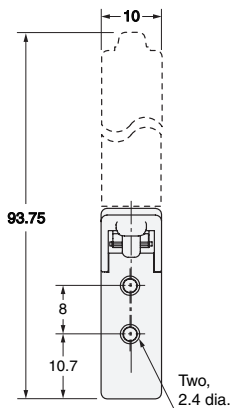
E3X-CN12: 12 N max.

## Dimensions

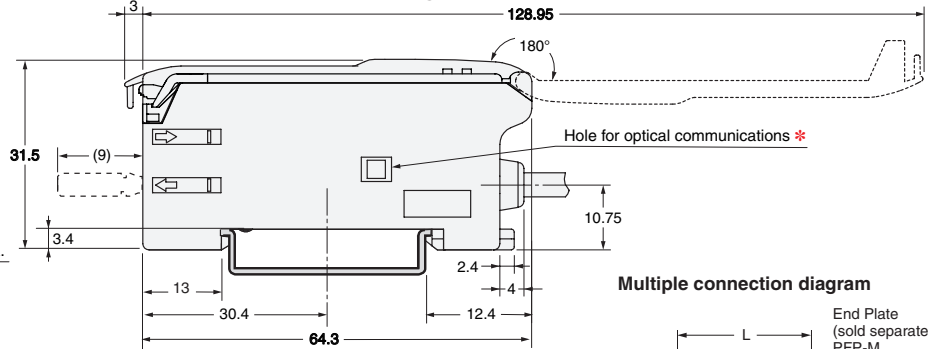
### Amplifier Units

#### Amplifier Units with Cables

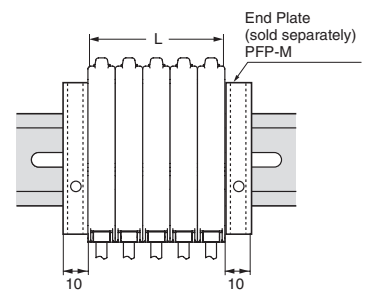
E3X-SD21  
E3X-SD51  
E3X-NA11  
E3X-NA11F  
E3X-NA41  
E3X-NA41F



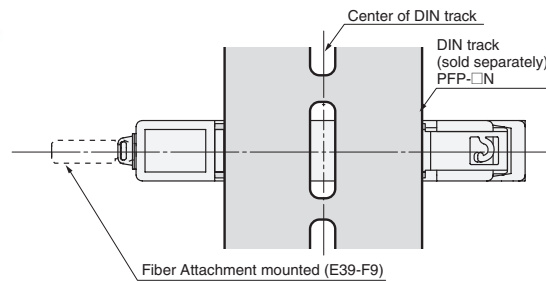
#### DIN track mounting



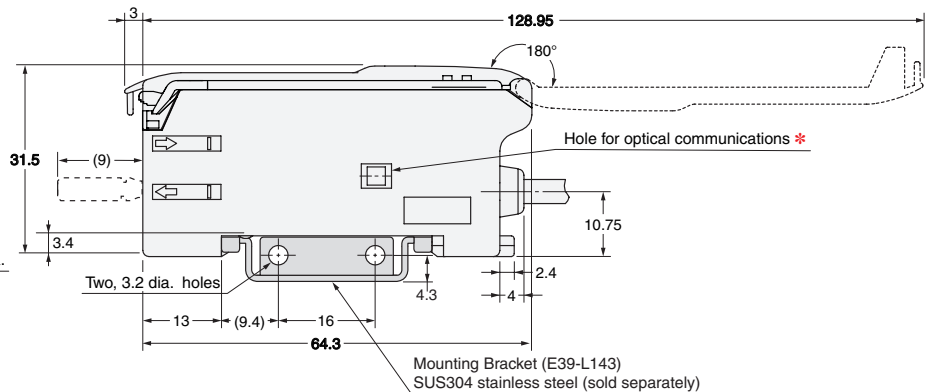
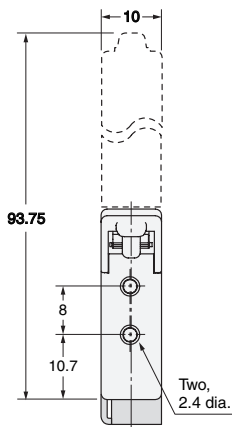
#### Multiple connection diagram



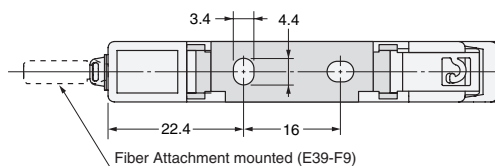
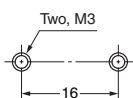
| The number of expansion | L (mm) |
|-------------------------|--------|
| 1                       | 10     |
| 2                       | 20     |
| 3                       | 30     |
| 4                       | 40     |
| 5                       | 50     |
| 6                       | 60     |
| 7                       | 70     |
| 8                       | 80     |
| 9                       | 90     |
| 10                      | 100    |



#### With Mounting Bracket Attached



#### Mounting Holes



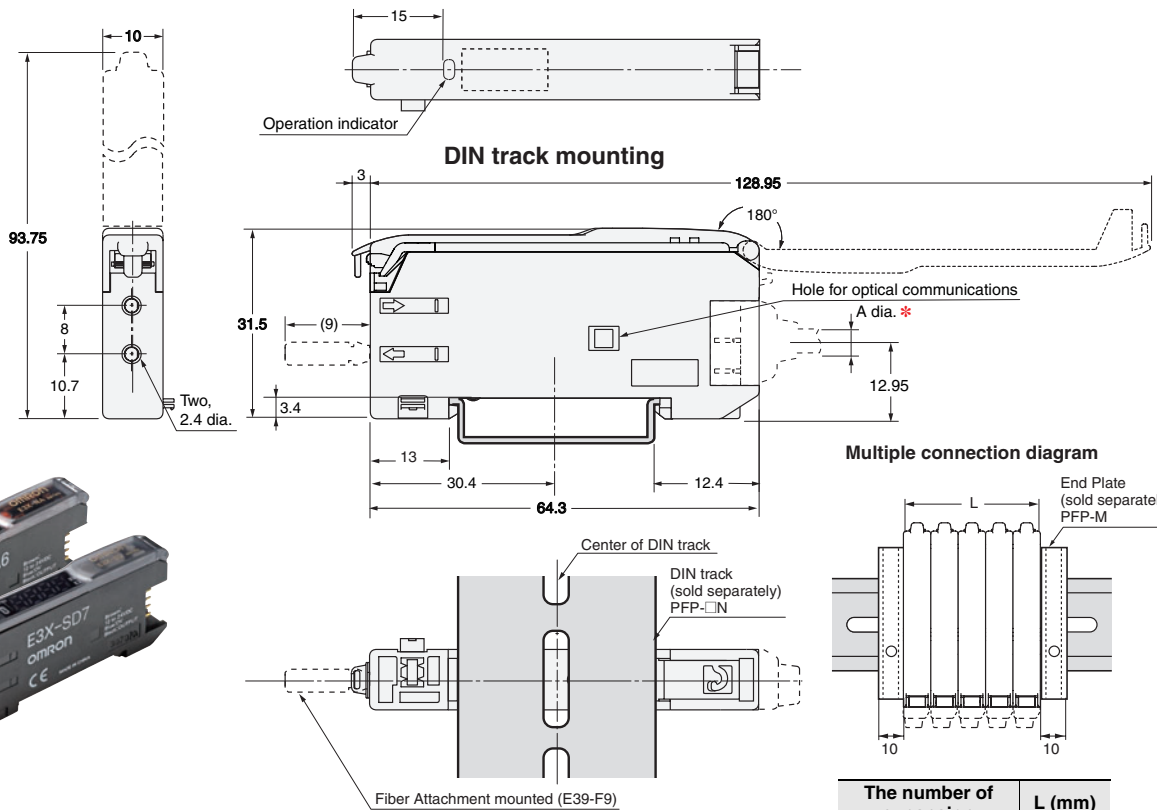
\* There is no hole for E3X-NA□F models.

**Note:** When using E39-L143 Mounting Brackets, there will be small gaps between the Amplifier Units if they are mounted side by side.

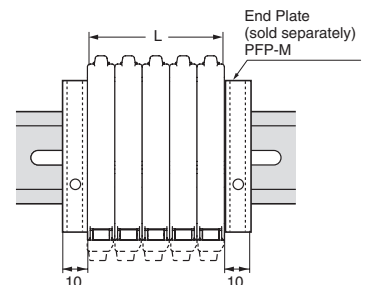
# E3X-SD/-NA

## Amplifier Units with Connectors

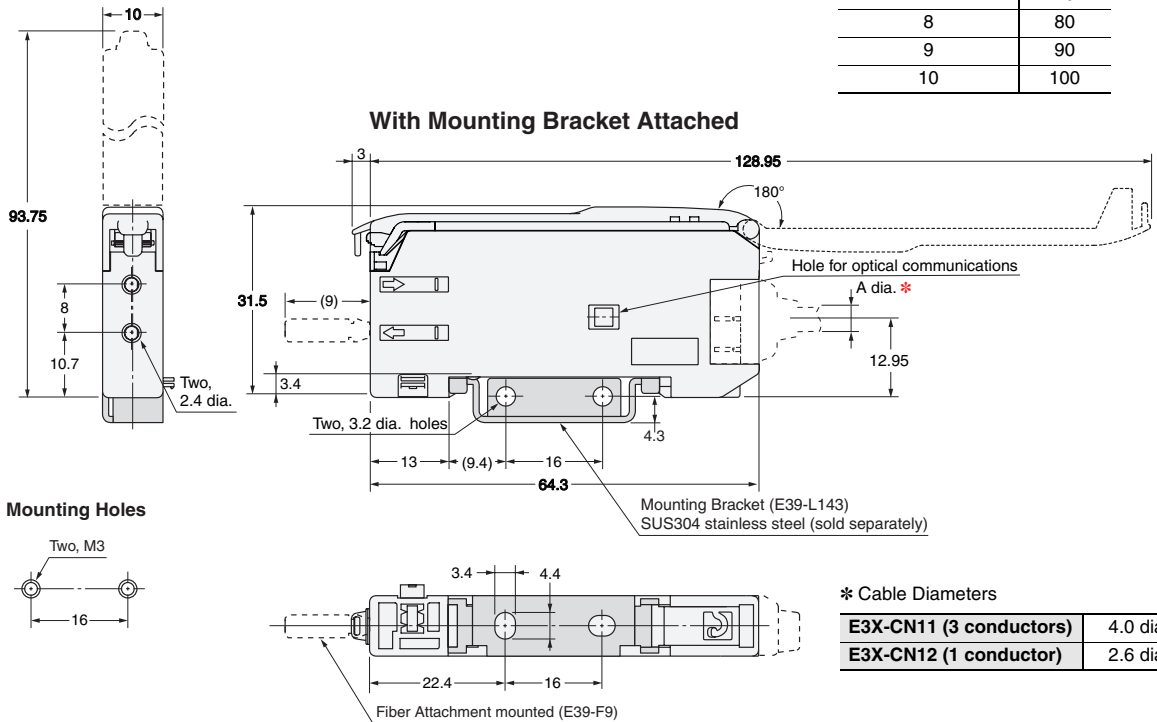
E3X-SD7  
E3X-SD9  
E3X-NA6  
E3X-NA8



Multiple connection diagram



| The number of expansion | L (mm) |
|-------------------------|--------|
| 1                       | 10     |
| 2                       | 20     |
| 3                       | 30     |
| 4                       | 40     |
| 5                       | 50     |
| 6                       | 60     |
| 7                       | 70     |
| 8                       | 80     |
| 9                       | 90     |
| 10                      | 100    |

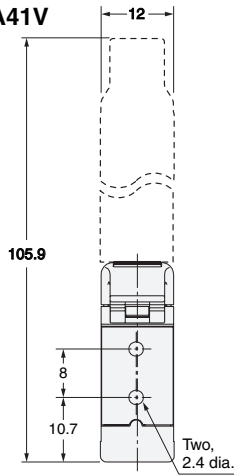


\* Cable Diameters

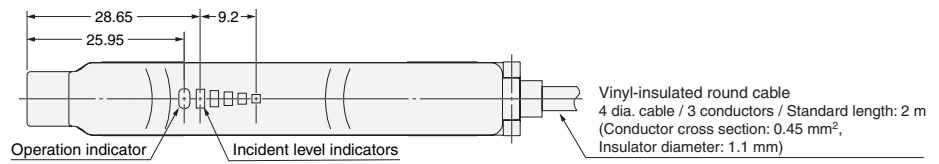
|                         |          |
|-------------------------|----------|
| E3X-CN11 (3 conductors) | 4.0 dia. |
| E3X-CN12 (1 conductor)  | 2.6 dia. |

**Note:** When using E39-L143 Mounting Brackets, there will be small gaps between the Amplifier Units if they are mounted side by side.

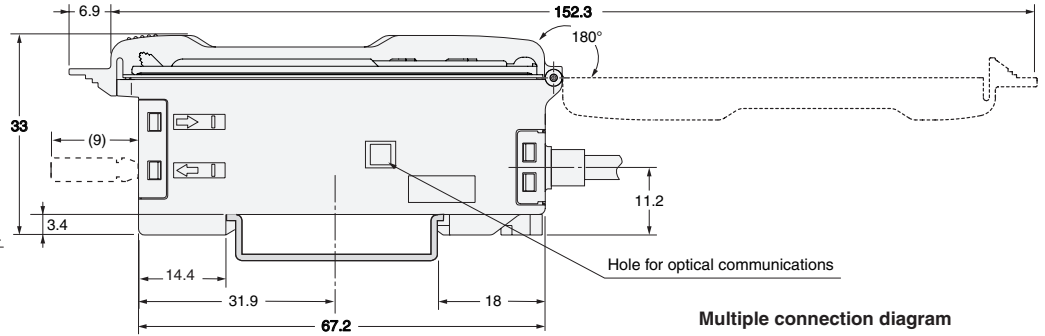
## Amplifier Units with Cables, Water-resistant Models E3X-NA11V E3X-NA41V



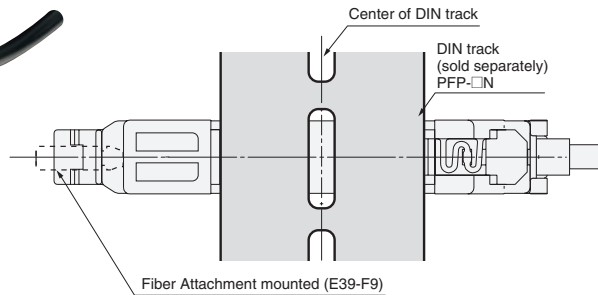
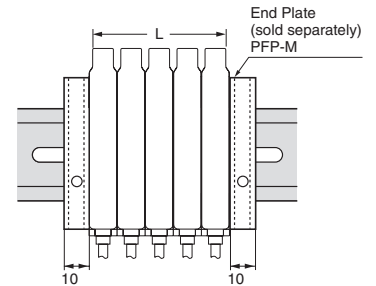
### Area of digital indication



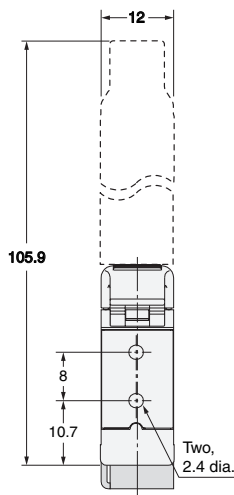
### DIN track mounting



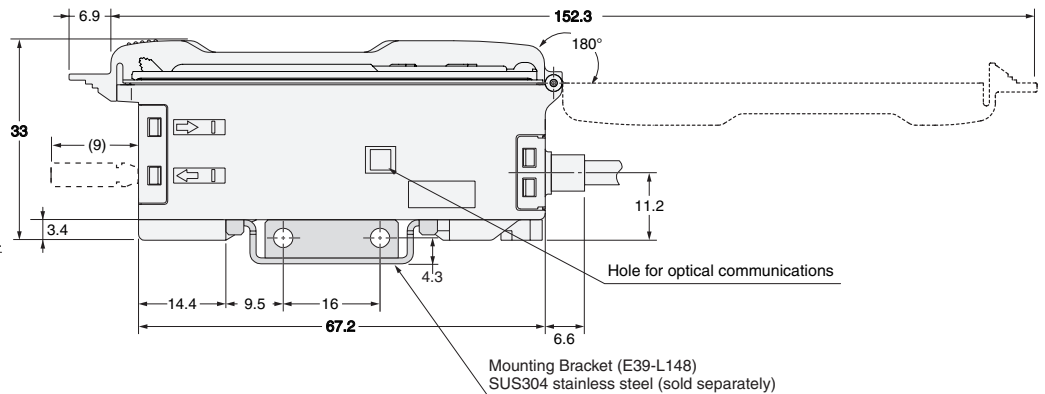
### Multiple connection diagram



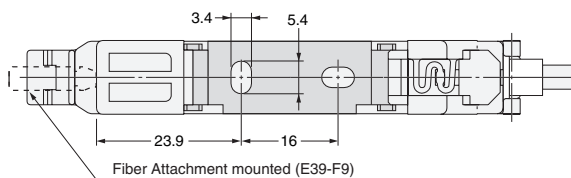
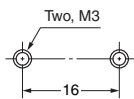
| The number of expansion | L (mm) |
|-------------------------|--------|
| 1                       | 12     |
| 2                       | 24     |
| 3                       | 36     |
| 4                       | 48     |
| 5                       | 60     |
| 6                       | 72     |
| 7                       | 84     |
| 8                       | 96     |
| 9                       | 108    |
| 10                      | 120    |



### With Mounting Bracket Attached



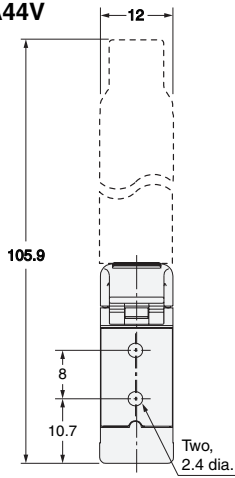
### Mounting Holes



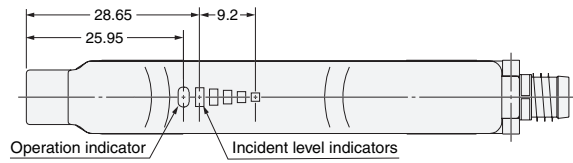
# E3X-SD/-NA

## Amplifier Units with Connectors, Water-resistant Models

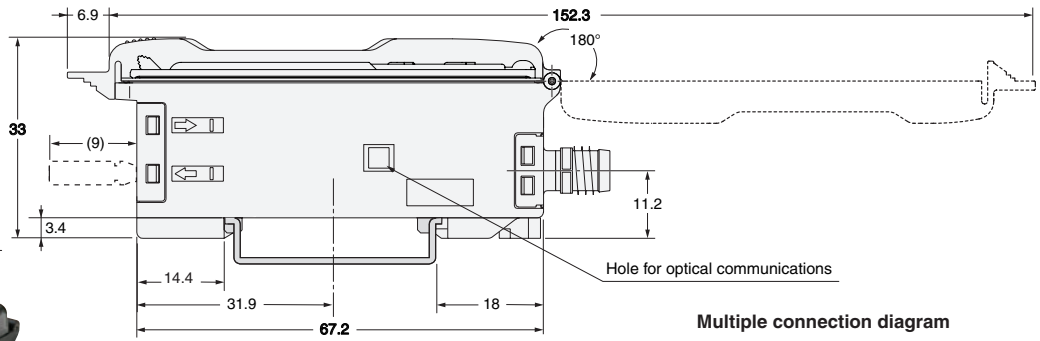
E3X-NA14V  
E3X-NA44V



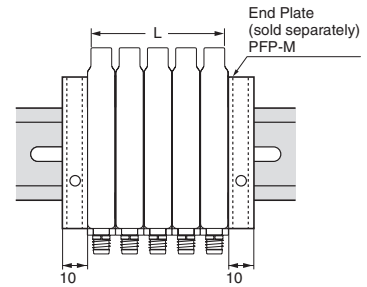
### Area of digital indication



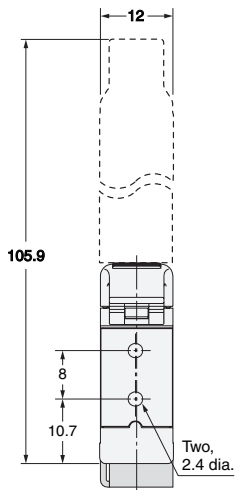
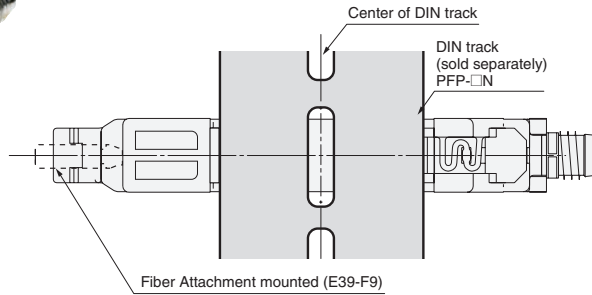
### DIN track mounting



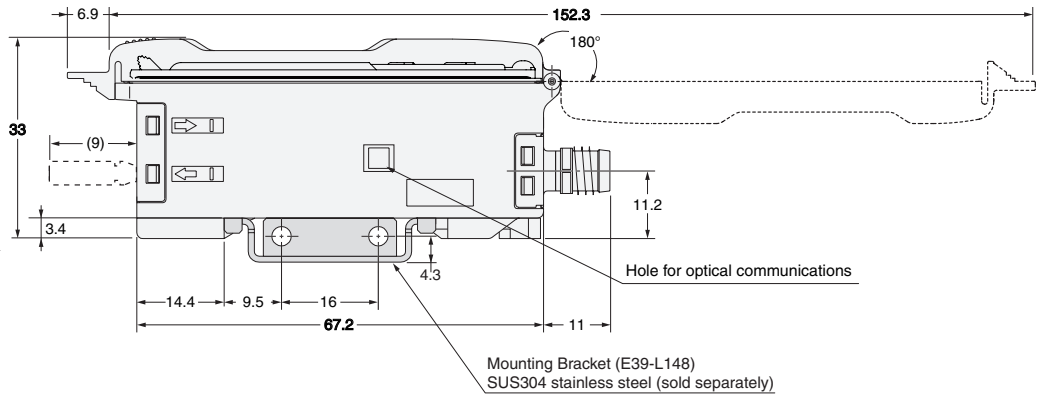
### Multiple connection diagram



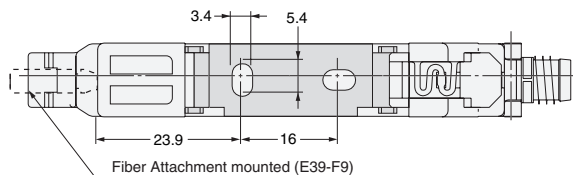
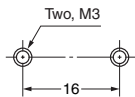
| The number of expansion | L (mm) |
|-------------------------|--------|
| 1                       | 12     |
| 2                       | 24     |
| 3                       | 36     |
| 4                       | 48     |
| 5                       | 60     |
| 6                       | 72     |
| 7                       | 84     |
| 8                       | 96     |
| 9                       | 108    |
| 10                      | 120    |



### With Mounting Bracket Attached



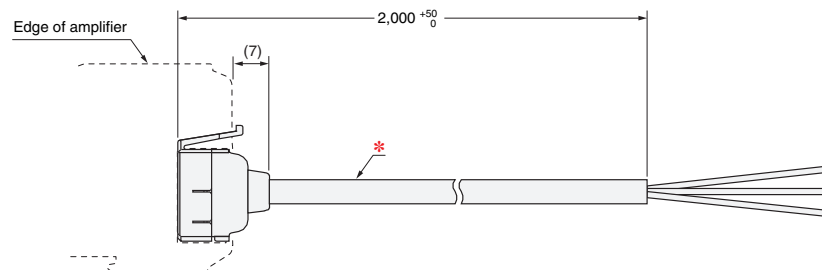
### Mounting Holes





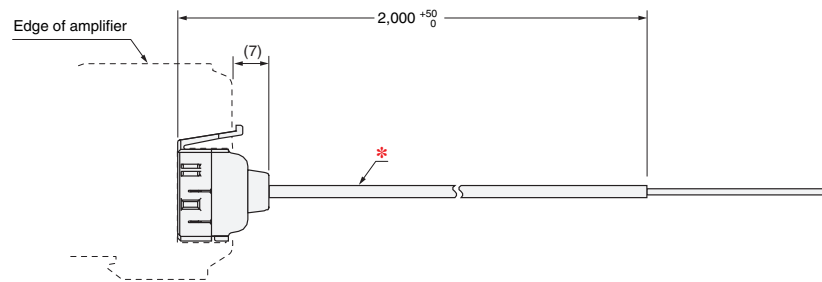
## Amplifier Unit Connectors (Wire-saving Connectors)

### Master Connector E3X-CN11



\* E3X-CN11: **4 dia. cable / 3 conductors** / Standard length: 2 m (Conductor cross section: 0.2 mm<sup>2</sup> (AWG24), Insulator diameter: 1.1 mm)

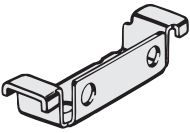
### Slave Connector E3X-CN12



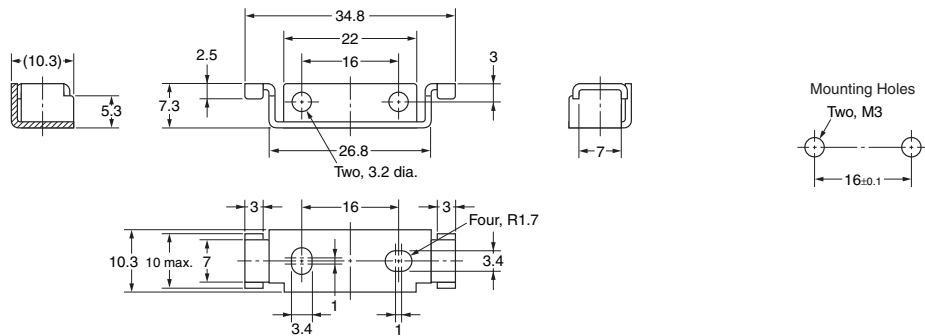
\* E3X-CN12: **2.6 dia. cable / 1 conductor** / Standard length: 2 m (Conductor cross section: 0.2 mm<sup>2</sup> (AWG24), Insulator diameter: 1.1 mm)

## Accessories (sold separately)

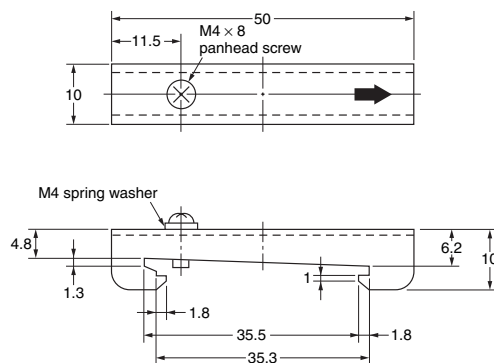
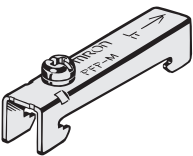
### Mounting Brackets E39-L143



Material: Stainless steel (SUS304)



### End Plates PFP-M

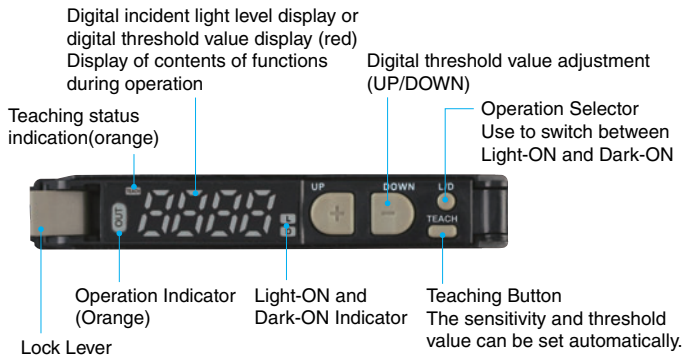


# E3X-SD/-NA

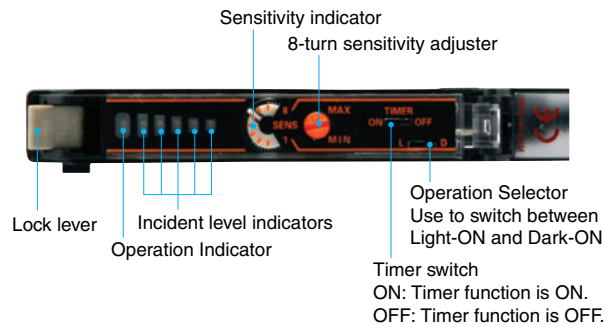
## Nomenclature

### Amplifier Units

#### E3X-SD



#### E3X-NA



## Operating Procedure

### E3X-SD

#### 1 Sensitivity Setting

The sensitivity can be set with the UP and DOWN Keys similar to using an adjuster knob. The sensitivity can also be easily set by using the following two teaching functions.

##### 2-1. Teaching with/without a Workpiece

Two points (one with the workpiece and the other without) are detected, and the operating level is set to the midpoint. Light level is also automatically set to the optimal value.

| Operation description                         | Button/Key |
|---|------------|
| Press the TEACH button with the workpiece.    | TEACH      |
| Press the TEACH button without the workpiece. | TEACH      |

##### 2-2. Automatic Teaching

Changes within a time are detected, and the operating level is set to the midpoint between the maximum and the minimum values of the changes. This setting is optimal for when the workpieces cannot be stopped. Execute automatic teaching again if the incident light level is not automatically set to the optimal value.

| Operation description   | Button/Key |
|---|------------|
| Press the TEACH button for 3 s min. Let the workpiece pass while the button is pressed. | TEACH      |

### E3X-NA

#### 1 Displays

A bar display (with four green and one red) showing excess gain is provided in addition to the orange operation indicator. Use these when adjusting the light axis and setting the sensitivity at setup.

| Display/indicator status (for L/ON)                         | Excess gain level    | Description   |
|---|----------------------|---|
| <p>Operation indicator</p> <p>Excess gain level display</p> | Approx. 120% min.    | Stable incident light                                 |
|   | Approx. 110% to 120% |   |
|   | Approx. 90% to 110%  | Unstable incident light or Unstable interrupted light |
|   | Approx. 80% to 90%   |   |
|   | Approx. 80% max.     | Stable interrupted light                              |

## **READ AND UNDERSTAND THIS DOCUMENT**

Please read and understand this document before using the products. Please consult your OMRON representative if you have any questions or comments.

## **WARRANTY**

OMRON's exclusive warranty is that the products are free from defects in materials and workmanship for a period of one year (or other period if specified) from date of sale by OMRON.

OMRON MAKES NO WARRANTY OR REPRESENTATION, EXPRESS OR IMPLIED, REGARDING NON-INFRINGEMENT, MERCHANTABILITY, OR FITNESS FOR PARTICULAR PURPOSE OF THE PRODUCTS. ANY BUYER OR USER ACKNOWLEDGES THAT THE BUYER OR USER ALONE HAS DETERMINED THAT THE PRODUCTS WILL SUITABLY MEET THE REQUIREMENTS OF THEIR INTENDED USE. OMRON DISCLAIMS ALL OTHER WARRANTIES, EXPRESS OR IMPLIED.

## **LIMITATIONS OF LIABILITY**

OMRON SHALL NOT BE RESPONSIBLE FOR SPECIAL, INDIRECT, OR CONSEQUENTIAL DAMAGES, LOSS OF PROFITS OR COMMERCIAL LOSS IN ANY WAY CONNECTED WITH THE PRODUCTS, WHETHER SUCH CLAIM IS BASED ON CONTRACT, WARRANTY, NEGLIGENCE, OR STRICT LIABILITY.

In no event shall responsibility of OMRON for any act exceed the individual price of the product on which liability is asserted.

IN NO EVENT SHALL OMRON BE RESPONSIBLE FOR WARRANTY, REPAIR, OR OTHER CLAIMS REGARDING THE PRODUCTS UNLESS OMRON'S ANALYSIS CONFIRMS THAT THE PRODUCTS WERE PROPERLY HANDLED, STORED, INSTALLED, AND MAINTAINED AND NOT SUBJECT TO CONTAMINATION, ABUSE, MISUSE, OR INAPPROPRIATE MODIFICATION OR REPAIR.

## **SUITABILITY FOR USE**

THE PRODUCTS CONTAINED IN THIS DOCUMENT ARE NOT SAFETY RATED. THEY ARE NOT DESIGNED OR RATED FOR ENSURING SAFETY OF PERSONS, AND SHOULD NOT BE RELIED UPON AS A SAFETY COMPONENT OR PROTECTIVE DEVICE FOR SUCH PURPOSES. Please refer to separate catalogs for OMRON's safety rated products.

OMRON shall not be responsible for conformity with any standards, codes, or regulations that apply to the combination of products in the customer's application or use of the product.

At the customer's request, OMRON will provide applicable third party certification documents identifying ratings and limitations of use that apply to the products. This information by itself is not sufficient for a complete determination of the suitability of the products in combination with the end product, machine, system, or other application or use.

The following are some examples of applications for which particular attention must be given. This is not intended to be an exhaustive list of all possible uses of the products, nor is it intended to imply that the uses listed may be suitable for the products:

- Outdoor use, uses involving potential chemical contamination or electrical interference, or conditions or uses not described in this document.
- Nuclear energy control systems, combustion systems, railroad systems, aviation systems, medical equipment, amusement machines, vehicles, safety equipment, and installations subject to separate industry or government regulations.
- Systems, machines, and equipment that could present a risk to life or property.

Please know and observe all prohibitions of use applicable to the products.

NEVER USE THE PRODUCTS FOR AN APPLICATION INVOLVING SERIOUS RISK TO LIFE OR PROPERTY WITHOUT ENSURING THAT THE SYSTEM AS A WHOLE HAS BEEN DESIGNED TO ADDRESS THE RISKS, AND THAT THE OMRON PRODUCT IS PROPERLY RATED AND INSTALLED FOR THE INTENDED USE WITHIN THE OVERALL EQUIPMENT OR SYSTEM.

## **PERFORMANCE DATA**

Performance data given in this document is provided as a guide for the user in determining suitability and does not constitute a warranty. It may represent the result of OMRON's test conditions, and the users must correlate it to actual application requirements. Actual performance is subject to the OMRON Warranty and Limitations of Liability.

## **CHANGE IN SPECIFICATIONS**

Product specifications and accessories may be changed at any time based on improvements and other reasons.

It is our practice to change model numbers when published ratings or features are changed, or when significant construction changes are made. However, some specifications of the product may be changed without any notice. When in doubt, special model numbers may be assigned to fix or establish key specifications for your application on your request. Please consult with your OMRON representative at any time to confirm actual specifications of purchased products.

## **DIMENSIONS AND WEIGHTS**

Dimensions and weights are nominal and are not to be used for manufacturing purposes, even when tolerances are shown.

## **ERRORS AND OMISSIONS**

The information in this document has been carefully checked and is believed to be accurate; however, no responsibility is assumed for clerical, typographical, or proofreading errors, or omissions.

## **PROGRAMMABLE PRODUCTS**

OMRON shall not be responsible for the user's programming of a programmable product, or any consequence thereof.

## **COPYRIGHT AND COPY PERMISSION**

This document shall not be copied for sales or promotions without permission.

This document is protected by copyright and is intended solely for use in conjunction with the product. Please notify us before copying or reproducing this document in any manner, for any other purpose. If copying or transmitting this document to another, please copy or transmit it in its entirety.

This document provides information mainly for selecting suitable models. Please read the Instruction sheet carefully for information that the user must understand and accept before purchase, including information on warranty, limitations of liability, and precautions.

**OMRON Corporation Industrial Automation Company**

Tokyo, JAPAN

Contact: [www.ia.omron.com](http://www.ia.omron.com)

**Regional Headquarters**

**OMRON EUROPE B.V.**

**Sensor Business Unit**

Carl-Benz-Str. 4, D-71154 Nufringen, Germany  
Tel: (49) 7032-811-0/Fax: (49) 7032-811-199

**OMRON ELECTRONICS LLC**

One Commerce Drive Schaumburg,  
IL 60173-5302 U.S.A.  
Tel: (1) 847-843-7900/Fax: (1) 847-843-7787

**OMRON ASIA PACIFIC PTE. LTD.**

No. 438A Alexandra Road # 05-05/08 (Lobby 2),  
Alexandra Technopark,  
Singapore 119967  
Tel: (65) 6835-3011/Fax: (65) 6835-2711

**OMRON (CHINA) CO., LTD.**

Room 2211, Bank of China Tower,  
200 Yin Cheng Zhong Road,  
PuDong New Area, Shanghai, 200120, China  
Tel: (86) 21-5037-2222/Fax: (86) 21-5037-2200

**Authorized Distributor:**

© OMRON Corporation 2010 All Rights Reserved.  
In the interest of product improvement,  
specifications are subject to change without notice.

**CSM\_3\_1\_1010**

**Cat. No. E401-E1-01**

0110

## Данный компонент на территории Российской Федерации

### Вы можете приобрести в компании MosChip.

Для оперативного оформления запроса Вам необходимо перейти по данной ссылке:

<http://moschip.ru/get-element>

Вы можете разместить у нас заказ для любого Вашего проекта, будь то серийное производство или разработка единичного прибора.

В нашем ассортименте представлены ведущие мировые производители активных и пассивных электронных компонентов.

Нашей специализацией является поставка электронной компонентной базы двойного назначения, продукции таких производителей как XILINX, Intel (ex.ALTERA), Vicor, Microchip, Texas Instruments, Analog Devices, Mini-Circuits, Amphenol, Glenair.

Сотрудничество с глобальными дистрибьюторами электронных компонентов, предоставляет возможность заказывать и получать с международных складов практически любой перечень компонентов в оптимальные для Вас сроки.

На всех этапах разработки и производства наши партнеры могут получить квалифицированную поддержку опытных инженеров.

Система менеджмента качества компании отвечает требованиям в соответствии с ГОСТ Р ИСО 9001, ГОСТ РВ 0015-002 и ЭС РД 009

### Офис по работе с юридическими лицами:

105318, г.Москва, ул.Щербаковская д.3, офис 1107, 1118, ДЦ «Щербаковский»

Телефон: +7 495 668-12-70 (многоканальный)

Факс: +7 495 668-12-70 (доб.304)

E-mail: [info@moschip.ru](mailto:info@moschip.ru)

Skype отдела продаж:

moschip.ru

moschip.ru\_4

moschip.ru\_6

moschip.ru\_9