

Applications

- Repeaters
- BTS Transceivers
- BTS High Power Amplifiers
- CDMA / WCDMA / LTE
- General Purpose Wireless

Product Features

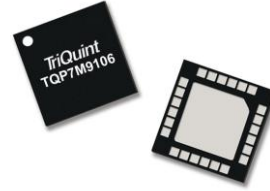
- 50–1500 MHz
- +33 dBm P1dB at 940 MHz
- +50 dBm Output IP3 at 940 MHz
- 20.8 dB Gain at 940 MHz
- +5V Single Supply, 455 mA Current
- Patented internal RF overdrive protection
- Patented internal DC overvoltage protection
- On chip ESD protection
- Shut-down capability
- Capable of handling 10:1 VSWR at $V_{cc}=+5$ V, 0.9 GHz, 33 dBm CW Pout or 23.5 dBm WCDMA Pout

General Description

The TQP7M9106 is a high linearity, high gain 2W driver amplifier in industry standard, RoHS compliant, QFN surface mount package. This InGaP/GaAs HBT delivers high performance across 0.05 to 1.5 GHz range of frequencies while achieving 20.8 dB gain, +50 dBm OIP3 and +33 dBm P1dB at 940MHz while only consuming 455 mA quiescent current. All devices are 100% RF and DC tested.

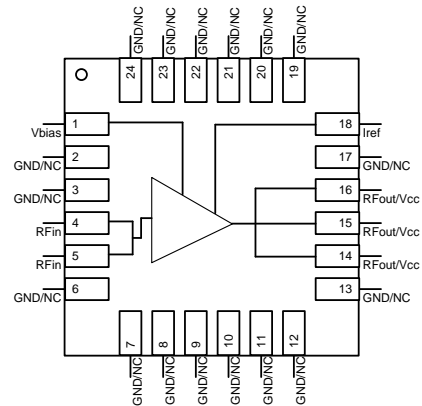
The TQP7M9106 incorporates patented on-chip circuit techniques that differentiate it from other products in the market. The amplifier integrates an on-chip DC over-voltage and RF over-drive protection. This protects the amplifier from electrical DC voltage surges and high input RF input power levels that may occur in a system.

The TQP7M9106 is targeted for use as a driver amplifier in wireless infrastructure where high linearity, medium power, and high efficiency are required. The device is an excellent candidate for transceiver line cards and high power amplifiers in current and next generation multi-carrier 3G / 4G base stations.



24 Pin 4x4 mm QFN Package

Functional Block Diagram



Pin Configuration

Pin No.	Symbol
1	Vbias
4, 5	RFin
14, 15, 16	RFout/Vcc
18	Iref
2, 3, 6-13, 17, 19-24	GND/NC

Ordering Information

Part No.	Description
TQP7M9106	2 W High Linearity Amplifier
TQP7M9106-PCB900	920–960 MHz Evaluation Board

Standard T/R size = 2500 pieces on a 13" reel.

Absolute Maximum Ratings

Parameter	Rating
Storage Temperature	-65 to 150°C
RF Input Power, CW, 50Ω, T=25°C	+30 dBm
Device Voltage (V _{CC})	+8 V

Operation of this device outside the parameter ranges given above may cause permanent damage.

Recommended Operating Conditions

Parameter	Min	Typ	Max	Units
Device Voltage (V _{CC})	4.75	5.0	5.25	V
Case Temperature	-40		+85	°C
Tj for >10 ⁶ hours MTTF			+170	°C

Electrical specifications are measured at specified test conditions. Specifications are not guaranteed over all recommended operating conditions.

Electrical Specifications

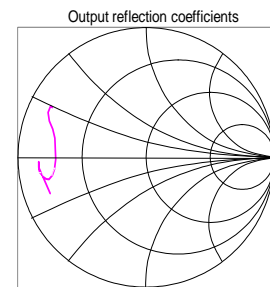
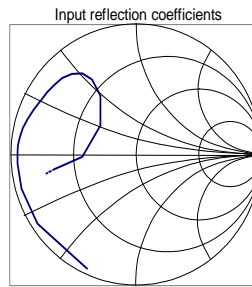
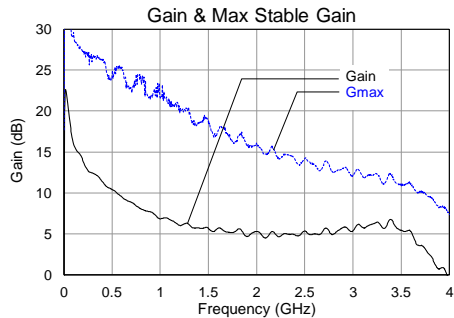
Test conditions unless otherwise noted: V_{CC}=+5 V, Temp= +25°C, tuned application circuit

Parameter	Conditions	Min	Typ	Max	Units
Operational Frequency Range		50		1500	MHz
Test Frequency			940		MHz
Gain		19	20.8	22	dB
Input Return Loss			9.2		dB
Output Return Loss			12.7		dB
Output P1dB		32	+33.1		dBm
Output IP3	P _{out} = +17 dBm/tone, Δf = 1 MHz	+46	+50.3		dBm
WCDMA Channel Power	ACLR=-50 dBc ⁽¹⁾		+23.5		dBm
Noise Figure			4.8		dB
Quiescent Current (I _{CC})		360	455	510	mA
Reference Current (I _{ref})			8.9		mA
Thermal Resistance, θ _{jc}	Junction to case		17.2		°C/W

Notes:

1. ACLR Test set-up: 3GPP WCDMA, TM1+64 DPCH, +5 MHz offset, PAR = 9.7 dB at 0.01% Prob.

Device Characterization Data



Note: The gain for the unmatched device in 50 ohm system is shown as the trace in black color, [gain (S(21))]. For a tuned circuit for a particular frequency, it is expected that actual gain will be higher, up to the maximum stable gain. The maximum stable gain is shown as the blue trace [Gmax]. The impedance plots are shown from 0.05 – 4 GHz.

S-Parameters

Test Conditions: $V_{CC}=+5\text{ V}$, $I_{CQ}=450\text{ mA}$, $T=+25^{\circ}\text{C}$, unmatched 50 ohm system, calibrated to device leads

Freq (GHz)	S11 (dB)	S11 (ang)	S21 (dB)	S21 (ang)	S12 (dB)	S12 (ang)	S22 (dB)	S22 (ang)
0.05	-0.44	-114.25	19.78	144.69	-42.10	39.11	-1.98	-159.88
0.1	-0.52	-146.09	16.00	138.73	-43.22	20.45	-1.71	-170.16
0.2	-0.50	-164.26	13.87	132.03	-40.75	6.76	-1.50	-175.13
0.4	-0.54	-176.18	11.35	121.63	-40.83	3.60	-1.55	-177.80
0.6	-0.53	178.67	9.50	112.30	-41.24	0.84	-1.56	-176.22
0.8	-0.56	175.24	8.04	104.69	-40.31	1.88	-1.53	-175.02
1.0	-0.62	171.69	6.85	98.63	-39.99	3.20	-1.53	-173.42
1.2	-0.72	167.05	6.03	91.72	-39.96	4.12	-1.56	-172.13
1.4	-0.89	162.02	5.70	85.91	-39.07	0.13	-1.69	-171.07
1.6	-1.08	156.59	5.69	79.97	-37.92	-5.54	-1.79	-169.68
1.8	-1.27	150.93	5.48	72.26	-37.57	-7.78	-1.95	-168.21
2.0	-1.38	145.46	5.28	63.03	-36.04	-20.25	-2.21	-167.59
2.2	-1.48	139.99	4.89	53.16	-36.36	-23.44	-2.57	-169.42
2.4	-1.62	134.72	4.85	45.77	-35.84	-33.51	-2.83	-173.07
2.6	-1.90	129.34	5.02	36.67	-34.86	-43.30	-3.01	-178.95
2.8	-2.39	124.31	4.93	26.06	-34.10	-48.61	-2.94	174.59
3.0	-3.38	121.03	5.32	14.17	-33.25	-62.68	-2.76	167.99
3.2	-5.41	121.85	6.17	-3.37	-32.23	-83.93	-2.38	163.09
3.4	-8.79	141.69	6.71	-26.85	-31.82	-110.34	-1.88	159.52
3.6	-7.36	-178.09	5.31	-52.42	-32.46	-138.25	-1.53	155.58
3.8	-3.69	-170.72	0.70	-76.13	-36.73	-172.04	-1.47	151.81
4.0	-2.78	-168.72	-0.74	-86.65	-37.56	176.73	-1.65	152.04

Typical Performance – TQP7M9106-PCB900

Test conditions unless otherwise noted: $V_{CC}=+5\text{ V}$, $\text{Temp}=+25^\circ\text{C}$

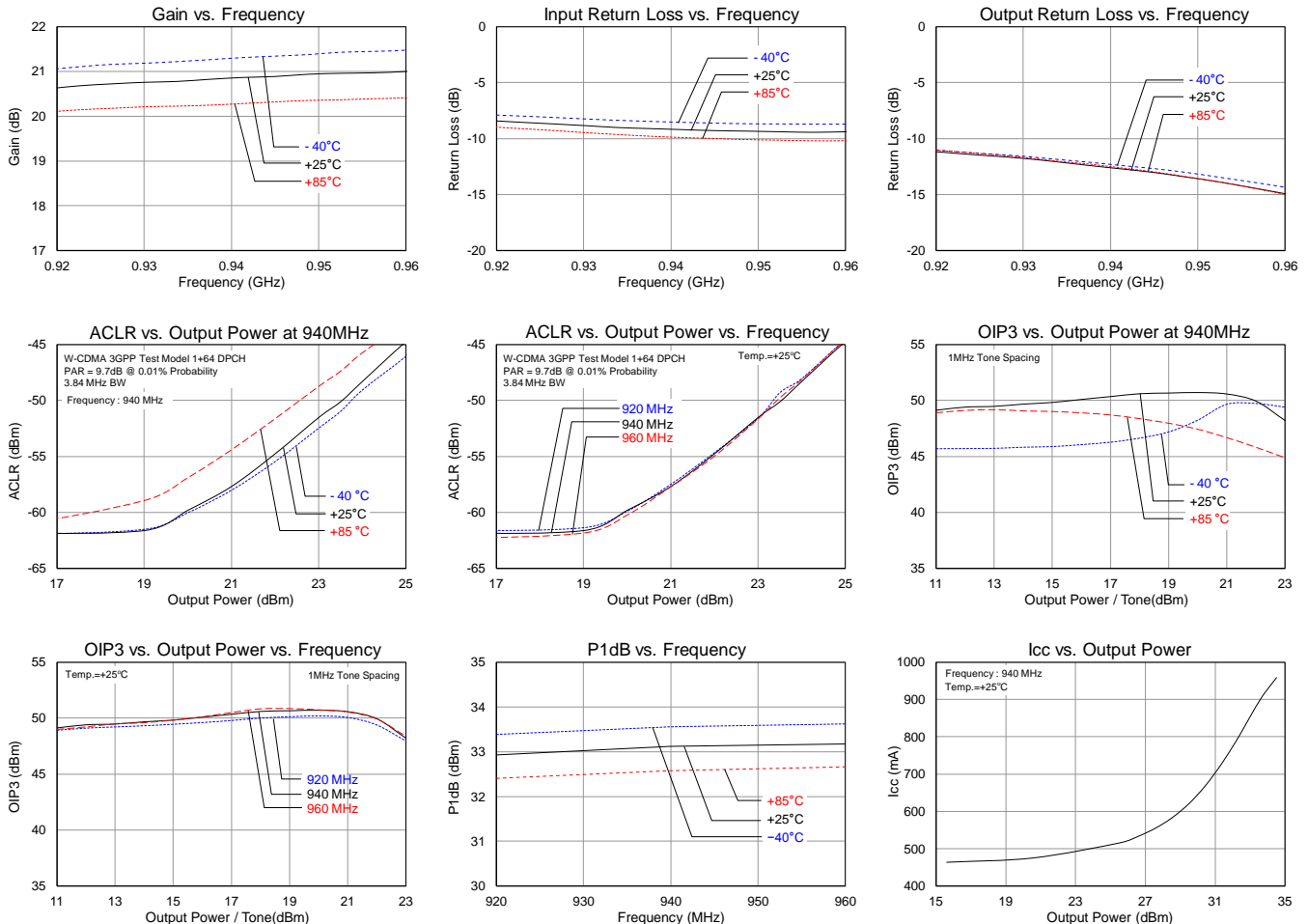
Parameter	Conditions	Typical Value			Units
		920	940	960	
Frequency		920	940	960	MHz
Gain		20.6	20.8	21	dB
Input Return Loss		8.5	9.2	9.4	dB
Output Return Loss		11.3	12.7	14.9	dB
Output P1dB		+32.9	+33.1	+33.2	dBm
Output IP3	$P_{out}= +17\text{ dBm/ tone}, \Delta f=1\text{ MHz}$	+49.8	+50.3	+50.5	dBm
WCDMA Channel Power	$\text{ACLR}=-50\text{ dBc}^{(1)}$	+23.3	+23.5	+23.5	dBm
Noise Figure		4.8	4.8	4.8	dB
Quiescent Collector Current, I_{CC}			455		mA

Notes:

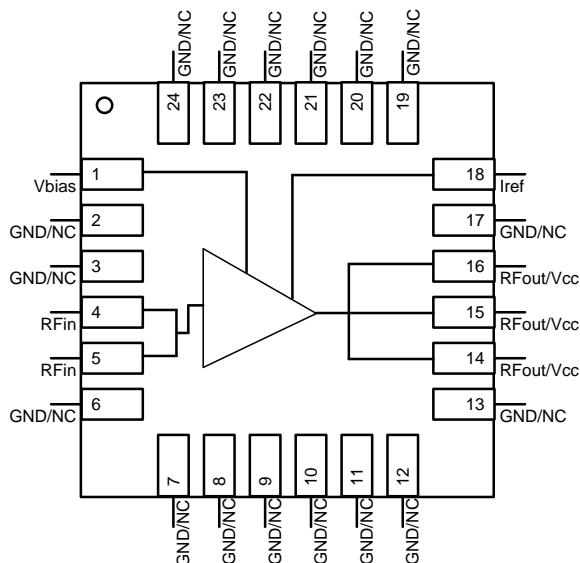
1. ACLR Test set-up: 3GPP WCDMA, TM1+64 DPCH, +5 MHz offset, PAR = 9.7 dB at 0.01% Prob.

Performance Plots – TQP7M9106-PCB900

Test conditions unless otherwise noted: $V_{CC}=+5\text{ V}$, $\text{Temp}=+25^\circ\text{C}$



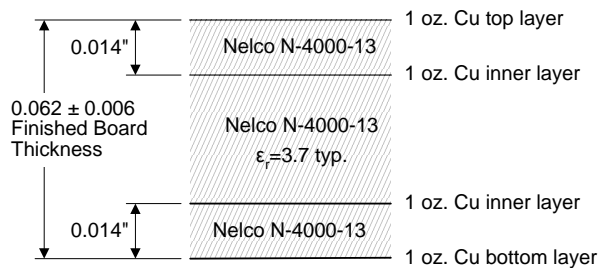
Pin Configuration and Description



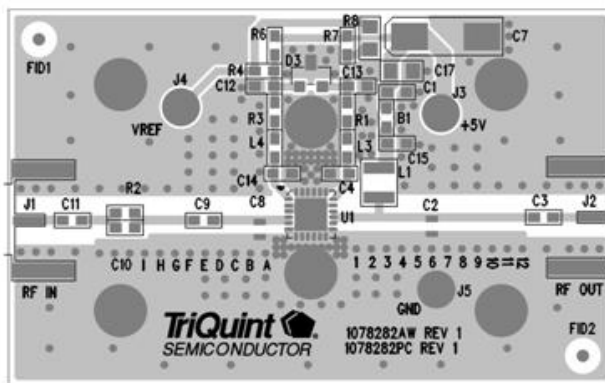
Pin No.	Symbol	Description
1	Vbias	Voltage supply for active bias for the amp. Connect to same supply voltage as Vcc.
4, 5	RF IN	RF Input. Requires external match for optimal performance. External DC Block required.
14, 15, 16	RFout / V _{cc}	RF Output. Requires external match for optimal performance. External DC Block and supply voltage is required.
18	I _{ref}	Reference current into internal active bias current mirror. Current into I _{ref} sets device quiescent current. Also, can be used as on/off control.
2, 3, 6-13, 17, 19-24	GND	RF/DC Ground Connection
Backside Paddle	RF/DC GND	RF/DC ground. Use recommended via pattern to minimize inductance and thermal resistance. See PCB Mounting Pattern for suggested footprint.

Evaluation Board PCB Information

TriQuint PCB 1078282 Material and Stack-up



50 ohm line dimensions: width = .031"
spacing = .035"

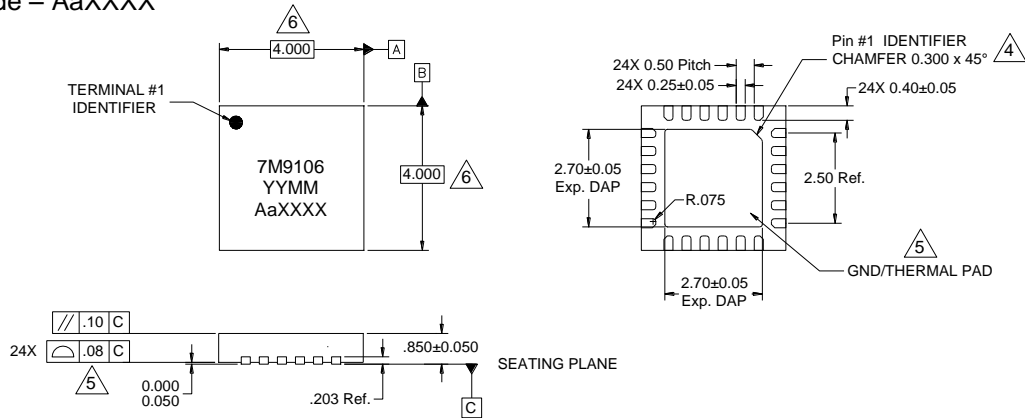


Package Marking and Dimensions

Marking: Part Number – 7M9106

Date Code – YYMM

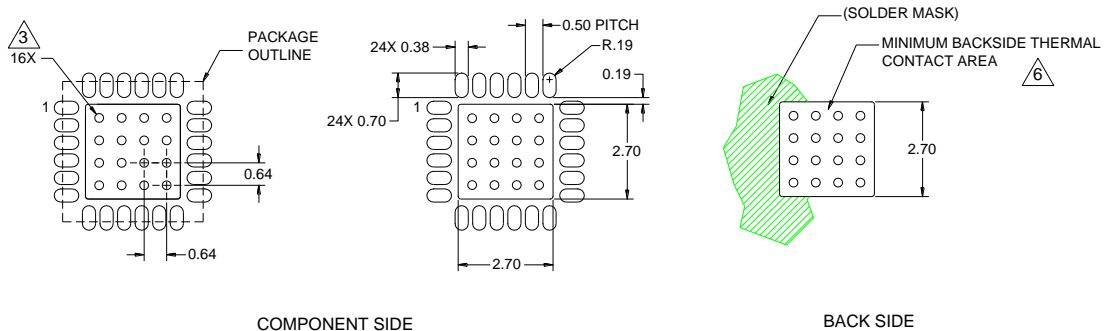
Lot code – AaXXXX



Notes:

1. All dimensions are in millimeters. Angles are in degrees.
2. Except where noted, this part outline conforms to JEDEC standard MO-220, Issue E (Variation VGGC) for thermally enhanced plastic very thin fine pitch quad flat no lead package (QFN).
3. Dimension and tolerance formats conform to ASME Y14.4M-1994.
4. The terminal #1 identifier and terminal numbering conform to JESD 95-1 SPP-012.
5. Co-planarity applies to the exposed ground/thermal pad as well as the contact pins.
6. Package body length/width does not include plastic flash protrusion across mold parting line.

PCB Mounting Pattern



Notes:

1. All dimensions are in millimeters. Angles are in degrees.
2. Use 1 oz. copper minimum for top and bottom layer metal.
3. Vias are required under the backside paddle of this device for proper RF/DC grounding and thermal dissipation. We recommend a 0.35mm (#80/.0135") diameter bit for drilling via holes and a final plated thru diameter of 0.25mm (0.10").
4. Ensure good package backside paddle solder attach for reliable operation and best electrical performance.
5. Place mounting screws near the part to fasten a back side heat sink.
6. Do not apply solder mask to the back side of the PC board in the heat sink contact region.
7. Ensure that the backside via region makes good physical contact with the heat sink.

Product Compliance Information

ESD Sensitivity Ratings



Caution! ESD-Sensitive Device

ESD Rating: Class 1C
Value: ≥ 1000 V and < 2000 V
Test: Human Body Model (HBM)
Standard: JEDEC Standard JESD22-A114

ESD Rating: Class IV
Value: Passes ≥ 1000 V
Test: Charged Device Model (CDM)
Standard: JEDEC Standard JESD22-C101

MSL Rating

MSL Rating: Level 1
Test: 260°C convection reflow
Standard: JEDEC Standard IPC/JEDEC J-STD-020

Solderability

Compatible with both lead-free (260°C maximum reflow temperature) and tin/lead (245°C maximum reflow temperature) soldering processes.

Contact plating: Annealed matte tin over copper.

RoHS Compliance

This part is compliant with EU 2002/95/EC RoHS directive (Restrictions on the Use of Certain Hazardous Substances in Electrical and Electronic Equipment).

This product also has the following attributes:

- Lead Free
- Halogen Free (Chlorine, Bromine)
- Antimony Free
- TBBP-A ($C_{15}H_{12}Br_4O_2$) Free
- PFOS Free
- SVHC Free

Contact Information

For the latest specifications, additional product information, worldwide sales and distribution locations, and information about TriQuint:

Web: www.triquint.com
Email: info-sales@tqs.com

Tel: +1.503.615.9000
Fax: +1.503.615.8902

For technical questions and application information: Email: sjapplications.engineering@tqs.com

Important Notice

The information contained herein is believed to be reliable. TriQuint makes no warranties regarding the information contained herein. TriQuint assumes no responsibility or liability whatsoever for any of the information contained herein. TriQuint assumes no responsibility or liability whatsoever for the use of the information contained herein. The information contained herein is provided "AS IS, WHERE IS" and with all faults, and the entire risk associated with such information is entirely with the user. All information contained herein is subject to change without notice. Customers should obtain and verify the latest relevant information before placing orders for TriQuint products. The information contained herein or any use of such information does not grant, explicitly or implicitly, to any party any patent rights, licenses, or any other intellectual property rights, whether with regard to such information itself or anything described by such information.

TriQuint products are not warranted or authorized for use as critical components in medical, life-saving, or life-sustaining applications, or other applications where a failure would reasonably be expected to cause severe personal injury or death.

Данный компонент на территории Российской Федерации

Вы можете приобрести в компании MosChip.

Для оперативного оформления запроса Вам необходимо перейти по данной ссылке:

<http://moschip.ru/get-element>

Вы можете разместить у нас заказ для любого Вашего проекта, будь то серийное производство или разработка единичного прибора.

В нашем ассортименте представлены ведущие мировые производители активных и пассивных электронных компонентов.

Нашей специализацией является поставка электронной компонентной базы двойного назначения, продукции таких производителей как XILINX, Intel (ex.ALTERA), Vicor, Microchip, Texas Instruments, Analog Devices, Mini-Circuits, Amphenol, Glenair.

Сотрудничество с глобальными дистрибьюторами электронных компонентов, предоставляет возможность заказывать и получать с международных складов практически любой перечень компонентов в оптимальные для Вас сроки.

На всех этапах разработки и производства наши партнеры могут получить квалифицированную поддержку опытных инженеров.

Система менеджмента качества компании отвечает требованиям в соответствии с ГОСТ Р ИСО 9001, ГОСТ РВ 0015-002 и ЭС РД 009

Офис по работе с юридическими лицами:

105318, г.Москва, ул.Щербаковская д.3, офис 1107, 1118, ДЦ «Щербаковский»

Телефон: +7 495 668-12-70 (многоканальный)

Факс: +7 495 668-12-70 (доб.304)

E-mail: info@moschip.ru

Skype отдела продаж:

moschip.ru

moschip.ru_4

moschip.ru_6

moschip.ru_9