

| CONVERSION CHART | |
|------------------|-------|
| INCH | MM |
| .002 | 0,05 |
| .012 | 0,30 |
| .022 | 0,56 |
| .028 | 0,71 |
| .039 | 0,99 |
| .059 | 1,50 |
| .079 | 2,00 |
| .098 | 2,49 |
| .100 | 2,54 |
| .134 | 3,40 |
| .138 | 3,51 |
| .193 | 4,90 |
| .217 | 5,51 |
| .236 | 6,00 |
| .295 | 7,50 |
| .315 | 8,00 |
| .374 | 9,50 |
| .394 | 10,01 |
| .709 | 18,01 |
| .748 | 19,00 |
| .866 | 22,00 |
| .945 | 24,00 |
| 1.000 | 25,40 |

| BCD COMPLEMENT CODE 137 | | | | | | | | | | |
|-------------------------|---|---|---|---|---|---|---|---|---|---|
| POS | 0 | 1 | 2 | 3 | 4 | 5 | 6 | 7 | 8 | 9 |
| C | x | x | x | x | x | x | x | x | x | x |
| 1 | x | | | | | | | | | |
| 2 | x | x | | | | | | | | |
| 4 | x | x | x | | | | | | | |
| 8 | x | x | x | x | x | x | x | x | x | x |

| BCD CODE 131 | | | | | | | | | | |
|--------------|---|---|---|---|---|---|---|---|---|---|
| POS | 0 | 1 | 2 | 3 | 4 | 5 | 6 | 7 | 8 | 9 |
| C | x | x | x | x | x | x | x | x | x | x |
| 1 | | x | | | | | | | | |
| 2 | | | x | x | | | | | | |
| 4 | | | | | x | x | | | | |
| 8 | | | | | | | | | x | x |

| DECIMAL CODE 111 | | | | | | | | | | |
|------------------|---|---|---|---|---|---|---|---|---|---|
| POS | 0 | 1 | 2 | 3 | 4 | 5 | 6 | 7 | 8 | 9 |
| C | x | x | x | x | x | x | x | x | x | x |
| 0 | x | | | | | | | | | |
| 1 | | x | | | | | | | | |
| 2 | | | x | | | | | | | |
| 3 | | | | x | | | | | | |
| 4 | | | | | x | | | | | |
| 5 | | | | | | x | | | | |
| 6 | | | | | | | x | | | |
| 7 | | | | | | | | x | | |
| 8 | | | | | | | | | x | |
| 9 | | | | | | | | | | x |

| CHANGE OVER SWITCH CODE 400 | | | |
|-----------------------------|---|----|----|
| POS | C | A+ | A- |
| + | x | x | |
| - | x | | x |
| + | x | x | |
| - | x | | x |
| + | x | x | |
| - | x | | x |
| + | x | x | |
| - | x | | x |
| + | x | x | |
| - | x | | x |

| HEXADEcimal CODE 301 | | | | | | | | | | | | | | | | |
|----------------------|---|---|---|---|---|---|---|---|---|---|---|---|---|---|---|---|
| POS | 0 | 1 | 2 | 3 | 4 | 5 | 6 | 7 | 8 | 9 | A | B | C | D | E | F |
| C | x | x | x | x | x | x | x | x | x | x | x | x | x | x | x | x |
| 1 | | x | | | | | | | | | | | | | | |
| 2 | | | x | | | | | | | | | | | | | |
| 4 | | | | x | | | | | | | | | | | | |
| 8 | | | | | x | | | | | | | | | | | |

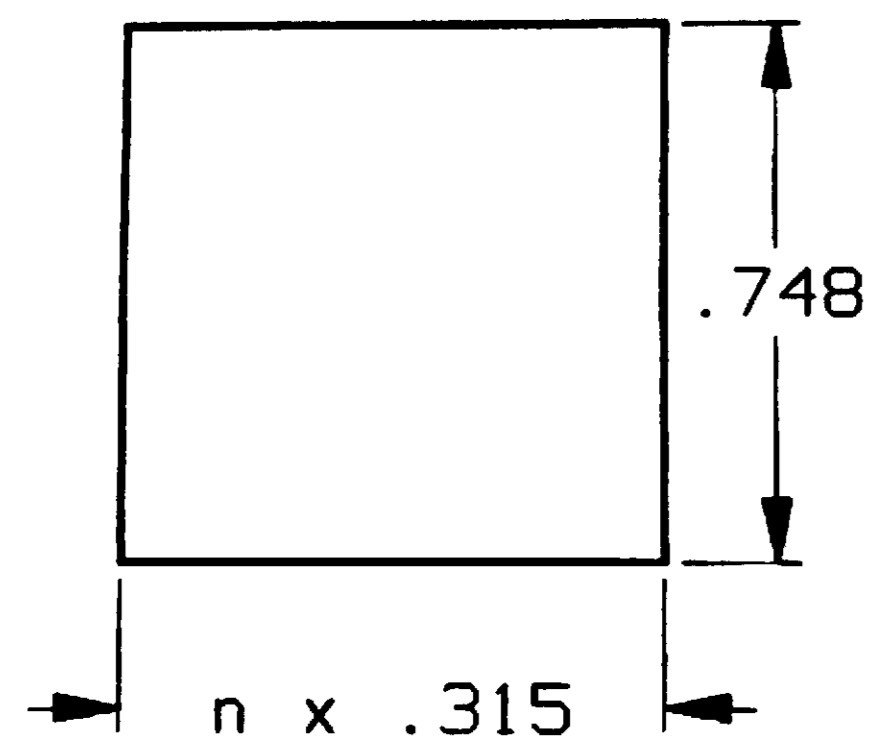
| DPS8111AK | 111 | DECIMAL CODE (1 of 10) | 0-9 |
|--------------|------|---|--------|
| DPS8131AK | 131 | 1-2-4-8 BCD CODE | 0-9 |
| DPS8131AL | 131 | BCD, EXTENDED PCB FOR DIODES | 0-9 |
| DPS8137AK | 137 | BCD, COMPLEMENT CODE | 0-9 |
| DPS8137AL | 137 | BCD, COMPLEMENT, EXT. PCB FOR DIODE | 0-9 |
| DPS8400AK | 400 | SPDT, REPEATING READOUT, 10 POS. | +8- |
| DPS8131AKLS | 131 | BCD CODE, PC PINS AT REAR | 0-9 |
| DPS8131AKULS | 131 | BCD CODE, RIGHT ANGLE PC PINS | 0-9 |
| DPS8137AKLS | 137 | BCD COMPLEMENT CODE, PC PINS | 0-9 |
| DPS8137AKULS | 137 | BCD COMPLEMENT CODE, RIGHT ANGLE PC PINS | 0-9 |
| DPS8301AK | 301 | HEXIDECIMAL CODE (16 POS.) | 0-9A-F |
| DPS8301AKLS | 301 | HEXIDECIMAL CODE (16 POS.) PC PINS | 0-9A-F |
| DPS8301AKULS | 301 | HEXIDECIMAL CODE (16 POS.) RIGHT ANGLE PC PINS | 0-9A-F |
| DPS8400AKLS | 400 | SPDT, 10 POS. REPEATING READOUT | +8- |
| DPS8400AKULS | 400 | SPDT, 10 POS. REPEATING READOUT RIGHT ANGLE PC PINS | +8- |
| MODEL NUMBER | CODE | DESCRIPTION | CHAR. |

SPECIFICATIONS:

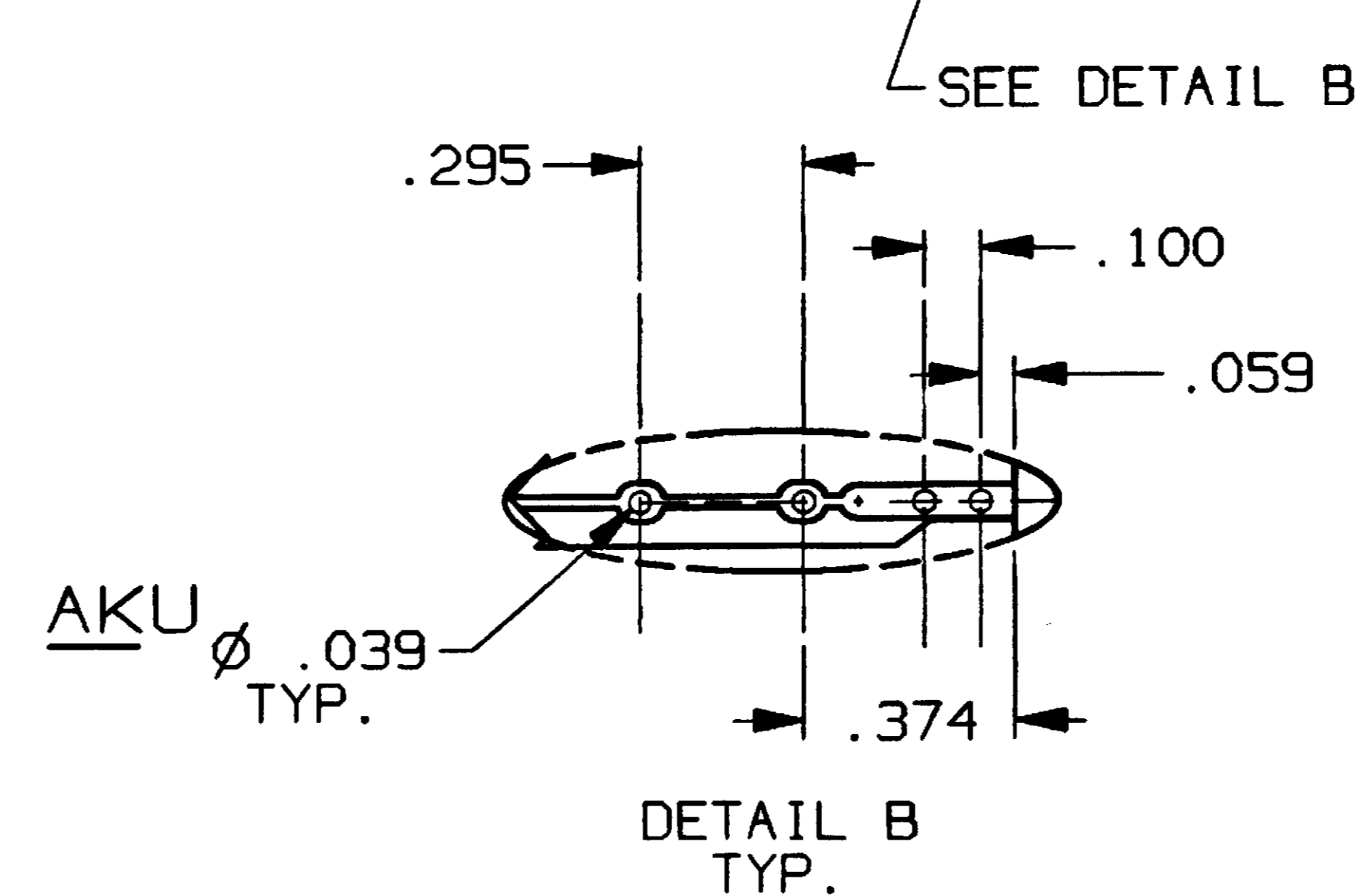
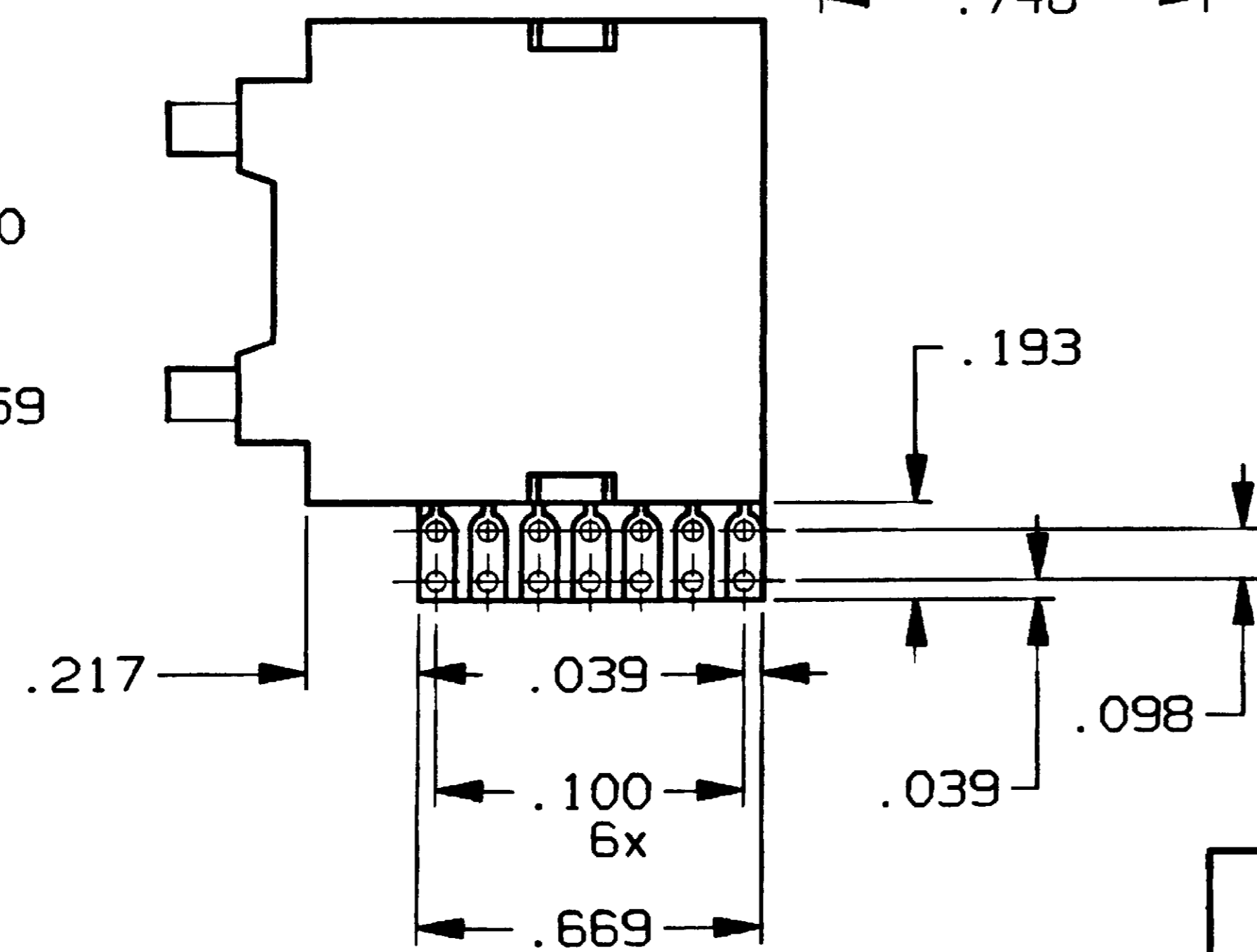
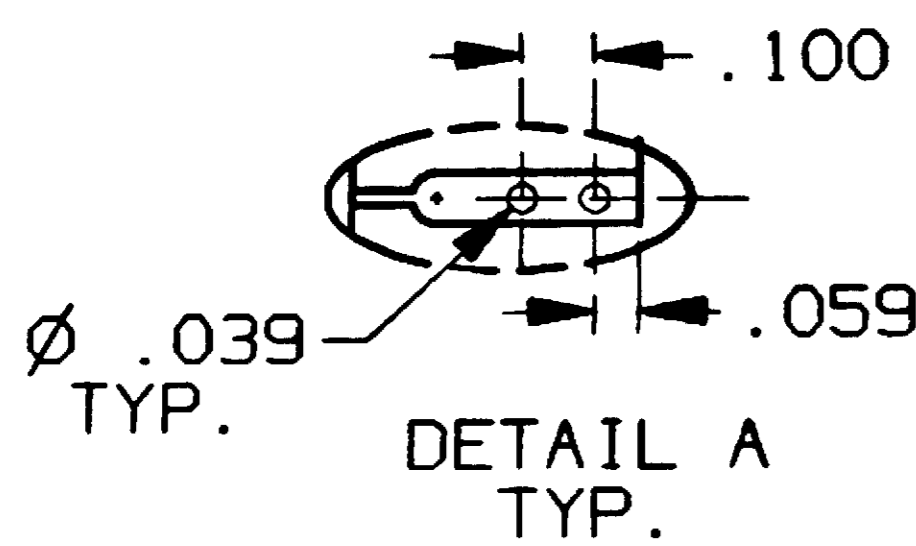
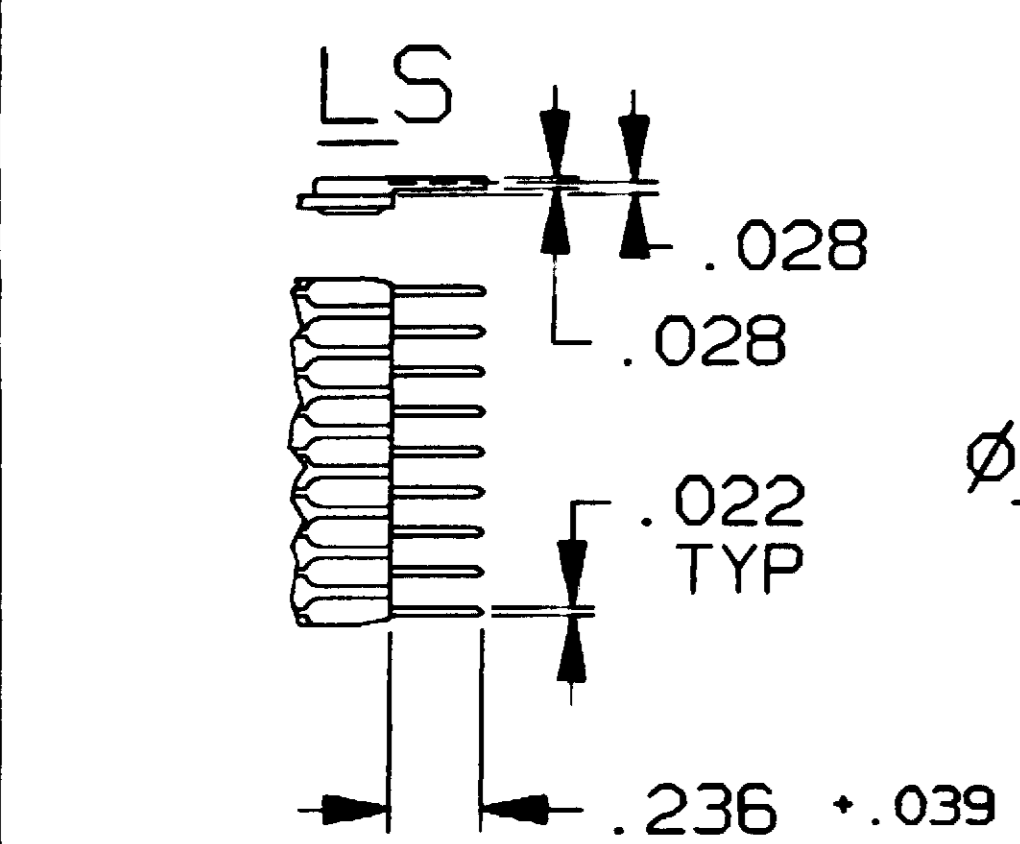
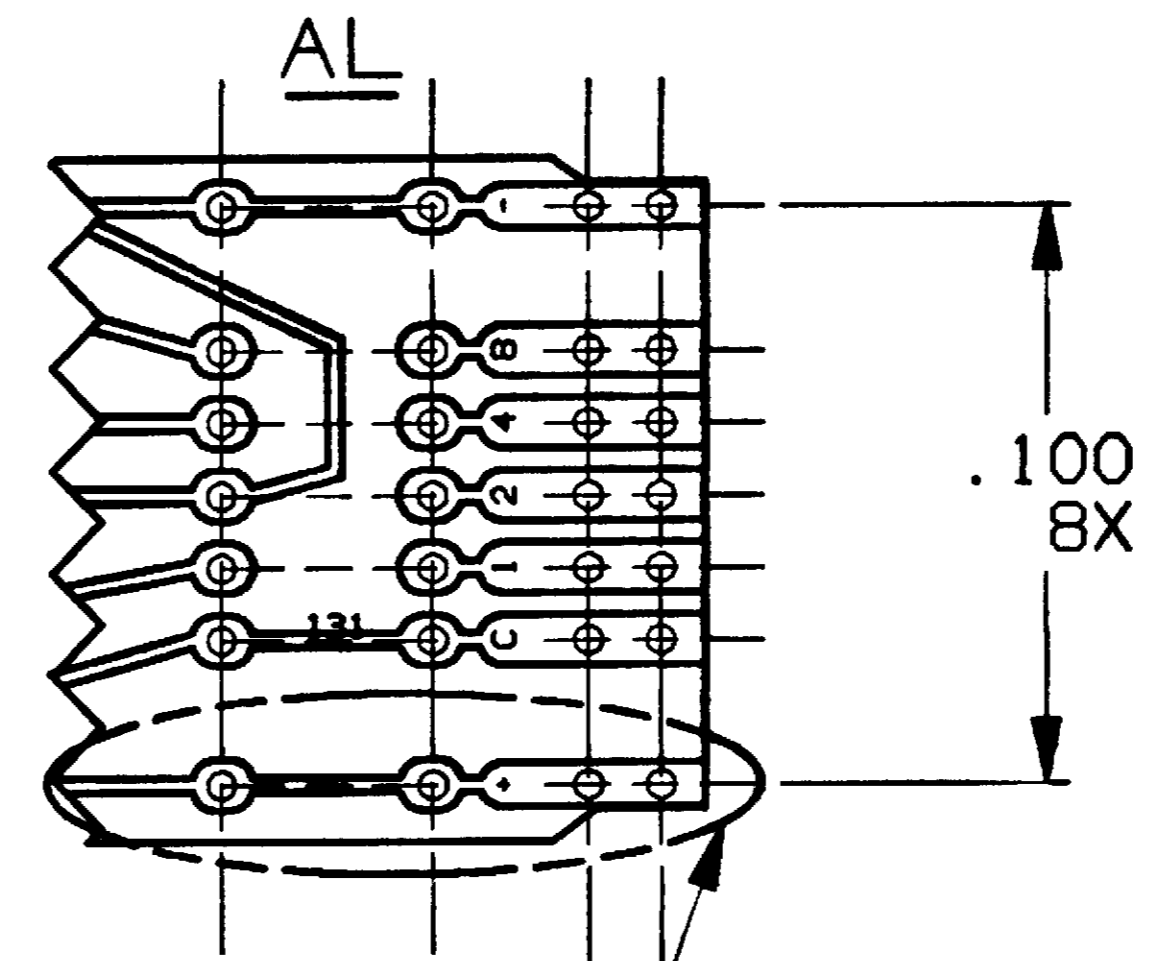
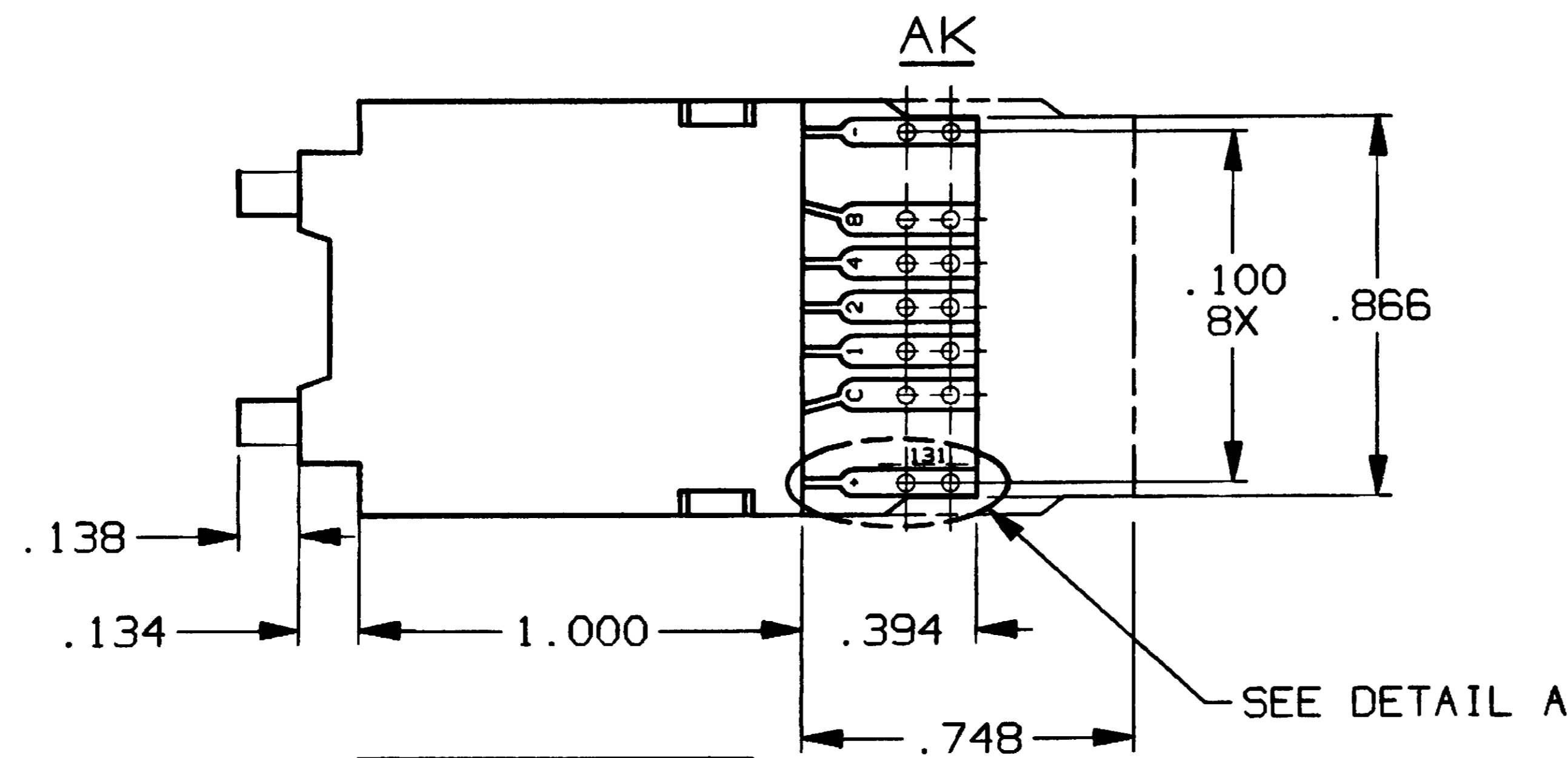
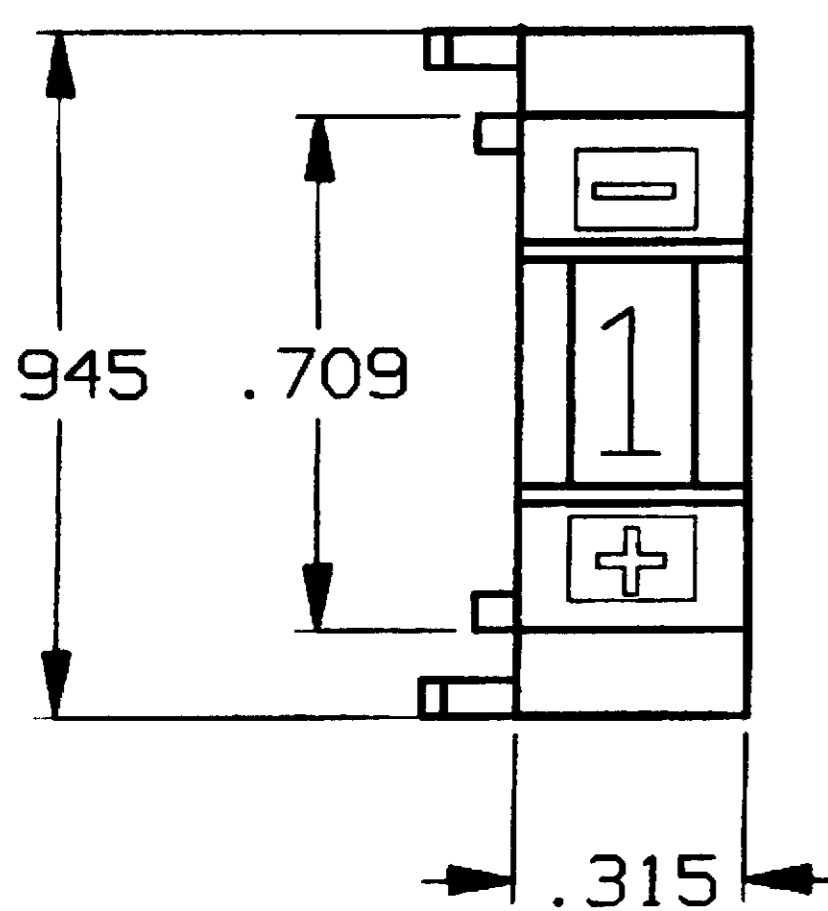
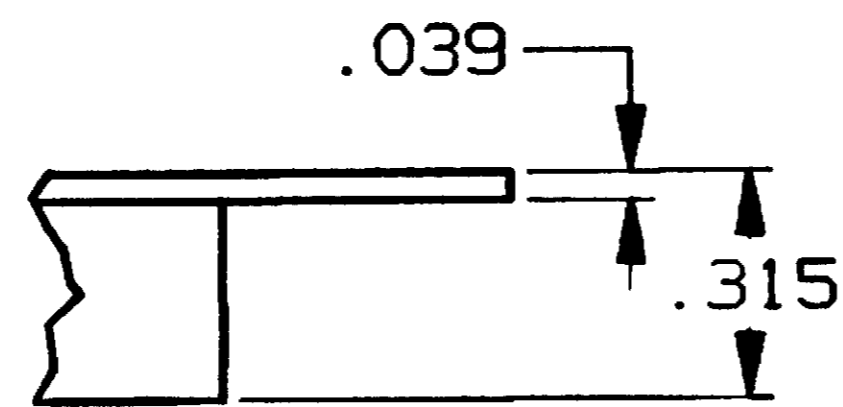
- MATERIALS:**
CASE: PPO, BLACK MATTE FINISH.
ACTUATOR BUTTONS: PPO, BLACK MATTE FINISH.
WINDOW: THERMOPLASTIC RESIN.
PCB: GLASS EPOXY TYPE, FR4
MOVING CONTACT: COPPER ALLOY, GOLD PLATE OVER NICKEL.
FIXED CONTACT: COPPER, GOLD PLATE OVER NICKEL.
TERMINALS: COPPER, GOLD PLATE OVER NICKEL.
- ELECTRICAL:**
CONTACT RATING: 0.4 VA @ 20 VDC OR PEAK AC.
INITIAL CONTACT RESISTANCE: 0.15 OHMS MAX.
LIFE EXPECTANCY: MORE THAN 10⁶ OPERATIONS
- MECHANICAL:**
ACTUATION FORCE: APPROX. 14 oz. (4 N)
- ENVIRONMENTAL:**
OPERATING TEMPERATURE: -4°F TO +176°F (-20°C TO +80°C)

NOTES:

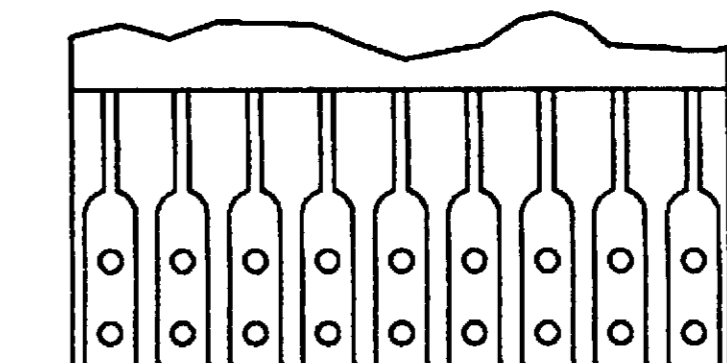
- INTERPRET DRAWING PER ASME Y14.5M-1994.
- ASSEMBLED PARTS TO BE PACKAGED FOR SHIPMENT IN ITEMS ANTISTATIC TREATED TO MEET THE REQUIREMENTS OF AUGAT SPECIFICATION NO. SPEC 224.
- CHARACTER COLOR: WHITE ON BLACK BACKGROUND. CHARACTER HEIGHT: 10/16 DIGIT, .193/.134.



n=NUMBER OF SWITCHES WITHOUT END PLATES
RECOMMENDED HOLE LAYOUT
TOLERANCE ±.002 UNLESS OTHERWISE NOTED



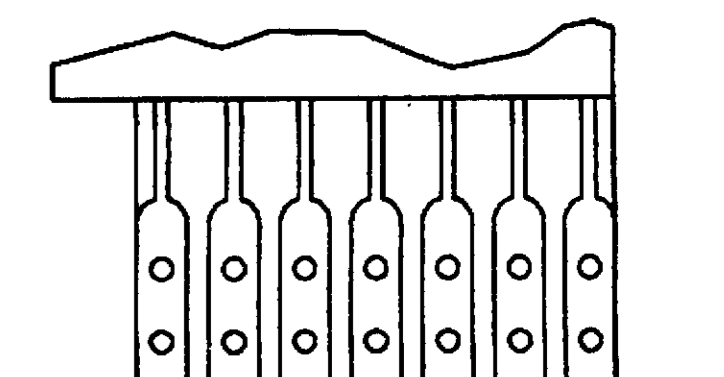
MARKING DETAIL



| | | | | | | | | | | |
|------|---|---|---|---|---|---|---|---|---|---|
| 131+ | C | 1 | 2 | 4 | 8 | - | | | | |
| 137+ | C | 1 | 2 | 4 | 8 | - | | | | |
| 301+ | 1 | 2 | C | 8 | 4 | - | | | | |
| 400+ | C | A | A | | | | | | | |
| 111 | 0 | 1 | 2 | 3 | 4 | 5 | 6 | 7 | 8 | 9 |

PITCH .079

MARKING DETAIL



| | | | | | |
|-----|---|---|---|---|---|
| 131 | C | 1 | 2 | 4 | 8 |
| 137 | C | 1 | 2 | 4 | 8 |
| 301 | C | 1 | 2 | 4 | 8 |
| 400 | C | | + | - | |

OUTLINE DRAWING
SPECIFICATIONS ARE SUBJECT TO CHANGES WITHOUT NOTICE

| | | | | |
|-------------------------------|---|---|-----------------------------------|---|
| <p>THIRD ANGLE PROJECTION</p> | UNLESS OTHERWISE SPECIFIED DIMENSIONS ARE IN INCHES DO NOT SCALE PRINT | | ORIGINAL DATE OF DRAWING: 3/25/81 | |
| | TOLERANCES (EXCEPT AS NOTED) ANGULAR = ±1/2° DECIMAL .XX = DECIMAL .XXX = ±.012 DECIMAL .XXXX = | FILE NAME: 800230UT MATERIAL: SEE SPECIFICATIONS ABOVE FINISH: SEE SPECIFICATIONS ABOVE | DIRECTORY: CODSWITCH | DRAWN: V.J. MARTIN CHECKED: B. BUCKHEIT APPROVED: D. SARKISIAN CODE IDENT. NO. 91506 NEXT ASSY: |

TE TE Connectivity

TITLE: **OUTLINE DRAWING**
CODE SWITCH
DUAL PUSHBUTTON
DPS-8 SERIES

DWG. NO. **C-1-1437603-1** REV. **A**

PRODUCT CODE: H13
SCALE: 2/1 SHEET 1 OF 1

| | | |
|---------------|-----------|--|
| REV. A | REVISIONS | REVISED PER ECO-11-006294 DR: RK APR: HMR DATE: 16APR11 |
|---------------|-----------|--|

Данный компонент на территории Российской Федерации

Вы можете приобрести в компании MosChip.

Для оперативного оформления запроса Вам необходимо перейти по данной ссылке:

<http://moschip.ru/get-element>

Вы можете разместить у нас заказ для любого Вашего проекта, будь то серийное производство или разработка единичного прибора.

В нашем ассортименте представлены ведущие мировые производители активных и пассивных электронных компонентов.

Нашей специализацией является поставка электронной компонентной базы двойного назначения, продукции таких производителей как XILINX, Intel (ex.ALTERA), Vicor, Microchip, Texas Instruments, Analog Devices, Mini-Circuits, Amphenol, Glenair.

Сотрудничество с глобальными дистрибьюторами электронных компонентов, предоставляет возможность заказывать и получать с международных складов практически любой перечень компонентов в оптимальные для Вас сроки.

На всех этапах разработки и производства наши партнеры могут получить квалифицированную поддержку опытных инженеров.

Система менеджмента качества компании отвечает требованиям в соответствии с ГОСТ Р ИСО 9001, ГОСТ РВ 0015-002 и ЭС РД 009

Офис по работе с юридическими лицами:

105318, г.Москва, ул.Щербаковская д.3, офис 1107, 1118, ДЦ «Щербаковский»

Телефон: +7 495 668-12-70 (многоканальный)

Факс: +7 495 668-12-70 (доб.304)

E-mail: info@moschip.ru

Skype отдела продаж:

moschip.ru

moschip.ru_4

moschip.ru_6

moschip.ru_9