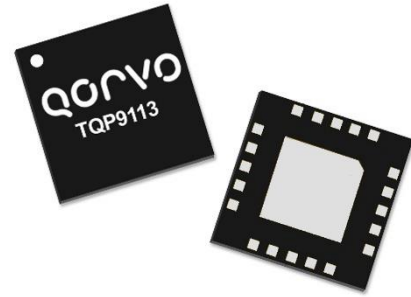


General Description

The TQP9113 is a 1 W, linear, two-stage driver amplifier in a low-cost surface-mount package. The amplifier is able to achieve high performance with +42 dBm OIP3 and +30.4 dBm P1dB while only consuming 216 mA current. The input is internally matched and the amplifier only requires only a few external components for operation. The integrated interstage match minimizes performance variation that would otherwise be attributed to external matching component value and placement tolerances.

The TQP9113 is bias adjustable allowing the amplifier's power consumption to be reduced for occasions when linear performance is not required. The amplifier can also be switched on and off for TDD applications. The output match is tunable externally to allow the amplifier to be optimized for high power or high linearity applications.

The TQP9113 is available in a RoHS-compliant 20-pin 4 x 4 mm surface mount package.



20-Pin 4 x 4 mm Leadless QFN Package

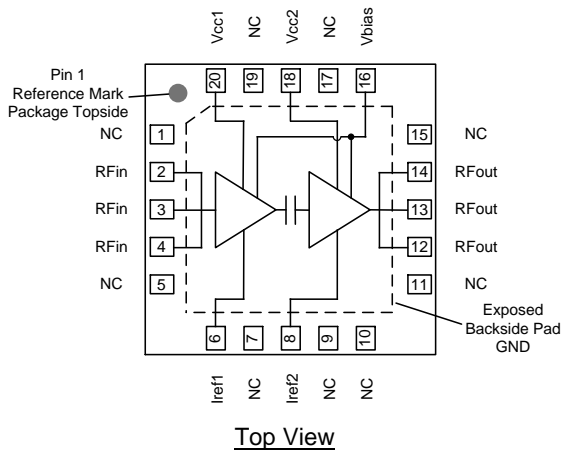
Product Features

- 1800 – 2700 MHz Frequency Range
- 27.2 dB Gain
- +42 dBm Output IP3
- +30.4 dBm P1dB
- +5 V supply, 216 mA Current
- Internal Input and Interstage Matching
- Bias Adjustable
- Power down functionality for TDD systems

Applications

- Wireless Infrastructure
- FDD / TDD Base Stations
- Repeaters, Boosters, DAS
- High Power Amplifiers

Functional Block Diagram



Ordering Information

Part No.	Description
TQP9113*	1800 – 2700 MHz Linear Amplifier
TQP9113-PCB2140	1800 – 2200 MHz Evaluation Board
TQP9113-PCB2600	2300 – 2700 MHz Evaluation Board

*Standard T/R size = 2,500 pieces on a 13" reel

Absolute Maximum Ratings

Parameter	Rating
Storage Temperature	-55 to 150 °C
Supply Voltage (V _{CC})	+6 V
RF Input Power, CW, 50 Ω, T=25 °C	+15 dBm

Operation of this device outside the parameter ranges given above may cause permanent damage.

Recommended Operating Conditions

Parameter	Min	Typ	Max	Units
Supply Voltage (V _{CC})	+4.75	+5.0	+5.25	V
T _{CASE}	-40		+105	°C
T _j for >10 ⁶ hours MTTF			+170	°C

Electrical specifications are measured at specified test conditions. Specifications are not guaranteed over all recommended operating conditions.

Electrical Specifications

Test conditions unless otherwise noted: V_{CC} = +5.0 V, Temp = +25 °C, in a matched 2140 MHz reference circuit.

Parameter	Conditions	Min	Typ	Max	Units
Operational Frequency Range		1800		2700	MHz
Test Frequency			2140		MHz
Gain		25	27.2	30	dB
Input Return Loss			14		dB
Output Return Loss			14		dB
Noise Figure			4.7		dB
Output P1dB		28.9	+30.4		dBm
Output IP3	P _{out} = +16 dBm/ tone, Δf = 1 MHz	38	+42		dBm
WCDMA Channel Power ⁽¹⁾	-50 dBc ACLR		+18.4		dBm
Current, I _{CC}	Pin 16, 18 and 20		212		mA
Current, I _{REF1}			1.2		mA
Current, I _{REF2}			2.2		mA
Total Current	on V _{CC} of EVB circuit		216	245	mA
Thermal Resistance, θ _{JC}	Junction to case			41.7	°C/W

Notes:

1. ACLR test set-up: 3GPP WCDMA, TM1+64 DPCH, +5 MHz offset, PAR = 10.2 dB at 0.01% Probability

Switching Time

Test Conditions: V_{PD} High = +5V, V_{PD} Low = 0V, V_{CC} = +5V, C10 = 1000pF on 2600MHz EVB, Temp = +25°C

Parameter	Conditions	Typical Value	Units
Switch-ON Time	50% of V _{PD} to 90% of RF output, Effective V _{PD} rise time 167ns	106	ns
Switch-OFF Time	50% of V _{PD} to 10% of RF output, Effective V _{PD} fall time 171ns	13	ns

Note: V_{PD} requires 100% of +5V to ensure the ON state performances

S-Parameters

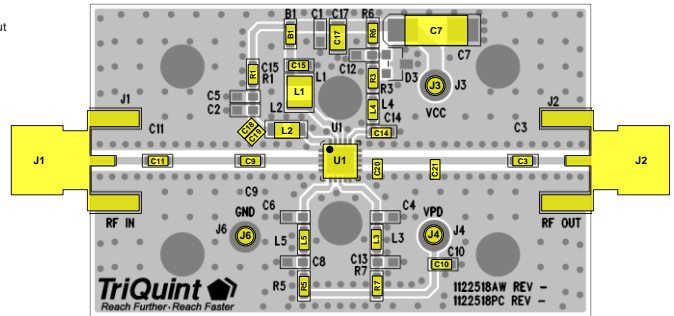
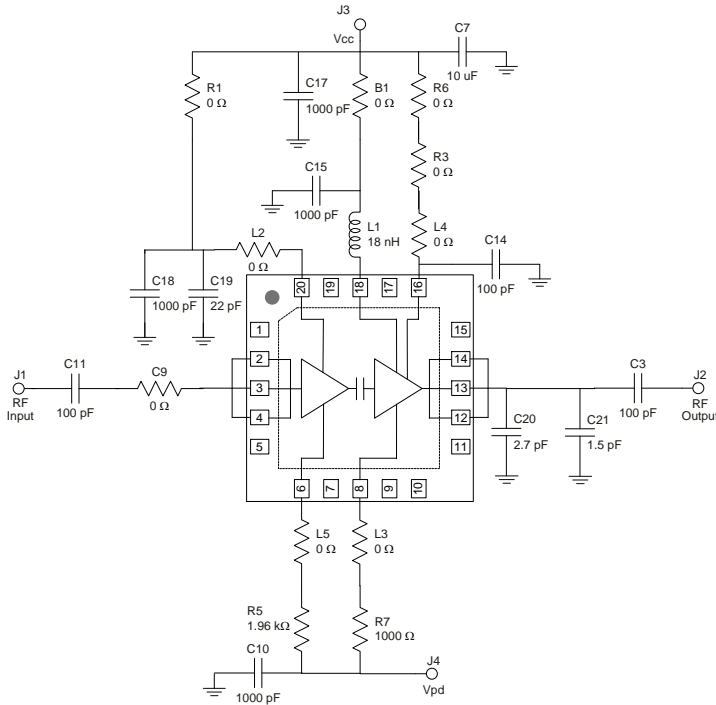
Test Conditions: $V_{CC} = V_{PD} = +5\text{ V}$, $I_{CQ} = 215\text{ mA}$, Temp. = $+25\text{ }^{\circ}\text{C}$, unmatched $50\text{ }\Omega$ system, calibrated to device leads

Freq (GHz)	S11 (dB)	S11 (ang)	S21 (dB)	S21 (ang)	S12 (dB)	S12 (ang)	S22 (dB)	S22 (ang)
0.1	-0.7	175	-59.9	-133	-64.4	-170	-2.6	-173
0.2	-0.7	171	-34.4	-150	-68.6	78	-2.1	-177
0.3	-0.8	166	-24.8	-147	-57.9	122	-1.9	-180
0.4	-0.8	160	-17.9	-151	-73.6	-80	-2.0	179
0.5	-1.0	156	-12.1	-159	-56.4	-49	-2.2	178
0.6	-1.0	149	-7.1	-164	-63.4	-43	-2.3	177
0.7	-1.1	143	-2.3	-173	-52.0	167	-2.5	175
0.8	-1.2	135	2.1	177	-50.7	62	-2.7	175
0.9	-1.3	126	6.3	165	-52.4	54	-3.2	173
1	-1.6	117	10.4	149	-61.0	53	-3.7	172
1.1	-2.0	104	14.3	127	-63.1	160	-4.3	172
1.2	-2.8	94	15.8	99	-60.3	97	-4.7	171
1.3	-3.2	79	18.6	95	-60.8	-144	-5.7	171
1.4	-4.9	60	22.4	69	-65.7	108	-6.3	178
1.5	-7.9	49	24.4	39	-55.5	137	-6.2	-177
1.6	-10.7	50	25.3	10	-50.3	124	-5.8	-175
1.7	-11.6	55	25.6	-15	-48.6	94	-5.3	-175
1.8	-11.7	50	25.8	-37	-51.8	86	-5.1	-175
1.9	-11.7	39	25.9	-57	-48.6	59	-5.2	-174
2	-12.1	22	26.0	-77	-48.6	54	-4.9	-174
2.1	-12.6	0	26.0	-97	-50.7	64	-4.8	-173
2.2	-13.1	-27	25.9	-118	-52.6	29	-4.5	-171
2.3	-13.0	-54	25.6	-138	-51.6	29	-3.8	-170
2.4	-12.4	-79	25.1	-158	-51.3	-12	-3.3	-170
2.5	-11.7	-95	24.3	-178	-56.0	-31	-2.7	-171
2.6	-11.2	-106	23.3	163	-60.6	7	-2.2	-171
2.7	-10.5	-113	22.1	144	-58.0	-113	-1.7	-174
2.8	-9.9	-115	20.7	126	-63.8	89	-1.5	-175
2.9	-9.1	-116	19.0	110	-53.0	138	-1.3	-176
3	-8.2	-117	17.2	94	-55.3	112	-1.3	-177
3.2	-6.8	-120	12.8	65	-50.9	88	-1.1	-178
3.4	-5.9	-116	3.6	54	-58.9	-133	-1.0	-179
3.6	-3.5	-117	7.8	82	-57.0	178	-1.6	179
3.8	-3.2	-123	6.7	51	-46.7	134	-2.3	-177
4	-3.3	-125	4.4	32	-49.3	154	-2.7	-176

Notes:

1. Pins 6, 8, 16, 18, 20 are loaded as shown in the PCB2140 design.

1.8 – 2.2 GHz Evaluation Board (TQP9113-PCB2140)



Notes:

1. See Evaluation Board PCB Information section for PCB material and stack-up
2. Components (C11 and C3) are blocking capacitors and their locations are not critical to the matching network.
3. All components are of 0603 size unless otherwise specified.
4. Critical component placement locations:
Distance from U1 Package (right edge) to C20 (left edge): 25 mils
Distance from U1 Package (right edge) to C21 (left edge): 310 mils

Bill of Material TQP9113-PCB2140

Ref Des	Value	Description	Manuf.	Part Number
U1		TQP9113	Qorvo	TQP9113
C10, C15, C18	1000 pF	CAP, 0603, 5%, 50V, NPO	various	
C3, C11, C14	100 pF	CAP, 0603, 5%, 50V, NPO	various	
C19	22 pF	CAP, 0603, 5PCT, 50V, NPO/COG	various	
C20	2.7 pF	CAP, 0603, +/-0.1PF, 50V, NPO/COG	various	
C21	1.5 pF	CAP, 0603, 5PCT, 50V, NPO/COG	various	
C7	10 uF	CAP, 6032, 20%, 50V, Tantalum	various	
R5	1.96 kΩ	RES, 0603, 1PCT, 1/16W	various	
R7	1000 Ω	RES, 0603, 1PCT, 1/16W	various	
B1, R1, R3, R6, L3, L4, L5, C9	0 Ω	RES, 0603, 1/16W, Chip	various	
L2	0 Ω	RES, 0805, 1/10W, Chip	various	
L1	18 nH	IND, 1008, 5%, Ceramic	various	
C17	1000pF	CAP, 0805, 5PCT, 50V, NPO	various	

Typical Performance TQP9113- PCB2140

Test conditions unless otherwise noted: $V_{CC} = +5\text{ V}$, $V_{pd} = +5\text{ V}$, $I_{CQ} = 215\text{ mA}$ (typ.), Temp. = $+25\text{ }^{\circ}\text{C}$

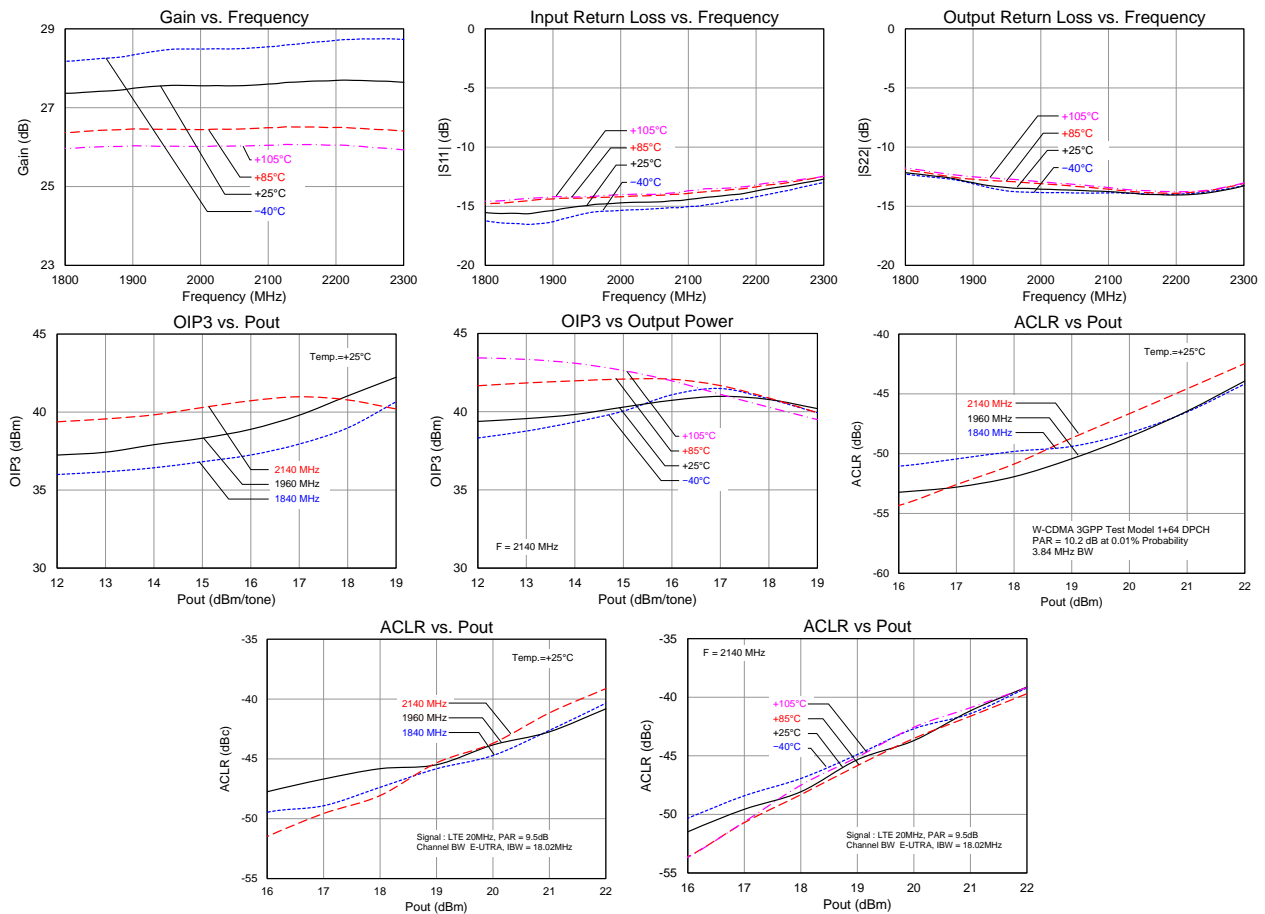
Parameter	Conditions	Typical Value			Units
Frequency		1840	1960	2140	MHz
Gain		27.4	27.6	27.6	dB
Input Return Loss		16	15	14	dB
Output Return Loss		12	13	14	dB
Output P1dB		+30.5	+30.6	+30.6	dBm
OIP3	Pout= +16 dBm/tone, $\Delta f=1\text{ MHz}$	+37	+39	+41	dBm
Noise Figure		5.2	4.9	4.7	dB
WCDMA Channel Power ⁽¹⁾	-50 dBc ACLR	+17.9	+19.3	+18.4	dBm

Notes:

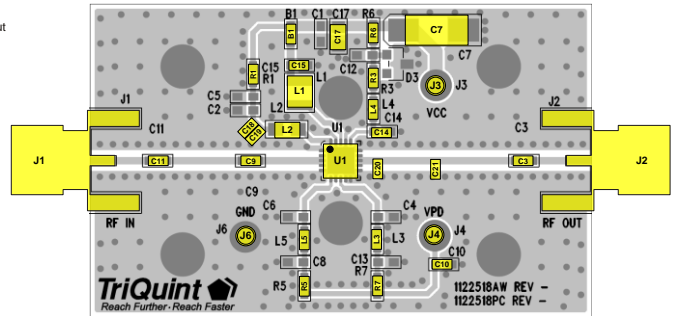
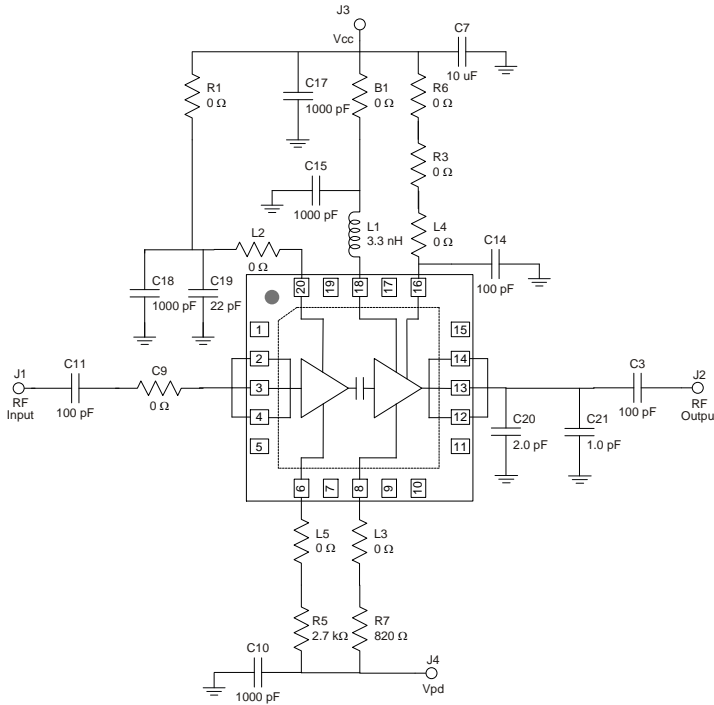
1. ACLR Test set-up: 3GPP WCDMA, TM1+64 DPCH, +5 MHz offset, PAR = 10.2 dB at 0.01% Probability

Typical Performance TQP9113-PCB2140

Test conditions unless otherwise noted: $V_{CC} = +5\text{ V}$, $I_{CQ} = 215\text{ mA}$ (typ.), Temp. = $+25\text{ }^{\circ}\text{C}$



2.3 – 2.7 GHz Evaluation Board (TQP9113-PCB2600)



Notes:

1. See Evaluation Board PCB Information section for PCB material and stack-up
2. Components (C11 and C3) are blocking capacitors and their locations are not critical to the matching network.
3. All components are of 0603 size unless otherwise specified.
4. Critical component placement locations:
Distance from U1 Package (right edge) to C20 (left edge): 25 mils
Distance from U1 Package (right edge) to C21 (left edge): 285 mils

Bill of Material TQP9113-PCB2600

Ref Des	Value	Description	Manuf.	Part Number
U1		TQP9113	Qorvo	TQP9113
C10, C15, C18	1000 pF	CAP, 0603, 5%, 50V, NPO	various	
C3, C11, C14	100 pF	CAP, 0603, 5%, 50V, NPO	various	
C19	22 pF	CAP, 0603, 5PCT, 50V, NPO/COG	various	
C20	2.0 pF	CAP, 0603, +/-0.1PF, 50V, NPO/COG	various	
C21	1.0 pF	CAP, 0603, 5PCT, 50V, NPO/COG	various	
C7	10 uF	CAP, 6032, 20%, 50V, Tantalum	various	
R5	2.7 kΩ	RES, 0603, 1PCT, 1/16W	various	
R7	820 Ω	RES, 0603, 1PCT, 1/16W	various	
B1, R1, R3, R6, L3, L4, L5, C9	0 Ω	RES, 0603, 1/16W, Chip	various	
L2	0 Ω	RES, 0805, 1/10W, Chip	various	
L1	3.3 nH	IND, 1008, 5%, Ceramic	various	
C17	1000pF	CAP, 0805, 5PCT, 50V, NPO	various	

Typical Performance TQP9113-PCB2600

Test conditions unless otherwise noted: $V_{CC} = +5\text{ V}$, $V_{pd} = +5\text{ V}$, $I_{CQ} = 250\text{ mA}$ (typ.), Temp. = +25 °C

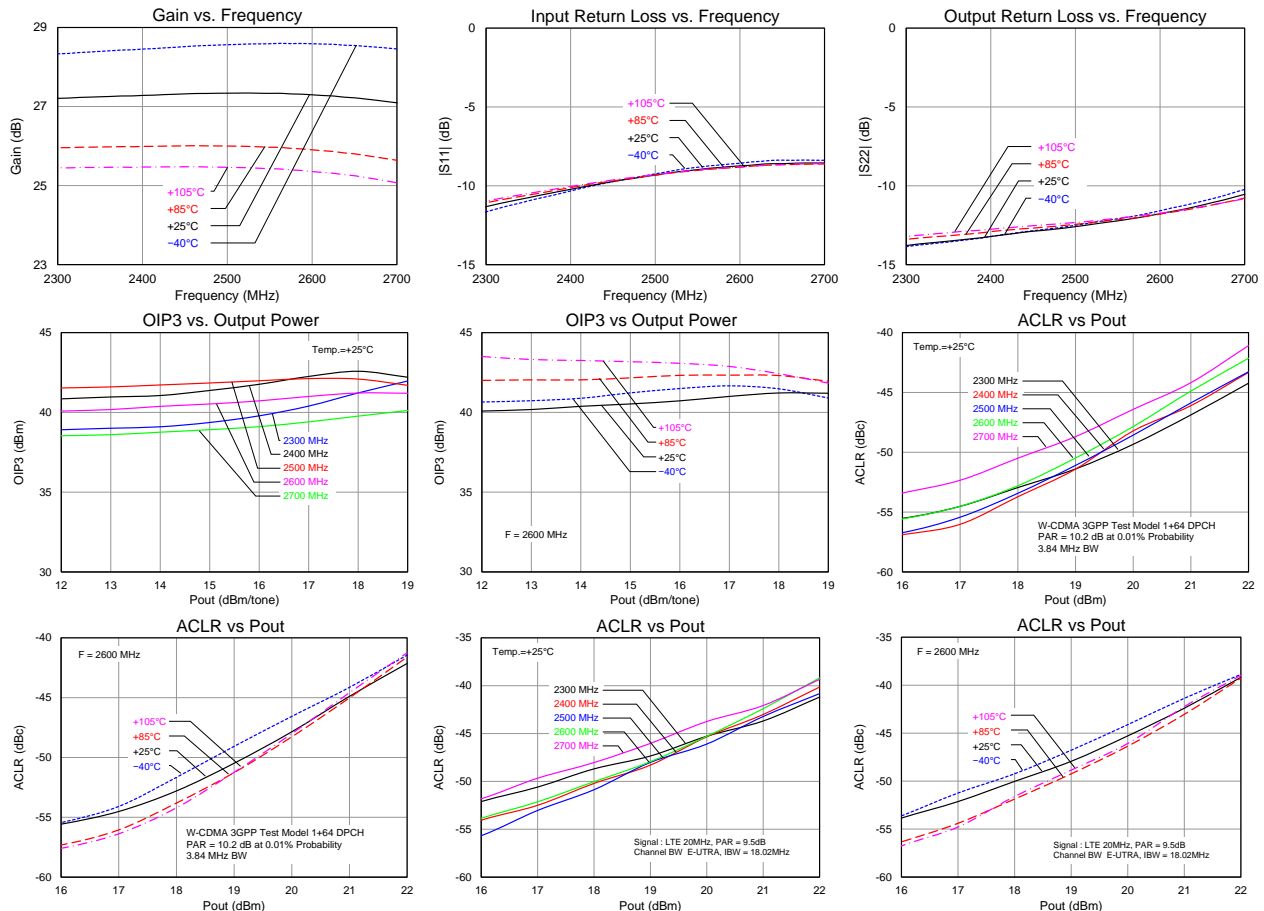
Parameter	Conditions	Typical Value			Units
		2300	2500	2700	
Frequency		2300	2500	2700	MHz
Gain		27.2	27.3	27.1	dB
Input Return Loss		11	9.3	8.6	dB
Output Return Loss		14	12	11	dB
Output P1dB		+30.8	+30.3	+29.8	dBm
OIP3	Pout= +16 dBm/tone, $\Delta f=1\text{ MHz}$	+39.8	+42.0	+39.1	dBm
Noise Figure		4.7	4.9	5.0	
WCDMA Channel Power ⁽¹⁾	-50 dBc ACLR	+19.7	+19.4	+18.3	dBm

Notes:

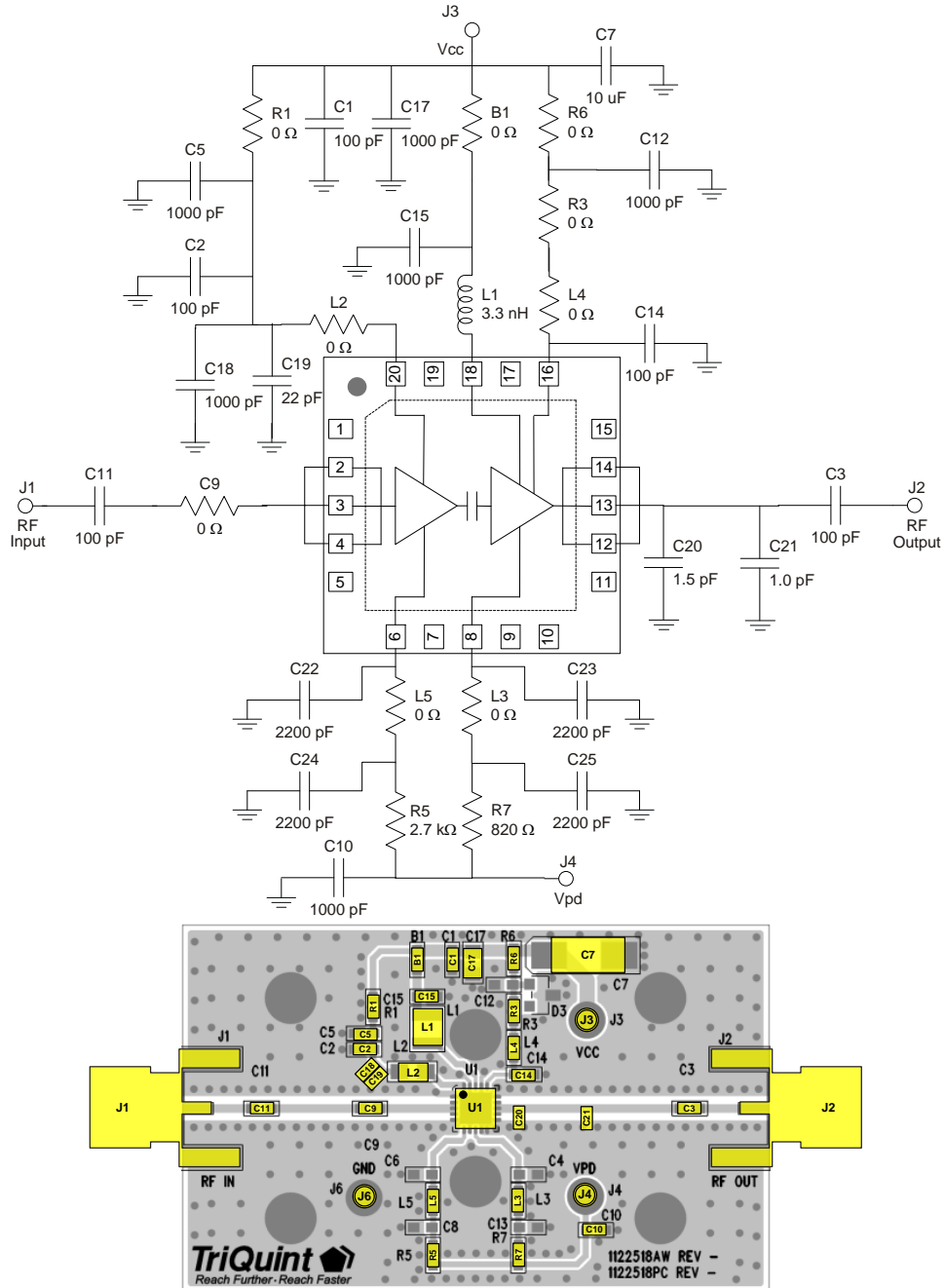
1. ACLR Test set-up: 3GPP WCDMA, TM1+64 DPCH, +5 MHz offset, PAR = 10.2 dB at 0.01% Probability

Typical Performance TQP9113-PCB2600

Test conditions unless otherwise noted: $V_{CC} = +5\text{ V}$, $I_{CQ} = 250\text{ mA}$ (typ.), Temp. = +25 °C



Application Circuit for Improved Intermodulation Distortion Balance



Notes:

1. See Evaluation Board PCB Information section for PCB material and stack-up
2. Components (C11 and C3) are blocking capacitors and their locations are not critical to the matching network.
3. All components are of 0603 size unless otherwise specified.
4. Critical component placement locations:
 Distance from U1 Package (right edge) to C20 (left edge): 25 mils
 Distance from U1 Package (right edge) to C21 (left edge): 285 mils

Typical Performance TQP9113 Improved IMD Balance

Test conditions unless otherwise noted: $V_{CC} = +5\text{ V}$, $V_{pd} = +5\text{ V}$, $I_{CQ} = 250\text{ mA}$ (typ.), $Temp. = +25\text{ }^{\circ}\text{C}$

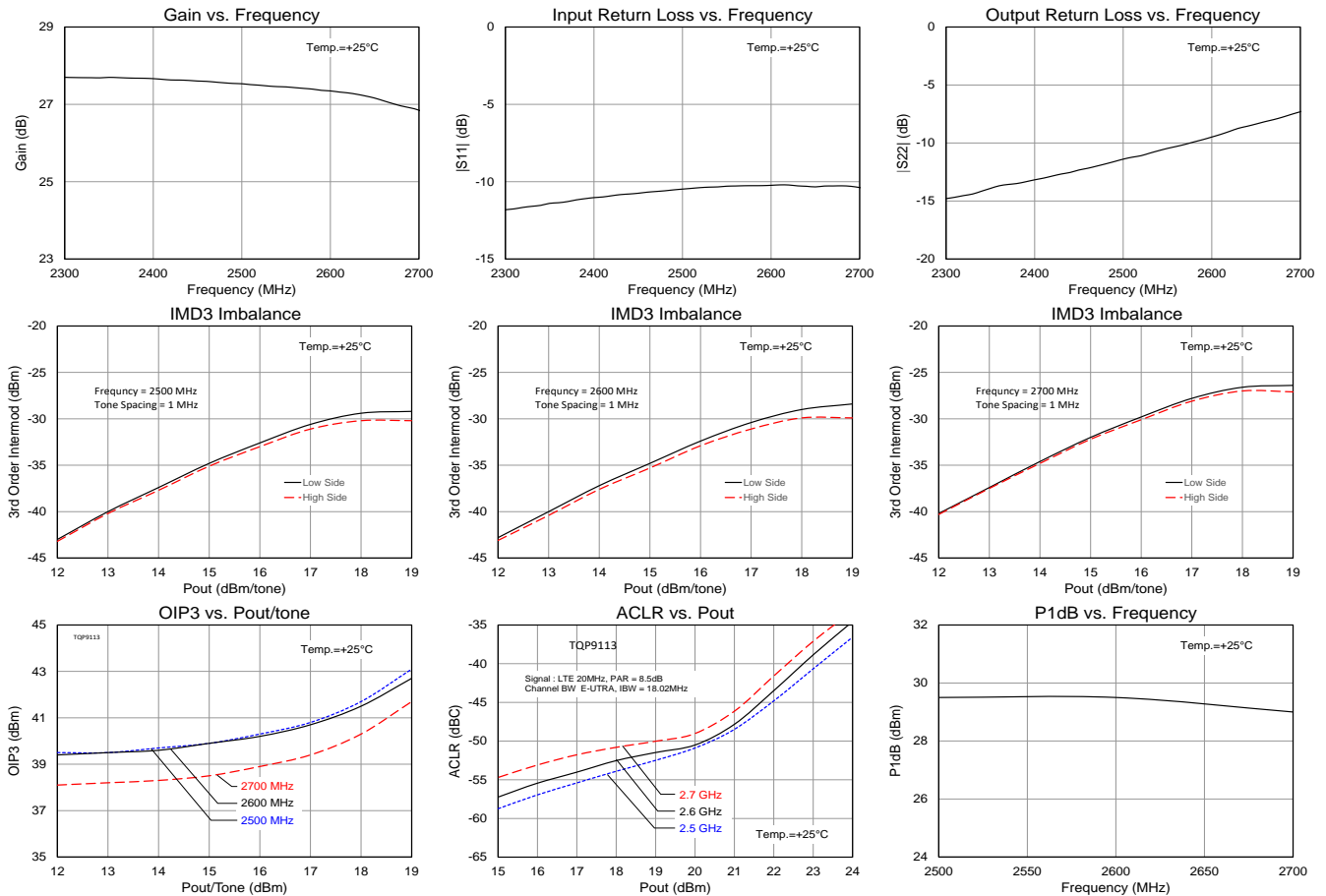
Parameter	Conditions	Typical Value			Units
Frequency		2500	2600	2700	MHz
Gain		27.7	27.4	26.9	dB
Input Return Loss		11	11	10	dB
Output Return Loss		15	12	7	dB
Output P1dB		+29.5	+29.5	+29.0	dBm
OIP3	$P_{out} = +19\text{ dBm/tone}$, $\Delta f = 1\text{ MHz}$	+43.0	+42.7	+41.7	dBm
Noise Figure		4.7	4.8	4.8	dB
WCDMA Channel Power ⁽¹⁾	-50 dBc ACLR	+20.5	+20.4	+19.0	dBm

Notes:

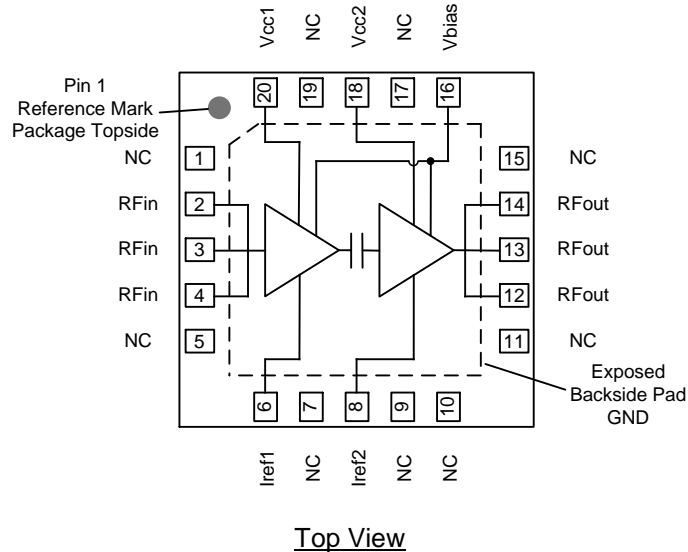
1. ACLR Test set-up: 20 MHz LTE, 1-CH, +20 MHz offset, PAR = 8.5 dB at 0.01% Probability

Typical Performance TQP9113 Improved IMD Balance

Test conditions unless otherwise noted: $V_{CC} = +5\text{ V}$, $I_{CQ} = 250\text{ mA}$ (typ.), $Temp. = +25\text{ }^{\circ}\text{C}$



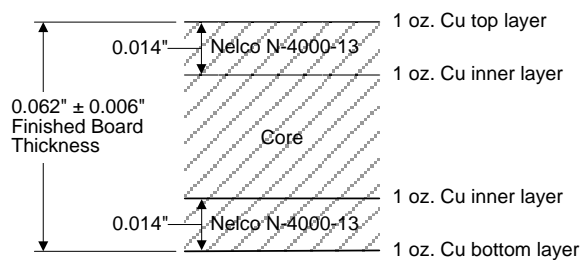
Pin Configuration and Description



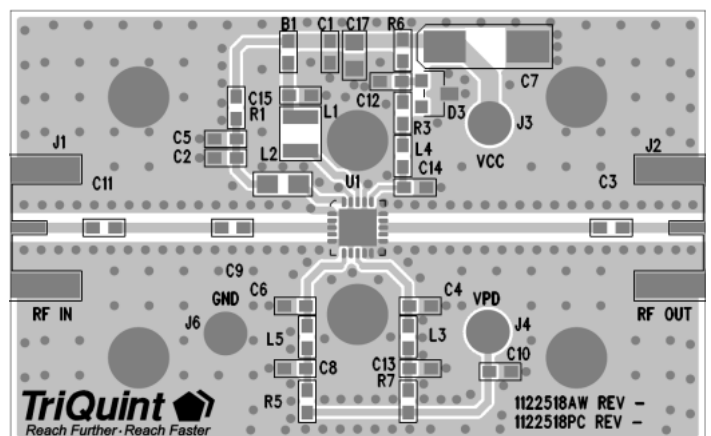
Pin No.	Label	Description
1, 5, 7, 9, 10, 11, 15, 17, 19	NC	No internal connection. Provide grounded land pads for PCB mounting integrity.
2, 3, 4	RF in	RF input pins. Requires only DC blocking cap for operation.
6	IREF1	Sets the bias current for Amp1. Also can be used to power down Amp 1.
8	IREF2	Sets the bias current for Amp2. Also can be used to power down Amp 2.
12, 13, 14	RF out	RF output pins. Require DC blocking and RF match for optimal performance.
16	VBIAS	Bias circuit supply voltage.
18	VCC2	2 nd Stage DC voltage supply connection.
20	VCC1	1 st Stage DC voltage supply connection.
Backside Pad	GND	RF/DC ground. Use recommended via pattern to minimize inductance and thermal resistance; see PCB Mounting Pattern for suggested footprint.

Evaluation Board PCB Information

PCB 1100415 Material and Stack-up

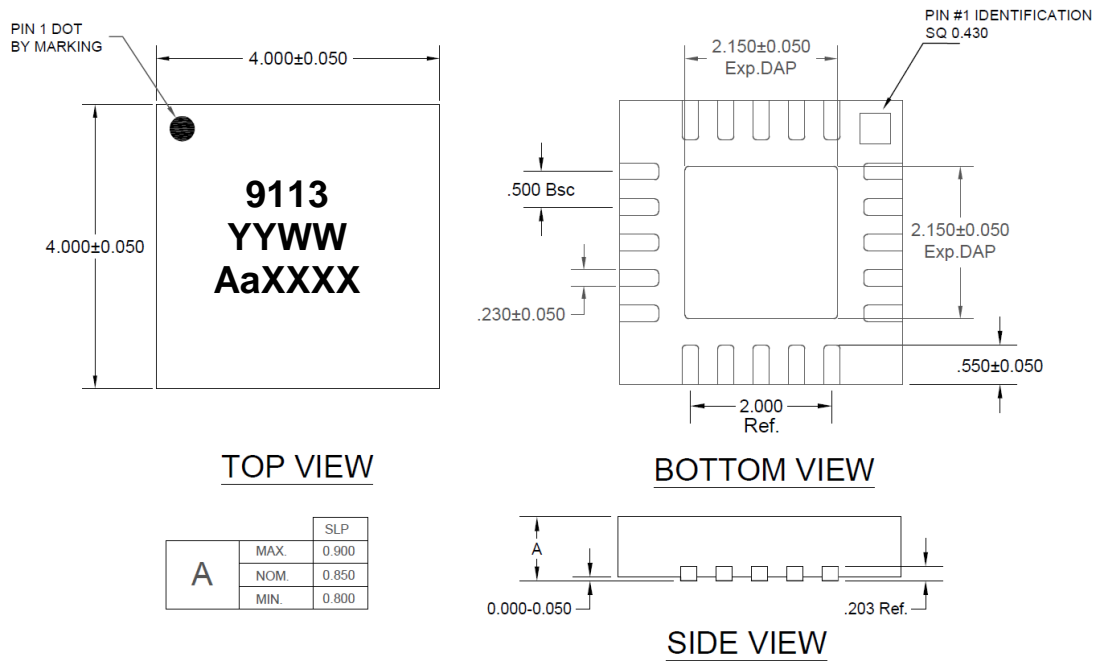


50 ohm line dimensions: width = .028"
spacing = .028".



Package Marking and Dimensions

Marking: Part number – 9113
 Date - YYWW
 Country Code - CCCC
 Lot code – AaXXXX

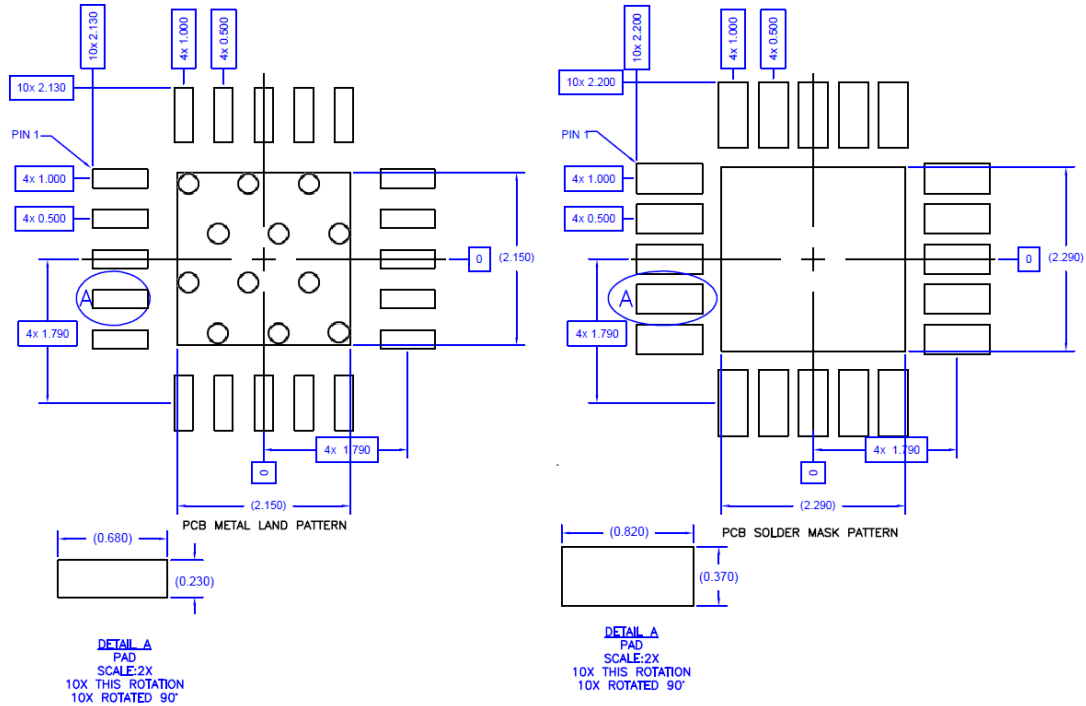


A	MAX.	0.900
	NOM.	0.850
	MIN.	0.800

Notes:

1. All dimensions are in millimeters. Angles are in degrees.
2. Dimension and tolerance formats conform to ASME Y14.4M-1994.
3. The terminal #1 identifier and terminal numbering conform to JESD 95-1 SPP-012.

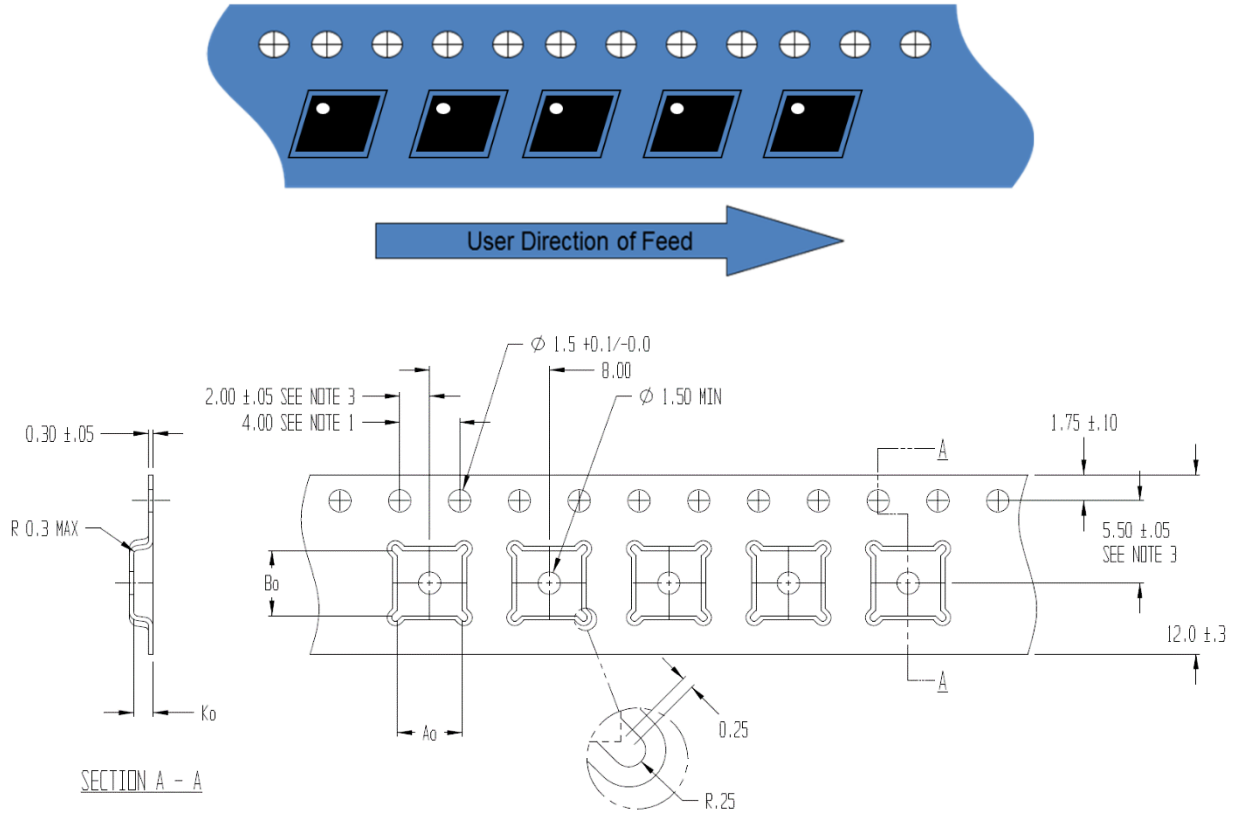
PCB Mounting Pattern



Notes:

1. All dimensions are in millimeters. Angles are in degrees.
2. Use 1 oz. copper minimum for top and bottom layer metal.
3. Via holes are required under the backside paddle of this device for proper RF/DC grounding and thermal dissipation. We recommend 12 holes in the pattern of vertical 0.64 mm (0.025") and horizontal 0.76 mm (0.030") spacings. And a 0.35mm (#80/.0135") diameter bit for drilling via holes and a final plated thru diameter of 0.25 mm (0.010").
4. Ensure good package backside paddle solder attach for reliable operation and best electrical performance.

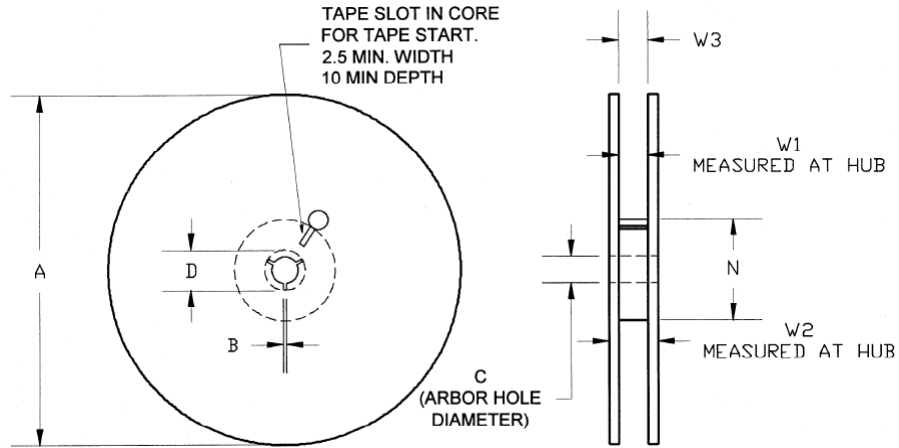
Tape and Reel Information – Carrier and Cover Tape Dimensions



Feature	Measure	Symbol	Size (in)	Size (mm)
Cavity	Length	A0	0.171	4.35
	Width	B0	0.171	4.35
	Depth	K0	0.051	1.30
	Pitch	P1	0.315	8.00
Centerline Distance	Cavity to Perforation - Length Direction	P2	0.079	2.00
	Cavity to Perforation - Width Direction	F	0.217	5.50
Cover Tape	Width	C	0.362	9.20
Carrier Tape	Width	W	0.472	12.0

Tape and Reel Information – Reel Dimensions

Standard T/R size = 2,500 pieces on a 13" reel.



Feature	Measure	Symbol	Size (in)	Size (mm)
Flange	Diameter	A	12.992	330.00
	Thickness	W2	0.717	18.20
	Space Between Flange	W1	0.504	12.80
Hub	Outer Diameter	N	4.016	102.00
	Arbor Hole Diameter	C	0.512	13.00
	Key Slit Width	B	0.079	2.00
	Key Slit Diameter	D	0.787	20.00

Handling Precautions

Parameter	Rating	Standard
ESD – Human Body Model (HBM)	Class 1C	ESDA / JEDEC JS-001-2012
ESD – Charged Device Model (CDM)	Class C3	JEDEC JESD22-C101F
MSL – Moisture Sensitivity Level	Level 1	IPC/JEDEC J-STD-020



Caution!
ESD-Sensitive Device

Solderability

Compatible with both lead-free (260°C max. reflow temp.) and tin/lead (245°C max. reflow temp.) soldering processes. Solder profiles available upon request.

Contact plating: Matte Sn

RoHS Compliance

This part is compliant with 2011/65/EU RoHS directive (Restrictions on the Use of Certain Hazardous Substances in Electrical and Electronic Equipment) as amended by Directive 2015/863/EU.

This product also has the following attributes:

- Halogen Free (Chlorine, Bromine)
- Antimony Free
- TBBP-A (C₁₅H₁₂Br₄O₂) Free
- PFOS Free
- SVHC Free

Contact Information

For the latest specifications, additional product information, worldwide sales and distribution locations:

Web: www.qorvo.com

Tel: 1-844-890-8163

Email: customer.support@qorvo.com

Important Notice

The information contained herein is believed to be reliable; however, Qorvo makes no warranties regarding the information contained herein and assumes no responsibility or liability whatsoever for the use of the information contained herein. All information contained herein is subject to change without notice. Customers should obtain and verify the latest relevant information before placing orders for Qorvo products. The information contained herein or any use of such information does not grant, explicitly or implicitly, to any party any patent rights, licenses, or any other intellectual property rights, whether with regard to such information itself or anything described by such information. **THIS INFORMATION DOES NOT CONSTITUTE A WARRANTY WITH RESPECT TO THE PRODUCTS DESCRIBED HEREIN, AND QORVO HEREBY DISCLAIMS ANY AND ALL WARRANTIES WITH RESPECT TO SUCH PRODUCTS WHETHER EXPRESS OR IMPLIED BY LAW, COURSE OF DEALING, COURSE OF PERFORMANCE, USAGE OF TRADE OR OTHERWISE, INCLUDING THE IMPLIED WARRANTIES OF MERCHANTABILITY AND FITNESS FOR A PARTICULAR PURPOSE.**

Without limiting the generality of the foregoing, Qorvo products are not warranted or authorized for use as critical components in medical, life-saving, or life-sustaining applications, or other applications where a failure would reasonably be expected to cause severe personal injury or death.

Copyright 2019 © Qorvo, Inc. | Qorvo is a registered trademark of Qorvo, Inc.

Данный компонент на территории Российской Федерации

Вы можете приобрести в компании MosChip.

Для оперативного оформления запроса Вам необходимо перейти по данной ссылке:

<http://moschip.ru/get-element>

Вы можете разместить у нас заказ для любого Вашего проекта, будь то серийное производство или разработка единичного прибора.

В нашем ассортименте представлены ведущие мировые производители активных и пассивных электронных компонентов.

Нашей специализацией является поставка электронной компонентной базы двойного назначения, продукции таких производителей как XILINX, Intel (ex.ALTERA), Vicor, Microchip, Texas Instruments, Analog Devices, Mini-Circuits, Amphenol, Glenair.

Сотрудничество с глобальными дистрибьюторами электронных компонентов, предоставляет возможность заказывать и получать с международных складов практически любой перечень компонентов в оптимальные для Вас сроки.

На всех этапах разработки и производства наши партнеры могут получить квалифицированную поддержку опытных инженеров.

Система менеджмента качества компании отвечает требованиям в соответствии с ГОСТ Р ИСО 9001, ГОСТ РВ 0015-002 и ЭС РД 009

Офис по работе с юридическими лицами:

105318, г.Москва, ул.Щербаковская д.3, офис 1107, 1118, ДЦ «Щербаковский»

Телефон: +7 495 668-12-70 (многоканальный)

Факс: +7 495 668-12-70 (доб.304)

E-mail: info@moschip.ru

Skype отдела продаж:

moschip.ru

moschip.ru_4

moschip.ru_6

moschip.ru_9