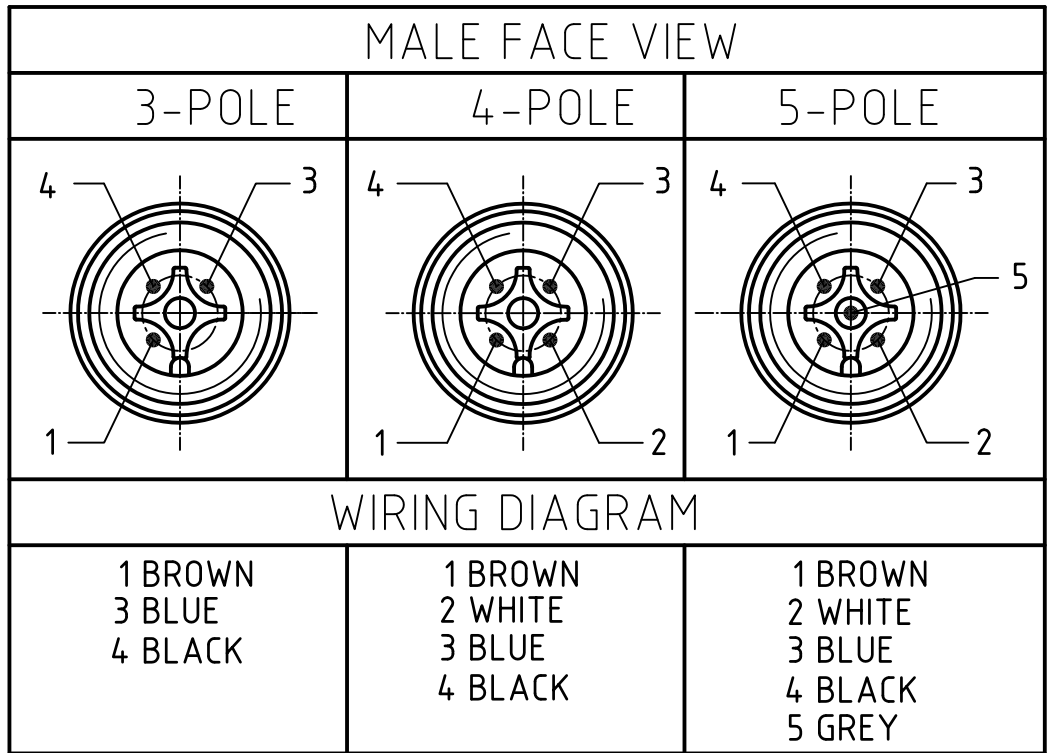


CONNECTOR SPECIFICATION:

| | |
|-----------------------|---------------------------------|
| VOLTAGE RATING | 250 VAC/VDC |
| AMPERAGE RATING | max. 4 AMPS |
| PROTECTION | IP67 |
| OPERATING TEMPERATURE | -20°C TO 105°C |
| UL CERTIFICATIONS | UL RECOGNIZED, FILE NO. E152210 |
| ASSEMBLY IS | RoHS COMPLIANT |



| ITEM | COMPONENT | MATERIAL | FINISH |
|------|--|--------------------|------------------|
| 6 | LABLE | MYLAR | BLACK/YELLOW |
| 5 | COUPLER | BRASS | NICKEL PLATED |
| 4 | PIN CONTACT | COPPER ALLOY | GOLD OVER NICKEL |
| 3 | INSERT | NYLON | BLACK |
| 2 | OVERMOLD | POLYURETHANE (PUR) | YELLOW |
| 1 | CABLE- 22/3-5 (COPPER STRANDING) 3/4/5 CONDUCT. 300V | JACKET: PVC | JACKET: YELLOW |

| | | | | |
|--|---|--|---|--|
| DESCRIPTION EC NO: WEU2010-0261 DRWN: LSTEMMLE 2010/01/13 CHKD: NS APPR: NSTAUDIG 2010/01/25 | QUALITY SYMBOLS ▽ = 0 ▽ = 0 | GENERAL TOLERANCES (UNLESS SPECIFIED) mm INCH 4 PLACES ± --- ± --- 3 PLACES ± --- ± --- 2 PLACES ± --- ± .01 1 PLACE ± 0.3 ± --- ANGULAR ± --- ° | DIMENSION STYLE MM DRAWN BY DATE CHECKED BY DATE RE 2010/01/21 APPROVED BY DATE NSTAUDIG 2010/01/25 | SCALE 2:1 DESIGN UNITS METRIC THIRD ANGLE PROJECTION |
| | DRAFT WHERE APPLICABLE MUST REMAIN WITHIN DIMENSIONS | | SEE TABLE SHEET 2 | MICRO-CHANGE CORDSET 3/4/5-POL MA STR SE 22/3-5 YELLOW PVC CABLE |
| | MATERIAL NO. | | DOCUMENT NO. SD-120065-028 | SHEET NO. 1 OF 1 |
| | THIS DRAWING CONTAINS INFORMATION THAT IS PROPRIETARY TO MOLEX INCORPORATED AND SHOULD NOT BE USED WITHOUT WRITTEN PERMISSION | | | |

| POL | MATERIAL NUMBER | ENGINEERING NUMBER | FINISHED LENGTH |
|-----|-----------------|--------------------|------------------------------|
| 3 | 1200650200 | 803006A09M020 | 6.56' +3.5" -0 [2.0M +89 -0] |

| POL | MATERIAL NUMBER | ENGINEERING NUMBER | FINISHED LENGTH |
|-----|-----------------|--------------------|----------------------------------|
| 4 | 1200650414 | 804006A09M020 | 6.56' +3.5" -0 [2.0M +89 -0] |
| 4 | 1200650418 | 804006A09M040 | 13.12' +6.5" -0 [4.0M +165 -0] |
| 4 | 1200650419 | 804006A09M050 | 16.40' +6.5" -0 [5.0M +165 -0] |
| 4 | 1200650421 | 804006A09M060 | 19.69' +6.5" -0 [6.0M +165 -0] |
| 4 | 1200650425 | 804006A09M100 | 32.81' +12.5" -0 [10.0M +318 -0] |

| POL | MATERIAL NUMBER | ENGINEERING NUMBER | FINISHED LENGTH |
|-----|-----------------|--------------------|----------------------------------|
| 5 | 1200650523 | 805006A09M020 | 6.56' +3.5" -0 [2.0M +89 -0] |
| 5 | 1200650526 | 805006A09M040 | 13.12' +6.5" -0 [4.0M +165 -0] |
| 5 | 1200650528 | 805006A09M050 | 16.40' +6.5" -0 [5.0M +165 -0] |
| 5 | 1200650531 | 805006A09M060 | 19.69' +6.5" -0 [6.0M +165 -0] |
| 5 | 1200650533 | 805006A09M100 | 32.81' +12.5" -0 [10.0M +318 -0] |

| DESCRIPTION EC NO: WEU2010-0261 DRWN: LSTEMMLE 2010/01/13 CHKD: NS APPR: NSTAUDIG 2010/01/25 | QUALITY SYMBOLS | GENERAL TOLERANCES (UNLESS SPECIFIED) | DIMENSION STYLE | SCALE | DESIGN UNITS | THIRD ANGLE PROJECTION | | | | | | | | | | | | | | | | | | |
|--|---------------------------------------|---|--|---|--------------|------------------------|------|------|----------|------|------|----------|------|------|---------|------|------|-----------------|--|--|----|-----|--------|--|
| | $\nabla = 0$ $\nabla \text{C} = 0$ | <table border="1"> <tr> <th></th> <th>mm</th> <th>INCH</th> </tr> <tr> <td>4 PLACES</td> <td>±---</td> <td>±---</td> </tr> <tr> <td>3 PLACES</td> <td>±---</td> <td>±---</td> </tr> <tr> <td>2 PLACES</td> <td>±---</td> <td>±.01</td> </tr> <tr> <td>1 PLACE</td> <td>±0.3</td> <td>±---</td> </tr> <tr> <td colspan="3">ANGULAR ± --- °</td> </tr> </table> | | mm | INCH | 4 PLACES | ±--- | ±--- | 3 PLACES | ±--- | ±--- | 2 PLACES | ±--- | ±.01 | 1 PLACE | ±0.3 | ±--- | ANGULAR ± --- ° | | | MM | 2:1 | METRIC | |
| | | mm | INCH | | | | | | | | | | | | | | | | | | | | | |
| | 4 PLACES | ±--- | ±--- | | | | | | | | | | | | | | | | | | | | | |
| 3 PLACES | ±--- | ±--- | | | | | | | | | | | | | | | | | | | | | | |
| 2 PLACES | ±--- | ±.01 | | | | | | | | | | | | | | | | | | | | | | |
| 1 PLACE | ±0.3 | ±--- | | | | | | | | | | | | | | | | | | | | | | |
| ANGULAR ± --- ° | | | | | | | | | | | | | | | | | | | | | | | | |
| REV | DESCRIPTION | DRAFT WHERE APPLICABLE MUST REMAIN WITHIN DIMENSIONS | DRAWN BY: _____ DATE: _____ CHECKED BY: RE DATE: 2010/01/21 APPROVED BY: NSTAUDIG DATE: 2010/01/25 | MICRO-CHANGE CORDSET 3/4/5-POL MA STR SE 22/3-5 YELLOW PVC CABLE | | | | | | | | | | | | | | | | | | | | |
| 1 | | | SEE TABLE | MOLEX INCORPORATED DOCUMENT NO. SD-120065-028 | | SHEET NO. 1 OF 1 | | | | | | | | | | | | | | | | | | |
| | | | SIZE A3 | THIS DRAWING CONTAINS INFORMATION THAT IS PROPRIETARY TO MOLEX INCORPORATED AND SHOULD NOT BE USED WITHOUT WRITTEN PERMISSION | | | | | | | | | | | | | | | | | | | | |

Данный компонент на территории Российской Федерации

Вы можете приобрести в компании MosChip.

Для оперативного оформления запроса Вам необходимо перейти по данной ссылке:

<http://moschip.ru/get-element>

Вы можете разместить у нас заказ для любого Вашего проекта, будь то серийное производство или разработка единичного прибора.

В нашем ассортименте представлены ведущие мировые производители активных и пассивных электронных компонентов.

Нашей специализацией является поставка электронной компонентной базы двойного назначения, продукции таких производителей как XILINX, Intel (ex.ALTERA), Vicor, Microchip, Texas Instruments, Analog Devices, Mini-Circuits, Amphenol, Glenair.

Сотрудничество с глобальными дистрибьюторами электронных компонентов, предоставляет возможность заказывать и получать с международных складов практически любой перечень компонентов в оптимальные для Вас сроки.

На всех этапах разработки и производства наши партнеры могут получить квалифицированную поддержку опытных инженеров.

Система менеджмента качества компании отвечает требованиям в соответствии с ГОСТ Р ИСО 9001, ГОСТ РВ 0015-002 и ЭС РД 009

Офис по работе с юридическими лицами:

105318, г.Москва, ул.Щербаковская д.3, офис 1107, 1118, ДЦ «Щербаковский»

Телефон: +7 495 668-12-70 (многоканальный)

Факс: +7 495 668-12-70 (доб.304)

E-mail: info@moschip.ru

Skype отдела продаж:

moschip.ru

moschip.ru_4

moschip.ru_6

moschip.ru_9