

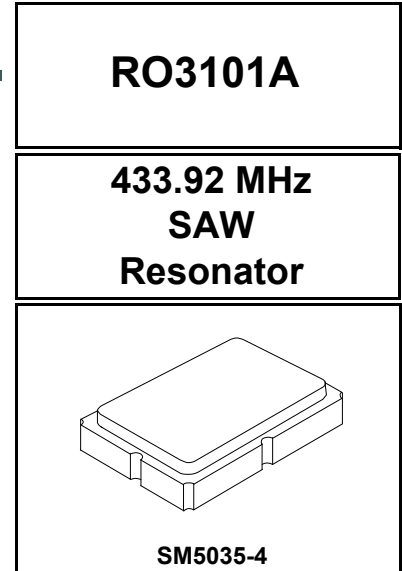
- **Designed for 433.92 MHz Transmitters**
- **Very Low Series Resistance**
- **Quartz Stability**
- **Surface-mount Ceramic Case**
- **Complies with Directive 2002/95/EC (RoHS)**



The RO3101A is a one-port surface-acoustic-wave (SAW) resonator packaged in a surface-mount ceramic case. It provides reliable, fundamental-mode quartz frequency stabilization of fixed-frequency transmitters operating at 433.92 MHz. The RO3101A is designed specifically for remote control and wireless security transmitters operating in Europe under ETSI EN 300 220-2.

Absolute Maximum Ratings

Rating	Value	Units
CW RF Power Dissipation (See: Typical Test Circuit)	+0	dBm
DC Voltage Between Terminals (Observe ESD Precautions)	±30	VDC
Case Temperature	-40 to +85	°C
Soldering Temperature (10 seconds / 5 cycles maximum)	260	°C



Electrical Characteristics

Characteristic		Sym	Notes	Minimum	Typical	Maximum	Units				
Center Frequency, +25 °C	Absolute Frequency	f_C	2,3,4,5	433.845		433.995	MHz				
	Tolerance from 433.920 MHz	Δf_C							±75	kHz	
Insertion Loss		IL	2,5,6		1.5	2.2	dB				
Quality Factor	Unloaded Q	Q_U	5,6,7		9000						
	50 Ω Loaded Q	Q_L							1458		
Temperature Stability	Turnover Temperature	T_O	6,7,8	10	25	40	°C				
	Turnover Frequency	f_O							f_C		
	Frequency Temperature Coefficient	FTC							0.032		ppm/°C ²
Frequency Aging	Absolute Value during the First Year	$ f_A $	1		≤10		ppm/yr				
DC Insulation Resistance between Any Two Terminals			5	1.0			MΩ				
RF Equivalent RLC Model	Motional Resistance	R_M	5, 7, 9		19.4		Ω				
	Motional Inductance	L_M							63.8		μH
	Motional Capacitance	C_M							2.11		fF
	Shunt Static Capacitance	C_O						5, 6, 9	2.4		pF
Test Fixture Shunt Inductance		L_{TEST}	2, 7		55.1		nH				
Lid Symbolization (in addition to Lot and/or Date Codes)	655 // YYWWSS										

CAUTION: Electrostatic Sensitive Device. Observe precautions for handling.

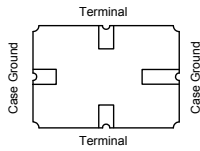


NOTES:

1. Frequency aging is the change in f_C with time and is specified at +65 °C or less. Aging may exceed the specification for prolonged temperatures above +65 °C. Typically, aging is greatest the first year after manufacture, decreasing in subsequent years.
2. The center frequency, f_C , is measured at the minimum insertion loss point, IL_{MIN} , with the resonator in the 50 Ω test system (VSWR ≤ 1.2:1). The shunt inductance, L_{TEST} , is tuned for parallel resonance with C_O at f_C . Typically, $f_{OSCILLATOR}$ or $f_{TRANSMITTER}$ is approximately equal to the resonator f_C .
3. One or more of the following United States patents apply: 4,454,488 and 4,616,197.
4. Typically, equipment utilizing this device requires emissions testing and government approval, which is the responsibility of the equipment manufacturer.
5. Unless noted otherwise, case temperature $T_C = +25 \pm 2$ °C.
6. The design, manufacturing process, and specifications of this device are subject to change without notice.
7. Derived mathematically from one or more of the following directly measured parameters: f_C , IL, 3 dB bandwidth, f_C versus T_C , and C_O .
8. Turnover temperature, T_O , is the temperature of maximum (or turnover) frequency, f_O . The nominal frequency at any case temperature, T_C , may be calculated from: $f = f_O [1 - FTC (T_O - T_C)^2]$. Typically *oscillator* T_O is approximately equal to the specified *resonator* T_O .
9. This equivalent RLC model approximates resonator performance near the resonant frequency and is provided for reference only. The capacitance C_O is the static (nonmotional) capacitance between the two terminals measured at low frequency (10 MHz) with a capacitance meter. The measurement includes parasitic capacitance with "NC" pads unconnected. Case parasitic capacitance is approximately 0.05 pF. Transducer parallel capacitance can be calculated as: $C_P \approx C_O - 0.05$ pF.
10. Tape and Reel standard per ANSI / EIA 481.

Electrical Connections

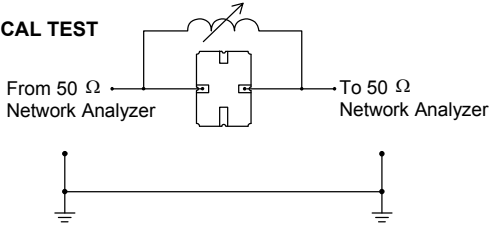
The SAW resonator is bidirectional and may be installed with either orientation. The two terminals are interchangeable and unnumbered. The callout NC indicates no internal connection. The NC pads assist with mechanical positioning and stability. External grounding of the NC pads is recommended to help reduce parasitic capacitance in the circuit.



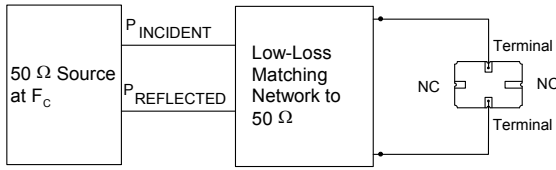
Typical Test Circuit

The test circuit inductor, L_{TEST} , is tuned to resonate with the static capacitance, C_O , at F_C .

ELECTRICAL TEST



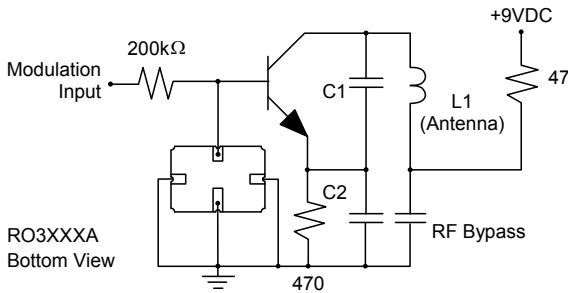
POWER TEST



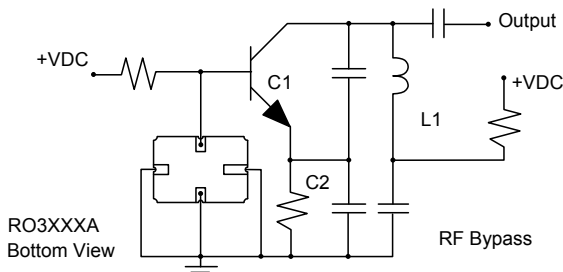
$$CW \text{ RF Power Dissipation} = P_{INCIDENT} - P_{REFLECTED}$$

Typical Application Circuits

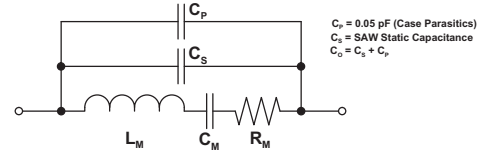
Typical Low-Power Transmitter Application



Typical Local Oscillator Applications



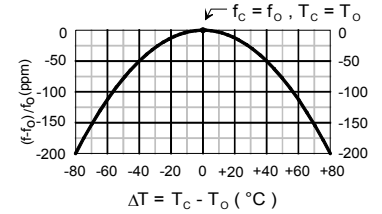
Equivalent RLC Model



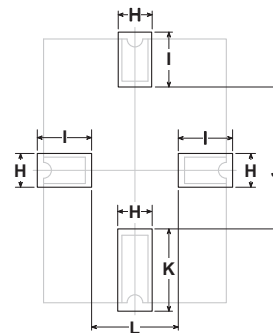
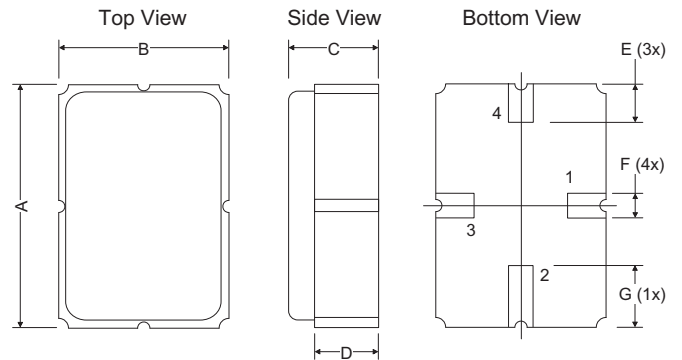
$C_P = 0.05 \text{ pF}$ (Case Parasitics)
 $C_S = \text{SAW Static Capacitance}$
 $C_O = C_P + C_S$

Temperature Characteristics

The curve shown on the right accounts for resonator contribution only and does not include LC component temperature contributions.



Case



PCB Land Pattern Top View

Dimensions	Millimeters			Inches		
	Min	Nom	Max	Min	Nom	Max
A	4.87	5.00	5.13	0.191	0.196	0.201
B	3.37	3.50	3.63	0.132	0.137	0.142
C	1.45	1.53	1.60	0.057	0.060	0.062
D	1.35	1.43	1.50	0.040	0.057	0.059
E	0.67	0.80	0.93	0.026	0.031	0.036
F	0.37	0.50	0.63	0.014	0.019	0.024
G	1.07	1.20	1.33	0.042	0.047	0.052
H	-	1.04	-	-	0.041	-
I	-	1.46	-	-	0.058	-
J	-	3.01	-	-	0.119	-
K	-	1.44	-	-	0.057	-
L	-	1.92	-	-	0.076	-

Данный компонент на территории Российской Федерации

Вы можете приобрести в компании MosChip.

Для оперативного оформления запроса Вам необходимо перейти по данной ссылке:

<http://moschip.ru/get-element>

Вы можете разместить у нас заказ для любого Вашего проекта, будь то серийное производство или разработка единичного прибора.

В нашем ассортименте представлены ведущие мировые производители активных и пассивных электронных компонентов.

Нашей специализацией является поставка электронной компонентной базы двойного назначения, продукции таких производителей как XILINX, Intel (ex.ALTERA), Vicor, Microchip, Texas Instruments, Analog Devices, Mini-Circuits, Amphenol, Glenair.

Сотрудничество с глобальными дистрибьюторами электронных компонентов, предоставляет возможность заказывать и получать с международных складов практически любой перечень компонентов в оптимальные для Вас сроки.

На всех этапах разработки и производства наши партнеры могут получить квалифицированную поддержку опытных инженеров.

Система менеджмента качества компании отвечает требованиям в соответствии с ГОСТ Р ИСО 9001, ГОСТ РВ 0015-002 и ЭС РД 009

Офис по работе с юридическими лицами:

105318, г.Москва, ул.Щербаковская д.3, офис 1107, 1118, ДЦ «Щербаковский»

Телефон: +7 495 668-12-70 (многоканальный)

Факс: +7 495 668-12-70 (доб.304)

E-mail: info@moschip.ru

Skype отдела продаж:

moschip.ru

moschip.ru_4

moschip.ru_6

moschip.ru_9