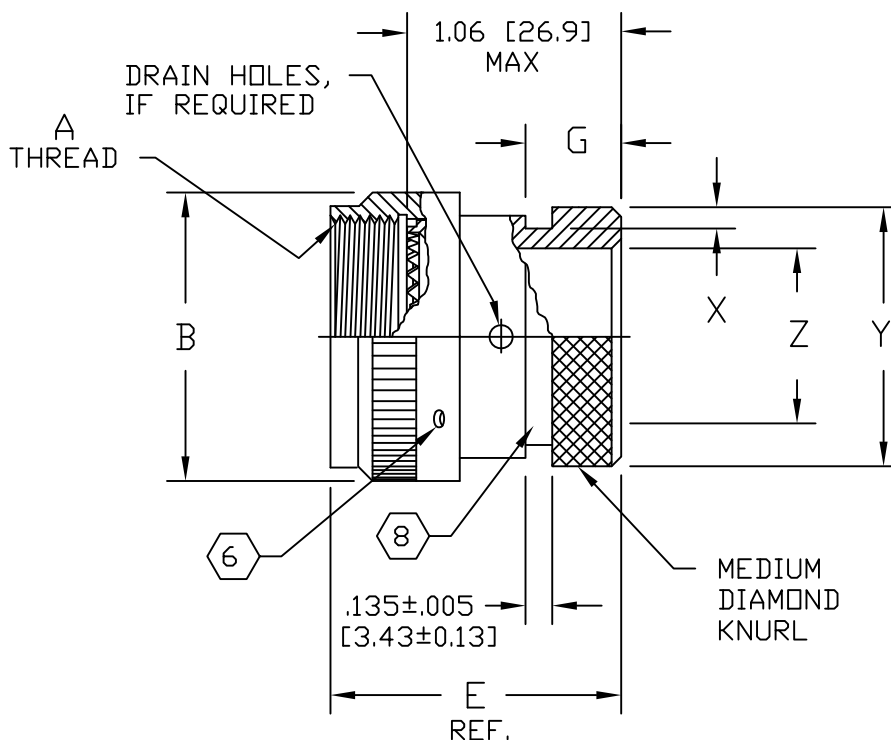


| REVISIONS | | | |
|-----------|-----------------------------|---------|----------|
| LTR | DESCRIPTION | DATE | APPROVED |
| J | REVISED PER ECN AD93014 | | |
| J1 | REVISED PER ECN 0-12-011625 | 6/21/12 | K. YEE |

If this document is printed it becomes uncontrolled. Check for the latest revision




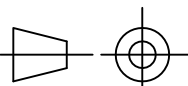
NOTES:

- THIS PRODUCT IS DESIGNED TO TERMINATE A HEAT SHRINKABLE LIPPED BOOT TO A CONNECTOR.
- FOR ADDITIONAL DIMENSIONS, ORDERING INFORMATION AND MODIFICATIONS, SEE CH00-0250-004.
- ADAPTER TO BE PERMANENTLY MARKED WITH CODE IDENT. NO. AND PART NO. (E.G.: 06090-201M112-19A).
- ADAPTER MATES TO MIL-C-81703, SERIES III, MS3424, MS3446, MS3464, MS3467, MS3468, CLASS E & L.
- ADAPTER MATES TO MIL-C-5015G, MS3400 SERIES, CLASS D, E, K, L, U & W; MS3400, MS3401, MS3404, MS3406, MS3450, MS3451, MS3454, MS3456, MS3470, MS3471, MS3472, MS3474, MS3475, MS3476. MIL-C-83723, SERIES II, CLASS A & L. MIL-C-83723, SERIES I & III, CLASS A, G, K, R & S; M83723/1, /2, /3, /4, /5, /6, /7, /8, /13, /14, /36, /37, /38, /39, /40, /41, /42, /43, /48, /49, /65, /66, /67, /68, /69, /70, /71, /72, /73, /74, /75, /76, /77, /78, /82, /83, /84, /85, /86, /87, /91, /92, /95, /97, /98, (MS3155 CONTROLLED INTERFACE).
- WHEN "L" MODIFICATION IS SPECIFIED, COUPLING NUT SHALL HAVE 3 LOCK WIRE HOLES, 120° APART. 120° APART.
- THIS PRODUCT IS A FUNCTIONAL EQUIVALENT OF MIL-C-85049/60-1.
- KNURL INSIDE BOOT GROOVE MAY BE SUPPLIED AT MANUFACTURER'S OPTION.

Raychem Adapters

CUSTOMER DRAWING

©2012 Tyco Electronics Corporation. All rights reserved.

| | | | | | | |
|---|--|------------------|---|--------------------------|---------------------|-----------|
| UNLESS OTHERWISE SPECIFIED DIMENSIONS ARE IN INCHES. METRIC DIMENSIONS ARE IN BRACKETS. | DRAWN R. RAMIREZ | DATE 03-18-93 |  TE Connectivity | | | |
| | CHECKED | DATE | | | | |
| DIMENSIONING AND TOLERANCING PER ASME Y14.5M (ISO STANDARDS) | APPROVED W. C. GAY | DATE 05-19-93 | TITLE ADAPTER, SPIN COUPLING CODE 54 | | | |
| | APPROVED | DATE | | | | |
| DECIMALS .XXX ± [mm] .XX ± [mm] .X ± [mm] ANGLES .X ± | CAD NAME 201M1XX_J1.dwg | | SIZE A | CODE IDENT. NO. 06090 | DWG. NO. 201M1XX | REV J1 |
| | THIRD ANGLE PROJECTION  | | DO NOT SCALE THIS DWG | | SHEET 1 OF 2 | |

| BASE PART NO. | SHELL SIZE | | A THREAD CLASS 2B | B MAX DIA | Y +.000 -.020 [+0.00] [-0.51] DIA | X +.008 -.000 [+0.20] [-0.00] DIM | E REF. DIM | Z MIN DIA | G MAX DIM |
|---------------------|------------|-------------------|-------------------------|------------------|--|--|------------------|------------------|-----------------|
| | 4 | 5 | | | | | | | |
| 201M103 | 3 | | .562-24 UNEF | .669 [16.99] | .533 [13.54] | .044 [1.12] | 1.125 [28.58] | .250 [6.35] | .425 [10.80] |
| 201M108 | | 8 & 8S | .500-20 UNF | .617 [15.67] | .533 [13.54] | ↑ | ↑ | .250 [6.35] | ↑ |
| 201M110 | | 10, 10S & 10SL | .625-24 UNEF | .734 [18.64] | .605 [15.37] | ↑ | ↑ | .355 [9.02] | ↑ |
| 201M112 | 7 | 12 & 12S | .750-20 UNEF | .858 [21.79] | .774 [19.66] | ↑ | ↑ | .491 [12.47] | ↑ |
| 201M114 | 12 | 14 & 14S | .875-20 UNEF | .984 [24.99] | .838 [21.29] | ↑ | ↑ | .565 [14.35] | ↑ |
| 201M116 | 19 | 16 & 16S | 1.000-20 UNEF | 1.112 [28.24] | .963 [24.46] | ↓ | ↑ | .690 [17.53] | ↑ |
| 201M118 | 27 | 18 | 1.062-18 UNEF | 1.218 [30.94] | 1.042 [26.47] | .044 [1.12] | ↑ | .769 [19.53] | ↑ |
| 201M120 | 37 | 20 | 1.188-18 UNEF | 1.345 [34.16] | 1.217 [30.91] | .069 [1.75] | ↑ | .894 [22.71] | ↑ |
| 201M122 | | 22 | 1.312-18 UNEF | 1.468 [37.29] | 1.355 [34.42] | ↑ | ↓ | 1.019 [25.88] | ↑ |
| 201M124 | | 24 | 1.438-18 UNEF | 1.593 [40.46] | 1.443 [36.65] | ↓ | 1.125 [28.58] | 1.134 [28.80] | ↓ |
| 201M128 | | 28 | 1.750-18 UNS | 1.969 [50.01] | 1.709 [43.41] | .069 [1.75] | 1.287 [32.69] | 1.369 [34.77] | .425 [10.80] |
| 201M132 | | 32 | 2.000-18 UNS | 2.219 [56.36] | 1.919 [48.74] | .086 [2.18] | 1.449 [36.80] | 1.615 [41.02] | .587 [14.91] |
| 201M136 | | 36 | 2.250-16 UN | 2.469 [62.71] | 2.169 [55.09] | ↑ | ↑ | 1.830 [46.48] | ↑ |
| 201M140 | | 40 | 2.500-16 UN | 2.719 [69.06] | 2.402 [61.01] | ↑ | ↑ | 2.045 [51.94] | ↑ |
| 201M144 | | 44 | 2.750-16 UN | 2.969 [75.41] | 2.657 [67.49] | ↓ | ↓ | 2.300 [58.42] | ↓ |
| 201M148 | | 48 | 3.000-16 UN | 3.219 [81.76] | 2.907 [73.84] | .086 [2.18] | 1.449 [36.80] | 2.550 [64.77] | .587 [14.91] |
| 201M161 | 61 | | 1.500-18 UNEF | 1.653 [41.99] | 1.443 [36.65] | .069 [1.75] | 1.125 [28.58] | 1.174 [29.82] | .425 [10.80] |

Raychem Adapters
CUSTOMER DRAWING

If this document is printed it becomes uncontrolled. Check for the latest revision

| | | | |
|-----------------------|-------------------------|----------|------|
| SIZE | CODE IDENT. NO. | DWG. NO. | REV |
| A | 06090 | 201M1XX | J1 |
| DO NOT SCALE THIS DWG | CAD NAME 201M1XX_J1.dwg | SHEET 2 | OF 2 |

Данный компонент на территории Российской Федерации

Вы можете приобрести в компании MosChip.

Для оперативного оформления запроса Вам необходимо перейти по данной ссылке:

<http://moschip.ru/get-element>

Вы можете разместить у нас заказ для любого Вашего проекта, будь то серийное производство или разработка единичного прибора.

В нашем ассортименте представлены ведущие мировые производители активных и пассивных электронных компонентов.

Нашей специализацией является поставка электронной компонентной базы двойного назначения, продукции таких производителей как XILINX, Intel (ex.ALTERA), Vicor, Microchip, Texas Instruments, Analog Devices, Mini-Circuits, Amphenol, Glenair.

Сотрудничество с глобальными дистрибьюторами электронных компонентов, предоставляет возможность заказывать и получать с международных складов практически любой перечень компонентов в оптимальные для Вас сроки.

На всех этапах разработки и производства наши партнеры могут получить квалифицированную поддержку опытных инженеров.

Система менеджмента качества компании отвечает требованиям в соответствии с ГОСТ Р ИСО 9001, ГОСТ РВ 0015-002 и ЭС РД 009

Офис по работе с юридическими лицами:

105318, г.Москва, ул.Щербаковская д.3, офис 1107, 1118, ДЦ «Щербаковский»

Телефон: +7 495 668-12-70 (многоканальный)

Факс: +7 495 668-12-70 (доб.304)

E-mail: info@moschip.ru

Skype отдела продаж:

moschip.ru

moschip.ru_4

moschip.ru_6

moschip.ru_9