

THIS DRAWING IS UNPUBLISHED. RELEASED FOR PUBLICATION AUG ,2006.
 © COPYRIGHT BY TYCO ELECTRONICS CORPORATION. ALL RIGHTS RESERVED.

| LOC | DIST | REVISIONS | | | | | |
|-----|------|-----------|-----|---------------------------|---------|-----|------|
| DW | | P | LTR | DESCRIPTION | DATE | DWN | APVD |
| | | G | | REVISED PER ECR-16-003830 | 14MAR16 | FL | SY |

| WEIGHT(g) | PCI-E COMPLIANCE | HOUSING MATERIAL | DIM. L | DIM. E | DIM. D | DIM. C | DIM. B | DIM. A | POS. | HOUSING COLOR | MIN. GOLD THICKNESS | PART NUMBER |
|-----------|------------------|------------------|-------------|--------|-------------|-------------|--------|--------|------|---------------|---------------------|-------------|
| 8.7 | GEN II & GEN III | PA9T | 2.30 | 71.35 | 70 | 73.15 | 89 | 71.65 | 164 | BLACK | 15u" | 4-1734774-8 |
| 5.45 | | | | | | | | | | WHITE | G/F | 4-1734774-7 |
| 3.85 | | | | BLACK | 15u" | 4-1734774-6 | | | | | | |
| 2.55 | | | | WHITE | G/F | 4-1734774-5 | | | | | | |
| 8.7 | | | | BLACK | 15u" | 4-1734774-4 | | | | | | |
| | | | | WHITE | G/F | 4-1734774-3 | | | | | | |
| | | | | BLACK | 15u" | 4-1734774-2 | | | | | | |
| | | | | WHITE | G/F | 4-1734774-1 | | | | | | |
| 5.45 | | | | BLACK | 15u" | 3-1734774-6 | | | | | | |
| | | | | WHITE | G/F | 3-1734774-5 | | | | | | |
| | | | | BLACK | 15u" | 3-1734774-4 | | | | | | |
| | | | | WHITE | G/F | 3-1734774-3 | | | | | | |
| 3.85 | | | BLACK | 15u" | 3-1734774-2 | | | | | | | |
| | | | WHITE | G/F | 3-1734774-1 | | | | | | | |
| | | | BLACK | 15u" | 3-1734774-0 | | | | | | | |
| | | | WHITE | G/F | 2-1734774-9 | | | | | | | |
| 2.55 | | | BLACK | 15u" | 2-1734774-8 | | | | | | | |
| | | | WHITE | G/F | 2-1734774-7 | | | | | | | |
| | | | BLACK | 15u" | 2-1734774-6 | | | | | | | |
| | | | WHITE | G/F | 2-1734774-5 | | | | | | | |
| 3.10 | | | BLACK | 15u" | 2-1734774-4 | | | | | | | |
| | | | WHITE | G/F | 2-1734774-3 | | | | | | | |
| | | | BLACK | 15u" | 2-1734774-2 | | | | | | | |
| | | | WHITE | G/F | 2-1734774-1 | | | | | | | |
| | BLACK | 15u" | 2-1734774-0 | | | | | | | | | |
| | WHITE | G/F | 1-1734774-9 | | | | | | | | | |
| | BLACK | 15u" | 1-1734774-8 | | | | | | | | | |
| | WHITE | G/F | 1-1734774-7 | | | | | | | | | |
| | BLACK | 15u" | 1-1734774-6 | | | | | | | | | |
| | WHITE | G/F | 1-1734774-5 | | | | | | | | | |
| | BLACK | 15u" | 1-1734774-4 | | | | | | | | | |
| | WHITE | G/F | 1-1734774-3 | | | | | | | | | |
| 8.7 | BLACK | 15u" | 1-1734774-2 | | | | | | | | | |
| | WHITE | G/F | 1-1734774-1 | | | | | | | | | |
| | BLACK | 15u" | 1-1734774-0 | | | | | | | | | |
| | WHITE | G/F | 1734774-9 | | | | | | | | | |
| 5.45 | BLACK | 15u" | 1734774-8 | | | | | | | | | |
| | WHITE | G/F | 1734774-7 | | | | | | | | | |
| | BLACK | 15u" | 1734774-6 | | | | | | | | | |
| | WHITE | G/F | 1734774-5 | | | | | | | | | |
| 3.85 | BLACK | 15u" | 1734774-4 | | | | | | | | | |
| | WHITE | G/F | 1734774-3 | | | | | | | | | |
| | BLACK | 15u" | 1734774-2 | | | | | | | | | |
| | WHITE | G/F | 1734774-1 | | | | | | | | | |

| WEIGHT(g) | PCI-E COMPLIANCE | HOUSING MATERIAL | DIM. L | DIM. E | DIM. D | DIM. C | DIM. B | DIM. A | POS. | HOUSING COLOR | MIN. GOLD THICKNESS | PART NUMBER |
|-----------|------------------|------------------|-------------|--------|-------------|-------------|--------|--------|------|---------------|---------------------|-------------|
| 8.8 | GEN II | PA46 | 2.30 | 71.35 | 70 | 73.15 | 89 | 71.65 | 164 | BLACK | 15u" | 9-1734774-7 |
| 5.5 | | | | | | | | | | WHITE | G/F | 9-1734774-6 |
| 3.9 | | | | BLACK | 15u" | 9-1734774-5 | | | | | | |
| 2.55 | | | | WHITE | G/F | 9-1734774-4 | | | | | | |
| 8.8 | | | | BLACK | 15u" | 9-1734774-3 | | | | | | |
| | | | | WHITE | G/F | 9-1734774-2 | | | | | | |
| | | | | BLACK | 15u" | 9-1734774-1 | | | | | | |
| | | | | WHITE | G/F | 9-1734774-0 | | | | | | |
| 5.5 | | | | BLACK | 15u" | 8-1734774-9 | | | | | | |
| | | | | WHITE | G/F | 8-1734774-8 | | | | | | |
| | | | | BLACK | 15u" | 8-1734774-7 | | | | | | |
| | | | | WHITE | G/F | 8-1734774-6 | | | | | | |
| 3.9 | | | BLACK | 15u" | 8-1734774-5 | | | | | | | |
| | | | WHITE | G/F | 8-1734774-4 | | | | | | | |
| | | | BLACK | 15u" | 8-1734774-3 | | | | | | | |
| | | | WHITE | G/F | 8-1734774-2 | | | | | | | |
| 2.55 | | | BLACK | 15u" | 8-1734774-1 | | | | | | | |
| | | | WHITE | G/F | 8-1734774-0 | | | | | | | |
| | | | BLACK | 15u" | 7-1734774-9 | | | | | | | |
| | | | WHITE | G/F | 7-1734774-8 | | | | | | | |
| 3.10 | | | BLACK | 15u" | 7-1734774-7 | | | | | | | |
| | | | WHITE | G/F | 7-1734774-6 | | | | | | | |
| | | | BLACK | 15u" | 7-1734774-5 | | | | | | | |
| | | | WHITE | G/F | 7-1734774-4 | | | | | | | |
| | BLACK | 15u" | 7-1734774-3 | | | | | | | | | |
| | WHITE | G/F | 7-1734774-2 | | | | | | | | | |
| | BLACK | 15u" | 7-1734774-1 | | | | | | | | | |
| | WHITE | G/F | 7-1734774-0 | | | | | | | | | |
| | BLACK | 15u" | 6-1734774-9 | | | | | | | | | |
| | WHITE | G/F | 6-1734774-8 | | | | | | | | | |
| | BLACK | 15u" | 6-1734774-7 | | | | | | | | | |
| | WHITE | G/F | 6-1734774-6 | | | | | | | | | |
| 8.8 | BLACK | 15u" | 6-1734774-5 | | | | | | | | | |
| | WHITE | G/F | 6-1734774-4 | | | | | | | | | |
| | BLACK | 15u" | 6-1734774-3 | | | | | | | | | |
| | WHITE | G/F | 6-1734774-2 | | | | | | | | | |
| 5.5 | BLACK | 15u" | 6-1734774-1 | | | | | | | | | |
| | WHITE | G/F | 6-1734774-0 | | | | | | | | | |
| | BLACK | 15u" | 5-1734774-9 | | | | | | | | | |
| | WHITE | G/F | 5-1734774-8 | | | | | | | | | |
| 3.9 | BLACK | 15u" | 5-1734774-7 | | | | | | | | | |
| | WHITE | G/F | 5-1734774-6 | | | | | | | | | |
| | BLACK | 15u" | 5-1734774-5 | | | | | | | | | |
| | WHITE | G/F | 5-1734774-4 | | | | | | | | | |
| 2.55 | BLACK | 15u" | 5-1734774-3 | | | | | | | | | |
| | WHITE | G/F | 5-1734774-2 | | | | | | | | | |
| | BLACK | 15u" | 5-1734774-1 | | | | | | | | | |
| | WHITE | G/F | 5-1734774-0 | | | | | | | | | |

| | | | | |
|----------------------------------------|--|---------------------------------|-----------|-----------|
| THIS DRAWING IS A CONTROLLED DOCUMENT. | | DWN | B. HSING | 15JUL2009 |
| DIMENSIONS: MM | | CHK | S. CHIEN | 15JUL2009 |
| TOLERANCES UNLESS OTHERWISE SPECIFIED: | | APVD | W. KODAMA | 15JUL2009 |
| 0 PLC ± - | | NAME | | |
| 1 PLC ± 0.3 | | PCI EXPRESS CARD EDGE CONNECTOR | | |
| 2 PLC ± 0.2 | | VERTICAL, DIP TYPE, 3GIO | | |
| 3 PLC ± 0.15 | | SIZE | | |
| 4 PLC ± - | | CAGE CODE | | |
| ANGLES ± 3' | | DRAWING NO | | |
| MATERIAL | | RESTRICTED TO | | |
| FINISH | | A3 00779 C=1734774 | | |
| WEIGHT | | SCALE | | |
| CUSTOMER DRAWING | | SHEET 1 OF 5 | | |
| | | REV G | | |

THIS DRAWING IS UNPUBLISHED. RELEASED FOR PUBLICATION AUG ,2006.
 © COPYRIGHT BY TYCO ELECTRONICS CORPORATION. ALL RIGHTS RESERVED.

| LOC | DIST | REVISIONS | | | | | |
|-----|------|-----------|-----|-------------|------|-----|------|
| | | P | LTR | DESCRIPTION | DATE | DWN | APVD |
| DW | | - | - | SEE SHEET 1 | - | - | - |

- NOTES:
- MATERIAL:
 - HOUSING: 1.PA46 WITH 40% G.F, UL94 V-0, COLOR: SEE TABLE.
2.PA9T WITH 30% GF, UL94 V-0, COLOR: SEE TABLE.
 - CONTACT: PHOSPHOR BRONZE
 - FINISH:

CONTACT: (SEE TABLE) GOLD PLATING ON CONTACT AREA.
2.54um [100u"] MIN. MATTE-TIN PALTING ON SOLDER TAIL AREA.
1.27um [50u"] MIN. NICKEL UNDERPLATING OVERALL.
 - CONNECTOR HAS MET THE REQUIREMENTS PER PCI EXPRESS GEN 2 TECHNICAL DOCUMENT.
 - WEIGHT:

36 POS.: 2.55 GRAMS; 64 POS.: 3.90 GRAMS
98 POS.: 5.50 GRAMS; 164 POS.: 8.80 GRAMS
 - WAVE SOLDER CAPABLE TO 265°C PER TEST SPEC. 109-202 CONDITION B.
 ⚠️ REFLOW SOLDER CAPABLE TO 260°C PER TEST SPEC. 109-201 CONDITION B.
 (REFLOW SOLDERING PLEASE USE PN : 1734774-1 TO 4-1734774-8)



| | | | | | |
|----------------------------------------|----------|------------------|----------------------------------------------------------|-----------|------------|
| THIS DRAWING IS A CONTROLLED DOCUMENT. | | DWN | TE Connectivity | | |
| DIMENSIONS: MM | | CHK | NAME | | |
| TOLERANCES UNLESS OTHERWISE SPECIFIED: | | APVD | PCI EXPRESS CARD EDGE CONNECTOR VERTICAL, DIP TYPE, 3GIO | | |
| 0 PLC ± - | | PRODUCT SPEC | SIZE | CAGE CODE | DRAWING NO |
| 1 PLC ± 0.3 | | APPLICATION SPEC | A3 | 00779 | 1734774 |
| 2 PLC ± 0.2 | | | RESTRICTED TO | | |
| 3 PLC ± 0.15 | | | | | |
| 4 PLC ± - | | | | | |
| ANGLES ± 3' | | | | | |
| MATERIAL | FINISH | WEIGHT | CUSTOMER DRAWING | | |
| SEE NOTE | SEE NOTE | SEE NOTE 4 | SCALE SHEET 2 OF 5 REV G | | |

4

3

2

1

THIS DRAWING IS UNPUBLISHED. RELEASED FOR PUBLICATION AUG ,2006.
 © COPYRIGHT BY TYCO ELECTRONICS CORPORATION. ALL RIGHTS RESERVED.

| LOC | DIST | REVISIONS | | | |
|-----|------|--------------|------|-----|------|
| P | LTR | DESCRIPTION | DATE | DWN | APVD |
| | | SEE SHEET 1. | | | |



PN X-1 TO 4-X-8
(PA9T TYPE)

36 POS.



PN 5-X-0 TO 9-X-7
(PA46 TYPE)



64 POS.



98 POS.



164 POS.



| | | | | | | | |
|--------------------------------------------------------------------------------------|--|--------------|----------------------------------------------------------------------------------------|-------|-----------|------------|---------------|
| THIS DRAWING IS A CONTROLLED DOCUMENT. | | DWN | TE Connectivity NAME PCI EXPRESS CARD EDGE CONNECTOR VERTICAL, DIP TYPE, 3GIO | | | | |
| DIMENSIONS: MM | | CHK | | | | | |
| TOLERANCES UNLESS OTHERWISE SPECIFIED: | | APVD | | | | | |
| 0 PLC ± - 1 PLC ± 0.25 2 PLC ± 0.25 3 PLC ± 0.25 4 PLC ± - ANGLES ± - | | PRODUCT SPEC | | | | | |
| MATERIAL | | FINISH | APPLICATION SPEC | SIZE | CAGE CODE | DRAWING NO | RESTRICTED TO |
| | | | WEIGHT | A3 | 00779 | C=1734774 | |
| CUSTOMER DRAWING | | | SCALE | SHEET | 3 OF 5 | REV | G |

THIS DRAWING IS UNPUBLISHED. RELEASED FOR PUBLICATION AUG ,2006.
 © COPYRIGHT BY TYCO ELECTRONICS CORPORATION. ALL RIGHTS RESERVED.

| LOC | DIST | REVISIONS | | | | | |
|-----|------|-----------|-----|--------------|------|-----|------|
| DW | | P | LTR | DESCRIPTION | DATE | DWN | APVD |
| | | | | SEE SHEET 1. | | | |

ADD-IN CARD EDGE-FINGER DIMENSIONS

NOTES:
 CHAMFER EDGE MUST BE FREE OF CUTTING BURRS



RECOMMENDED PCB LAYOUT

TOLERANCE: ±0.05
 FOR DIM.L=3.1mm PCB THICKNESS: 2.4mm
 FOR DIM.L=2.3mm PCB THICKNESS: 1.6mm

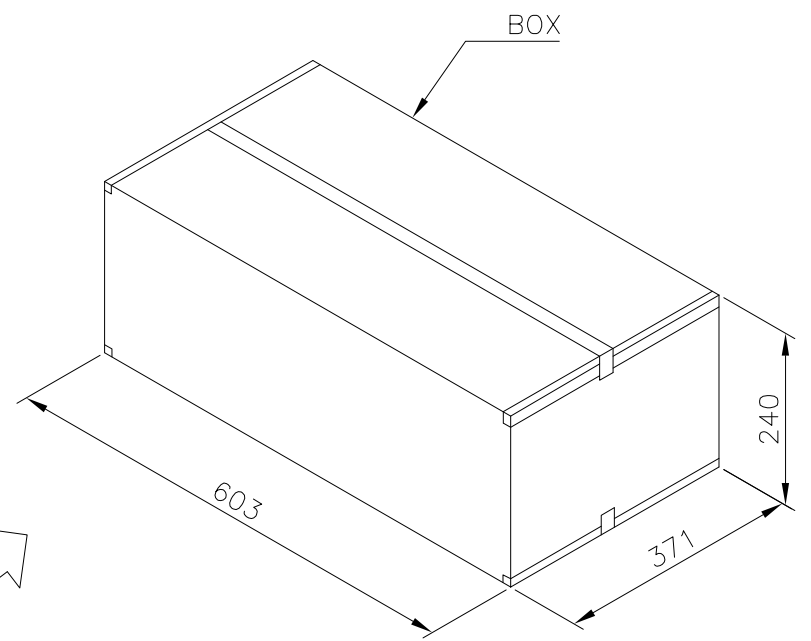
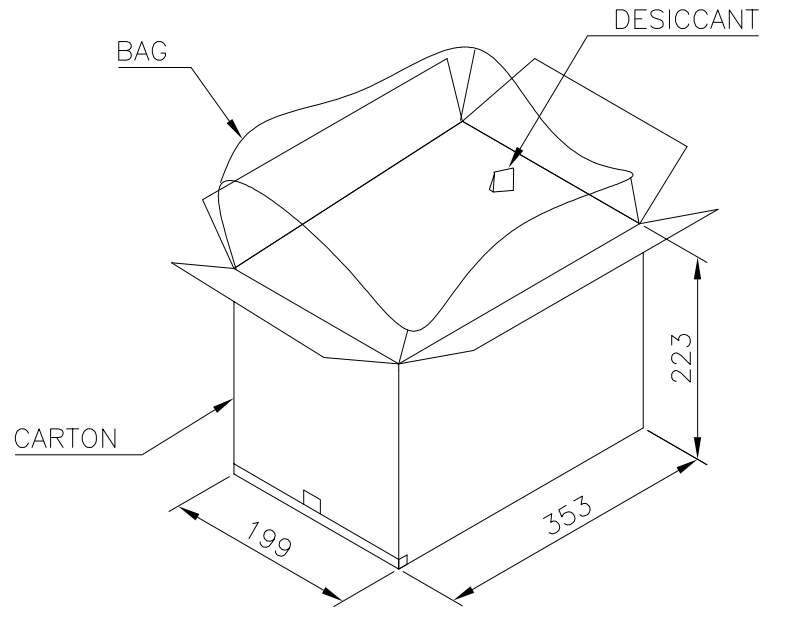
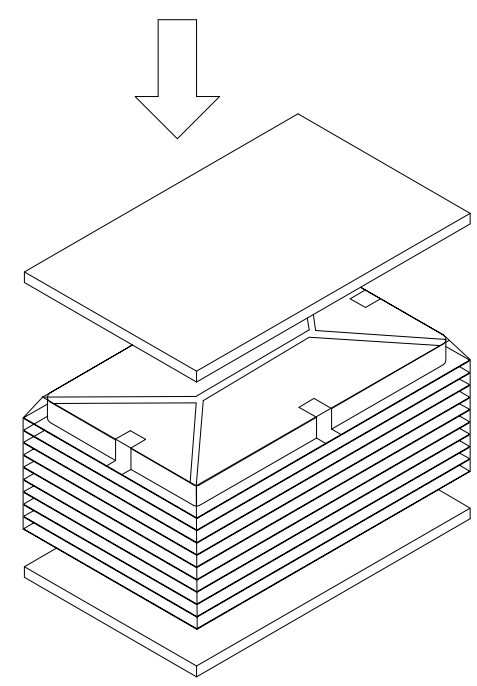


| POS. | DIM. F | DIM. G | DIM. H | "K" |
|------|--------|--------|--------|------------------------|
| 164 | 70.0 | 73.15 | 72.15 | A1, B17, B31, B48, B81 |
| 98 | 37.0 | 40.15 | 39.15 | A1, B17, B31, B48 |
| 64 | 20.0 | 23.15 | 22.15 | A1, B17, B31 |
| 36 | 6.0 | 9.15 | 8.15 | A1, B17 |

| | | | | | |
|----------------------------------------|--|------------------|--|----------------------------------------------------------|--|
| THIS DRAWING IS A CONTROLLED DOCUMENT. | | DWN | | | |
| DIMENSIONS: MM | | CHK | | | |
| TOLERANCES UNLESS OTHERWISE SPECIFIED: | | APVD | | NAME | |
| 0 PLC ± - | | PRODUCT SPEC | | PCI EXPRESS CARD EDGE CONNECTOR VERTICAL, DIP TYPE, 3GIO | |
| 1 PLC ± - | | APPLICATION SPEC | | SIZE CAGE CODE DRAWING NO RESTRICTED TO | |
| 2 PLC ± - | | WEIGHT | | A3 00779 C=1734774 | |
| 3 PLC ± - | | CUSTOMER DRAWING | | SCALE SHEET 4 OF 5 REV G | |
| 4 PLC ± - | | | | | |
| ANGLES ± - | | | | | |
| FINISH | | | | | |
| MATERIAL | | | | | |

THIS DRAWING IS UNPUBLISHED. RELEASED FOR PUBLICATION AUG ,2006.
 © COPYRIGHT BY TYCO ELECTRONICS CORPORATION. ALL RIGHTS RESERVED.

| LOC | DIST | REVISIONS | | | | | |
|-----|------|-----------|-----|--------------|------|-----|------|
| DW | | P | LTR | DESCRIPTION | DATE | DWN | APVD |
| | | | | SEE SHEET 1. | | | |



- NOTES :
- MATERIAL :
 TRAY : PVC, COLOR: TRANSPARENT.
 CARTON: CORRUGATED FIBER
 BOX: CORRUGATED FIBER
 - DIMENSION :
 TRAY: SEE DRAWING
 CARTON: SEE DRAWING
 BOX : SEE DRAWING
 - QUANTITY : SEE TABLE
 - WEIGHT : SEE TABLE

| 10.2 Kg | 8.2 Kg | 30 | 10 | 3 | 900 | 164 |
|--------------|------------|-----------|--------------|-------------|----------|------|
| 9.0 Kg | 7.0 Kg | 40 | 10 | 3 | 1200 | 98 |
| 8.5 Kg | 6.5 Kg | 60 | 10 | 3 | 1800 | 64 |
| 7.6 Kg | 5.6 Kg | 70 | 10 | 3 | 2100 | 36 |
| GROSS WEIGHT | NET WEIGHT | PCS/ TRAY | TRAY/ CARTON | CARTON/ BOX | PCS/ BOX | POS. |

| | | | | | |
|----------------------------------------|--|------------------|--|---------------------------------|--|
| THIS DRAWING IS A CONTROLLED DOCUMENT. | | DWN | | TE Connectivity | |
| DIMENSIONS: MM | | CHK | | | |
| TOLERANCES UNLESS OTHERWISE SPECIFIED: | | APVD | | NAME | |
| 0 PLC ± - | | PRODUCT SPEC | | PCI EXPRESS CARD EDGE CONNECTOR | |
| 1 PLC ± - | | APPLICATION SPEC | | VERTICAL, DIP TYPE, 3GIO | |
| 2 PLC ± - | | WEIGHT | | SIZE | |
| 3 PLC ± - | | CUSTOMER DRAWING | | CAGE CODE | |
| 4 PLC ± - | | SCALE | | DRAWING NO | |
| ANGLES ± - | | SHEET | | RESTRICTED TO | |
| MATERIAL | | FINISH | | A3 00779 C=1734774 | |
| | | REV | | G | |

Данный компонент на территории Российской Федерации

Вы можете приобрести в компании MosChip.

Для оперативного оформления запроса Вам необходимо перейти по данной ссылке:

<http://moschip.ru/get-element>

Вы можете разместить у нас заказ для любого Вашего проекта, будь то серийное производство или разработка единичного прибора.

В нашем ассортименте представлены ведущие мировые производители активных и пассивных электронных компонентов.

Нашей специализацией является поставка электронной компонентной базы двойного назначения, продукции таких производителей как XILINX, Intel (ex.ALTERA), Vicor, Microchip, Texas Instruments, Analog Devices, Mini-Circuits, Amphenol, Glenair.

Сотрудничество с глобальными дистрибьюторами электронных компонентов, предоставляет возможность заказывать и получать с международных складов практически любой перечень компонентов в оптимальные для Вас сроки.

На всех этапах разработки и производства наши партнеры могут получить квалифицированную поддержку опытных инженеров.

Система менеджмента качества компании отвечает требованиям в соответствии с ГОСТ Р ИСО 9001, ГОСТ РВ 0015-002 и ЭС РД 009

Офис по работе с юридическими лицами:

105318, г.Москва, ул.Щербаковская д.3, офис 1107, 1118, ДЦ «Щербаковский»

Телефон: +7 495 668-12-70 (многоканальный)

Факс: +7 495 668-12-70 (доб.304)

E-mail: info@moschip.ru

Skype отдела продаж:

moschip.ru

moschip.ru_4

moschip.ru_6

moschip.ru_9