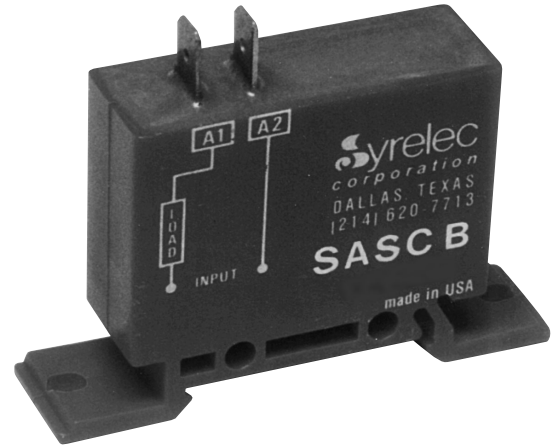


# GENERAL DETAILS OF TYPE S TIMERS

S series are compact, low cost, precision devices designed to the most demanding specifications. The small size, epoxy filled case is highly resistant against dust, vibrations, shock or humidity. Creep and strike distance according to VDE 0110 Group C 250V. Case protection IP66. Case material - Polymid.

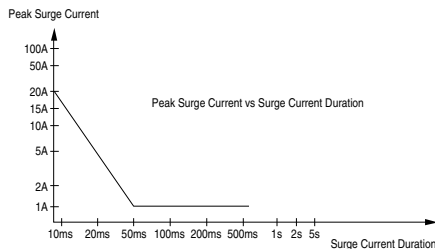


# SAS SERIES DELAY ON MAKE TIMER WITH SOLID STATE OUTPUT

UL listed CSA recognized

### SPECIFICATIONS:

- Input Power** ..... 24 VAC/DC, 110 VAC/DC  
220 VAC/DC, ±15%, 50/60 Hz
- Output Rating** ..... max.: 1.0 A at 20°C  
min.: 10 mA
- Repetition accuracy** ..... ±0.5% at a constant ambient
- Temp rise derating** ..... 5 mA / °C
- Reset time SAS-L & SAS-DL** ..... 25 ms after timing  
100 ms during timing
- SAS-PL** ..... 100 ms during timing
- Leakage current during timing** ..... 5 mA max
- Peak surge current** ..... 20 A < 10 ms
- Peak surge voltage** ..... 1400 V, 10 μs
- Terminals** ..... 1/4" (6.35mm) quick connect
- Operating temperature** ..... -22°F to +140°F (-30°C to +60°C)
- Weight** ..... 1.9 oz. (55g)



### ORDERING INFORMATION: (100 pcs. minimum order)

**S**  
MOUNTING

**AS-D**  
SERIES

**100S**  
TIME RANGE

**220 AD**  
INPUT POWER

**L**  
UL

S=Encapsulated requiring DIN-Rail, Panel Adapter or use Base Mounting Holes

AS = standard relay  
AS-D = remote potentiometer  
AS-P = internal potentiometer

AS = Fixed .1 sec - 1 min  
AS-D = .1 sec - 60 min  
Ex = 10-100 sec maintain 10:1 ratio  
AS-P = .1 sec - 10 sec  
1-100 sec maintain 100:1 ratio

24AD = 24 VAC/DC  
110AD = 110 VAC/DC  
220AD = 220 VAC/DC

1 AMP



Function A: When input power is applied, timing (t) begins. At the end of the preselected time, the solid state SCR output turns on. The output turns off when the input power is removed, resetting the timer for the next cycle.

### WIRING DIAGRAM:



# SDS SERIES

## REPEAT CYCLE TIMER

UL listed CSA recognized

- Shock Resistant
- SCR Solid State Output
- Optional Remote Potentiometer
- DIN-Rail or Base Mounting



When input power S1 is applied, the solid state output turns on immediately for the timer period specified. It then turns OFF for that same time period and repeats continuously while power is applied.

### SPECIFICATIONS:

|                               |  |
|-------------------------------|--|
| Input                         | 24 VAC, 48 VAC, 110 VAC<br>220 VAC, ±15%, 50/60 Hz                     |
| Maximum power consumption     | 24 VAC: 0.2 VA<br>48 VAC: 0.3 VA<br>110 VAC: 0.6 VA<br>220 VAC: 1.2 VA |
| Output                        | SCR  |
| Output Rating                 | max.: 1.0 A at 20°C<br>min.: 10 mA                                     |
| Repetition accuracy           | ±0.5% at a constant ambient  |
| Temp. rise derating           | 5 mA / °C  |
| Reset time                    | 100 ms after timing<br>150 ms during timing                            |
| Leakage current during timing | 2 mA max.  |
| Peak surge current            | 20 A < 10ms  |
| Peak surge voltage            | 1400 V, 100 µs   |
| Terminals                     | Faston 1/4" (6.35mm)   |
| Operating temperature         | -22°F to +140°F -30°C to +60°C   |
| Weight                        | 1.9 oz. (55g)  |

### WIRING DIAGRAM:



DIMENSIONS See page 3-34

### ORDERING INFORMATION: (100 pcs. minimum order)

P.S.: Specify maximum time for "D" and "P" versions.

**S**  
MOUNTING

**DS**  
SERIES

**10 min**  
TIME RANGE

**24**  
INPUT POWER

**L**  
UL

S = Encapsulated, requiring DIN-Rail, Panel Adapter or use Base Mounting Holes

DS = Fixed time  
DS-D = remote potentiometer  
DS-P = internal potentiometer

DS = Fixed .1s. - 120 min  
DS-D = .1 sec. - 120 min.  
Maintain 10:1 ratio  
DS-P = 1 -10 sec. or min., 10 - 100 sec. or min.  
Maintain 100:1 ratio

24A = 24 VAC  
48A = 48 VAC  
110A = 110 VAC  
220A = 220 VAC

1 AMP

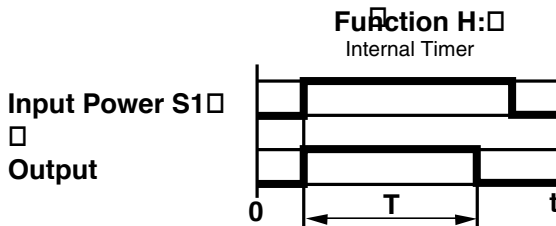
Products and specifications subject to change without notice.

# SHS SERIES

## INTERVAL TIMER WITH SOLID STATE OUTPUT

UL listed CSA recognized

- Epoxy Encapsulated
- DIN-Rail or Base Mounting
- Internal or External Time Set
- Fixed Time

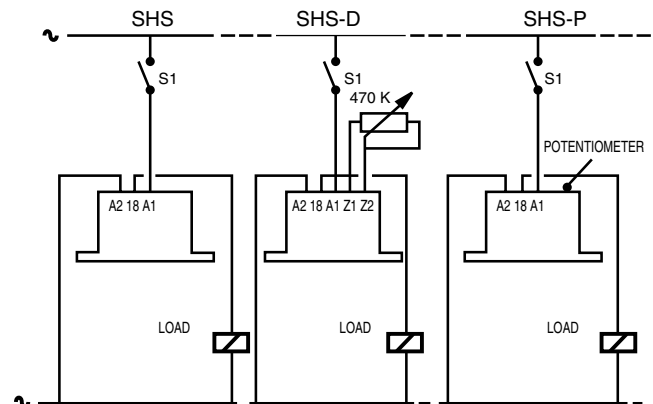


The solid state output turns on when the input power (S1) is applied. The output turns off at the end of time (T). The timer is reset when the input power is removed.

**SPECIFICATIONS:**

|                                      |  |
|--------------------------------------|--|
| <b>Input</b>                         | 24 VAC, 48 VAC, 110 VAC<br>220 VAC, ±15%, 50/60 Hz                     |
| <b>Maximum power consumption</b>     | 24 VAC: 0.2 VA<br>48 VAC: 0.3 VA<br>110 VAC: 0.6 VA<br>220 VAC: 1.2 VA |
| <b>Output</b>                        | SCR  |
| <b>Output Rating</b>                 | max.: 1.0 A at 20°C<br>min.: 10 mA                                     |
| <b>Repetition accuracy</b>           | ±0.5% at a constant ambient  |
| <b>Temp. rise derating</b>           | 5 mA / °C  |
| <b>Reset time</b>                    | 100 ms after timing<br>150 ms during timing                            |
| <b>Leakage current during timing</b> | 2 mA max.  |
| <b>Peak surge current</b>            | 20 A < 10 ms   |
| <b>Peak surge voltage</b>            | 1400 V, 100 µs   |
| <b>Terminals</b>                     | Faston 1/4" (6.35mm)   |
| <b>Operating temperature</b>         | -22°F to +140°F    -30°C to +60°C                                      |
| <b>Weight</b>                        | 1.9 oz. (55g)  |

**WIRING DIAGRAM:**



Note: Available with internal potentiometer in HS-P Series.

**ORDERING INFORMATION:** (100 pcs. minimum order)

P.S.: Specify maximum time for "D" and "P" versions.

DIMENSIONS See page 3-34

|  |   |   |  |                |
|--|---|---|--|----------------|
| <b>S</b><br>MOUNTING   | <b>HS-D</b><br>SERIES   | <b>300S</b><br>TIME RANGE   | <b>220A</b><br>INPUT POWER                                       | <b>L</b><br>UL |
| S = Encapsulated, requiring DIN-Rail, Panel Adapter or Base Mounting Holes | HS = Fixed time<br>HS-D = remote potentiometer<br>HS-P = internal potentiometer | HS = Fixed .1s. - 120 min<br>HS-D = 1 sec. - 120 min. Maintain 10:1 ratio<br>HS-P = 1-10 sec. or min., 10 - 100 sec. or min. Maintain 100:1 ratio | 24A = 24 VAC<br>48A = 48 VAC<br>110A = 110 VAC<br>220A = 220 VAC | 1 AMP          |

Products and specifications subject to change without notice.

Order/Technical Support – Tel: (800) 677-5311 / FAX: (800) 677-3865 / www.crouzet-usa.com

## Данный компонент на территории Российской Федерации

### Вы можете приобрести в компании MosChip.

Для оперативного оформления запроса Вам необходимо перейти по данной ссылке:

<http://moschip.ru/get-element>

Вы можете разместить у нас заказ для любого Вашего проекта, будь то серийное производство или разработка единичного прибора.

В нашем ассортименте представлены ведущие мировые производители активных и пассивных электронных компонентов.

Нашей специализацией является поставка электронной компонентной базы двойного назначения, продукции таких производителей как XILINX, Intel (ex.ALTERA), Vicor, Microchip, Texas Instruments, Analog Devices, Mini-Circuits, Amphenol, Glenair.

Сотрудничество с глобальными дистрибьюторами электронных компонентов, предоставляет возможность заказывать и получать с международных складов практически любой перечень компонентов в оптимальные для Вас сроки.

На всех этапах разработки и производства наши партнеры могут получить квалифицированную поддержку опытных инженеров.

Система менеджмента качества компании отвечает требованиям в соответствии с ГОСТ Р ИСО 9001, ГОСТ РВ 0015-002 и ЭС РД 009

### Офис по работе с юридическими лицами:

105318, г.Москва, ул.Щербаковская д.3, офис 1107, 1118, ДЦ «Щербаковский»

Телефон: +7 495 668-12-70 (многоканальный)

Факс: +7 495 668-12-70 (доб.304)

E-mail: [info@moschip.ru](mailto:info@moschip.ru)

Skype отдела продаж:

moschip.ru

moschip.ru\_4

moschip.ru\_6

moschip.ru\_9