

# MAXIM

## 8-Bit Parallel DAC in QSOP-16 Package

MAX5480

### General Description

The MAX5480 is a CMOS, 8-bit digital-to-analog converter (DAC) that interfaces directly with most microprocessors. On-chip input latches make the DAC load cycle interface similar to a RAM write cycle, where  $\overline{CS}$  and  $\overline{WR}$  are the only control inputs required.

Linearity of  $\pm 1/2$ LSB is guaranteed, and power consumption is less than  $500\mu\text{W}$ . Monotonicity is guaranteed over the full operating temperature range.

The MAX5480 can be operated in either voltage-output or current-output mode. It is available in a small 16-pin QSOP package.

### Applications

Digitally Adjusted Power Supplies

Programmable Gain

Automatic Test Equipment

Portable, Battery-Powered Instruments

VCO Frequency Control

RF Transmit Control in Portable Radios

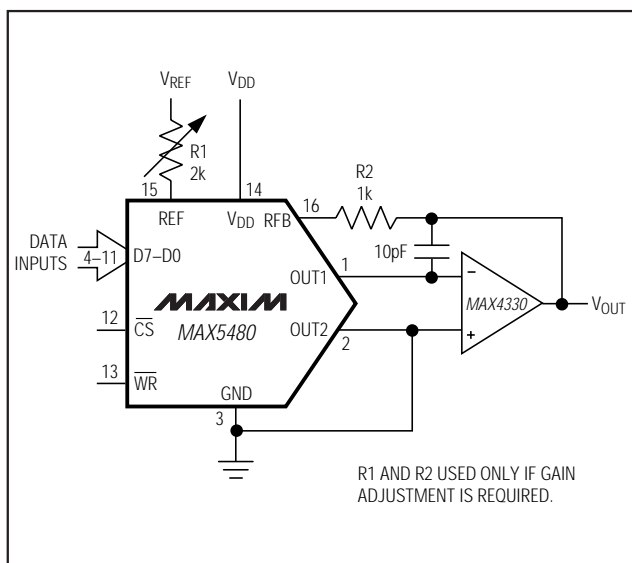
### Features

- ◆ QSOP-16 Package (same footprint as SO-8)
- ◆ Single +5V Supply Operation
- ◆  $V_{\text{OUT}}$  or  $I_{\text{OUT}}$  Operation
- ◆ 8-Bit Parallel Interface
- ◆ Guaranteed Monotonic Over Temperature
- ◆ Low Power Consumption— $100\mu\text{A}$  max
- ◆  $\pm 1/2$ LSB Linearity Over Temperature

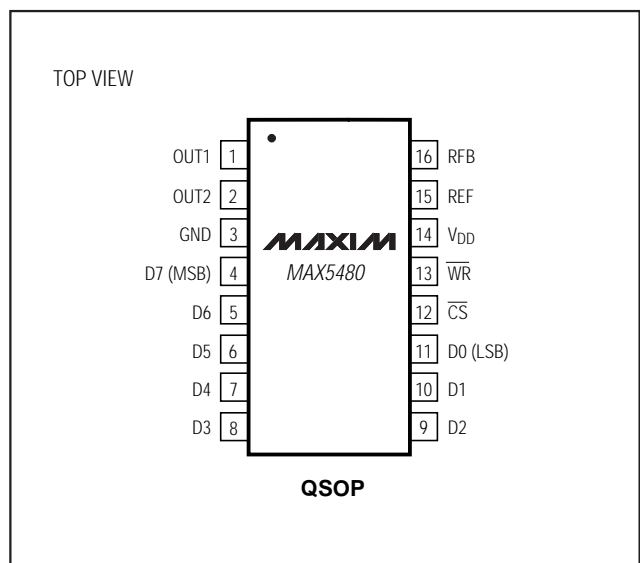
### Ordering Information

PART	TEMP. RANGE	PIN-PACKAGE	ERROR (LSB)
MAX5480ACEE	0°C to +70°C	16 QSOP	$\pm 1/2$
MAX5480BCCE	0°C to +70°C	16 QSOP	$\pm 1/2$
MAX5480AECE	-40°C to +85°C	16 QSOP	$\pm 1/2$
MAX5480BECE	-40°C to +85°C	16 QSOP	$\pm 1/2$

### Typical Operating Circuit



### Pin Configuration



# 8-Bit Parallel DAC in QSOP-16 Package

## ABSOLUTE MAXIMUM RATINGS

V <sub>DD</sub> to GND	-0.3V to +17V
REF to GND	±25V
RFB to GND	±25V
Digital Inputs to GND	-0.3V to (V <sub>DD</sub> + 0.3V)
OUT1, OUT2 to GND	-0.3V to V <sub>DD</sub>

Operating Temperature Ranges	
MAX5480_CEE	0°C to +70°C
MAX5480_EEE	-40°C to +85°C
Storage Temperature Range	
	-65°C to +160°C
Continuous Power Dissipation (T <sub>A</sub> = +70°C)	
MAX5480_EE (derate 8.3mW/°C above +70°C)	0.667mW
Lead Temperature (soldering 10sec)	
	+300°C

Stresses beyond those listed under "Absolute Maximum Ratings" may cause permanent damage to the device. These are stress ratings only, and functional operation of the device at these or any other conditions beyond those indicated in the operational sections of the specifications is not implied. Exposure to absolute maximum rating conditions for extended periods may affect device reliability.

## ELECTRICAL CHARACTERISTICS

(V<sub>DD</sub> = +5V, V<sub>REF</sub> = +10V, V<sub>OUT1</sub> = V<sub>OUT2</sub> = 0V, Circuit of Figure 1, T<sub>A</sub> = T<sub>MIN</sub> to T<sub>MAX</sub>, unless otherwise noted.)

PARAMETER	SYMBOL	CONDITIONS		MIN	TYP	MAX	UNITS
<b>DC ACCURACY</b>							
Resolution				8			Bits
Relative Accuracy	INL					±1/2	LSB
Differential Nonlinearity	DNL	All grades guaranteed monotonic over temperature				±1	LSB
Gain Error (Note 1)		T <sub>A</sub> = T <sub>MIN</sub> to T <sub>MAX</sub>			±1		LSB
Gain Temperature Coefficient (Note 2)					±2		ppm/°C
Supply Rejection	PSR	MAX5480A (Note 3)	T <sub>A</sub> = +25°C	0.002	0.08		%FSR/%
			T <sub>A</sub> = T <sub>MIN</sub> to T <sub>MAX</sub>	0.01	0.16		
		MAX5480B	T <sub>A</sub> = +25°C	0.002			
			T <sub>A</sub> = T <sub>MIN</sub> to T <sub>MAX</sub>	0.01			
Output Leakage Current (I <sub>OUT1</sub> )		V <sub>REF</sub> = ±10V DAC code = full scale	T <sub>A</sub> = +25°C			±50	nA
			T <sub>A</sub> = T <sub>MIN</sub> to T <sub>MAX</sub>			±400	
Output Leakage Current (I <sub>OUT2</sub> )		V <sub>REF</sub> = ±10V DAC code = zero scale	T <sub>A</sub> = +25°C			±50	nA
			T <sub>A</sub> = T <sub>MIN</sub> to T <sub>MAX</sub>			±400	
<b>REFERENCE INPUT</b>							
Input Resistance	R <sub>REF</sub>	pin 15 to GND		5	10	20	kΩ
<b>DYNAMIC PERFORMANCE</b>							
Output Current Settling Time to 1/2LSB		D0-D7 = 0V to V <sub>DD</sub> or V <sub>DD</sub> to 0V, WR = CS = 0V, OUT1 load = 100Ω    13pF	MAX5480A (Note 3)	T <sub>A</sub> = +25°C		400	ns
				T <sub>A</sub> = T <sub>MIN</sub> to T <sub>MAX</sub>		500	
			MAX5480B	T <sub>A</sub> = +25°C		250	
				T <sub>A</sub> = T <sub>MIN</sub> to T <sub>MAX</sub>			
AC Feedthrough (OUT1 or OUT2)		V <sub>REF</sub> = ±10V, 100kHz sine wave, WR = CS = 0V	MAX5480A (Note 3)	T <sub>A</sub> = +25°C		0.25	ns
				T <sub>A</sub> = T <sub>MIN</sub> to T <sub>MAX</sub>		0.5	
			MAX5480B	T <sub>A</sub> = +25°C		0.1	
				T <sub>A</sub> = T <sub>MIN</sub> to T <sub>MAX</sub>			
<b>ANALOG OUTPUTS</b>							
OUT1 Capacitance (Note 3)	C <sub>OUT1</sub>	D0-D7 = V <sub>DD</sub> , WR = CS = 0V				120	pF
		D0-D7 = 0V, WR = CS = 0V				30	
OUT2 Capacitance (Note 3)	C <sub>OUT2</sub>	D0-D7 = V <sub>DD</sub> , WR = CS = 0V				30	pF
		D0-D7 = 0V, WR = CS = 0V				120	

# 8-Bit Parallel DAC in QSOP-16 Package

MAX5480

## ELECTRICAL CHARACTERISTICS (continued)

(V<sub>DD</sub> = +5V, V<sub>REF</sub> = +10V, V<sub>OUT1</sub> = V<sub>OUT2</sub> = 0V, Circuit of Figure 1, T<sub>A</sub> = T<sub>MIN</sub> to T<sub>MAX</sub>, unless otherwise noted.)

PARAMETER	SYMBOL	CONDITIONS	MIN	TYP	MAX	UNITS
<b>DIGITAL INPUTS</b>						
Input High Voltage	V <sub>IH</sub>		2.4			V
Input Low Voltage	V <sub>IL</sub>				0.8	V
Input Current	I <sub>IN</sub>	T <sub>A</sub> = +25°C; V <sub>IN</sub> = 0V to V <sub>DD</sub>			±1	μA
		T <sub>A</sub> = T <sub>MIN</sub> to T <sub>MAX</sub>			±10	
Input Capacitance (Note 3)	C <sub>IN</sub>	D0–D7			8	pF
		$\overline{WR}$ , $\overline{CS}$			20	
<b>POWER REQUIREMENTS</b>						
Supply Current	I <sub>DD</sub>	Digital inputs at 0V or V <sub>DD</sub>	T <sub>A</sub> = +25°C		100	μA
			T <sub>A</sub> = T <sub>MIN</sub> to T <sub>MAX</sub>		500	
<b>SWITCHING CHARACTERISTICS</b> (Figure 4)						
Chip-Select to Write-Setup Time	t <sub>CS</sub>	MAX5480A	220			ns
		MAX5480B		35		
Chip-Select to Write-Hold Time	t <sub>CH</sub>	MAX5480A	0			ns
		MAX5480B		0		
Write Pulse Width	t <sub>WR</sub>	MAX5480A	220			ns
		MAX5480B		35		
Data-Setup Time	t <sub>DS</sub>	MAX5480A	170			ns
		MAX5480B		55		
Data-Hold Time	t <sub>DH</sub>	MAX5480A	10			ns
		MAX5480B		-7		

**Note 1:** Gain error is measured using internal feedback resistor. Full-scale range (FSR) = V<sub>REF</sub>.

**Note 2:** Gain TempCo measured from +25°C to T<sub>MAX</sub> and from +25°C to T<sub>MIN</sub>.

**Note 3:** Guaranteed by design.

## Pin Description

PIN	NAME	FUNCTION
1	OUT1	R-2R Ladder Output
2	OUT2	R-2R Ladder Output, complement of OUT1
3	GND	Ground
4–11	D7–D0	Data Inputs, D7 is the most significant bit.
12	$\overline{CS}$	Chip Select Input. Active Low.
13	$\overline{WR}$	Write Control Input. Active Low.
14	V <sub>DD</sub>	Power Supply Input, +5V
15	REF	Reference Voltage Input
16	RFB	Feedback Resistor Connection

# 8-Bit Parallel DAC in QSOP-16 Package

## Detailed Description

The MAX5480 is an 8-bit multiplying digital-to-analog converter (DAC) that consists of a thin-film R-2R resistor array with CMOS current steering switches. Figure 3 shows a simplified schematic of the DAC. The inverted R-2R ladder divides the voltage or current reference in a binary manner among the eight steering switches. The magnitude of the current appearing at either OUT terminal depends on the number of switches selected; therefore, the output is an analog representation of the digital input. The two OUT terminals must be held at the same potential so a constant current is maintained in each ladder leg. This makes the REF input current independent of switch state and also ensures that the MAX5480 maintains its excellent linearity performance.

## Interface-Logic Information

### Mode Selection

The inputs  $\overline{CS}$  and  $\overline{WR}$  control the MAX5480's operating mode (see Table 1).

### Write Mode

When  $\overline{CS}$  and  $\overline{WR}$  are both low, the MAX5480 is in write mode, and its analog output responds to data activity at the D0–D7 data-bus inputs. In this mode, the data latches are transparent (see Tables 2 and 3).

### Hold Mode

In hold mode, the MAX5480 retains the data that was present on D0–D7 just prior to  $\overline{CS}$  or  $\overline{WR}$  assuming a high state. The analog output remains at the value corresponding to the digital code locked in the data latch.

## Applications Information

### Using the MAX5480 in Voltage-Output Mode (Single Supply)

The MAX5480 can be used either as a current-output DAC (Figures 1 and 6) or as a voltage-output DAC (Figures 2 and 5).

To use the MAX5480 in voltage mode, connect OUT1 to the reference input and connect OUT2 to ground. REF, now the DAC output, is a voltage source with a constant output resistance of  $10k\Omega$  (nominally). This output is often buffered with an op amp (Figure 5).

An advantage of voltage-mode operation is single-supply operation for the complete circuit; i.e., a negative reference is not required for a positive output. It is important to note that the range of the reference is restricted in voltage mode. The reference input (voltage at OUT1) must always be positive and is limited to no more than  $V_{DD} - 3V$ . If the reference voltage exceeds this value, linearity is degraded.

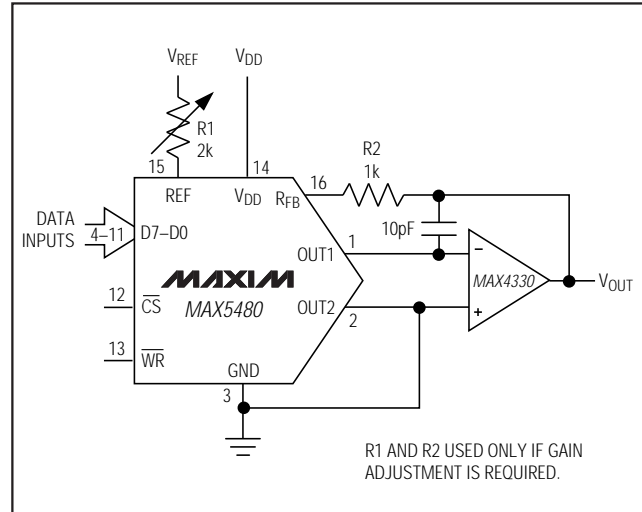


Figure 1. Unipolar Binary Operation (Two-Quadrant Multiplication)

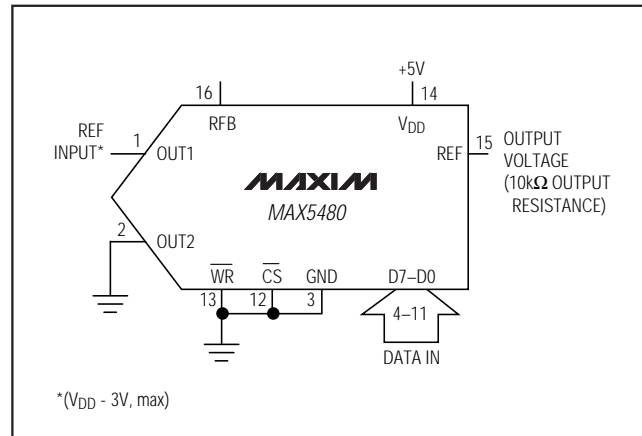


Figure 2. Typical Operating Circuit (Voltage Mode—Unbuffered)

Table 1. Mode-Selection Table

$\overline{CS}$	$\overline{WR}$	MODE	DAC Response
L	L	Write	DAC responds to data bus (D0–D7) inputs.
H	X	Hold	Data bus (D0–D7) is locked out; DAC holds last data present when $\overline{CS}$ or $\overline{WR}$ assumed high state.
X	H	Hold	

L = Low State, H = High State, X = Don't Care

# 8-Bit Parallel DAC in QSOP-16 Package

MAX5480

**Table 2. Unipolar Binary Code Table**

DIGITAL INPUT MSB	LSB	ANALOG OUTPUT
1	1 1 1 1 1 1 1 1	$-V_{REF} \left( \frac{255}{256} \right)$
1	0 0 0 0 0 0 0 1	$-V_{REF} \left( \frac{129}{256} \right)$
1	0 0 0 0 0 0 0 0	$-V_{REF} \left( \frac{128}{256} \right) = -\frac{V_{REF}}{2}$
0	1 1 1 1 1 1 1 1	$-V_{REF} \left( \frac{127}{256} \right)$
0	0 0 0 0 0 0 0 1	$-V_{REF} \left( \frac{1}{256} \right)$
0	0 0 0 0 0 0 0 0	$-V_{REF} \left( \frac{0}{256} \right) = 0$

NOTE: 1 LSB =  $(2^{-8})(V_{REF}) = \frac{1}{256}(V_{REF})$

**Table 3. Bipolar (Offset Binary) Code Table**

DIGITAL INPUT MSB	LSB	ANALOG OUTPUT
1	1 1 1 1 1 1 1 1	$+V_{REF} \left( \frac{127}{128} \right)$
1	0 0 0 0 0 0 0 1	$+V_{REF} \left( \frac{1}{128} \right)$
1	0 0 0 0 0 0 0 0	0
0	1 1 1 1 1 1 1 1	$-V_{REF} \left( \frac{1}{128} \right)$
0	0 0 0 0 0 0 0 1	$-V_{REF} \left( \frac{127}{128} \right)$
0	0 0 0 0 0 0 0 0	$-V_{REF} \left( \frac{128}{128} \right)$

NOTE: 1 LSB =  $(2^{-7})(V_{REF}) = \frac{1}{128}(V_{REF})$



Figure 3. MAX5480 Functional Diagram



- NOTES:
1. FOR THE MAX5480, ALL INPUT SIGNAL RISE AND FALL TIMES ARE MEASURED FROM 10% TO 90% OF  $V_{DD}$ .  $V_{DD} = +5V$ ,  $t_r = t_f = 20ns$ .
  2. TIMING MEASUREMENT REFERENCE LEVEL IS  $(V_{IH} + V_{IL}) / 2$ .

Figure 4. Write-Cycle Timing Diagram

# 8-Bit Parallel DAC in QSOP-16 Package

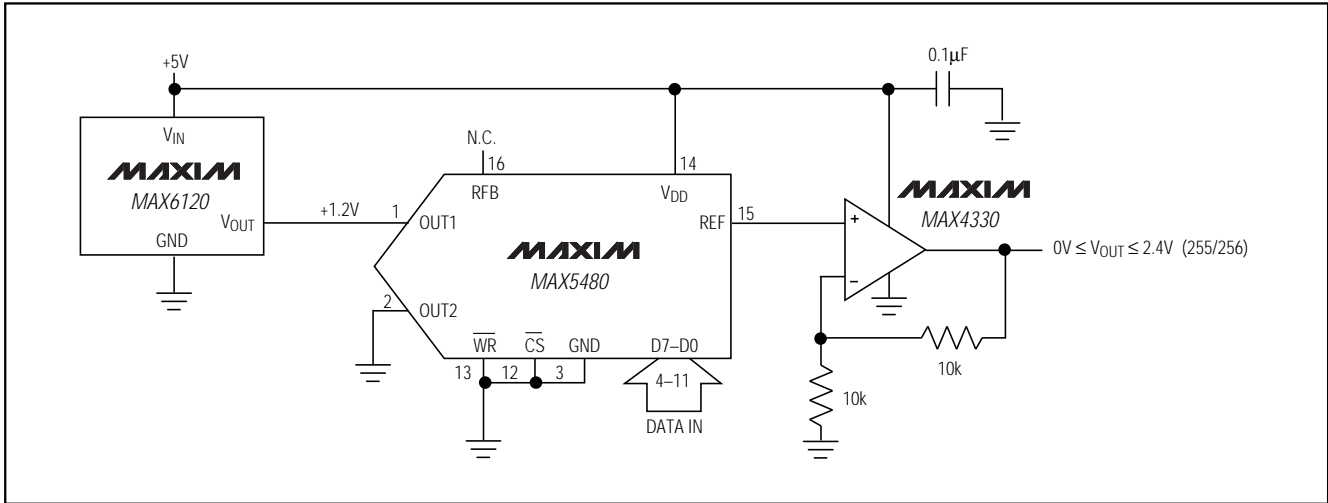


Figure 5. Single-Supply Voltage-Output Mode (Buffered)

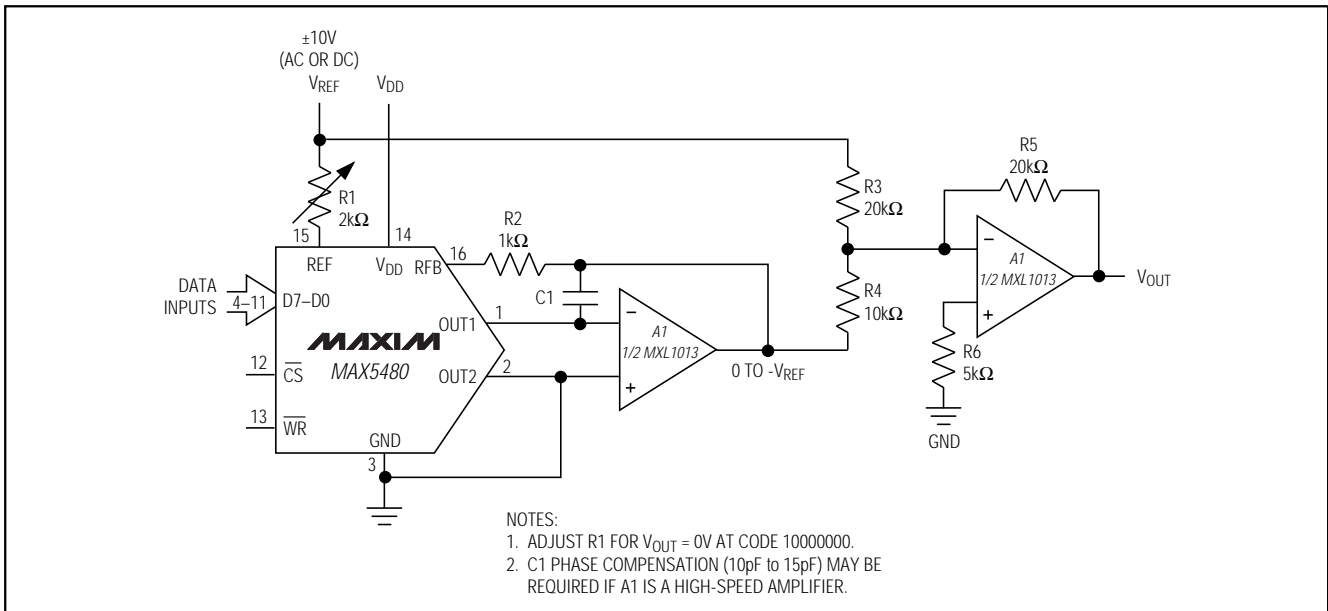


Figure 6. Bipolar (Four-Quadrant) Operation

Maxim cannot assume responsibility for use of any circuitry other than circuitry entirely embodied in a Maxim product. No circuit patent licenses are implied. Maxim reserves the right to change the circuitry and specifications without notice at any time.

6 Maxim Integrated Products, 120 San Gabriel Drive, Sunnyvale, CA 94086 408-737-7600

## Данный компонент на территории Российской Федерации

### Вы можете приобрести в компании MosChip.

Для оперативного оформления запроса Вам необходимо перейти по данной ссылке:

<http://moschip.ru/get-element>

Вы можете разместить у нас заказ для любого Вашего проекта, будь то серийное производство или разработка единичного прибора.

В нашем ассортименте представлены ведущие мировые производители активных и пассивных электронных компонентов.

Нашей специализацией является поставка электронной компонентной базы двойного назначения, продукции таких производителей как XILINX, Intel (ex.ALTERA), Vicor, Microchip, Texas Instruments, Analog Devices, Mini-Circuits, Amphenol, Glenair.

Сотрудничество с глобальными дистрибьюторами электронных компонентов, предоставляет возможность заказывать и получать с международных складов практически любой перечень компонентов в оптимальные для Вас сроки.

На всех этапах разработки и производства наши партнеры могут получить квалифицированную поддержку опытных инженеров.

Система менеджмента качества компании отвечает требованиям в соответствии с ГОСТ Р ИСО 9001, ГОСТ РВ 0015-002 и ЭС РД 009

### Офис по работе с юридическими лицами:

105318, г.Москва, ул.Щербаковская д.3, офис 1107, 1118, ДЦ «Щербаковский»

Телефон: +7 495 668-12-70 (многоканальный)

Факс: +7 495 668-12-70 (доб.304)

E-mail: [info@moschip.ru](mailto:info@moschip.ru)

Skype отдела продаж:

moschip.ru

moschip.ru\_4

moschip.ru\_6

moschip.ru\_9