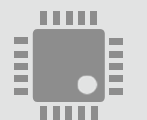
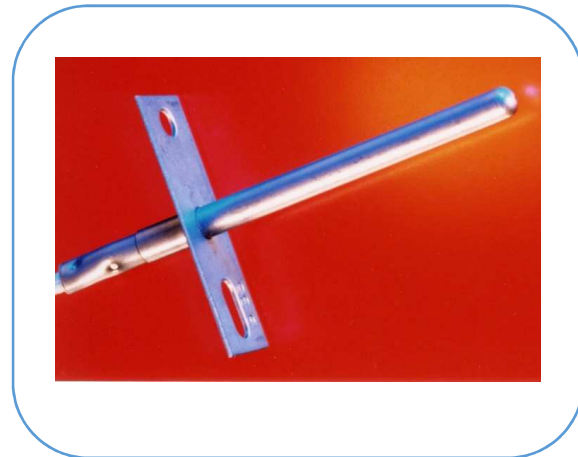


## Oven Temperature Sensor



Platinum RTD sensor enclosed in closed-end stainless steel housing with integral mounting flange, fiberglass insulated lead wires.

### Applications

- Oven temperature
- Heating, ventilating, and air conditioning
- General purpose temperature sensing

### Features

- Flanged housing allows for easy mounting
- Standard design widely used in cooking ovens
- Available in Pt100 or Pt1000 resistance values
- Pt1000 available in TC3750 or TC3850
- +500°C maximum operating temperature

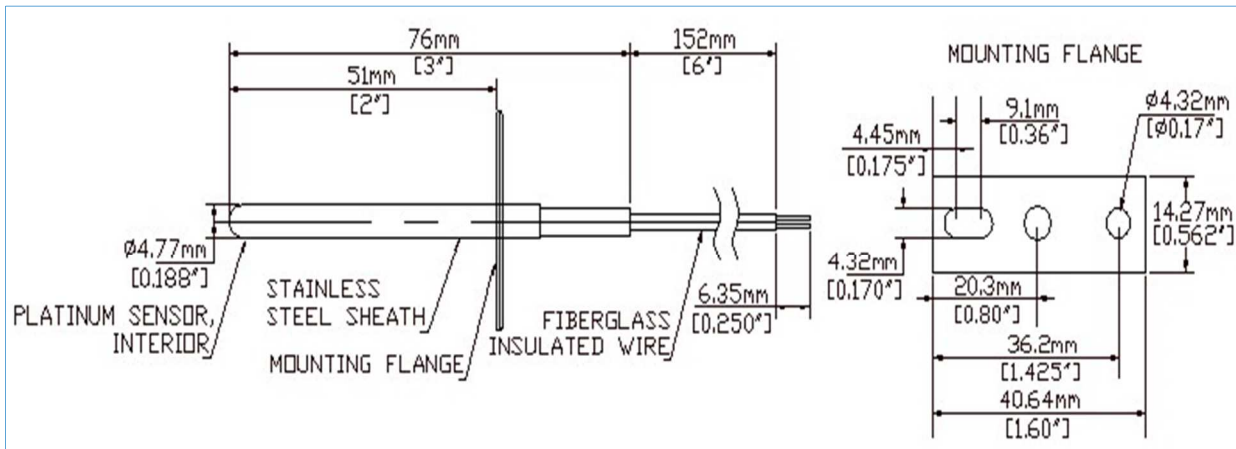
## Heraeus Sensor Technology

[www.heraeus-sensor-technology.com](http://www.heraeus-sensor-technology.com)

This data sheet does not constitute an offer or agreement to sell any product. Heraeus believes the information contained in this data sheet is accurate as of the version date. HOWEVER, NO REPRESENTATION OR WARRANTY OF ANY KIND, EXPRESS OR IMPLIED, IS MADE CONCERNING THE INFORMATION HEREIN PROVIDED OR THE PRODUCT TO WHICH THE INFORMATION REFERS. Heraeus does not accept legal responsibility for the use of this information. The information contained herein may not be valid for such product used in combination with any other materials, products, or in any process. It is the user's responsibility to satisfy itself that the product is suitable for the intended use.

Revision Date: 09/26

## Oven Temperature Sensor Specifications



For 3 wire assemblies, one wire is marked to show polarity

Dimensions are in mm unless otherwise noted

### Specifications

#### Operating Temperature Range

-40°C to +500°C

#### Connection wire

Fiberglass-insulated, 2x0.22mm<sup>2</sup>  
(24AWG)

Pt100: 3 wire connection (one wire marked to indicate polarity)

Pt1000: 2 wire connection

#### Temperature sensing element

Platinum RTD, Pt100 or Pt1000, as per  
DIN EN 60751 F0.3

#### Housing

Stainless steel, 300 series

#### Wire resistance

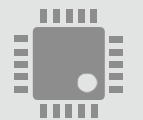
0.030 $\Omega$ /ft. (0.098 $\Omega$ /m) for each conductor

### Heraeus Sensor Technology

[www.heraeus-sensor-technology.com](http://www.heraeus-sensor-technology.com)

This data sheet does not constitute an offer or agreement to sell any product. Heraeus believes the information contained in this data sheet is accurate as of the version date. HOWEVER, NO REPRESENTATION OR WARRANTY OF ANY KIND, EXPRESS OR IMPLIED, IS MADE CONCERNING THE INFORMATION HEREIN PROVIDED OR THE PRODUCT TO WHICH THE INFORMATION REFERS. Heraeus does not accept legal responsibility for the use of this information. The information contained herein may not be valid for such product used in combination with any other materials, products, or in any process. It is the user's responsibility to satisfy itself that the product is suitable for the intended use.

Revision Date: 09/26



## Oven Temperature Sensor

### Options

Wire length

Resistance value

Connectors

### Ordering Code for Standard Product

Pt100 TC3850 (3 wire): 35110020

Pt1000 TC3850 (2 wire): 35110021

Pt1000 TC3750 (2 wire): 35110022

### Resistance vs Temperature Table

Reference tables @ [https://www.heraeus.com/en/hst/technical\\_information/technical\\_information\\_hst.aspx](https://www.heraeus.com/en/hst/technical_information/technical_information_hst.aspx)

### Contact Information

#### Heraeus Sensor Technology USA

770 Township Line Road, Suite 300 Yardley, PA 19067 USA

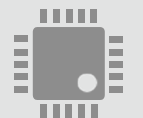
Phone: 1-215-944-9010 | Fax: 1-215-944-9392 | E-mail: [info.hst-us@heraeus.com](mailto:info.hst-us@heraeus.com) | Web: [www.heraeus-sensor-technology.com](http://www.heraeus-sensor-technology.com)

### Heraeus Sensor Technology

[www.heraeus-sensor-technology.com](http://www.heraeus-sensor-technology.com)

This data sheet does not constitute an offer or agreement to sell any product. Heraeus believes the information contained in this data sheet is accurate as of the version date. HOWEVER, NO REPRESENTATION OR WARRANTY OF ANY KIND, EXPRESS OR IMPLIED, IS MADE CONCERNING THE INFORMATION HEREIN PROVIDED OR THE PRODUCT TO WHICH THE INFORMATION REFERS. Heraeus does not accept legal responsibility for the use of this information. The information contained herein may not be valid for such product used in combination with any other materials, products, or in any process. It is the user's responsibility to satisfy itself that the product is suitable for the intended use.

Revision Date: 09/26



## Данный компонент на территории Российской Федерации

### Вы можете приобрести в компании MosChip.

Для оперативного оформления запроса Вам необходимо перейти по данной ссылке:

<http://moschip.ru/get-element>

Вы можете разместить у нас заказ для любого Вашего проекта, будь то серийное производство или разработка единичного прибора.

В нашем ассортименте представлены ведущие мировые производители активных и пассивных электронных компонентов.

Нашей специализацией является поставка электронной компонентной базы двойного назначения, продукции таких производителей как XILINX, Intel (ex.ALTERA), Vicor, Microchip, Texas Instruments, Analog Devices, Mini-Circuits, Amphenol, Glenair.

Сотрудничество с глобальными дистрибьюторами электронных компонентов, предоставляет возможность заказывать и получать с международных складов практически любой перечень компонентов в оптимальные для Вас сроки.

На всех этапах разработки и производства наши партнеры могут получить квалифицированную поддержку опытных инженеров.

Система менеджмента качества компании отвечает требованиям в соответствии с ГОСТ Р ИСО 9001, ГОСТ РВ 0015-002 и ЭС РД 009

### Офис по работе с юридическими лицами:

105318, г.Москва, ул.Щербаковская д.3, офис 1107, 1118, ДЦ «Щербаковский»

Телефон: +7 495 668-12-70 (многоканальный)

Факс: +7 495 668-12-70 (доб.304)

E-mail: [info@moschip.ru](mailto:info@moschip.ru)

Skype отдела продаж:

moschip.ru

moschip.ru\_4

moschip.ru\_6

moschip.ru\_9