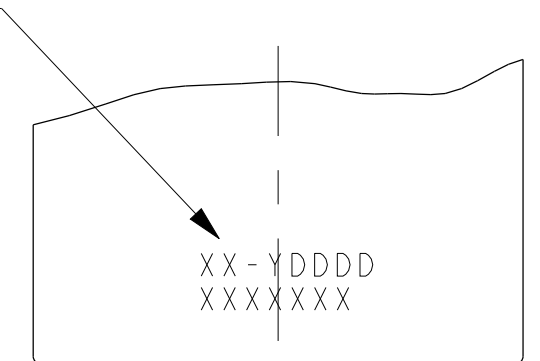
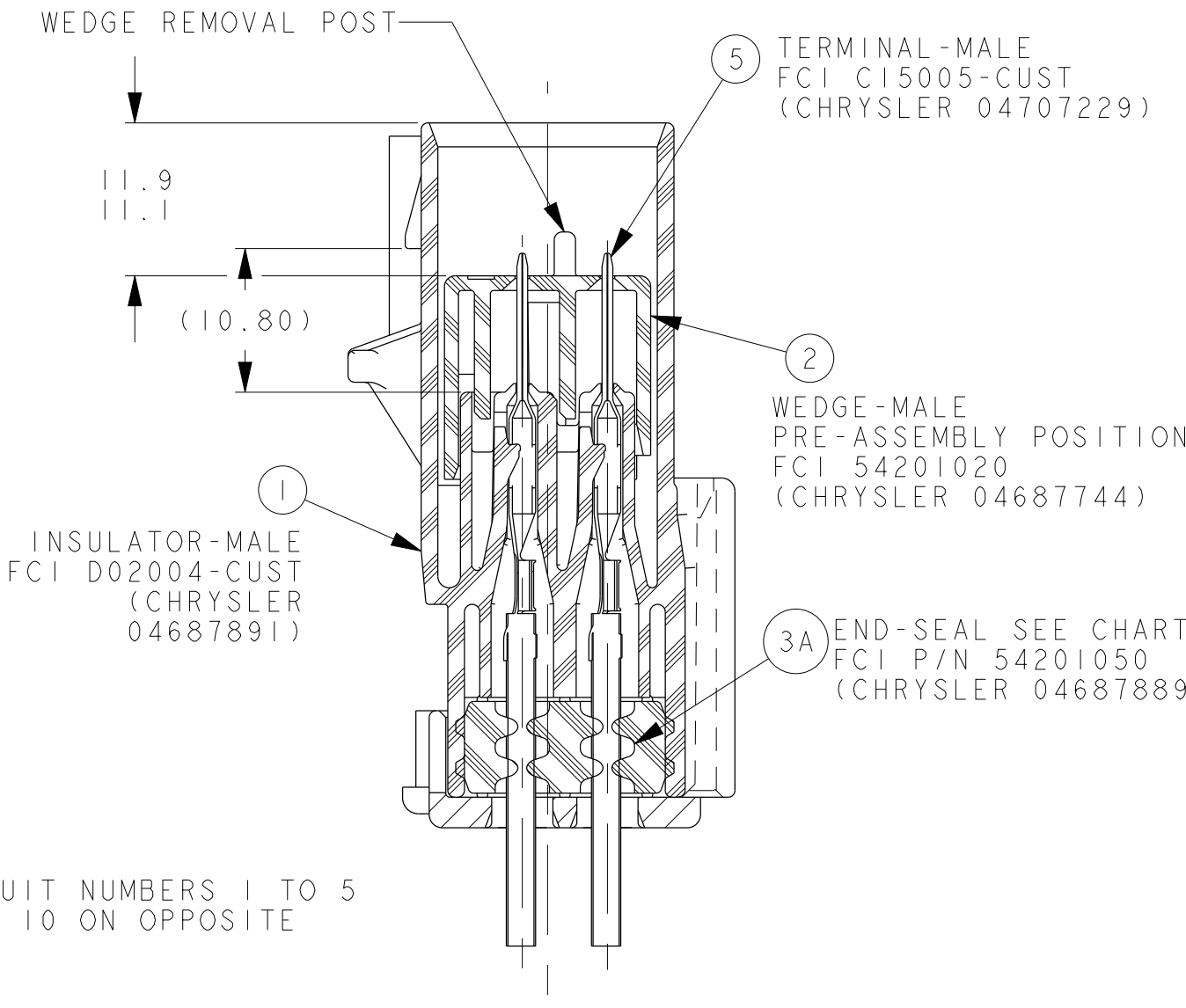
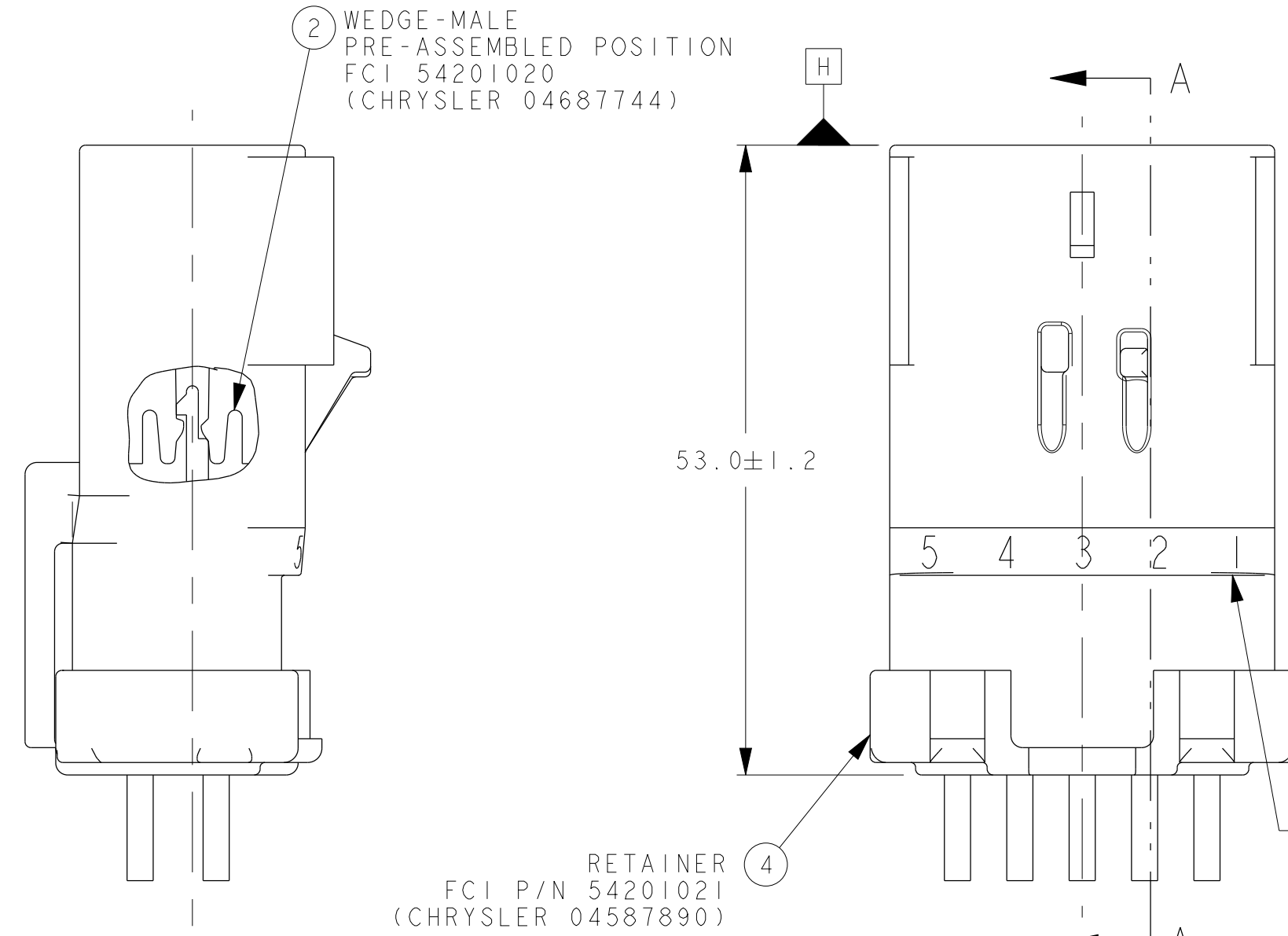
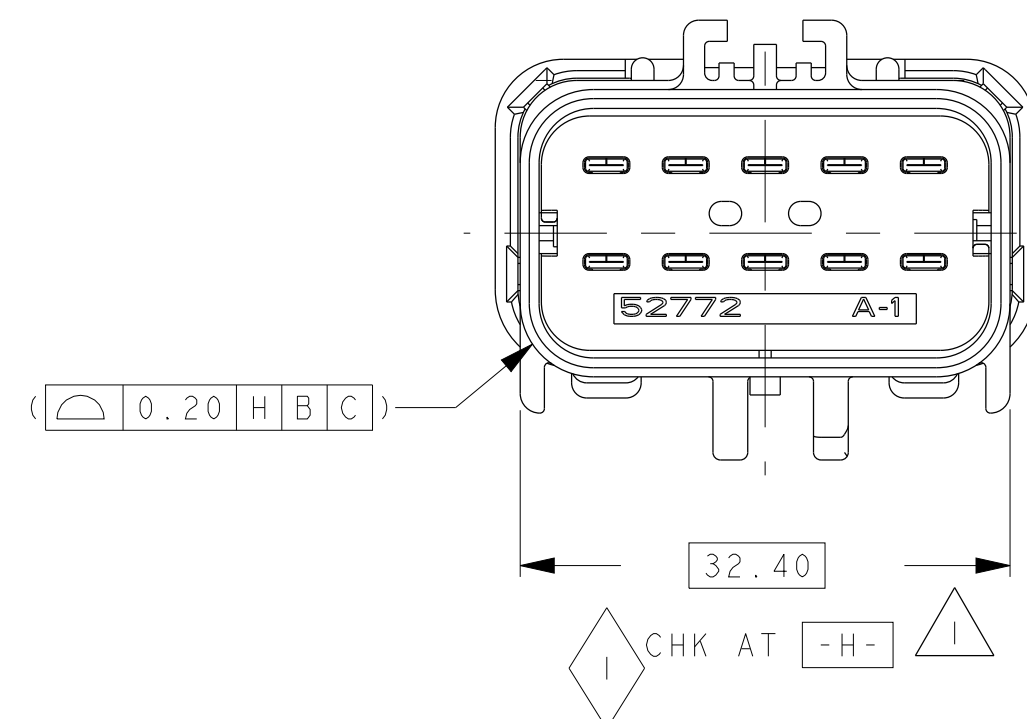


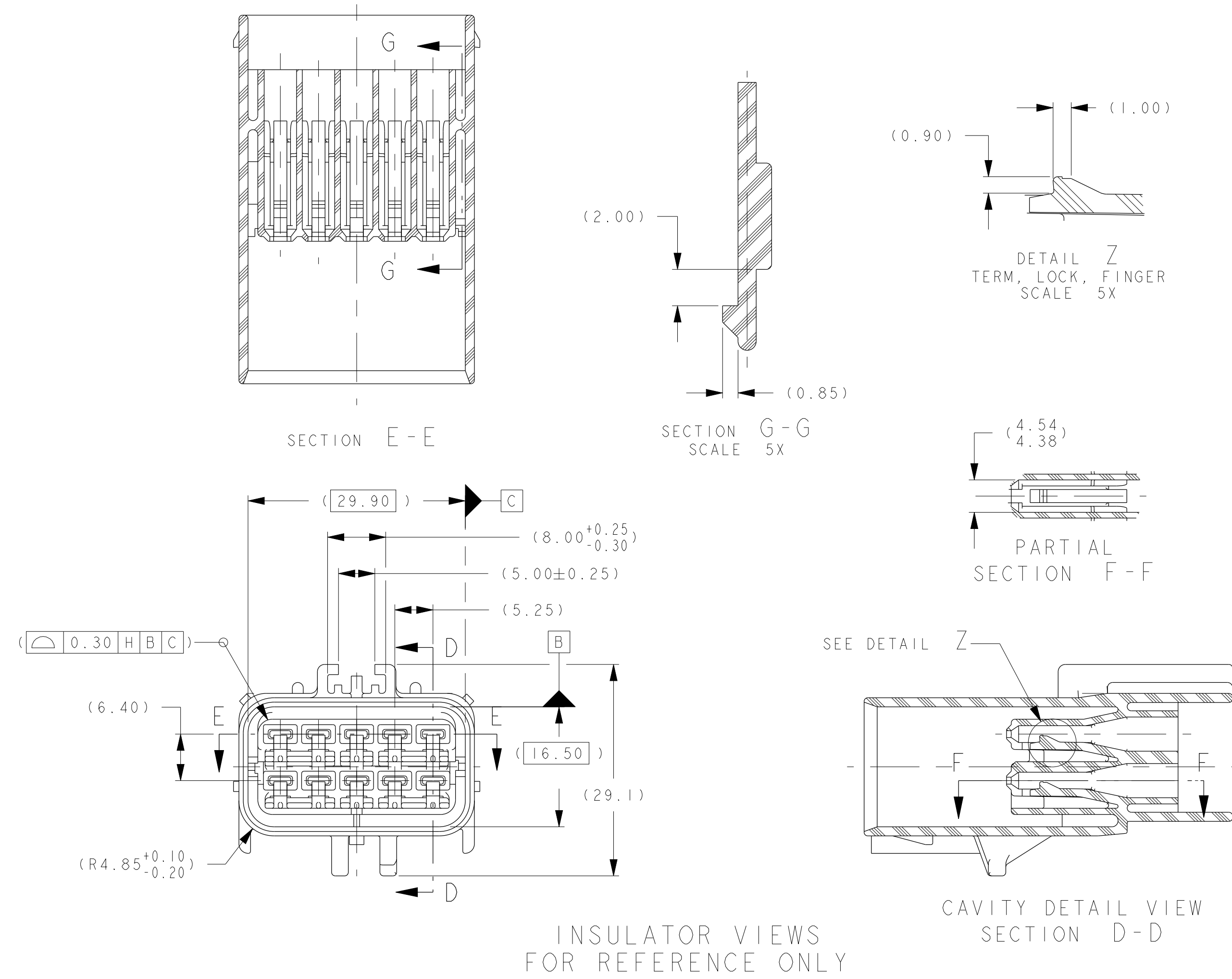
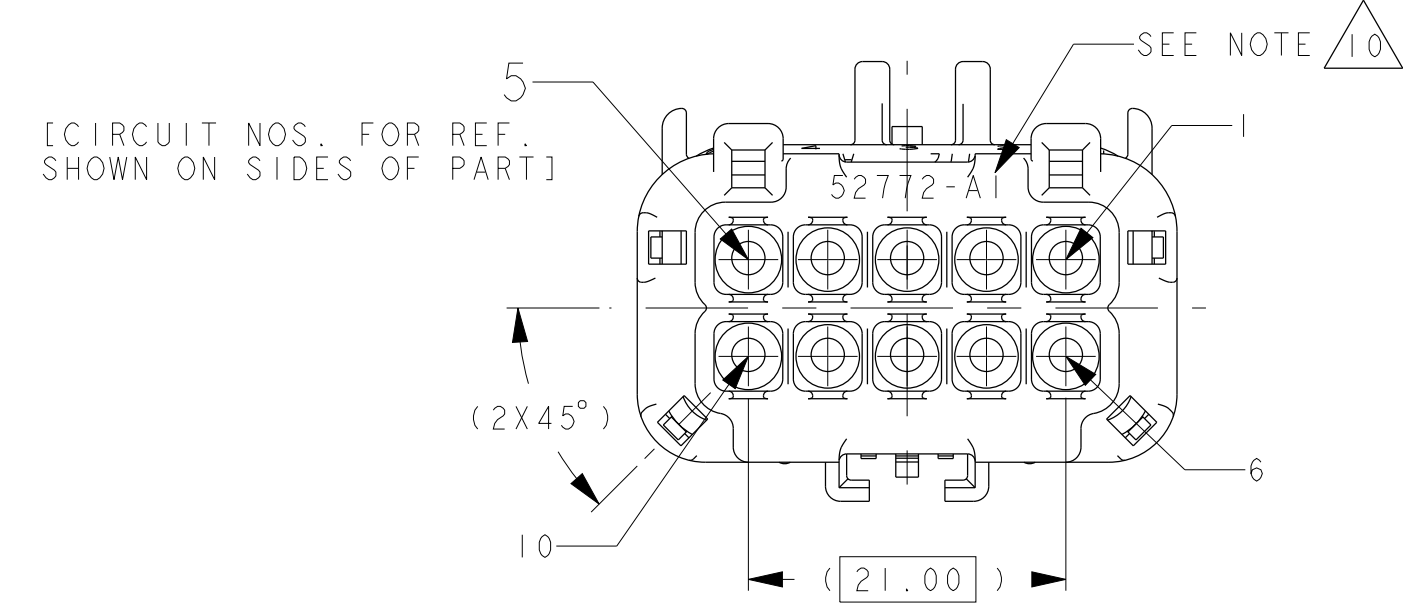
LAST 6 DIGITS OF P/N & PART CHANGE LEVEL (PCL), MFG. DAILY DATE CODE & ASSY MACHINE NO. LETTERING MUST BE LEGIBLE. OPTIONAL



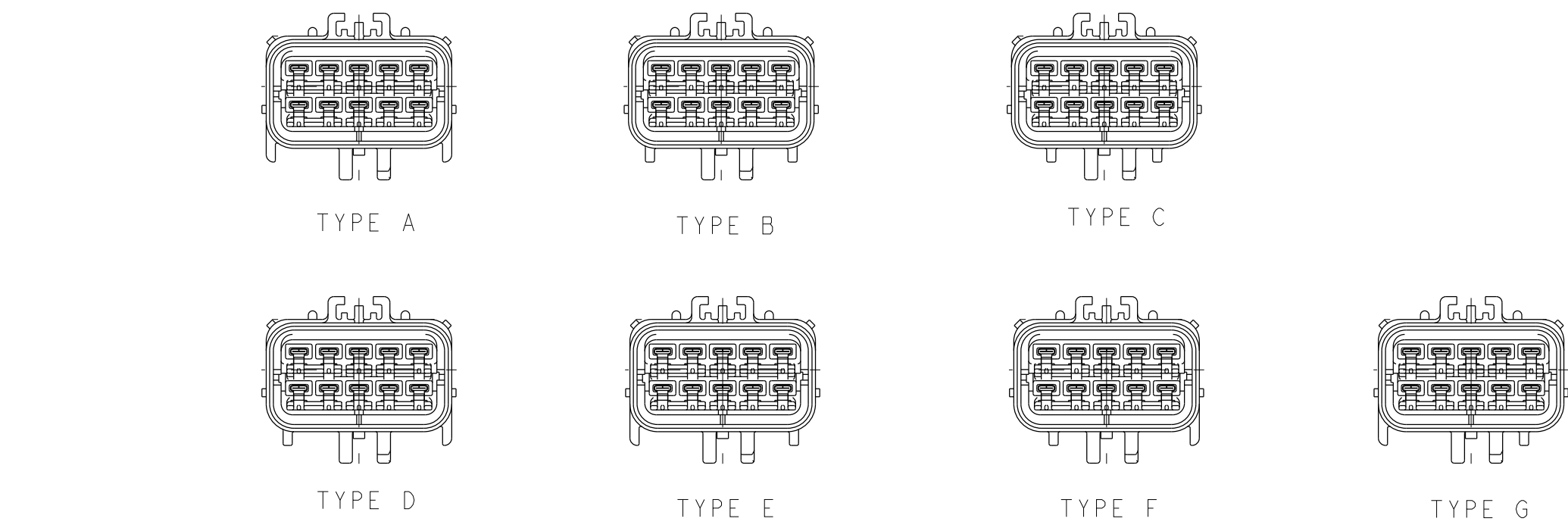
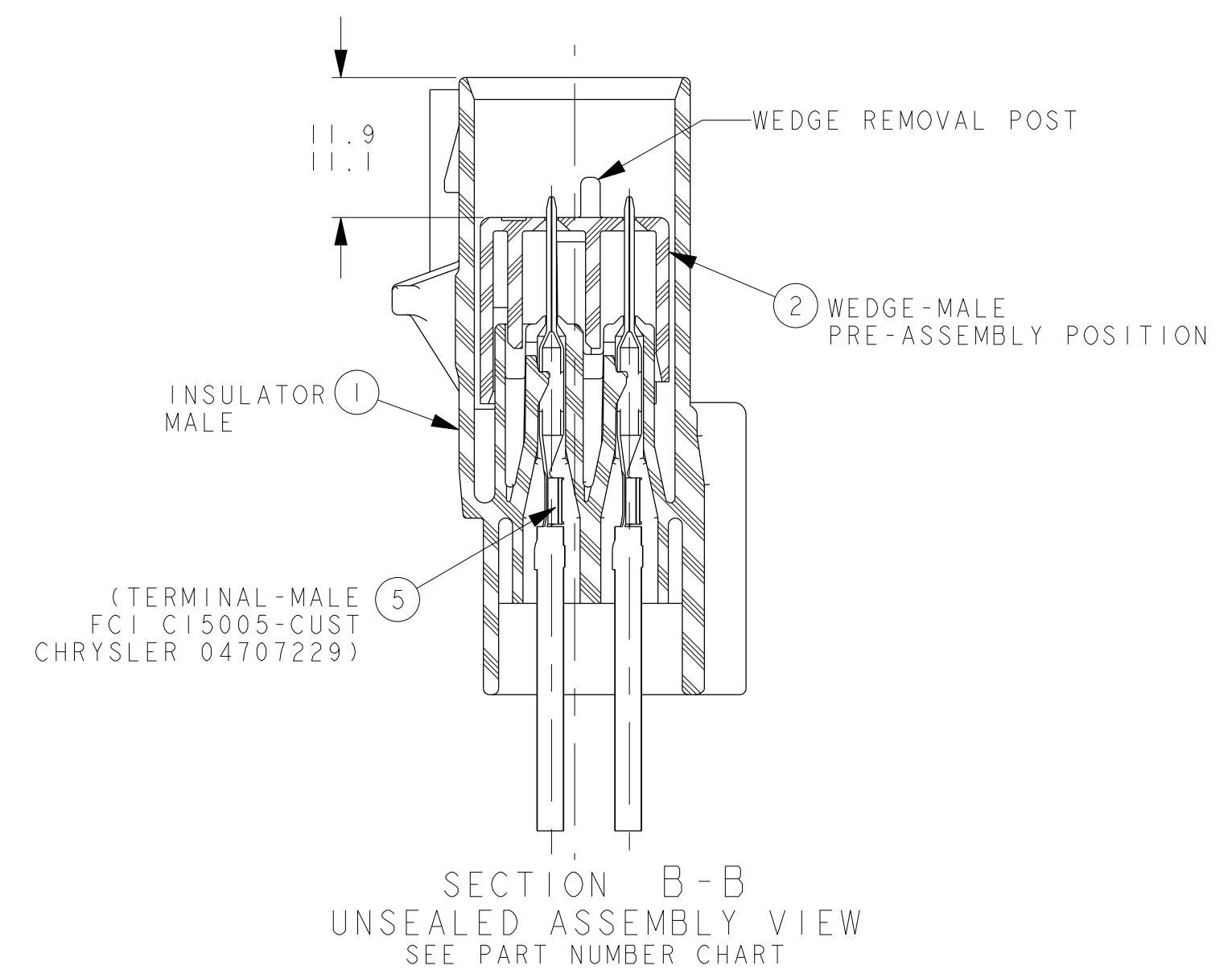
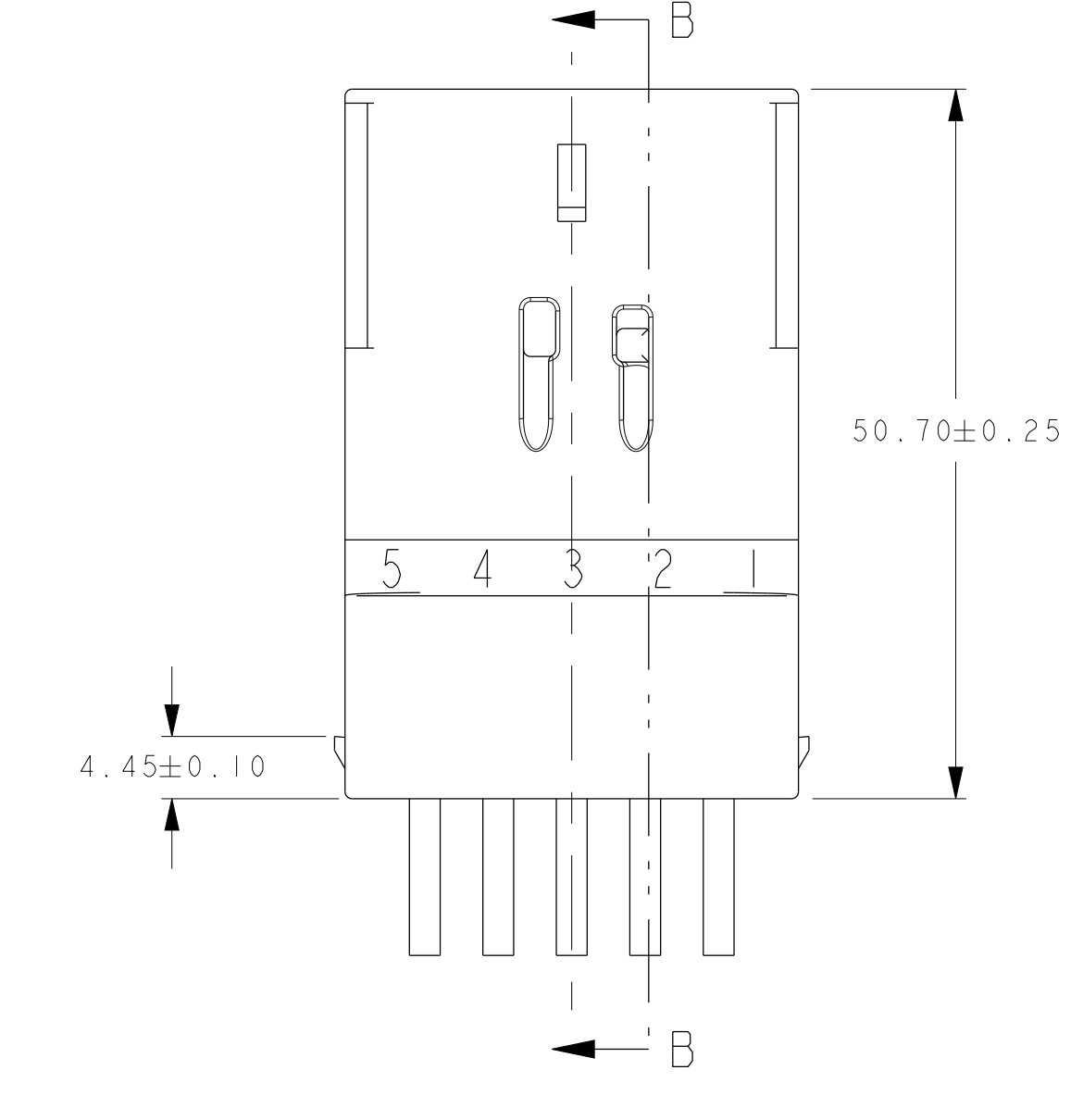
PARTIAL SIDE VIEW



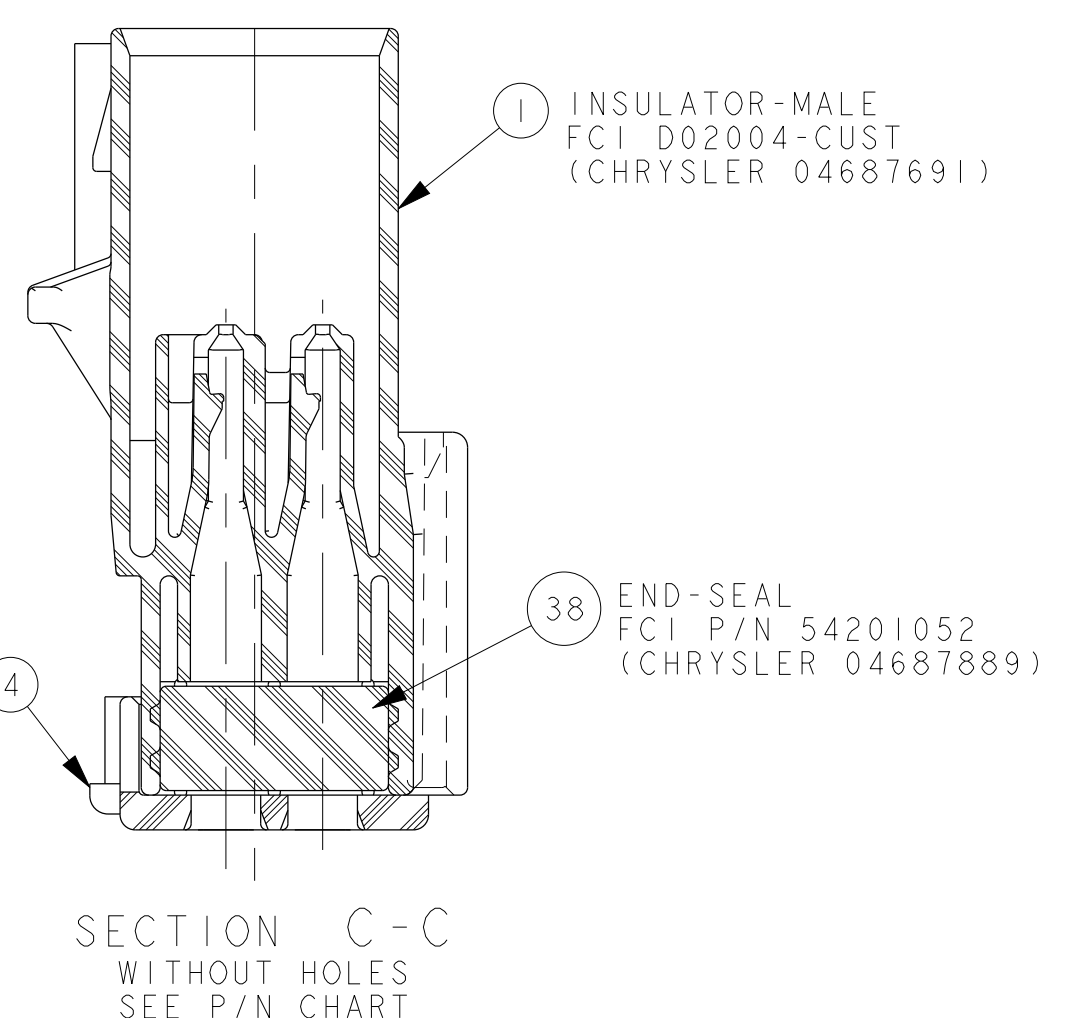
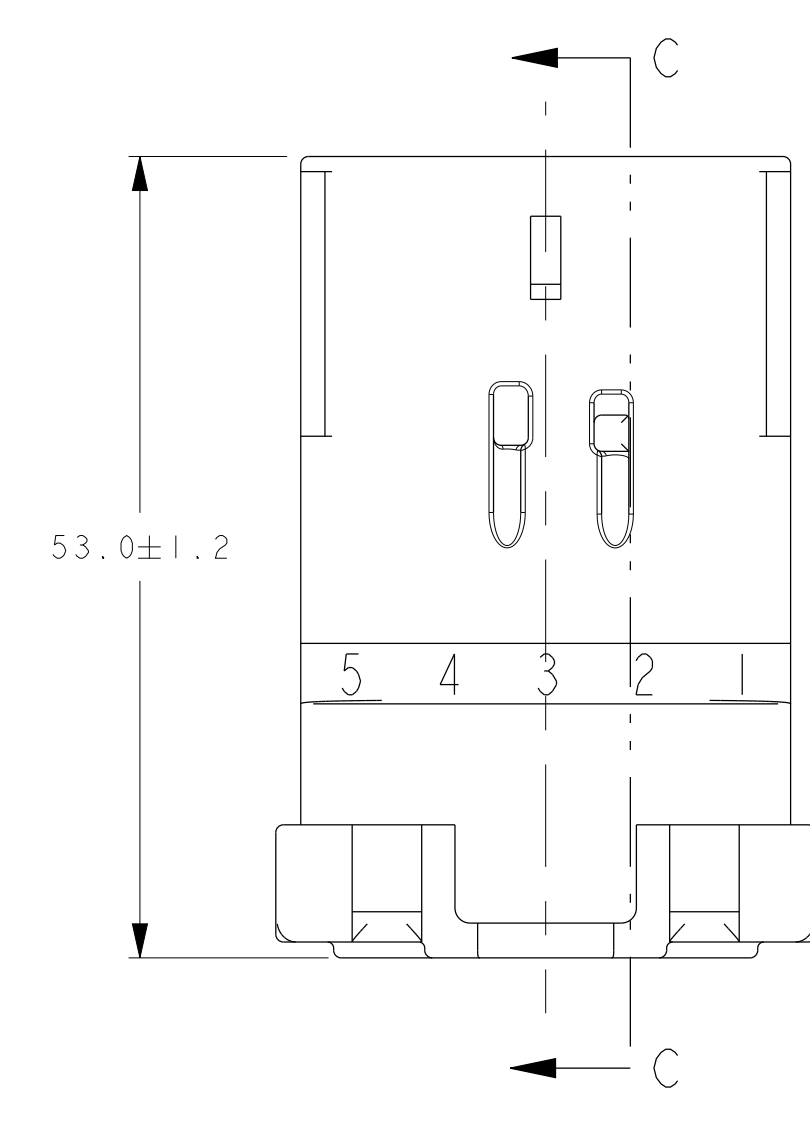
SECTION A-A SEALED ASSEMBLY VIEW SEE PART NUMBER CHART



INSULATOR VIEWS FOR REFERENCE ONLY



POLARIZATION OPTIONS FULL SIZE



SECTION C-C WITHOUT HOLES SEE P/N CHART

MATING PART NUMBERS CHART

INDEX TYPE	COLOR	SEALED/UNSEALED	FCI (CHRYSLER)	YNA	FCI (CHRYSLER)	YNA	FCI (CHRYSLER)	YNA	
G	LT BROWN	SEALED	54201042	N/A	N/A	54201043N	N/A	N/A	
		SEALED	54201042	04868047AA	N/A	54201043	04868049AA	N/A	
		SEALED	DIRECT CONNECT APPLICATION		*54201063	N/A	N/A	N/A	
F	AQUA	UNSEALED	DIRECT CONNECT APPLICATION		54201005M	N/A	N/A	N/A	
		UNSEALED	DIRECT CONNECT APPLICATION		54201005	04687905	7283-4809-90	N/A	
		SEALED	DIRECT CONNECT APPLICATION		54201015N	N/A	N/A	N/A	
E	DK GRN	SEALED	DIRECT CONNECT APPLICATION		54201015	04687899	7283-4806-90	N/A	
		UNSEALED	DIRECT CONNECT APPLICATION		54201003N	N/A	N/A	N/A	
		UNSEALED	DIRECT CONNECT APPLICATION		54201003	04687904	7283-4808-60	N/A	
D	ORANGE	SEALED	DIRECT CONNECT APPLICATION		54201013N	N/A	N/A	N/A	
		SEALED	DIRECT CONNECT APPLICATION		54201013	04687898	7283-4805-60	N/A	
		UNSEALED	DIRECT CONNECT APPLICATION		54201004N	N/A	N/A	N/A	
C	DK GREY	UNSEALED	DIRECT CONNECT APPLICATION		54201004	04687903	7283-4807-50	N/A	
		SEALED	DIRECT CONNECT APPLICATION		54201014N	N/A	N/A	N/A	
		SEALED	DIRECT CONNECT APPLICATION		54201014	04687897	7283-4804-50	N/A	
B	LT GREY	SEALED	DIRECT CONNECT APPLICATION		54201011N	N/A	N/A	N/A	
		SEALED	DIRECT CONNECT APPLICATION		54201011	04801117	7229-2829-40	N/A	
		SEALED	DIRECT CONNECT APPLICATION		*54201023N	N/A	N/A	N/A	
A	BLACK	SEALED	DIRECT CONNECT APPLICATION		*54201023	04801112	7223-1609-40	N/A	
		UNSEALED	54201008	N/A	N/A	54201002N	N/A	N/A	
		UNSEALED	54201008	04687911	7222-1009-60	54201002	04687902	7223-1109-60	N/A
A	BLACK	SEALED	54201018	N/A	N/A	54201012N	N/A	N/A	
		SEALED	54201018	04687908	N/A	54201012	04687896	7283-4803-60	N/A
		SEALED	DIRECT CONNECT APPLICATION		*54201062	N/A	N/A	N/A	
A	BLACK	UNSEALED	54201007	N/A	N/A	54201001N	N/A	N/A	
		UNSEALED	54201007	04687910	N/A	54201001	04687901	7283-4802-40	N/A
		SEALED	54201017	N/A	N/A	54201010N	N/A	N/A	N/A
A	BLACK	SEALED	54201017	04687907	7282-4605-40	54201010	04687895	7283-4605-40	N/A
		SEALED	54201024	04688875	N/A	54201010	04687895	7283-4605-40	N/A
		UNSEALED	54201006	N/A	N/A	54201000N	N/A	N/A	N/A
A	BLACK	UNSEALED	54201006	04687909	N/A	54201000	04687900	7283-4606-30	N/A
		SEALED	54201016	04687906	7222-7406-30	54201009	04687894	7223-1605-30	N/A
		SEALED	54201016	04687906	7222-7406-30	*54201022N	04707443	7283-4801-30	N/A
A	BLACK	SEALED	54201016	04687906	7222-7406-30	*54201054	04759589AA	7283-4901-30	N/A
		SEALED	54201058	56045040AA	N/A	*54201054	04759589AA	7283-4901-30	N/A
		SEALED	54201016	04687906	7222-7406-30	54201056N	N/A	7283-4608-30	N/A
INDEX TYPE	COLOR	SEALED/UNSEALED	DIRECT CONNECT APPLICATION		54201051N	04707404	N/A	N/A	
			FCI (CHRYSLER)	YNA	FCI (CHRYSLER)	YNA			

ASSEMBLY PART NUMBERS CHART

FCI P/N'S	YNA P/N'S		FCI P/N'S	YNA P/N'S	
	UNSEALED	SEALED		UNSEALED	SEALED
54201006	04687909	N/A	54201016	04687906	7222-7406-30
54201007	04687910	N/A	54201017	04687907	7222-4605-40
54201008	04687911	7222-1009-60	54201018	04687908	N/A
			54201024	04688875	N/A
			54201058	56045040AA	N/A
			54201059	04688866AA	N/A

REQUIRED	REQUIRED	CHRYSLER P/N'S	FCI P/N	PART NAME; MATERIAL; COLOR
I	I	①	04687754	54201034 INSULATOR INDEX A; PA66GF; BLK
I	I I I	①	04687969	54201035 INSULATOR INDEX B; PA66GF; LT GRN
I	I I I I	①	04687970	54201036 INSULATOR INDEX C; PA66GF; DK GRN
		①	04868046AA	54201040 INSULATOR INDEX D; PA66GF; NATURAL
I I I I	I I I I I	②	04687744	54201020 WEDGE (TPA); PA66GF; RED
	I I I I I	③A	04687963	54201050 END SEAL; SILICONE; DK BLUE
	I I I I I I	③B	N/A	54201052 END SEAL NO HOLES; SILICONE; BRT YLO
		④	04687750	54201021 RETAINER; PA66GF BLK

CONNECTOR ASSEMBLY TEMPERATURE CLASS PER SAE/USCAR-2 REV 5
PART CHANGE LEVEL (PCL)

NOTES:

- ① QUALITY ASSURANCE REQUIREMENTS PER CHRYSLER PS-7300: 1 SPC DATA REQUIRED
- ② ENGINEERING APPROVAL OF SUPPLIER SAMPLES IS REQUIRED PRIOR TO AUTHORIZATION OF PART PRODUCTION
- ③ CHANGES IN DESIGN COMPOSITION OR PROCESSING FROM THE PART PREVIOUSLY APPROVED FOR PART PRODUCTION REQUIRES PRIOR ENGINEERING APPROVAL
- ④ WIRING FABRICATORS MUST PURCHASE FROM SOURCES SHOWN
- ⑤ ALL THE SEALED CONNECTOR APPLICATIONS MUST BE USED WITH CHRYSLER WIRE SPEC. MS-8288 OR MS-9502 THIN WALL X-LINK 20, 18, 16, 14, & 12 GAGE WIRES ONLY UNLESS OTHERWISE SPECIFIED (WIRE INSULATIONS Ø1.70 MIN TO Ø3.35 MAX) ISO THINWALL EQUIVALENTS PERMISSIBLE
- ⑥ ALL NON-SEALED APPLICATIONS MAY BE USED WITH ANY WIRE INSULATION 22 GAGE THRU 10 GAGE (EXCEPT AS NOTED) PROVIDING THAT A TERMINAL GRIP FOR THAT CORE/INSULATION COMBINATION IS SHOWN ON THE MALE TERMINAL DRAWING ISO THINWALL EQUIVALENTS PERMISSIBLE
MAX. INSULATION CRIMP WIDTH = 4.50
MAX. INSULATION CRIMP HEIGHT = 4.50
MAX. INSULATION DIA. = 4.09 (10 GA THIN WALL)
- ⑦ USE WITH FOLLOWING APPLICABLE COMPONENTS AS NOTED:
CAVITY PLUS FCI P/N 54200005 (CHRYSLER P/N 56038308)
DOUBLE X-MAS TREE CLIP CHRYSLER P/N 04707091
SINGLE X-MAS TREE CLIP CHRYSLER P/N 04625797
DOUBLE X-MAS TREE CLIP WITH FORWARD STOP FCI P/N 54200010
2.80MM APEX MALE TERM C15005-CUST SYM. ABOUT CENTERLINE FOR 180° ORIENTATION
- ⑧ DIRECT CONNECT INTERFACE PER FCI G3610 (CHRYSLER 04707028)
- ⑨ TEST METHOD PER CHRYSLER PERFORMANCE SPEC# PF-9600, CONNECTOR ENGAGE & DISENGAGE WITH LATCH DEPRESSED FORCE NOT TO EXCEED 120N. FOR THIS SYSTEM
WEDGE SEATING FORCES - 100 N. MAX
X-MAS TREE CLIP INSERTION FORCES - 75 N. MAX
- ⑩ SUPPLIER, MOLD & CAVITY I.D. SIGNIFIES TOOL OWNERSHIP, FOR REFERENCE
- ⑪ ANNUAL QUALITY REQUIREMENTS:
IT IS PERMISSIBLE TO PERFORM ANNUAL CONTINUOUS CONFORMANCE PER FCI SPECIFICATION 80A0-001 INSTEAD OF ANNUAL LAYOUT & ANNUAL PV REQUIREMENTS OF QS-9000 SECTION 2 & SAE/USCAR-2 REV 5
ALL NON-REFERENCE DIMENSIONS ARE REQUIRED
- USE INDEX A, BLACK SEALED AND UNSEALED FOR ALL AFFECTED INSULATOR CAVITIES
- CURRENT PRODUCTION TOOLING
- POINT OF LAST RUN
SERVICE TOOLING GUIDE INFORMATION PER APEX TRAINING MANUAL
MUST CONFORM TO THE FOLLOWING CHRYSLER /YNA STANDARDS:
PF-9600 PERFORMANCE (CHRYSLER) EXCEPT AS NOTED ABOVE
PS-7300 QUALITY ASSURANCE (CHRYSLER)
MS-9502 SEAL APPL. 150° C
MS-8288 SEDL APPL. 125° C
PS-9227 DATA EXCHANGE (CHRYSLER), (GD09-7 YNA)
PS-10052 INFORMATION SECURITY (CHRYSLER)
- ⑫ THIS DRAWING (H59015) REPLACES CHRYSLER DRAWING 04687873 LEVEL "N"
CHRYSLER DRAWING NUMBER IS FOR REFERENCE ONLY (NOT AVAILABLE)

REV. NO.	ZONE	DESCRIPTION	DATE	BY	CHKD BY	APP'D BY
12-00659	ALL	REVISED & REDRAWN IN PDS. SEE REV Q1 FOR PREVIOUS CHANGES NOTES AND ASSEMBLY P/N CHARTS UPDATED				

Данный компонент на территории Российской Федерации

Вы можете приобрести в компании MosChip.

Для оперативного оформления запроса Вам необходимо перейти по данной ссылке:

<http://moschip.ru/get-element>

Вы можете разместить у нас заказ для любого Вашего проекта, будь то серийное производство или разработка единичного прибора.

В нашем ассортименте представлены ведущие мировые производители активных и пассивных электронных компонентов.

Нашей специализацией является поставка электронной компонентной базы двойного назначения, продукции таких производителей как XILINX, Intel (ex.ALTERA), Vicor, Microchip, Texas Instruments, Analog Devices, Mini-Circuits, Amphenol, Glenair.

Сотрудничество с глобальными дистрибьюторами электронных компонентов, предоставляет возможность заказывать и получать с международных складов практически любой перечень компонентов в оптимальные для Вас сроки.

На всех этапах разработки и производства наши партнеры могут получить квалифицированную поддержку опытных инженеров.

Система менеджмента качества компании отвечает требованиям в соответствии с ГОСТ Р ИСО 9001, ГОСТ РВ 0015-002 и ЭС РД 009

Офис по работе с юридическими лицами:

105318, г.Москва, ул.Щербаковская д.3, офис 1107, 1118, ДЦ «Щербаковский»

Телефон: +7 495 668-12-70 (многоканальный)

Факс: +7 495 668-12-70 (доб.304)

E-mail: info@moschip.ru

Skype отдела продаж:

moschip.ru

moschip.ru_4

moschip.ru_6

moschip.ru_9