

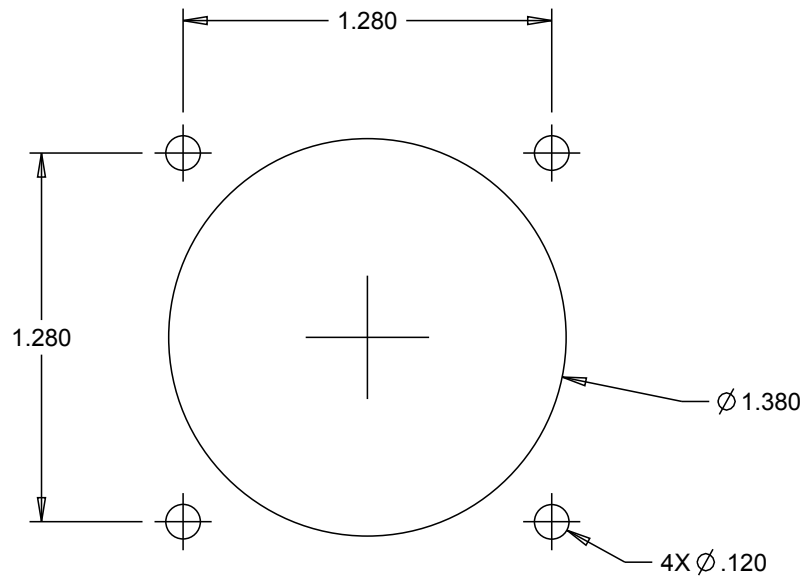
NOTES: (G)

- DRAWING TO BE INTERPRETED IN ACCORDANCE WITH THE CURRENT REVISION OF ASME Y14.5.
 - THIS PART/PRODUCT IS TO BE MANUFACTURED WITH THE LATEST APPLICABLE REGULATIONS OF EC DIRECTIVES FOR THE RESTRICTION OF THE USE OF HAZARDOUS SUBSTANCES IN ELECTRICAL AND ELECTRONIC EQUIPMENT (ROHS), WASTE ELECTRICAL AND ELECTRONIC EQUIPMENT (WEEE) AND REGISTRATION, EVALUATION, AUTHORIZATION AND RESTRICTION OF CHEMICALS (REACH)
- △ LABEL TO INCLUDE:
PART NUMBER
"OTTO 21649"
DATE CODE (YYYY)
- △ OUTPUTS ARE FROM THE CENTER TO THE FULL TRAVEL POSITION IN EACH DIRECTION.
OPTIONS "AA", "BB", "CC", "DD", "EE", "FF" PROVIDE INCREASED VOLTAGE IN +X, +Y; AND DECREASING VOLTAGE IN -X, -Y DIRECTION FROM ONE OUTPUT PER AXIS.
OPTIONS "GG" AND "HH" PROVIDE INCREASING VOLTAGES IN ALL DIRECTIONS (+X, +Y, -X, -Y) FROM 2 OUTPUTS PER AXIS.
△ OPTIONS "BB" AND "EE" PROVIDE REDUNDANT OUTPUT 2 WHICH DUPLICATES OUTPUT 1
OPTIONS "CC" AND "FF" PROVIDE REDUNDANT OUTPUT 2 WHICH IS INVERSE OF OUTPUT 1
△ FULL BOOT VERSION SHOWN AS DEFAULT. SEE PAGE 4 FOR ALTERNATIVE SWITCH/BOOT STYLES.
- △ GATED IS RESTRICTED MOVEMENT IN Y AXIS ONLY.
△ USE N FOR FULL BOOT, Z-AXIS, & NO PUSHBUTTON OPTIONS.
△ 1-9 USED ONLY FOR PUSHBUTTON OPTIONS.
NOT APPLICABLE IN Z-AXIS.

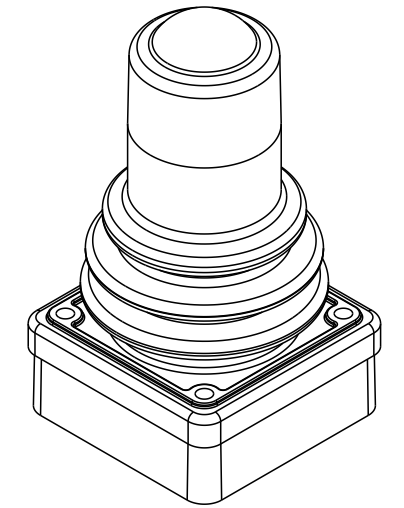
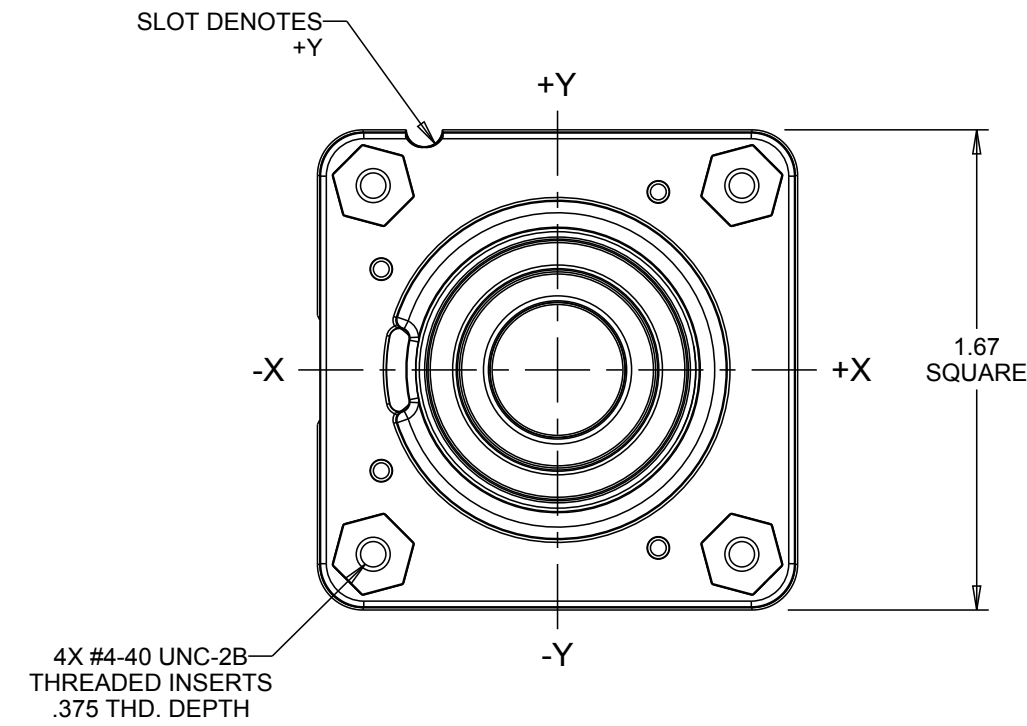
(G) JHT-



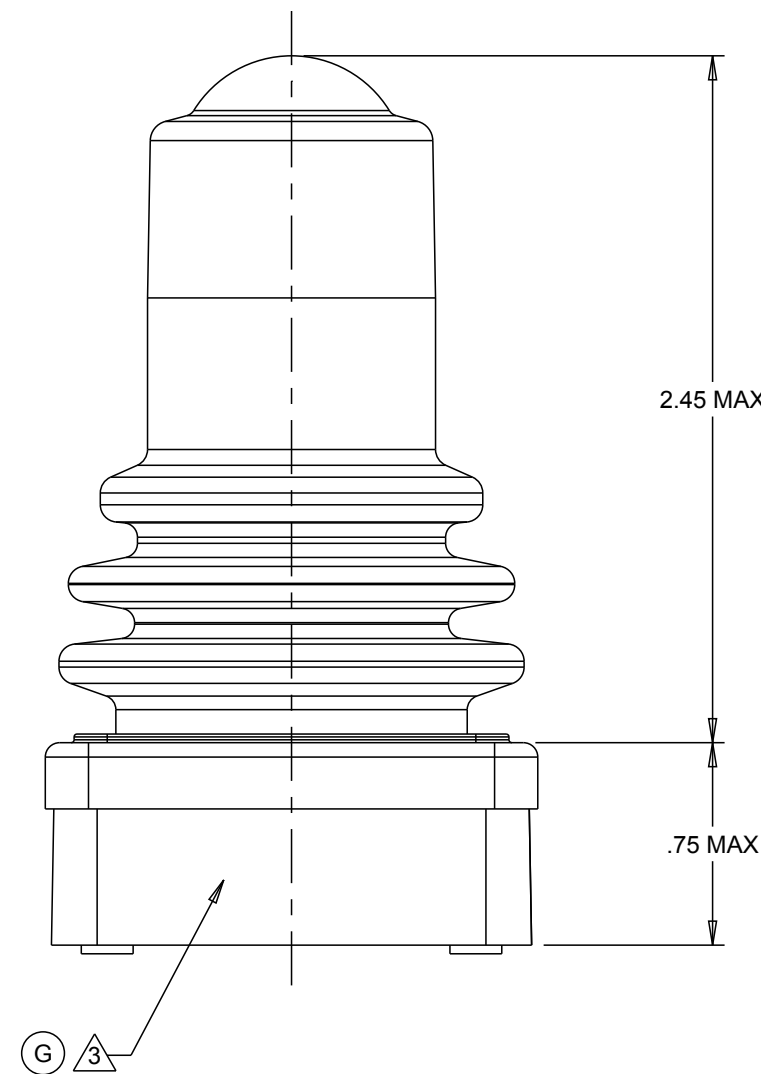
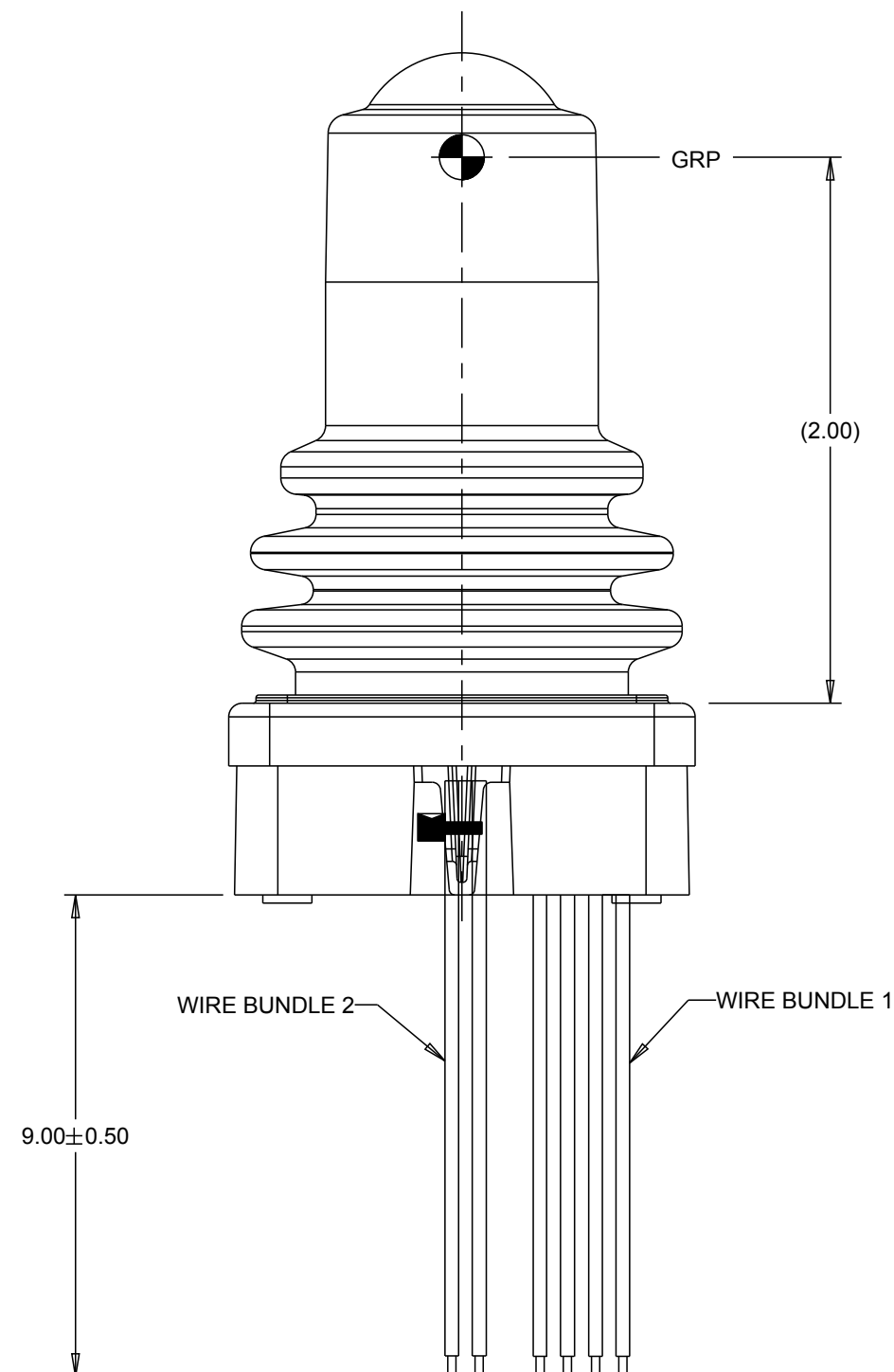
REV	OCN #	DATE	APR
A	059022	20 DEC 10	DCF
B	061838	20 JUN 11	MRM
C	064410	06 JAN 12	MRM
D	064707	31 JAN 12	DCF
E	065360	30 MAR 12	DCF
F	070007	08 APR 13	KLW
G	070711	30 MAY 13	KLW



SUGGESTED PANEL OPENING
MAX. PANEL THICKNESS OF 0.140



SCALE 4:5



WIRES NOT SHOWN IN ALL VIEWS FOR CLARITY

- MANUFACTURING
- SPC
- SPECIAL REQUIREMENT

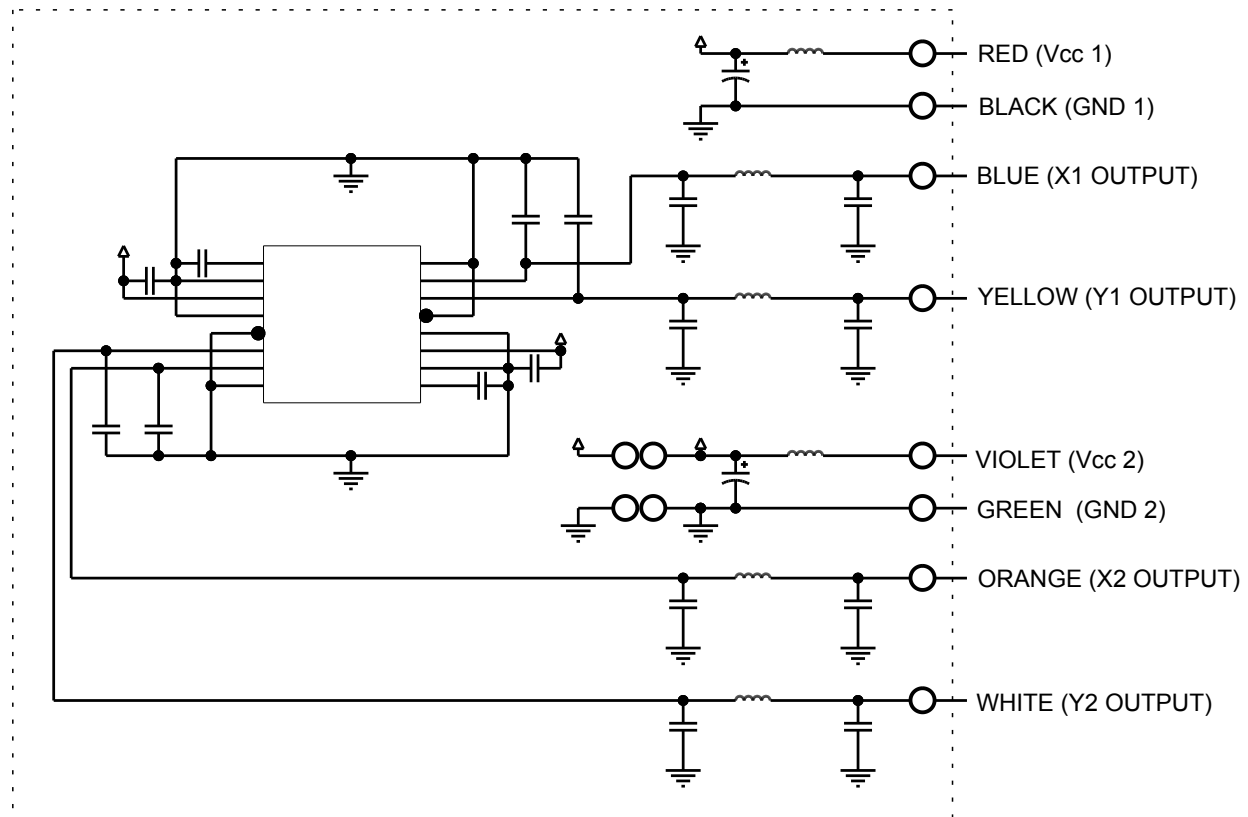
UNLESS OTHERWISE SPECIFIED:
DIMENSIONS ARE IN INCHES.
TOLERANCES:
.XX ±.03
.XXX ±.010
ANGLES ±2°
DO NOT SCALE

OTTO
CARPENTERSVILLE, ILLINOIS USA

THIS DOCUMENT IS THE CONFIDENTIAL PROPERTY OF OTTO ENGINEERING, INC.. IT IS NOT TO BE USED IN ANY WAY DETRIMENTAL TO THE INTERESTS OF OTTO ENGINEERING, INC..

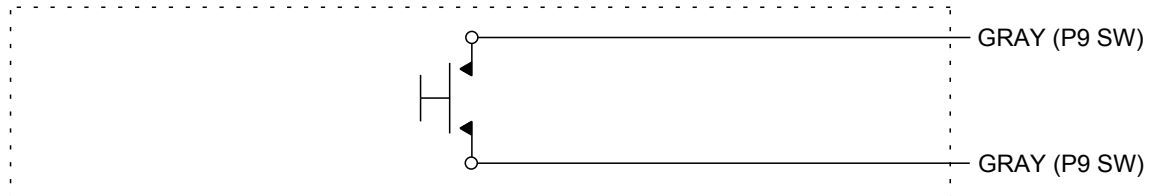
DESCRIPTION		JHT, LINEAR HALL EFFECT JOYSTICK	
DRWN. JLW	SIZE C	FSCM NO 21649	DRAWING NO. JHT-_____
CHKD. MRM	APPD. AH	REV. G	Scale 3:2
THIRD ANGLE PROJECTION		Sheet 1 OF 4	

PRODUCT SPECIFICATIONS				
ELECTRICAL:				
JOYSTICK				
RATED AT V _{cc} = 5V @ 20° C LOAD = 1ma (4.7KΩ)	UNITS	MIN	TYP	MAX
SUPPLY VOLTAGE	VDC	4.50	5.00	5.50
OUTPUT VOLTAGE TOLERANCE AT CENTER (SEE APPROPRIATE GRAPH FOR OUTPUT VOLTAGES)	VDC @5V V _{cc}	-25	N/A	+25
OUTPUT VOLTAGE TOLERANCE FULL TRAVEL (SEE APPROPRIATE GRAPH FOR OUTPUT VOLTAGES)	VDC @5V V _{cc}	-25	N/A	+25
SUPPLY CURRENT PER OUTPUT B=0, V _{cc} =5V, I _o =0	mA	N/A	10	12
OUTPUT IMPEDANCE	kΩ	N/A	1.0	N/A
P9				
SPST-NO-DB				
JOYSTICK Z AXIS RETURN TO CENTER				
RATED AT V _{cc} = 5V @ 20° C LOAD = 1ma (4.7KΩ)	UNITS	MIN	TYP	MAX
SUPPLY VOLTAGE	VDC	4.50	5.00	5.50
OUTPUT 1+2 VOLTAGE, +Z, -Z 0° DEFLECTION	VDC @5V V _{cc}	2.25	2.50	2.75
OUTPUT 1+2 AT FULL TRAVEL +Z DIRECTION	VDC @5V V _{cc}	4.25	4.50	4.55
OUTPUT 1+2 AT FULL TRAVEL -Z DIRECTION	VDC @5V V _{cc}	0.45	0.50	0.75
SUPPLY CURRENT (PER SENSOR) B=0, V _{cc} =5V, I _o =0	mA	NA	NA	10
OUTPUT SOURCE CURRENT LIMIT B=-X*, V _o =0	mA	-1.0	NA	1.0
JOYSTICK Z AXIS FRICTION				
RATED AT V _{cc} = 5V @ 20° C LOAD = 1ma (4.7KΩ)	UNITS	MIN	TYP	MAX
SUPPLY VOLTAGE	VDC	4.50	5.00	5.50
OUTPUT 1+2 AT FULL TRAVEL +Z DIRECTION	VDC @5V V _{cc}	4.25	4.50	4.55
OUTPUT 1+2 AT FULL TRAVEL -Z DIRECTION	VDC @5V V _{cc}	0.45	0.50	0.75
SUPPLY CURRENT (PER SENSOR) B=0, V _{cc} =5V, I _o =0	mA	NA	NA	10
OUTPUT SOURCE CURRENT LIMIT B=-X*, V _o =0	mA	-1.0	NA	1.0
JOYSTICK Z AXIS 3 DETENT				
RATED AT V _{cc} = 5V @ 20° C LOAD = 1ma (4.7KΩ)	UNITS	MIN	TYP	MAX
SUPPLY VOLTAGE	VDC	4.50	5.00	5.50
OUTPUT 1+2 VOLTAGE, +Z, -Z 0° DEFLECTION	VDC @5V V _{cc}	2.25	2.50	2.75
OUTPUT 1+2 AT FULL TRAVEL +Z DIRECTION	VDC @5V V _{cc}	4.25	4.50	4.55
OUTPUT 1+2 AT FULL TRAVEL -Z DIRECTION	VDC @5V V _{cc}	0.45	0.50	0.75
SUPPLY CURRENT (PER SENSOR) B=0, V _{cc} =5V, I _o =0	mA	NA	NA	10
OUTPUT SOURCE CURRENT LIMIT B=-X*, V _o =0	mA	-1.0	NA	1.0
MECHANICAL:				
JOYSTICK				
MECHANICAL LIFE ALL DIRECTIONS		5,000,000 CYCLES		
TRAVEL ANGLE	DEGREES	18	20	22
OVER TRAVEL ANGLE	DEGREES	0.5	1.0	1.5
MAX ALLOWABLE RADIAL FORCE (STYLES 11, 12, & 21) @ GRP	LBS	N/A	N/A	50
MAX ALLOWABLE RADIAL FORCE (ALL OTHER STYLES) @ GRP	LBS	N/A	N/A	15
P9				
MECHANICAL LIFE		1,000,000 CYCLES		
OPERATING FORCE @ 20° C	OZ	8	12	16
KEYPAD				
MECHANICAL LIFE		1,000,000 CYCLES		
OPERATIONAL FORCE	OZ	2	4	6
Z AXIS				
MECHANICAL LIFE ALL DIRECTIONS		1,000,000 CYCLES		
TRAVEL ANGLE (TOTAL)	DEGREES	56	60	64
OPERATIONAL TORQUE WITH DETENT	IN-OZ	10	20	30
OPERATIONAL TORQUE WITH FRICTION HOLD	IN-OZ	1	4	7
OPERATIONAL TORQUE RETURN TO CENTER	IN-OZ	8	16	24
MAXIMUM ALLOWABLE ROTATIONAL TORQUE	IN-LBS	N/A	N/A	15
ENVIRONMENTAL:				
OPERATING TEMPERATURE	°C	-40	20	85
KEYPAD				
ELECTRONICS SEAL INTEGRITY	WATERTIGHT TO IP65			
JOYSTICK				
ELECTRONICS SEAL INTEGRITY	WATERTIGHT TO IP68S, 1 METER			
EMI/RFI WITHSTAND	PER SAE J1113 CONTACT FACTORY FOR DETAILS			
MATERIAL:				
HOUSING	THERMOPLASTIC, BLACK			
BELLOWS	SILICONE, BLACK			
HARDWARE	NOT PROVIDED			



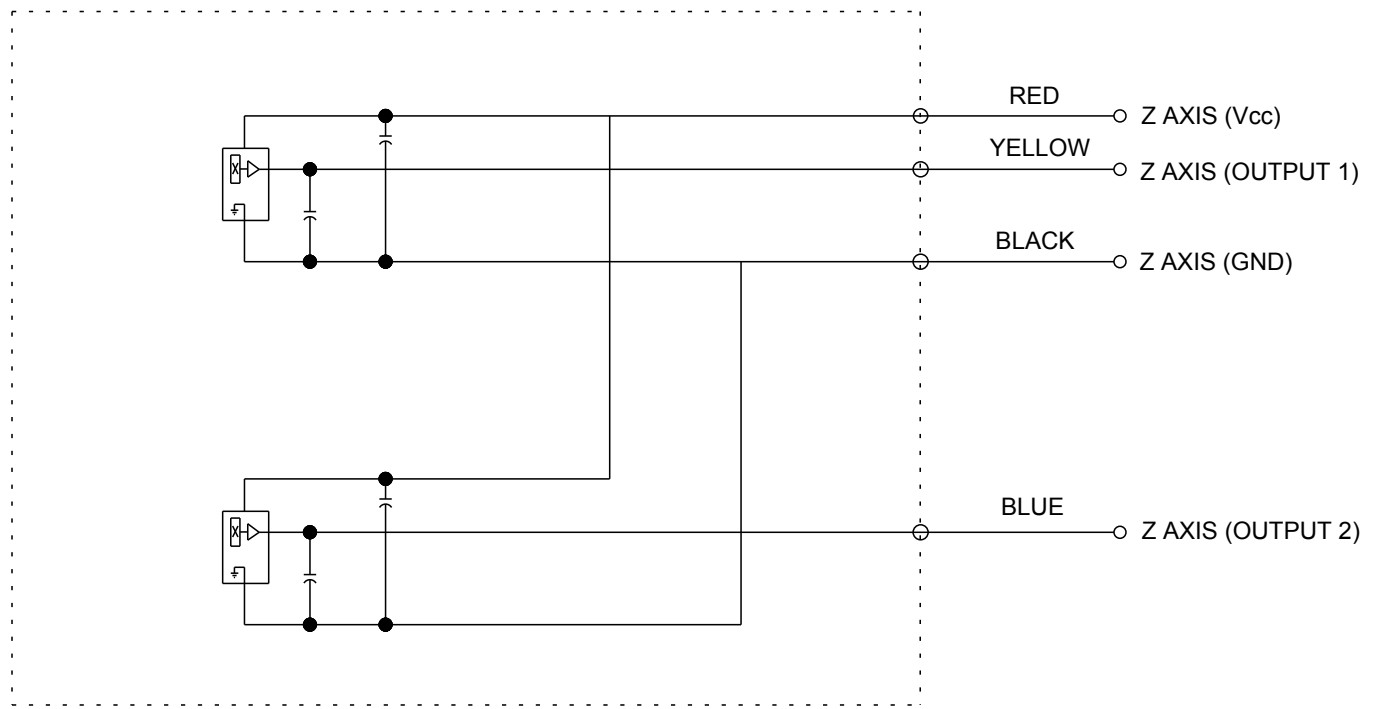
GENERAL SCHEMATIC
(WIRE BUNDLE 1)

ALL OUTPUTS ARE NOT PRESENT IN ALL CONFIGURATIONS



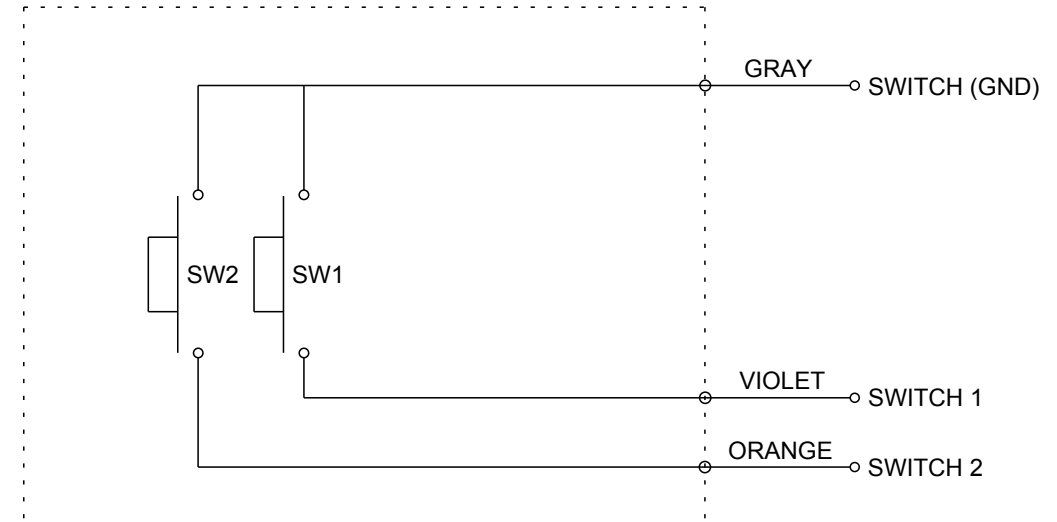
PUSHBUTTON SCHEMATIC
(WIRE BUNDLE 2)

ALL WIRES ARE NOT PRESENT IN ALL CONFIGURATIONS



Z AXIS SCHEMATIC
(WIRE BUNDLE 2)

ALL WIRES ARE NOT PRESENT IN ALL CONFIGURATIONS



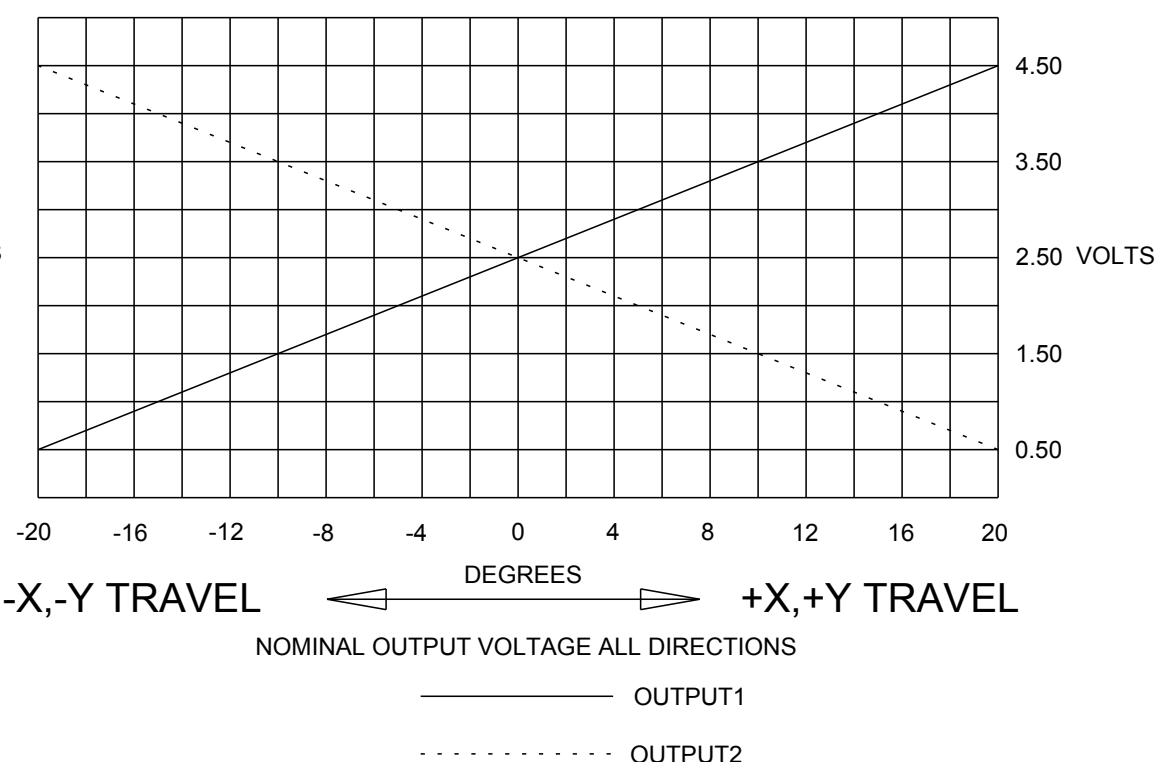
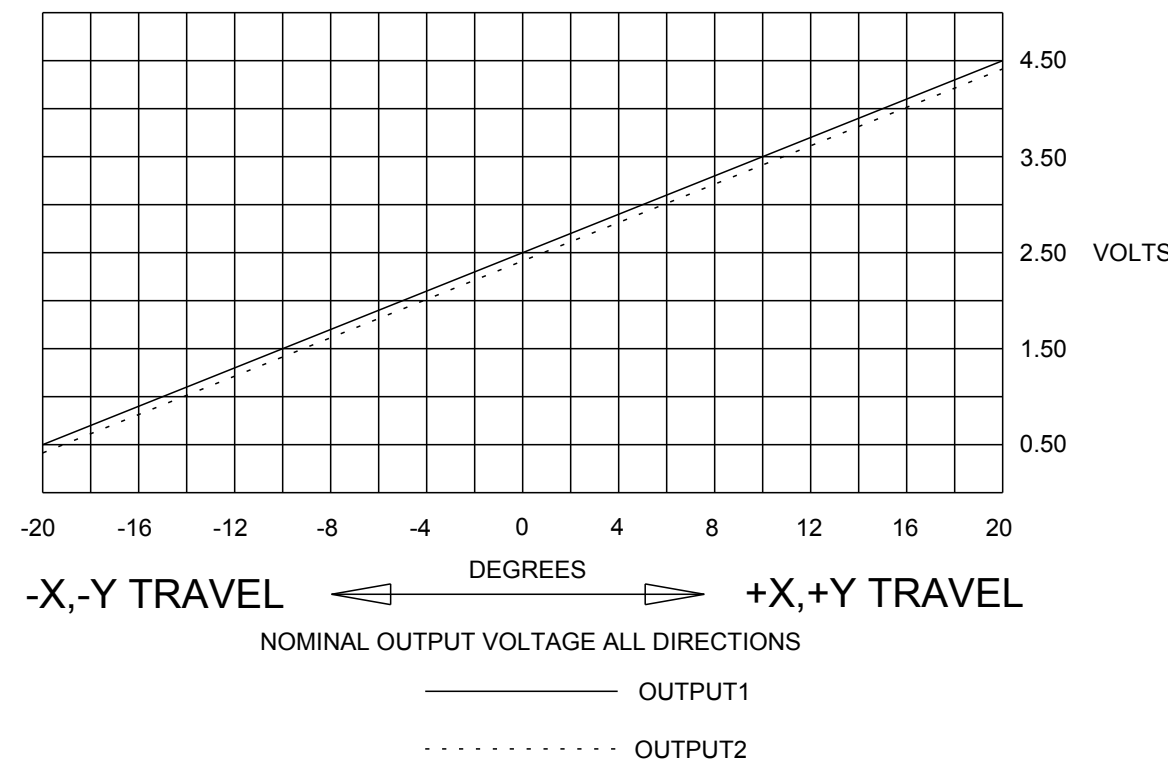
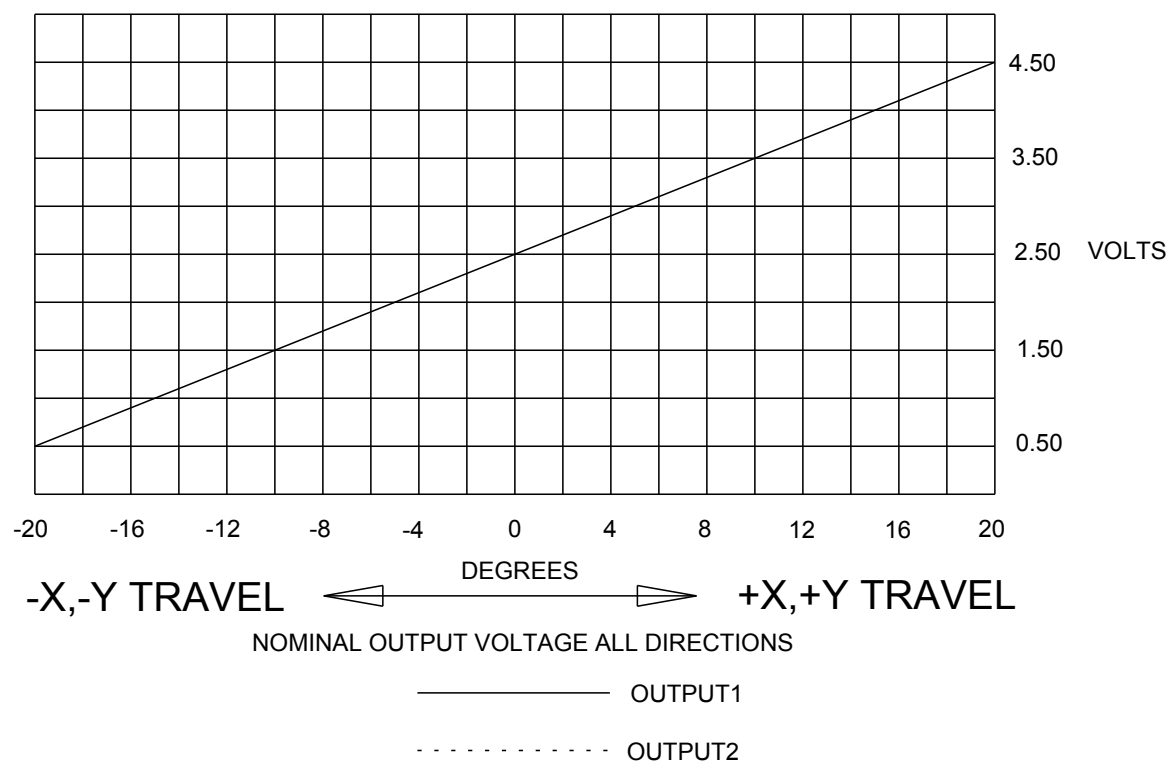
KEYPAD SCHEMATIC
(WIRE BUNDLE 2)

ALL WIRES ARE NOT PRESENT IN ALL CONFIGURATIONS

OPTION AA

OPTION BB

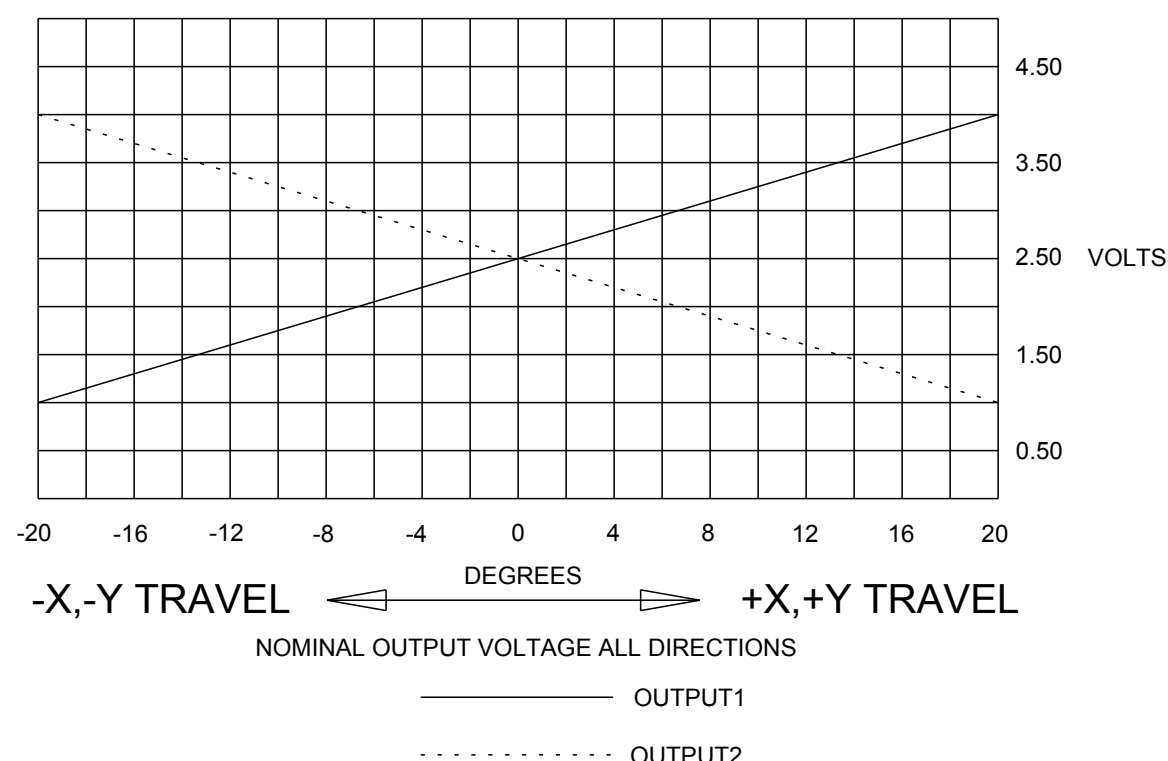
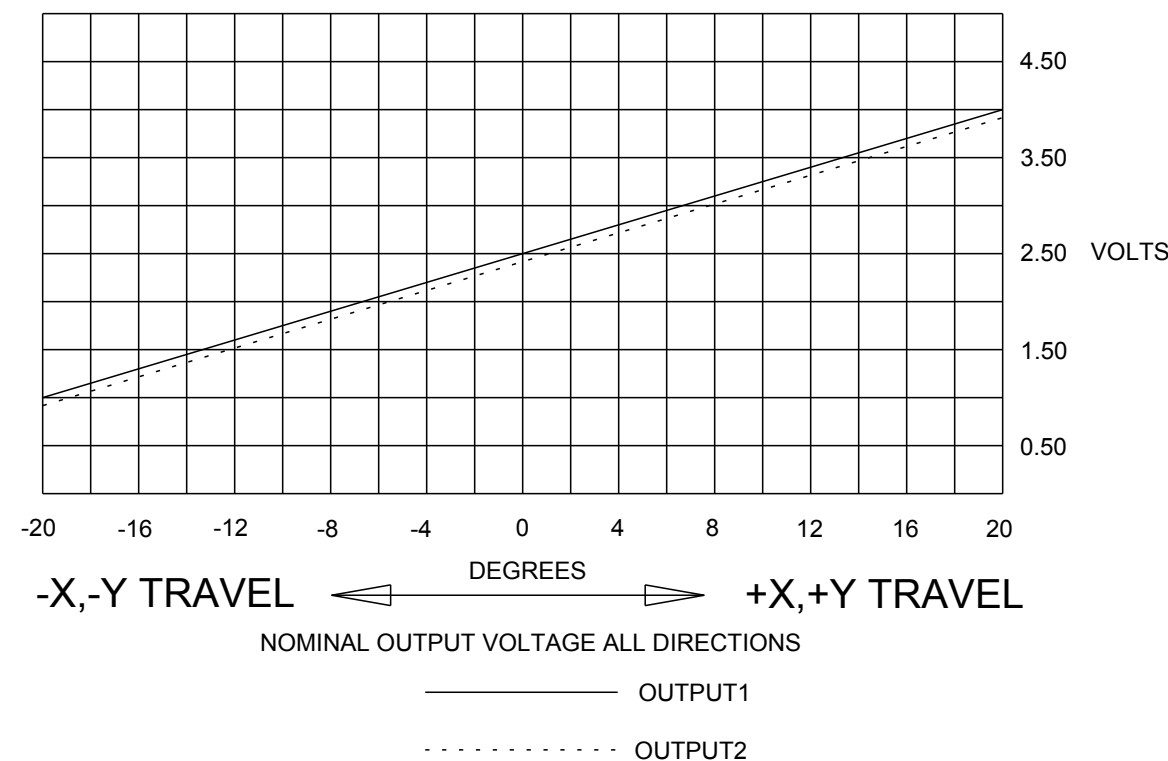
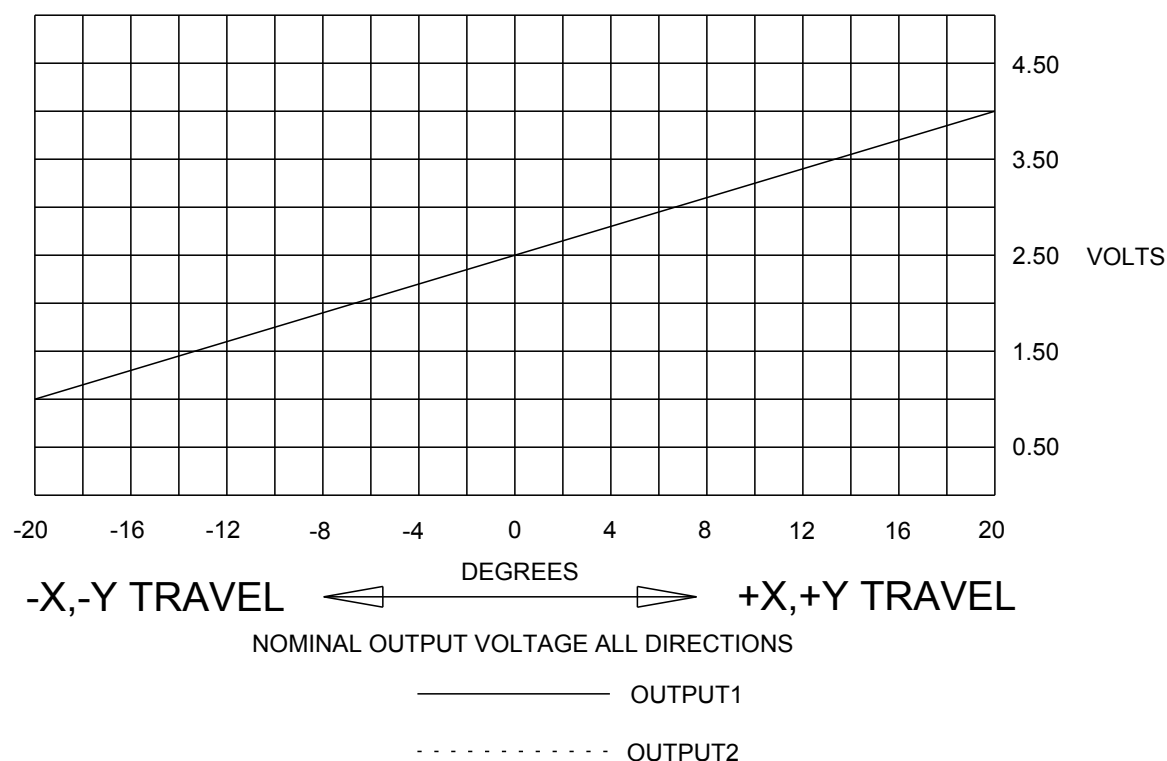
OPTION CC



OPTION DD

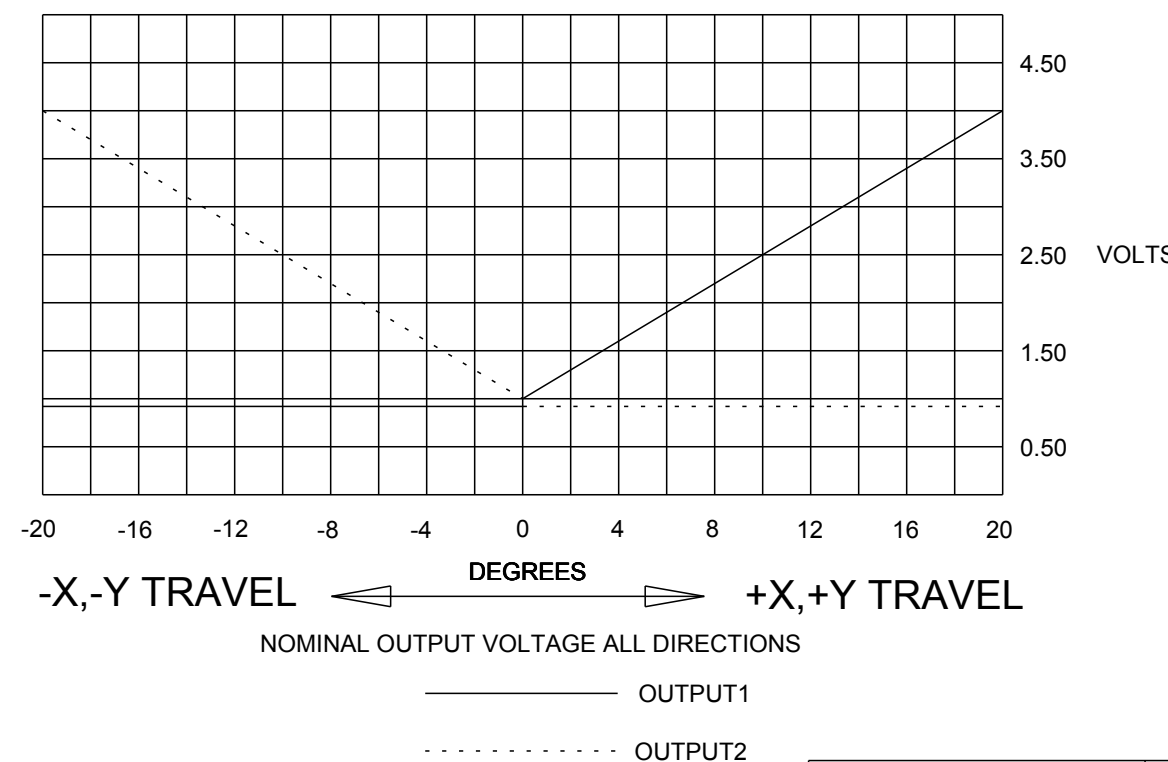
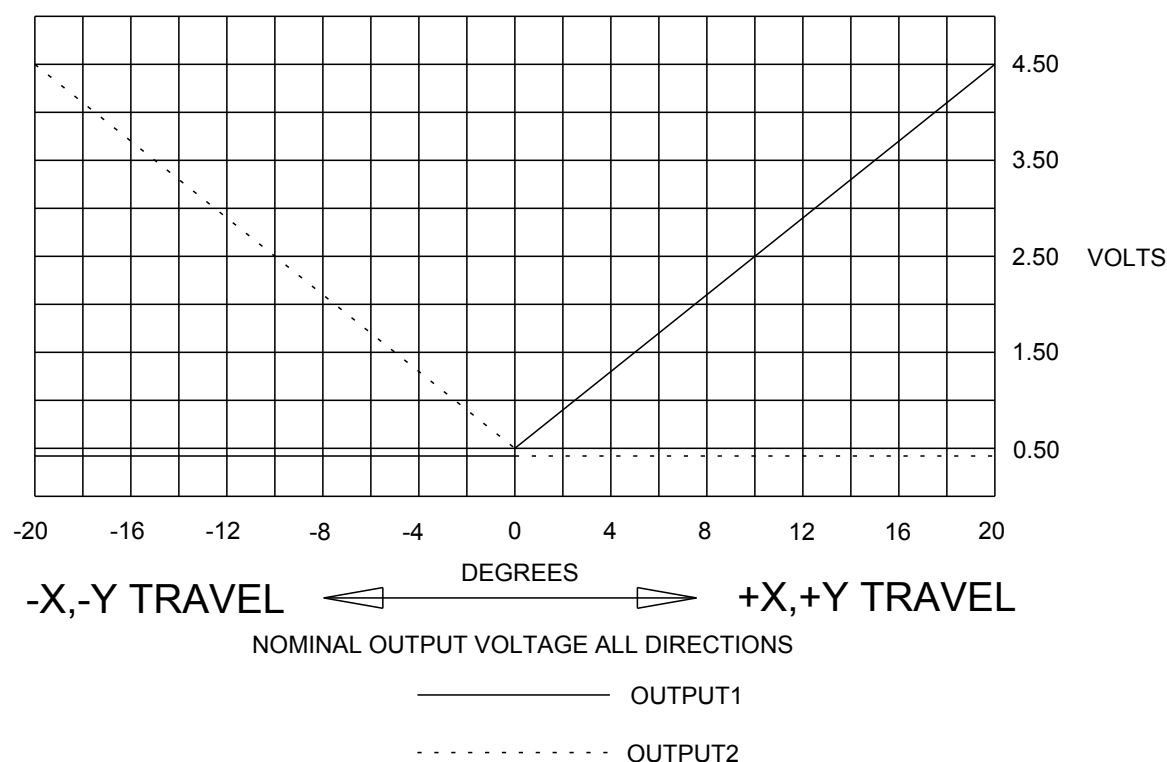
OPTION EE

OPTION FF



OPTION GG

OPTION HH



UNLESS OTHERWISE SPECIFIED
DIMENSIONS ARE IN INCHES.
TOLERANCES ARE AS LISTED.
MUST BE FREE FROM BURRS
AND SHARP EDGES

TOLERANCES
.XX ±.03
.XXX ±.010
ANGLES ±2°
DO NOT SCALE DRAWING

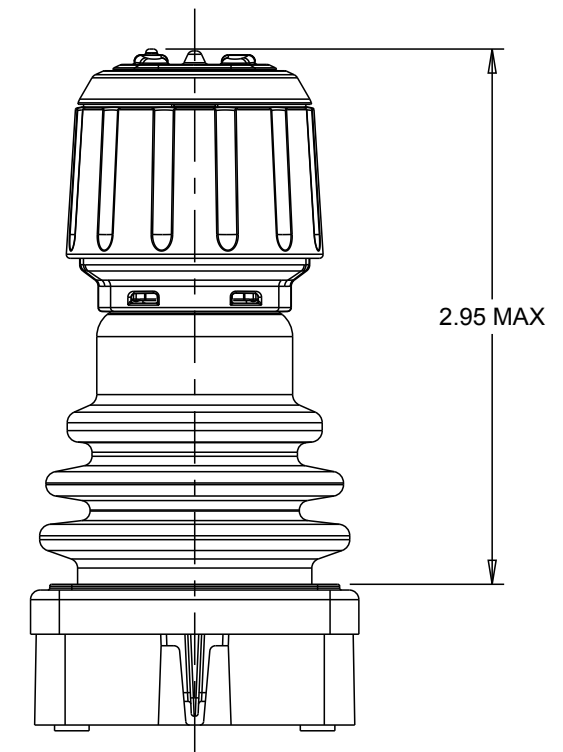
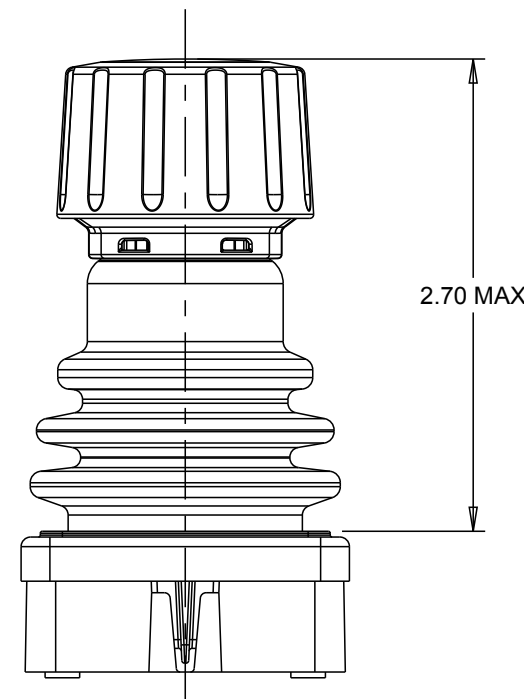
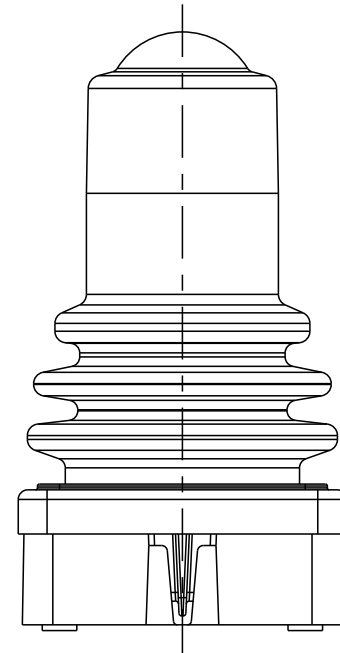
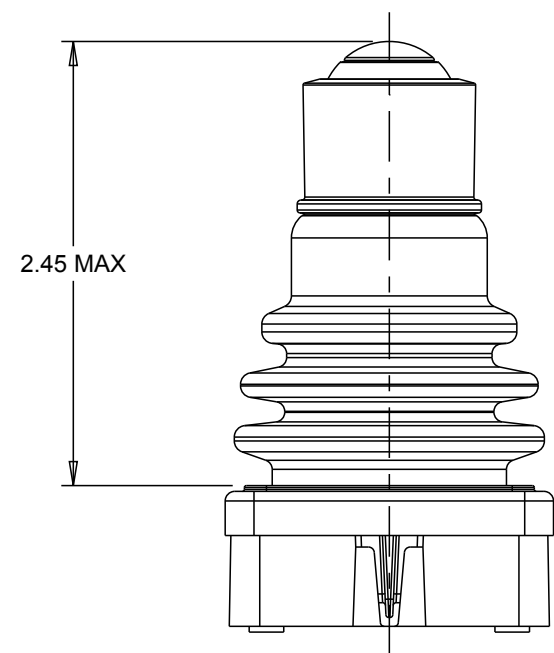
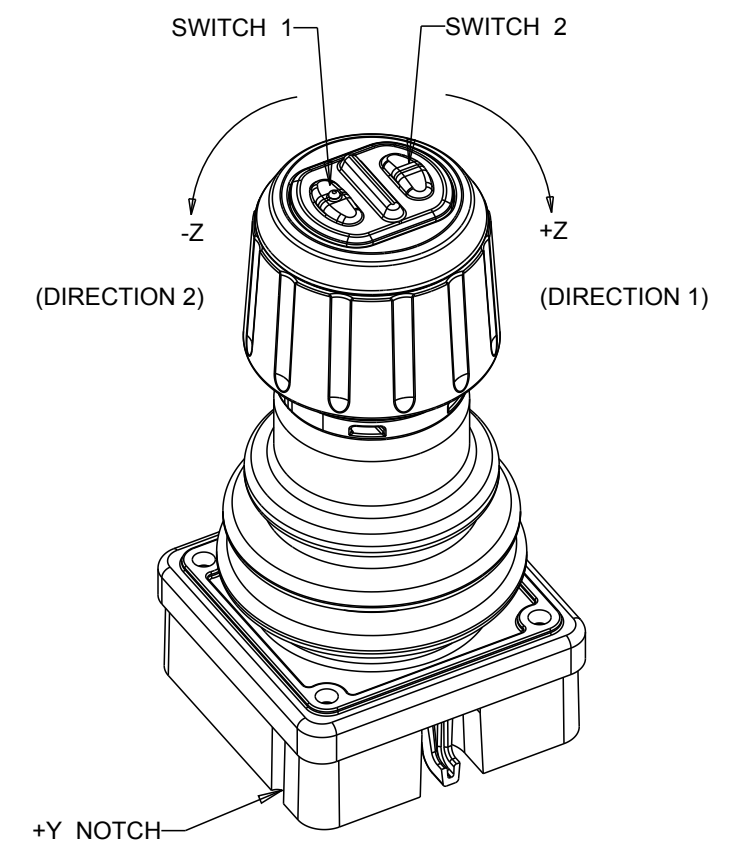
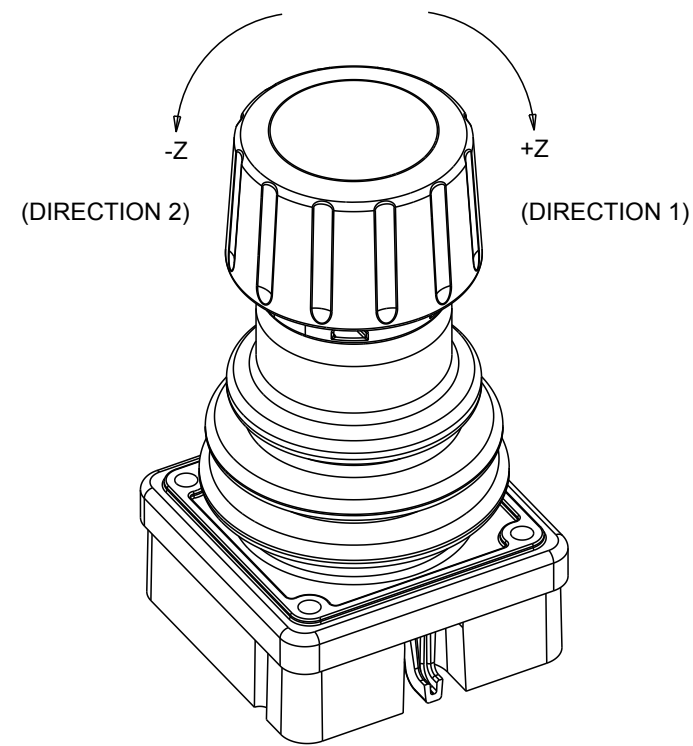
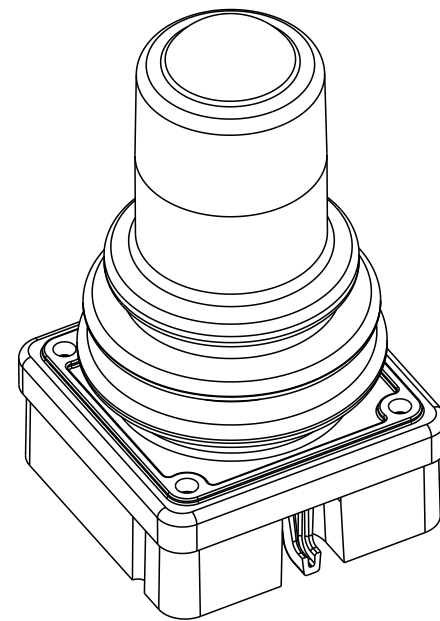
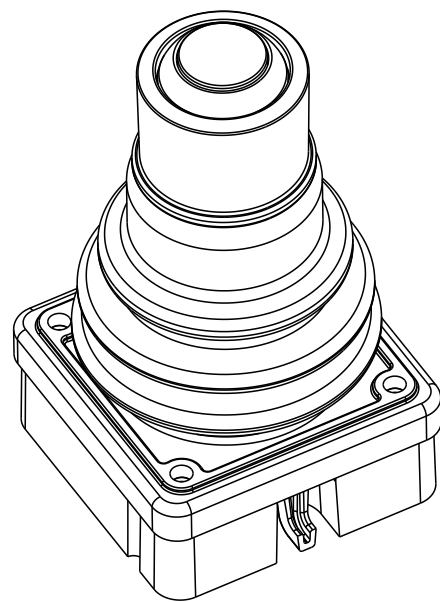
THIS DOCUMENT IS THE CONFIDENTIAL
PROPERTY OF OTTO ENGINEERING, INC..
IT IS NOT TO BE USED IN ANY WAY
DETRIMENTAL TO THE INTERESTS
OF OTTO ENGINEERING, INC..

DRWN. JLW	SIZE C	FSCM NO 21649	DRAWING NO. JHT-_____	REV. G
CHKD. MRM				
APPD. AH				
WT.				

THIRD ANGLE
PROJECTION

Scale 1:1

Sheet 3 OF 4



HALF BOOT

FULL BOOT

Z AXIS

Z AXIS WITH
PUSHBUTTONS

SWITCH / STYLE BOOT CONFIGURATION

UNLESS OTHERWISE SPECIFIED
DIMENSIONS ARE IN INCHES.
TOLERANCES ARE AS LISTED.
MUST BE FREE FROM BURRS
AND SHARP EDGES

TOLERANCES
.XX ±.03
.XXX ±.010
ANGLES ±2°
DO NOT SCALE DRAWING

THIS DOCUMENT IS THE CONFIDENTIAL
PROPERTY OF OTTO ENGINEERING, INC..
IT IS NOT TO BE USED IN ANY WAY
DETRIMENTAL TO THE INTERESTS
OF OTTO ENGINEERING, INC..

DRWN. JLW	SIZE C	FSCM NO 21649	DRAWING NO. JHT-_____	REV. G
CHKD. MRM				
APPD. AH				
THIRD ANGLE PROJECTION			Scale 1:1	Sheet 4 OF 4

Данный компонент на территории Российской Федерации

Вы можете приобрести в компании MosChip.

Для оперативного оформления запроса Вам необходимо перейти по данной ссылке:

<http://moschip.ru/get-element>

Вы можете разместить у нас заказ для любого Вашего проекта, будь то серийное производство или разработка единичного прибора.

В нашем ассортименте представлены ведущие мировые производители активных и пассивных электронных компонентов.

Нашей специализацией является поставка электронной компонентной базы двойного назначения, продукции таких производителей как XILINX, Intel (ex.ALTERA), Vicor, Microchip, Texas Instruments, Analog Devices, Mini-Circuits, Amphenol, Glenair.

Сотрудничество с глобальными дистрибьюторами электронных компонентов, предоставляет возможность заказывать и получать с международных складов практически любой перечень компонентов в оптимальные для Вас сроки.

На всех этапах разработки и производства наши партнеры могут получить квалифицированную поддержку опытных инженеров.

Система менеджмента качества компании отвечает требованиям в соответствии с ГОСТ Р ИСО 9001, ГОСТ РВ 0015-002 и ЭС РД 009

Офис по работе с юридическими лицами:

105318, г.Москва, ул.Щербаковская д.3, офис 1107, 1118, ДЦ «Щербаковский»

Телефон: +7 495 668-12-70 (многоканальный)

Факс: +7 495 668-12-70 (доб.304)

E-mail: info@moschip.ru

Skype отдела продаж:

moschip.ru

moschip.ru_4

moschip.ru_6

moschip.ru_9