

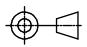

CODE 76 - TINEL-LOCK BACKSHELL

TXR76AB00-1608AI

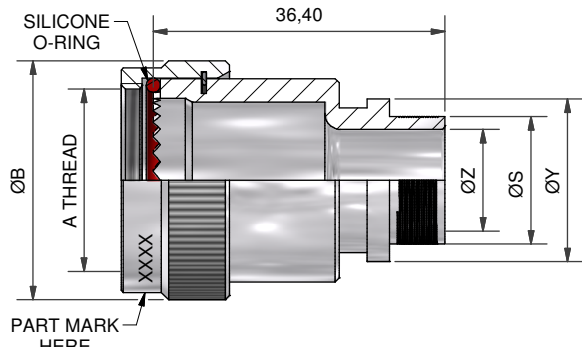
SERIES _____
 TXR: RING INCLUDED
 (SEE RING OPTION)
 TX: RING NOT INCLUDED
 CONNECTOR INTERFACE _____
 MATERIAL _____
 REFER TO CH00-0250-008
 FINISH _____
 REFER TO CH00-0250-008
 ANGLE _____
 ORDER NUMBER (TABLE 1) _____
 ENTRY SIZE (TABLE 2) _____
 RING OPTION _____
 AI - TO SUIT SINGLE BRAID
 BI - TO SUIT DOUBLE BRAID
 FOR TX, LEAVE BLANK
 MODIFICATION CODE _____
 REFER TO CH00-0250-008 (2)

NOTES:

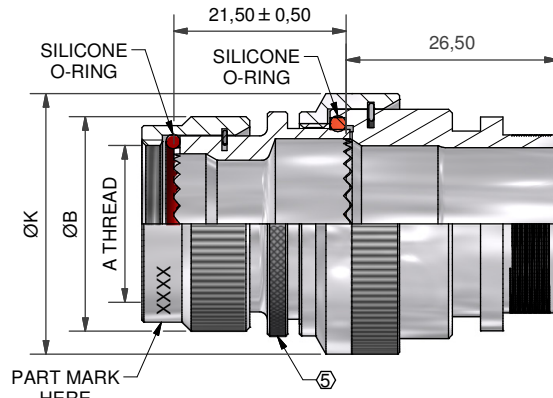
1. THIS PRODUCT IS DESIGNED TO TERMINATE A BRAIDED CABLE SHIELD AND A HEAT SHRINKABLE LIPPED BOOT TO A CONNECTOR.
- (2) FOR ADDITIONAL DIMENSIONS, ORDERING INFORMATION AND MODIFICATIONS, SEE CH00-0250-008.
- (3) SEE DRAWING TR FOR DETAIL ON TINEL-LOCK RING, RINGS ARE DESIGNED TO BE HEATED ELECTRICALLY, ALL RINGS ARE MARKED WITH THERMOCHROMIC PAINT WHICH CHANGES COLOUR WHEN INSTALLATION TEMPERATURE IS REACHED.
4. BACKSHELL TO BE PERMANENTLY MARKED/BAGGED AND LABELLED WITH CODE IDENTIFICATION NUMBER AND PART NUMBER LESS RING DESIGNATOR. (e.g. 06090-TXR76AB00-1206). RING SHALL BEAR NO MARKING.
- (5) FOR LARGER ENTRY SIZES, A 2 PIECE BACKSHELL ASSEMBLY (TYPE 2) IS SUPPLIED.
- (6) BACKSHELL MATES WITH BS 9522. N0001 PATT 603, BSS 9522, F0017 PATT 105

| | | | | | | | | | | |
|--|---------------------------|-------------|-----------------|--|--|----------------------|--|-----------------------------|--------------------------|-----------------|
| DRAWN | K.WINCZURA | DATE | 05/12/2014 |  3RD ANGLE PROJECTION NOT TO SCALE | TITLE: | TINEL LOCK BACKSHELL |  Polamco | | | |
| CHECKED | | DATE | 05/12/2014 | | | | | | | |
| APPROVED | K.SHEPPARD | DATE | 15/12/2014 | | UNLESS OTHERWISE SPECIFIED ALL DIMENSIONS IN MILLIMETRES GENERAL TOL LINEAR +/-0.25MM ANGULAR +/- 1° | ASSY USED ON: | | BS9522 PATT 105 / PATT 603 | | |
| APPROVED | H.SMITH | DATE | 01/10/2015 | | | | | | | |
| REVISIONS | | | | | | | | | | |
| LTR | DESCRIPTION | DATE | APPROVED | | | | | | | |
| E | REVISED PER ECO-15-002399 | 18/02/2015 | | | | | | | | |
| F | REVISED PER ECO-15-013980 | 01/10/2015 | H.SMITH | | | | | | | |
| TE CAGE CODE: 06090 POLAMCO/TE CAGE CODE: U5792 | | | | | TE CONNECTIVITY - POLAMCO LTD RESERVES THE RIGHT TO AMEND THIS DRAWING AND THE INFORMATION SET FORTH HEREON AT ANY TIME. USERS SHOULD INDEPENDENTLY EVALUATE THE SUITABILITY OF THE PRODUCT FOR THEIR APPLICATION. | | | DRAWING NO: TXR76 | DRAWING REV: F | SHT 1 |

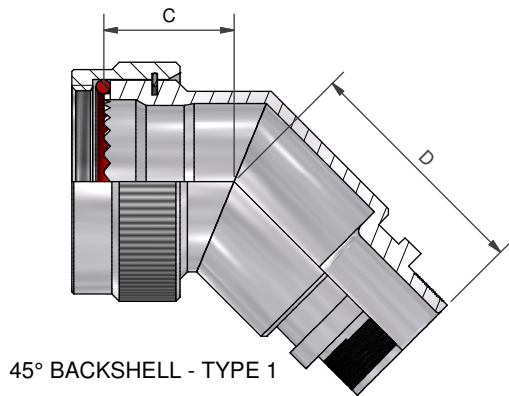
IF MAX ENTRY IS EXCEEDED BACKSHELL WILL BE SUPPLIED AS TYPE 2



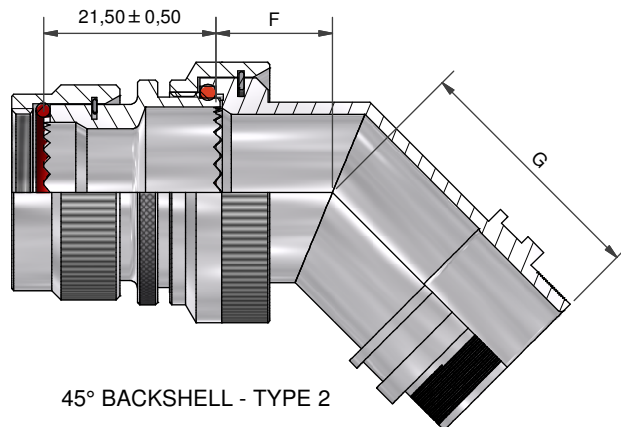
STRAIGHT BACKSHELL - TYPE 1



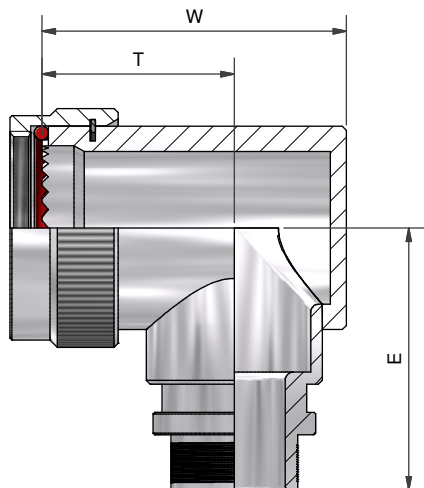
STRAIGHT BACKSHELL - TYPE 2



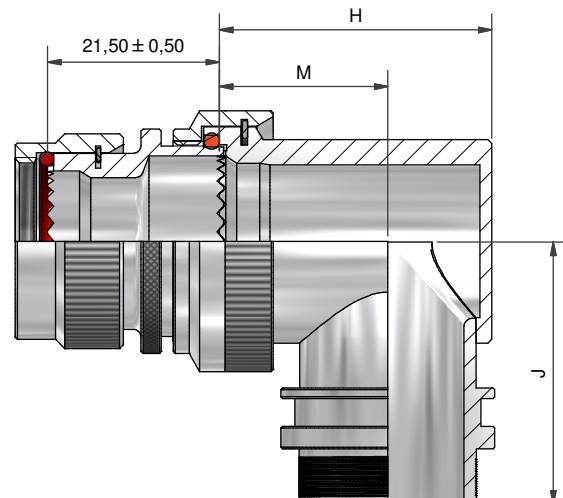
45° BACKSHELL - TYPE 1



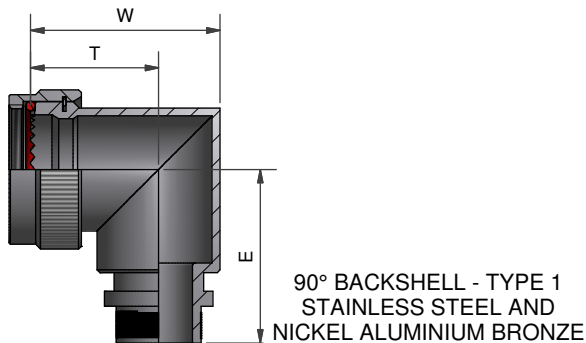
45° BACKSHELL - TYPE 2



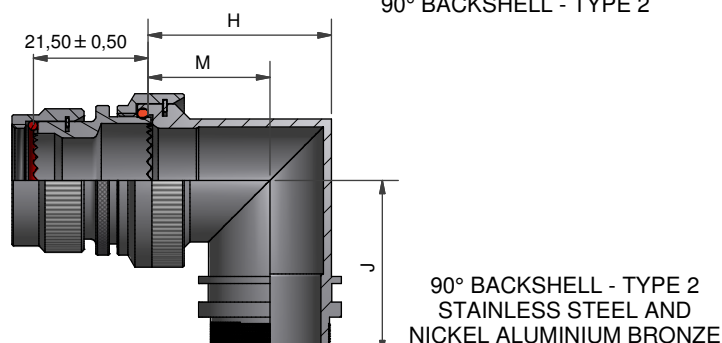
90° BACKSHELL - TYPE 1



90° BACKSHELL - TYPE 2



90° BACKSHELL - TYPE 1
STAINLESS STEEL AND
NICKEL ALUMINIUM BRONZE



90° BACKSHELL - TYPE 2
STAINLESS STEEL AND
NICKEL ALUMINIUM BRONZE

| | | | |
|-----------------|------------|-------------|------------|
| DRAWN | K.WINCZURA | DATE | 05/12/2014 |
| CHECKED | | DATE | 05/12/2014 |
| APPROVED | K.SHEPPARD | DATE | 15/12/2014 |
| APPROVED | H.SMITH | DATE | 01/10/2015 |

3RD ANGLE PROJECTION
NOT TO SCALE

UNLESS OTHERWISE SPECIFIED
ALL DIMENSIONS IN MILLIMETRES
GENERAL TOL
LINEAR +/-0.25MM
ANGULAR +/- 1°

TITLE:
TINEL LOCK BACKSHELL

ASSY USED ON:
BS9522 PATT 105 / PATT 603

| REVISIONS | | | |
|-----------|---------------------------|------------|----------|
| LTR | DESCRIPTION | DATE | APPROVED |
| E | REVISED PER ECO-15-002399 | 18/02/2015 | |
| F | REVISED PER ECO-15-013980 | 01/10/2015 | H.SMITH |

TE CAGE CODE: 06090
POLAMCO/TE CAGE CODE: U5792

TE CONNECTIVITY - POLAMCO LTD RESERVES THE RIGHT TO AMEND THIS DRAWING AND THE INFORMATION SET FORTH HEREON AT ANY TIME. USERS SHOULD INDEPENDENTLY EVALUATE THE SUITABILITY OF THE PRODUCT FOR THEIR APPLICATION.

| | | |
|------------------------------------|---------------------------------|------------------------|
| DRAWING NO: TXR76 | DRAWING REV: F | SHT 2 |
|------------------------------------|---------------------------------|------------------------|



THESE DIMENSIONS APPLY IF
BACKSHELL IS STAINLESS STEEL
OR NICKEL ALUMINIUM BRONZE

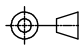
TABLE 1

| ORDER NUMBER | SHELL SIZE (6) | A THREAD | ØB MAX | MAX ENTRY | C ±0,5 | D ±0,5 | W ±0,5 | T ±0,5 | E ±0,5 | W ±0,5 | T ±0,5 | E ±0,5 |
|--------------|----------------|---------------|--------|-----------|--------|--------|--------|--------|--------|--------|--------|--------|
| 08 | 8 | 7/16-28UNEF | 17,3 | 04 | 13,90 | 26,8 | 25,0 | 17,5 | 26,20 | 22,4 | 17,5 | 26,4 |
| 10 | 10 | 9/16-24UNEF | 20,3 | 06 | 14,40 | 27,5 | 28,0 | 18,6 | 27,95 | 24,8 | 18,6 | 28,2 |
| 12 | 12 | 11/16-24UNEF | 23,8 | 08 | 15,20 | 28,0 | 31,5 | 20,5 | 29,45 | 29,5 | 20,5 | 29,7 |
| 14 | 14 | 13/16-20UNEF | 26,8 | 10 | 16,04 | 29,0 | 35,0 | 22,5 | 31,00 | 32,6 | 22,5 | 31,2 |
| 16 | 16 | 15/16-20UNEF | 29,8 | 12 | 16,29 | 29,7 | 38,0 | 24,0 | 32,70 | 35,4 | 24,0 | 32,9 |
| 18 | 18 | 1 1/16-18UNEF | 33,3 | 14 | 17,34 | 30,5 | 41,5 | 26,0 | 34,25 | 39,2 | 26,0 | 34,5 |
| 20 | 20 | 1 3/16-18UNEF | 36,3 | 16 | 17,68 | 30,9 | 45,0 | 28,0 | 35,80 | 42,6 | 28,0 | 36,1 |
| 22 | 22 | 1 5/16-18UNEF | 39,8 | 18 | 18,02 | 31,1 | 48,0 | 29,5 | 37,40 | 45,8 | 29,5 | 37,6 |
| 24 | 24 | 1 7/16-18UNEF | 42,8 | 18 | 19,17 | 32,1 | 51,0 | 31,0 | 38,90 | 48,3 | 31,0 | 39,1 |

THESE DIMENSIONS APPLY IF
BACKSHELL IS STAINLESS STEEL
OR NICKEL ALUMINIUM BRONZE

TABLE 2

| ENTRY SIZE | ØZ MIN | ØS | ØY ± 0,3 | ØK MAX | F ±0,5 | G ±0,5 | H ±0,5 | M ±0,5 | J ±0,5 | H ±0,5 | M ±0,5 | J ±0,5 |
|------------|--------|---------------|----------|--------|--------|--------|--------|--------|--------|--------|--------|--------|
| 04 | 6,35 | 9,49 +/-0,04 | 14,00 | NA | NA | NA | NA | NA | NA | NA | NA | NA |
| 05 | 7,92 | 11,06 +/-0,04 | 15,50 | 21,0 | 12,5 | 27,5 | 24,0 | 15,5 | 27,95 | 24,3 | 17,2 | 28,2 |
| 06 | 9,53 | 12,66 +/-0,04 | 17,10 | 21,0 | 12,5 | 27,5 | 24,0 | 15,5 | 27,95 | 24,3 | 17,2 | 28,2 |
| 07 | 11,10 | 14,21 +/-0,07 | 18,70 | 21,0 | 12,5 | 27,5 | 24,0 | 15,5 | 27,95 | 24,3 | 17,2 | 28,2 |
| 08 | 12,70 | 15,81 +/-0,07 | 20,30 | 24,5 | 13,1 | 28,0 | 27,0 | 17,0 | 29,45 | 28,3 | 19,4 | 29,7 |
| 10 | 15,88 | 18,96 +/-0,08 | 23,50 | 29,0 | 13,5 | 29,0 | 31,0 | 19,5 | 31,00 | 31,1 | 21,0 | 31,2 |
| 12 | 19,05 | 22,14 +/-0,08 | 26,70 | 32,5 | 14,5 | 29,7 | 34,0 | 21,0 | 32,70 | 34,2 | 22,8 | 32,9 |
| 14 | 22,23 | 25,30 +/-0,08 | 29,80 | 35,5 | 15,5 | 30,5 | 35,0 | 20,0 | 34,25 | 38,5 | 25,3 | 34,5 |
| 16 | 25,40 | 28,48 +/-0,08 | 33,00 | 37,0 | 16,1 | 30,9 | 38,0 | 21,5 | 35,80 | 40,7 | 26,1 | 36,1 |
| 18 | 28,58 | 31,65 +/-0,08 | 36,20 | 40,0 | 16,5 | 31,1 | 42,0 | 24,0 | 37,40 | 43,7 | 27,6 | 37,6 |
| 20 | 31,75 | 34,83 +/-0,08 | 39,40 | 43,5 | 17,0 | 32,1 | 45,0 | 25,5 | 38,90 | 46,4 | 29,1 | 39,1 |
| 22 | 34,93 | 37,98 +/-0,08 | 42,50 | 48,5 | 18,5 | 35,3 | 54,5 | 31,0 | 42,00 | 50,0 | 31,0 | 42,0 |
| 24 | 38,10 | 41,15 +/-0,08 | 45,70 | 52,1 | 21,9 | 38,1 | 58,0 | 33,0 | 46,00 | 53,5 | 33,0 | 46,0 |

| | | | | |
|------------------|---------------------------|-------------|-----------------|--|
| DRAWN | K.WINCZURA | DATE | 05/12/2014 |  3RD ANGLE PROJECTION NOT TO SCALE |
| CHECKED | | DATE | 05/12/2014 | |
| APPROVED | K.SHEPPARD | DATE | 15/12/2014 | |
| APPROVED | H.SMITH | DATE | 01/10/2015 | |
| REVISIONS | | | | |
| LTR | DESCRIPTION | DATE | APPROVED | |
| E | REVISED PER ECO-15-002399 | 18/02/2015 | | |
| F | REVISED PER ECO-15-013980 | 01/10/2015 | H.SMITH | |

UNLESS OTHERWISE SPECIFIED
ALL DIMENSIONS IN MILLIMETRES
GENERAL TOL
LINEAR +/-0,25MM
ANGULAR +/- 1°

TITLE:

TINEL LOCK BACKSHELL

ASSY USED ON:

BS9522 PATT 105 / PATT 603



TE CAGE CODE: 06090
POLAMCO/TE CAGE CODE: U5792

TE CONNECTIVITY - POLAMCO LTD RESERVES THE RIGHT TO AMEND THIS DRAWING AND THE INFORMATION SET FORTH HEREON AT ANY TIME. USERS SHOULD INDEPENDENTLY EVALUATE THE SUITABILITY OF THE PRODUCT FOR THEIR APPLICATION.

| | | |
|--------------------|---------------------|------------|
| DRAWING NO: | DRAWING REV: | SHT |
| TXR76 | F | 3 |

Данный компонент на территории Российской Федерации

Вы можете приобрести в компании MosChip.

Для оперативного оформления запроса Вам необходимо перейти по данной ссылке:

<http://moschip.ru/get-element>

Вы можете разместить у нас заказ для любого Вашего проекта, будь то серийное производство или разработка единичного прибора.

В нашем ассортименте представлены ведущие мировые производители активных и пассивных электронных компонентов.

Нашей специализацией является поставка электронной компонентной базы двойного назначения, продукции таких производителей как XILINX, Intel (ex.ALTERA), Vicor, Microchip, Texas Instruments, Analog Devices, Mini-Circuits, Amphenol, Glenair.

Сотрудничество с глобальными дистрибьюторами электронных компонентов, предоставляет возможность заказывать и получать с международных складов практически любой перечень компонентов в оптимальные для Вас сроки.

На всех этапах разработки и производства наши партнеры могут получить квалифицированную поддержку опытных инженеров.

Система менеджмента качества компании отвечает требованиям в соответствии с ГОСТ Р ИСО 9001, ГОСТ РВ 0015-002 и ЭС РД 009

Офис по работе с юридическими лицами:

105318, г.Москва, ул.Щербаковская д.3, офис 1107, 1118, ДЦ «Щербаковский»

Телефон: +7 495 668-12-70 (многоканальный)

Факс: +7 495 668-12-70 (доб.304)

E-mail: info@moschip.ru

Skype отдела продаж:

moschip.ru

moschip.ru_4

moschip.ru_6

moschip.ru_9