

PLEASE CHECK WWW.MOLEX.COM FOR LATEST PART INFORMATION

Part Number: [0002081104](#)
Status: **Active**
Description: Claspcn™ Crimp Terminal Socket, Tin (Sn) Plated Brass Contact, 24-30 AWG, Bag

Documents:

[Drawing \(PDF\)](#) [RoHS Certificate of Compliance \(PDF\)](#)

Agency Certification

CSA LR19980
 UL E29179

General

Product Family Crimp Terminals
 Series [1881](#)
 Crimp Quality Equipment Yes
 Product Name Claspcn™

Physical

Gender Female
 Material - Metal Brass
 Material - Plating Mating Tin
 Material - Plating Termination Tin
 Packaging Type Bag
 Plating min: Mating (µin) 20
 Plating min: Mating (µm) 0.50
 Plating min: Termination (µin) 20
 Plating min: Termination (µm) 0.50
 Termination Interface: Style Crimp or Compression
 Wire Insulation Diameter 0.76-1.52mm (.030-.060")
 Wire Size AWG 24, 26, 28, 30
 Wire Size mm² N/A

Material Info

Old Part Number 188103L

Reference - Drawing Numbers

Sales Drawing SD-1881-*

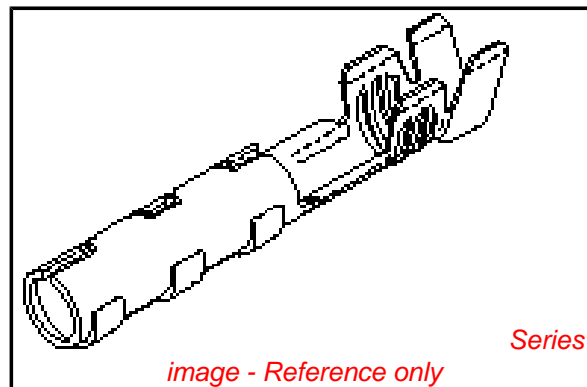


image - Reference only

EU RoHS

**ELV and RoHS
 Compliant**
**REACH SVHC
 Contains SVHC: No**
**Halogen-Free
 Status
 Not Reviewed**

China RoHS



**Need more information on product
 environmental compliance?**

Email productcompliance@molex.com
 For a multiple part number RoHS Certificate of
 Compliance, [click here](#)

Please visit the [Contact Us](#) section for any
 non-product compliance questions.

Search Parts in this Series

[1881Series](#)

Mates With

16-06-0005

Application Tooling | FAQ

*Tooling specifications and manuals are
 found by selecting the products below.
 Crimp Height Specifications are then
 contained in the Application Tooling
 Specification document.*

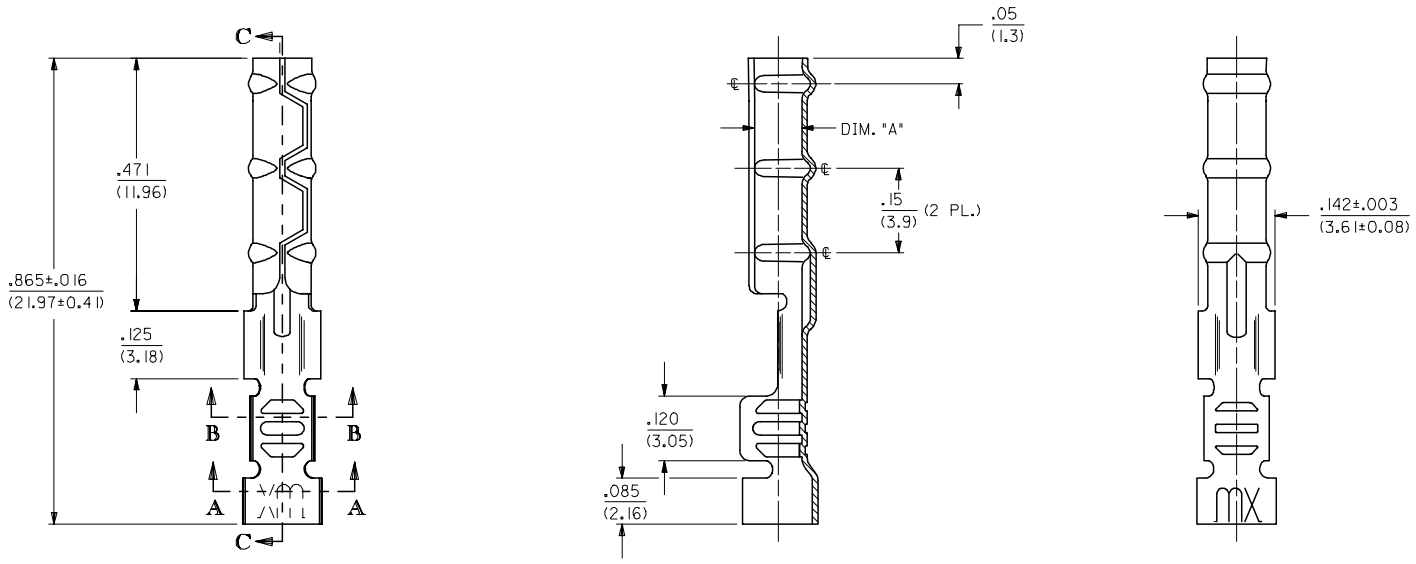
Global

Description	Product #
HAND CRIMP TOOL	0638117100

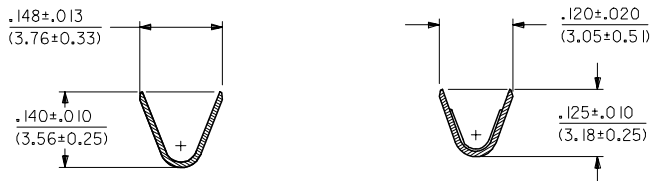
13 12 11 10 9 8 7 6 5 4 3 2 1

J I H G F E D C B A

1881-2*** TERMINAL SHOWN (16-24 AWG)
SEE SHEET 2 FOR 1881-3*** TERMINAL



SECTION C-C



SECTION A-A

SECTION B-B

UPDATE TITLE BLOCK EC NO: UCP2006-0215 2005/08/05 DRAWN: JLOHE 2005/08/10 CHKD: ADERR 2005/08/10 APPR: FSM TH 2005/08/10 REVISIONS L1	QUALITY SYMBOLS	$\nabla=0$ $\nabla=0$															
	GENERAL TOLERANCES (UNLESS SPECIFIED)	<table border="1"> <tr> <th></th> <th>mm</th> <th>INCH</th> </tr> <tr> <td>4 PLACES</td> <td>± .10</td> <td>± .004</td> </tr> <tr> <td>3 PLACES</td> <td>± .12</td> <td>± .005</td> </tr> <tr> <td>2 PLACES</td> <td>± .15</td> <td>± .006</td> </tr> <tr> <td>1 PLACE</td> <td>± .20</td> <td>± .008</td> </tr> </table>		mm	INCH	4 PLACES	± .10	± .004	3 PLACES	± .12	± .005	2 PLACES	± .15	± .006	1 PLACE	± .20	± .008
		mm	INCH														
	4 PLACES	± .10	± .004														
3 PLACES	± .12	± .005															
2 PLACES	± .15	± .006															
1 PLACE	± .20	± .008															
ANGULAR	±1/2°																
DRAFT WHERE APPLICABLE MUST REMAIN WITHIN DIMENSIONS																	

DIMENSION STYLE		IN/MM
DRAWN BY	DATE	TITLE
GWC	3/11/91	CRIMP TERMINAL SOCKET, CLASPCON
CHECKED BY	DATE	
RW	3/11/91	MOLEX INCORPORATED
APPROVED BY	DATE	
GWF	3/11/91	SD-1881-*
MATERIAL NO.	DOCUMENT NO.	SHEET NO.
		1 OF 2

SCALE	DESIGN UNITS	THIRD ANGLE PROJECTION
6:1	INCH	

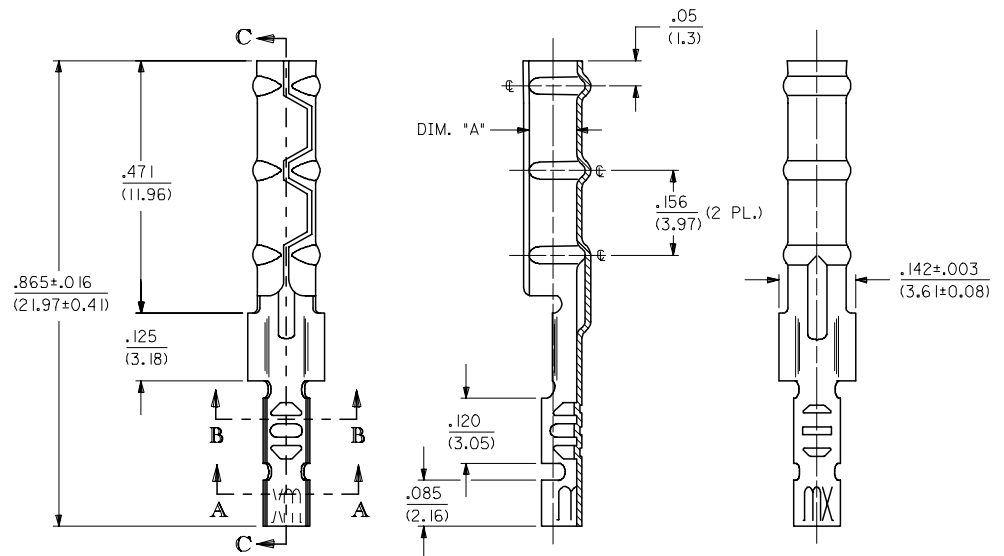
MATERIAL NO.		DOCUMENT NO.	SHEET NO.
SEE CHART		SD-1881-*	1 OF 2

2	L1
1	L1
SHT/REV	

12 11 10 9 8 7 6 5 4 3 2 1

CHART			
PART NUMBER	ENG. NUMBER	DIMENSION "A" (DIA.)	
02-08-1102	1881-2L1A	.085/.090 (2.16/2.29)	
02-08-1101	1881-2C1A		
02-08-1106	1881-2L1B	.083/.088 (2.11/2.24)	OBSOLETE
02-08-1105	1881-2C1B		OBSOLETE
02-08-1104	1881-3L1A	.085/.090 (2.16/2.29)	
02-08-1103	1881-3C1A		
02-08-1107	1881-4C1A	.085/.090 (2.16/2.29)	OBSOLETE
02-08-1108	1881-4L1A		OBSOLETE

1881-3*** TERMINAL SHOWN (24-30 AWG)
SEE SHEET 1 FOR 1881-2*** TERMINAL



LEGEND

1881-***

CRIMP STYLE
2 = 16-24 AWG
3 = 24-30 AWG
4 = 22 AWG

FORM
L = LOOSE
C = CHAIN

BARREL I.D.
A = .085/.090 BARREL I.D.

FINISH
(*P* PRECEEDING FINISH NO. DESIGNATES PREPLATED MATERIAL)
1 = P901 - HOT TIN DIP: .000020/(0.0005) MIN.

- NOTES:
1. MATERIAL: CARTRIDGE BRASS
 2. FINISH: SEE LEGEND
 3. PRODUCT SPECIFICATION: N/A
 4. PACKAGING SPECIFICATION: N/A
 5. 1881 "CLASPCON" SERIES TERMINAL WITH THE STANDARD BARREL I.D. IS INTENDED FOR MATING TO .093/(2.36) DIA. P.C. BOARD PINS.
 6. INITIAL EXTRACTION FORCE TO BE 4.0±1.5 LBS. FROM AN .093/.092 / (2.36/2.34) DIA. PIN AND 2 LBS. MIN. AFTER THE 10TH EXTRACTION ON STANDARD BARREL I.D.

OBSOLETE 02-08-1102 EC NO: UCP2006-0215 DRAWN: JLONE 2005/08/05 CHKD: ADERR 2005/08/10 APPR: FSM TH 2005/08/10 REV L1	QUALITY SYMBOLS ▽=0 ▽=0	GENERAL TOLERANCES (UNLESS SPECIFIED)	DIMENSION STYLE IN/MM	SCALE 6:1	DESIGN UNITS INCH	THIRD ANGLE PROJECTION
		mm INCH	DRAWN BY DATE JWC 3/11/91	TITLE CRIMP TERMINAL SOCKET, CLASPCON		
		4 PLACES ± --- ± --- 3 PLACES ± --- ± .010 2 PLACES ± 0.25 ± .014 1 PLACE ± 0.36 ± --- ANGULAR ±1/2°	CHECKED BY DATE RW 3/11/91	MOLEX INCORPORATED		
		DRAFT WHERE APPLICABLE MUST REMAIN WITHIN DIMENSIONS	APPROVED BY DATE JWF 3/11/91			

Данный компонент на территории Российской Федерации

Вы можете приобрести в компании MosChip.

Для оперативного оформления запроса Вам необходимо перейти по данной ссылке:

<http://moschip.ru/get-element>

Вы можете разместить у нас заказ для любого Вашего проекта, будь то серийное производство или разработка единичного прибора.

В нашем ассортименте представлены ведущие мировые производители активных и пассивных электронных компонентов.

Нашей специализацией является поставка электронной компонентной базы двойного назначения, продукции таких производителей как XILINX, Intel (ex.ALTERA), Vicor, Microchip, Texas Instruments, Analog Devices, Mini-Circuits, Amphenol, Glenair.

Сотрудничество с глобальными дистрибьюторами электронных компонентов, предоставляет возможность заказывать и получать с международных складов практически любой перечень компонентов в оптимальные для Вас сроки.

На всех этапах разработки и производства наши партнеры могут получить квалифицированную поддержку опытных инженеров.

Система менеджмента качества компании отвечает требованиям в соответствии с ГОСТ Р ИСО 9001, ГОСТ РВ 0015-002 и ЭС РД 009

Офис по работе с юридическими лицами:

105318, г.Москва, ул.Щербаковская д.3, офис 1107, 1118, ДЦ «Щербаковский»

Телефон: +7 495 668-12-70 (многоканальный)

Факс: +7 495 668-12-70 (доб.304)

E-mail: info@moschip.ru

Skype отдела продаж:

moschip.ru

moschip.ru_4

moschip.ru_6

moschip.ru_9