

# 3 Phase MegaPAC-EL™ (Low Noise) 4kW MegaPAC-EL™ (Low Noise) AC-DC Switchers

September 2013



Contents	Page
Overview of Product	1
Mechanical Considerations	2
MegaPAC Do's and Don'ts	3
Technical Description	4
Configuring and Reconfiguring MegaPACs	5
ConverterPAC Description	6
Part Numbering	10
Quick Install Instructions	12
Mechanical Drawings	15
Interface Connections	17
Specifications	24
Current Share Boards	26
Low Leakage Version	29



## Overview

The 3 Phase MegaPAC - EL and 4kW MegaPAC - EL are field-configurable, single or multiple output switchers, providing up to 2,000 W (3 Phase MegaPAC/EL- Low Noise) to 4,000 W of output power (4kW MegaPAC/EL-Low Noise). The chassis has 10 slots and provides up to 20 regulated, fully isolated outputs. It achieves power densities of 3.6 W per cubic inch (3 Phase MegaPAC/EL (Low Noise)) to 6.4 W per cubic inch (4kW MegaPAC/EL (Low Noise)). The dimensions for the 3 Phase MegaPAC/EL (Low Noise) are 4.9"H x 7.5"W x 15.2"L (124,5mm x 190,5mm x 429,3mm) and the dimensions for the 4kW MegaPAC/EL (Low Noise) are 4.9"H x 7.5"W x 16.9"L (124,5mm x 190,5mm x 386,1mm). The 4kW MegaPAC/EL (Low Noise) is longer than the 3 Phase MegaPAC/EL (Low Noise) to accommodate a 2nd fan.

A complete power supply is configured by selecting and inserting up to ten same length slide-in output assemblies called ConverterPACs. ConverterPACs incorporate one or two VI-200/VI-J00 and/or MaxiVidor DC to DC converters and are available in a wide selection of output voltage and power levels. The net result is a power supply that offers the advantages of a custom supply, but is assembled from standard and modular building blocks. For detailed information about all ConverterPACs, refer to the ConverterPAC information sheets. The 4kW MegaPAC-EL (Low Noise) uses VI-200/VI-J00 and Maxi Vicor DC to DC converters while the 3 Phase MegaPAC-EL (Low Noise) uses VI-200/VI-J00 Vicor DC to DC converters.

Manufactured at Vicor, the entire family of MegaPAC power supplies is completely user-configurable. If output requirements change, i.e., more power or a different output voltage is needed, upgrading is easy: simply unlock a single screw and replace the slide-in ConverterPAC with another Extended Length ConverterPAC that has the desired voltage power rating. For additional flexibility, same length ConverterPACs can be connected in parallel to increase output power (booster ConverterPACs), or in series for higher voltages (total output voltage should not exceed 400 V). The driver is to the left of the boosters when looking at the output end of the supply. A user-friendly interface provides control and output sequencing capability, in addition to useful status indicators. Please consult our Applications Engineering Department if you have other special requirements.

---

## Standard Features

- Input: 3Æ 208/240 Vac Wye or Delta, 1Æ 180-264 (47-500Hz) or 260–352 Vdc
- Power Output: 3 Phase MegaPAC: 2,000 W with 3Æ input; 1,200 W with 1Æ input  
4kW MegaPAC: 4,000 W with 3Æ input; 1,500 W with 1Æ input
- 10 slots (upto 20 outputs)
- Fan cooled (4kW MegaPAC-EL has 2 fans)
- Full power to 45°C; half power to 65°C
- Power Factor Correction - passive - to 0.92 PF (3Æ input)
- Conducted EMI meets EN 55022 Level A
- AC Power OK and AC Power Fail status signals
- Output Sequencing and General Shutdown  
(Consult Applications Engineering for automatic sequencing circuitry.)
- Auto Sense capability Refer to page 12 and page 16 for more information on Autosense
- Overcurrent protection on all outputs
- Overtemperature limiting (not applicable with VI-J00)
- Overvoltage protection (not applicable with VI-J00 modules)
- Size: 3 Phase MegaPAC - EL: 4.9"H x 7.5"W x 15.2"L  
(124,5mm x 190,5mm x 429,3mm) Extended chassis  
Size: 4kW MegaPAC - EL: 4.9"H x 7.5"W x 16.9"L  
(124,5mm x 190,5mm x 386,1mm) Extended chassis
- Safety Agency Approvals: cURus, cTUVus, CE Mark

## Optional Features

- DC OK status signal
- Output voltage adjustment range with built-in potentiometer
- Reversed fan airflow direction
- Current Share Boards - see page 25

## Mechanical Considerations

The 3 Phase MegaPAC - EL and 4kW MegaPAC - EL can be mounted on any of four surfaces using standard 8-32 or 4mm screws. The chassis comes with four mounting points on each surface; maximum allowable torque is 20 lb-in. The maximum penetration is 0.15 in. (3,8mm).

When selecting a mounting location and orientation, the unit should be positioned so air flow is not restricted. Maintain a 2" minimum clearance at both ends of the 3 Phase MegaPAC - EL and 4kW MegaPAC - EL and route all cables so airflow is not obstructed. The standard unit draws air in at the fan side/AC input side and exhausts air out the load side. If airflow ducting is used, use caution, as sharp turns could present back pressure to the 3 Phase MegaPAC - EL and 4kW MegaPAC - EL. For the 4kW MegaPAC - EL, the fans move approximately 50 CFM of air while for the 3 Phase MegaPAC -EL, the fan moves approximately 30 CFM of air. The 4kW MegaPAC - EL has a second fan for additional cooling.

Avoid excessive bending of output power cables after they are connected to the 3 Phase MegaPAC - EL or the 4kW MegaPAC - EL. For high-current outputs, use cable ties to support heavy cables in order to minimize mechanical stress on output studs. Be careful not to short-out to neighboring output studs. The 3 Phase MegaPAC - EL and

---

4kW MegaPAC - EL are supplied with serrated, flanged hex-nuts on all output studs. Therefore, thread locking compounds or lock washers are not required. The maximum torque recommended on flanged nuts is 45 lb-in. Never loosen the inner nut on a ConverterPAC. This nut supports the hardware inside the ConverterPAC and is factory torqued.

Avoid applications in which the unit is exposed to excessive shock or vibration levels. In such applications, a shock absorption mounting design is required.

### MegaPAC Do's and Don'ts

- For units without Autosense, **do not leave ConverterPAC Sense lines open. Always terminate them to their respective outputs locally or at the load. Use twisted pair 22-24 AWG wire. If ConverterPAC has Autosense, no local sense connection is required.** See page 12 and 16 for more information on Autosense.
- If needed, use Connector Kit # 19-130041 for the 3 Phase/4kW MegaPACs/EL - Low Noise.
- **Always fill all output slots of the MegaPAC. If a slot is not filled with a ConverterPAC, it should be filled with an airblock.** Airblocks are plastic assemblies whose main function is to fill up an empty slot. Any airflow escape from an empty slot significantly degrades thermal performance, and can result in overheating and damage to the power supply.
- **Do not unplug ConverterPACs while input power is applied. They are not designed for hot-plug applications.**
- **Do not restrict airflow to the unit. Leave 2 inch minimum space in front and behind the supply.** The cooling fan draws air into the unit and forces it out at the output power terminals.
- For power expansion, use booster ConverterPACs. Viewing the unit from the output terminal side, always insert boosters to the right side of the driver.
- Do not use boosters as independent outputs. Disconnecting bus bars will damage booster ConverterPACs.
- Always ensure that output hex-nuts are properly torqued before applying power to supply.
- For booster arrays, **do not remove busbars.**
- Run the output (+/-) power cables next to each other to minimize inductance.
- Wait 5 minutes after shutting off power before inserting or removing ConverterPACs.
- The MegaPACs does not have user serviceable components. They must be returned to the factory for repairs. Contact Customer Service for a RMA number before returning the unit. Do not attempt to repair or modify the power supply in any manner other than the exchange of ConverterPACs as described in this Design Guide.
- Insert proper fault protection at power supply input terminals (i.e., a fuse).
- Use proper size wires to avoid overheating and excessive voltage drop.
- Never loosen the inner nut on a ConverterPAC.
- Verify output nuts are tight before powering up.
- Keep in mind that the Regular Length ConverterPACs cannot be inserted in the 3 Phase/4kW MegaPAC/ELs - Low Noise chassis because the Regular Length ConverterPACs are too short to fit in the extended length chassis. The Extended Length ConverterPACs are sometimes referred to as the **QuietPAC (or QPAC)** Family of Low Noise ConverterPACs.
- Currently, the QPAC (XQ) is only used in the 4kW MegaPAC/EL (Low Noise).

## Technical Description

The 3 Phase MegaPAC - EL and 4kW MegaPAC - EL are configured by installing same length ConverterPAC assemblies into the chassis. The chassis takes AC input power and performs filtering and rectification functions. The ConverterPACs plug into a high-voltage backplane and provide low-noise, independently regulated and fully isolated outputs.

Input AC mains voltage (L1, L2, L3 and GND) is applied to an agency approved mating plug. The input current is passed through an EMI filter designed to meet EN 55022 Level A before it is passed to a three-phase full-wave bridge rectifier. The rectifier charges storage capacitors and delivers unregulated 300 Vdc to a backplane after passing through a large choke that improves input power factor. The power factor typically exceeds 0.9 depending upon load, line voltage, frequency and line balance. Inrush current is actively controlled with an IGBT and never exceeds 30 A peak regardless of hot or cold starts or input voltage.

A housekeeping supply, isolated from the AC input, powers the brushless DC cooling fan and other input monitoring circuits, in addition to providing an auxiliary +5 V power source for the user. **The 4kW MegaPAC - EL has a second fan for extra cooling.** Excessive input currents caused by loss of a phase or excessive output loading in single phase operation will safely shut down the unit until input power is recycled. This occurs when the peak input current reaches 30 A. An analog temperature monitor is provided, as well as overtemperature shutdown. An active-high TTL compatible Enable control is included for each ConverterPAC assembly, as well as an active-low General Shutdown control; the polarities, active-high or active-low, are factory set. Two (or more) 3 Phase MegaPAC - ELs can be safely paralleled with accurate current sharing for high power systems. Two (or more) 4kW MegaPAC - ELs can be safely paralleled with accurate current sharing for high power systems. All interface signals are safety isolated using a common floating return.

Upon power-up, all outputs are first disabled to limit the inrush current, and to allow the unregulated bus to reach correct operating levels for ConverterPAC assemblies. The internal housekeeping supply comes up within 500 ms after input power is applied, and the AC Power OK signal asserts to a TTL "1," indicating the input power is OK. The low voltage power outputs come up within 10-20 ms after the AC Power OK asserts to a TTL "1." Output ramp-up time from Enable or General Shutdown is 10-20 ms. Output fall time from Disable is dependent on load, but is typically a few hundred microseconds.

Figure 1.  
3 Phase MegaPAC - EL and  
4kW MegaPAC - EL Architecture



## Configuring and Reconfiguring MegaPACs

Most ConverterPACs of the same length can be easily added, replaced, or moved by sliding the assemblies in or out of a MegaPAC chassis. They are driver QPAC ConverterPACs and can be inserted into any available slot. For outputs greater than 200 Watts, a driver QPAC and one or more booster QPACs will be used. For outputs greater than 500 Watts, a driver QPAC (XQ) (in the 4kW MegaPAC - EL) and one or more booster QPAC (XQs) will be used. Arrays of drivers and boosters should be configured so all boosters are placed in the slots to the immediate right of the driver when looking at the output end of the MegaPAC.

**Prior to removing or installing ConverterPACs, you must remove power from the MegaPAC and wait 5 minutes. Failure to do so can result in personal injury or damage to the supply.**

**Take standard ESD precautions when handling ConverterPACs.**

### Removing QPAC ConverterPACs

ConverterPACs can be removed by loosening the captive screw at the base. Once this screw has been loosened, the ConverterPAC will slide out of the chassis. **Once a ConverterPAC has been removed, the empty slot MUST be filled with either another ConverterPAC or an airblock.** If the slot is left empty, it will provide an airflow escape and cause failure to the power supply.

### Installing ConverterPACs as Drivers

ConverterPACs can be installed in empty slots by simply sliding in the new ConverterPAC and securing the screw at the base. Torque the retaining screw to 0.23N-m (2lb-in); do not overtighten. Power and interface connections can be made after the ConverterPAC has been installed.

### Installing Booster ConverterPACs to Increase Output Power

Most ConverterPACs of the same length can be paralleled for more power. Additional power to an output is obtained by connecting one or more boosters in parallel with a single driver. The driver can be placed in any open slot. All boosters should be inserted in the slots to the immediate right of the driver, as viewed from the output end of the MegaPAC. Figure 2 shows a driver placed in slots #1 and 3 boosters placed in slots # 2 to 4. After inserting the driver and boosters, they are paralleled using bus bars across the positive and negative output studs. Drivers should not be paralleled with each other. For the 3 Phase/4kW MegaPAC/ELs (Low Noise), all the driver and booster ConverterPACs must consist of the Extended Length ConverterPACs. Bus bars between a driver and booster (s) should never be disconnected. For help in identifying boosters and drivers, refer to the section on Part Numbering on page 9. Please note that total output voltage should not exceed the converter baseplate-output isolation rating of 400 V. For detailed guideline on how outputs should be placed in series, please refer to the Applications note available on the website at [www.vicorpower.com](http://www.vicorpower.com).

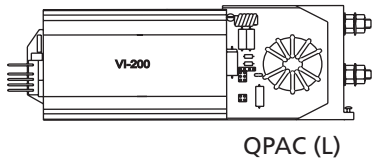
Figure 2.  
Paralleling ConverterPACs



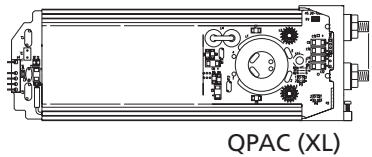
---

## ConverterPAC Functional Description (See ConverterPAC Datasheet/Design Guide for complete information on all ConverterPACs.)

ConverterPACs are the family of slide-in output assemblies used in MegaPAC power supplies. Most ConverterPACs of the same length are interchangeable within a MegaPAC or between different AC input MegaPAC chassis. They can be added, moved, or changed as necessary. **A key feature of the Extended Length ConverterPAC is the low ripple and noise output to 10mV p-p or 0.15%, whichever is greater.** The following ConverterPACs can be used in the 3 Phase MegaPAC - EL and 4kW MegaPAC - EL.



QPAC (L)



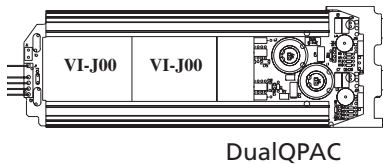
QPAC (XL)

### QPAC (L or XQ)

The QPAC (L) and QPAC (XQ) output assemblies consist of a VI-200/VI-J00 and a Maxi Vicor DC to DC converters respectively. They convert the unregulated high voltage bus to the desired regulated output voltage. Each QPAC (L) can provide up to 200 Watts of output power, and booster QPACs can be added in parallel for more power. Each QPAC (XQ) can provide up to 500 Watts of output power and slave QPACs can be added in parallel for more power. The QPAC (XQ) can only be used in the 4kW MegaPAC-EL (Low Noise). An active preload ensures the DC to DC converter operates in its highest noise performance range. As the load on the module increases, the preload removes itself from the circuit. Ripple and common mode noise filters on the output reduce ripple under any load condition to 10 mV p-p or 0.15%, whichever is greater. QPACs can only be ordered in the extended length Low Noise MegaPAC products. **Please note that for all QPACs, the output voltage from either output terminal to chassis should not exceed 400 Volts DC, or peak.**

### DualQPAC (LD)

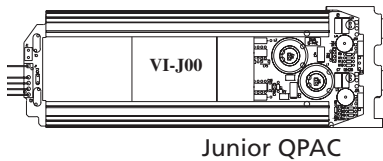
The DualQPAC output assembly consists of two VI-J00 Vicor DC to DC converters that provides two isolated output voltages. DualQPACs can provide up to 100 Watts of output power from each output. An active preload ensures the DC to DC converters operate in their highest noise performance range. As the load on the module increases, the preload removes itself from the circuit. Ripple and common mode noise filters on the output reduce ripple under any load condition to 10 mV p-p or 0.15%, whichever is greater. DualQPACs can only be ordered in the extended length Low Noise MegaPAC products. **Please note that for all DualQPACs, the output voltage from either output terminal to chassis should not exceed 400 Volts DC, or peak.**



DualQPAC

### Junior QPAC (LJ)

The Junior QPAC output assembly consists of one VI-J00 Vicor DC to DC converters that provide one isolated output voltages. The Junior QPAC can provide up to 100 Watts of output power from each output and can only be ordered in the extended length Low Noise MegaPAC products. **Please note that for all Junior QPACs, the output voltage from either output terminal to chassis should not exceed 400 Volts DC, or peak.**



Junior QPAC

**List of ConverterPACs used and their features**

<b>ConverterPAC</b>	<b>OVP</b>	<b>OCP</b>	<b>OTL</b>	<b>RS/AS*</b>	<b>LS/AS*</b>	<b>PG</b>	<b>TrimPot</b>
QPAC (L )	Std	Std	Std	AS*	AS*	Opt	Opt
QPAC (XQ)**	Std	Std	Std	Std	Opt	Opt	Opt
DualQPAC (LD)	N/A	Std	N/A	AS*	AS*	Std	N/A
Junior QPAC (LJ)	N/A	Std	N/A	AS*	AS*	Opt	Opt

\* See page 12 and 16 for more information on Autosense.

\*\* **Currently, the QPAC (XQ) can only be used in the 4kW MegaPAC/EL.**

**OVP** Overvoltage Protection (latching)

**OTL** Overtemperature Limiting (latching)

**PG** Power Good (DC OK TTL Signal)

**OCP** Overcurrent Protection (auto-recovery)

**RS** Remote Sense

**LS** Local Sense

**AS** Autosense

## ConverterPAC Output and Connector Pin Identification - 3 Phase/4kW MegaPACs/EL (Low Noise)

QPAC (L and XQ)  
Jr. QPAC



P2 REMOTE SENSE TRIM/SC  
& POWER GOOD

MATING HDWR:

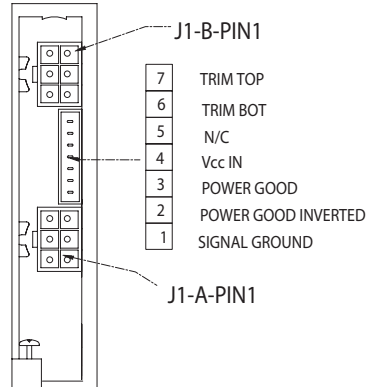
HOUSING- MOLEX P/N: 39-01-0073

TERMINALS- MOLEX P/N: 39-00-0031

CRIMP TOOL MOLEX P/N: 57005-5000

7	+SENSE
6	-SENSE
5	TRIM
4	Vcc IN
3	POWER GOOD
2	POWER GOOD INVERTED
1	SIGNAL GROUND

DualPAC



J1-B (OUTPUT CONNECTORS)

4	1	1 AND 4 +V OUT
5	2	2 AND 5 -V OUT
6	3	3 +R/SENSE 6 -R/SENSE

MATING HDWR:

HOUSING- MOLEX P/N: 39-01-2060

TERMINALS- MOLEX P/N: 39-00-0039

CRIMP TOOL MOLEX P/N: 11-01-0197

J1-A (OUTPUT CONNECTORS)

4	1	1 AND 4 +V OUT
5	2	2 AND 5 -V OUT
6	3	3 +R/SENSE 6 -R/SENSE

MATING HDWR:

HOUSING- MOLEX P/N: 39-01-2060

TERMINALS- MOLEX P/N: 39-00-0039

CRIMP TOOL MOLEX P/N: 11-01-0197



---

## Part Numbering

### 3Ø MegaPAC-EL

**MP\*x<sub>A</sub>-5x<sub>B</sub>xxx-EL**

eg. MP4-510108-EL

**MP** = MP

**x<sub>A</sub>** = number of outputs

**5** = 3Ø MegaPAC - EL Prefix

**x<sub>B</sub>** = number of modules

**xxx** = assigned by Vicor

**EL** = Indicates extended length chassis for use with QPACs

### 4kW MegaPAC-EL

**MP\*x<sub>A</sub>-4x<sub>B</sub>xxx-x<sub>G</sub>-x<sub>H</sub>-EL**

With VI-200/VI-J00

eg. MP10-410008-23-EL

With Maxi

eg. MX10-410008-23-EL

**MP** = MP

**x<sub>A</sub>** = number of outputs

**4** = 4kW MegaPAC chassis

**x<sub>B</sub>** = number of modules

**xxx** = assigned by Vicor

**x<sub>G</sub>** = Optional Code 2 = VI-J00 or VI-200 module in slot #1; 3 = Maxi in Slot 1

**x<sub>H</sub>** = Optional Code 2 = VI-J00 or VI-200 module in slot #10; 3 = Maxi in Slot 10

**EL** = Indicates extended length chassis for use with QPACs

\* If a Maxi module is used, the part number changes from MP to MX.

### ConverterPAC

**Xx<sub>D</sub>V/x<sub>E</sub>Ax<sub>F</sub>**

eg. L15V/10A

eg. L15V/10ADFIL

eg. LD15V/6.7A-12V/8.3AT

**X** = ConverterPAC type - If RoHS precede with a "G"

**L** = QPAC    **LD** = DualQPAC    **LJ** = Jr QPAC    **XU** = Maxi QPAC

**XU** = UniPAC (currently only used in the 4kW MegaPAC)

**x<sub>D</sub>** = Voltage out

**x<sub>E</sub>** = Current out (rounded to 1 decimal point)

**x<sub>F</sub>** = Can be multiple options\* (see below)

\* ConverterPAC options

<b>B</b> Booster module	<b>M</b> Military Grade module
<b>D</b> DC OK or Power Good <sup>1</sup>	<b>P</b> Preload
<b>F</b> Full 50-110% output adjustment <sup>2</sup>	<b>R</b> RAM external <sup>3</sup>
<b>F1</b> 50-107.5% output adjustment	<b>S</b> Trimpot removed for external BatPAC adjustment
<b>F2</b> 50-105% output adjustment	<b>T</b> 90-110% output adjustment <sup>4</sup>
<b>F3</b> 50-102.5% output adjustment	<b>T1</b> 90-107.5% output adjustment
<b>F4</b> 50-100% output adjustment	<b>T2</b> 90-105% output adjustment
<b>F5</b> 60-110% output adjustment	<b>T3</b> 90-102.5% output adjustment
<b>F6</b> 70-110% output adjustment	<b>T4</b> 90-100% output adjustment
<b>F7</b> 80-110% output adjustment	<b>T5</b> 100-105% output adjustment
<b>F8</b> 90-110% output adjustment	<b>T6</b> 100-110% output adjustment
<b>F9</b> 100-110% output adjustment	<b>V1</b> "VXI" low noise (150 mV or less) for 24 V outputs <sup>5</sup>
<b>I</b> Industrial Grade module	<b>V2</b> "VXI" low noise (50 mV or less) for outputs <24 V
<b>K</b> Custom SRF module used	<b>V3</b> 1% ripple for outputs >24 V

[1] **D option:** Optional for all ConverterPACs EXCEPT the DualPAC, BatPAC

[2] **F option:** Optional for all ConverterPACs EXCEPT the BatPAC and DualQPAC

[3] **R option:** When using an external RAM, components such as autosense resistors and local sense jumpers must be removed before turning on the supply. In addition, in order to insure proper operation, sense pins must be connected either locally or remotely after the RAM's output. For further information, contact Applications Engineering.

[4] **T options:** Optional for all ConverterPACs EXCEPT the BatPAC and DualQPAC

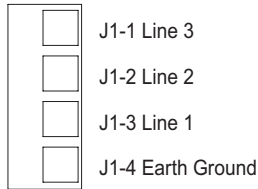
[5] **V options:** Optional ONLY on the ModuPAC, DualPAC and JuniorPAC. N/A on all other ConverterPACs.

### 3 Phase and 4kW MegaPAC-EL

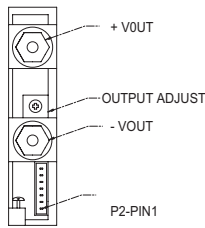
**"Quick Install" Instructions** (For Mechanical Drawing, see page 14 & 15)

#### Mounting the 3 Phase MegaPAC-EL and/or 4kW MegaPAC-EL

- The 3 Phase MegaPAC - EL and 4kW MegaPAC - EL can be mounted on any of four sides.
- Use #8-32 or 4mm mounting screws. Maximum penetration should not exceed 0.15" (3,8mm).
- **A minimum of 2" (5,1cm) clearance must be maintained at either end of the supply in order to insure proper airflow and cooling.**
- Maximum allowable torque is 20 lb-in.



Input Panel Connectors



Single Output ModuPAC

J1-A (OUTPUT CONNECTORS)

4	1	1 AND 4 +V OUT
5	2	2 AND 5 -V OUT
6	3	3 +R/SENSE 6 -R/SENSE

J1-B (OUTPUT CONNECTORS)

4	1	1 AND 4 +V OUT
5	2	2 AND 5 -V OUT
6	3	3 +R/SENSE 6 -R/SENSE

DualPAC Output Connector

#### Input Connections

##### Input Power J1

- Input AC power is applied to terminal block J1 using mating receptacle AMP #54483-4 with #53892-4 crimp or #54329-1 solder terminals provided.
- Use size 12 AWG wire with soldered terminals.
- A fuse or circuit breaker in the input line is required for safety reasons.

#### Output Connections

##### Power Connections

Installing ring lugs and/or bus bars on output studs:

- The upper stud is Positive and the lower stud is the Return.
- Remove outer nut. **Do not remove or loosen inner nut.**
- Place ring lug over output stud.
- Replace and tighten outer nut to a maximum torque of **45 lb-in.**
- **Do Not Over-Tighten Nuts.**
- **Verify all output nuts are properly installed before turning on supply.**

Installing power connectors on DualPACs (J1A and J1B):

- Use Molex mating receptacle #39-01-2060 with #39-00-0039 terminals provided.
- Pins 1 and 4 are Positive, while pins 2 and 5 are the Return.
- Attach terminals to 18-24 AWG stranded wire using Molex tool #11-01-0197.

## 3 Phase and 4kW MegaPAC-EL “Quick Install” Instructions (Cont.)

### Sense Connections

Note: Newer power supplies may have a new feature installed called Autosense. For units with Autosense, if Remote Sense connections are not made or needed, no Local Sense selection is necessary - simply connect the output to the load and the unit will automatically operate in Local Sense. If Remote Sense connections are made, the unit will operate in a Remote Sense mode. Remote Sense terminals should be terminated to their respective outputs i.e. - RS to - Output and + RS to + Output. See page 16 for more information on Autosense.

**For units without Autosense, sense connections must always be made. Not connecting Sense lines to their respective outputs can cause failure to the unit.**

### Sense Connections on QPACs and Junior QPAC:

7	+SENSE
6	-SENSE
5	TRIM
4	Vcc IN
3	POWER GOOD
2	POWER GOOD INVERTED
1	SIGNAL GROUND

QPAC and Jr. QPAC  
Sense Connectors

- Sense connections do not have to be made if the Local Sense option has been ordered. (An “L” after the current rating means the Local Sense option has been installed; e.g., L5 V/40 AL.)
- Use Molex mating receptacle #39-01-0073 and #39-00-0031 terminals provided.
- P2-7 is the +Sense and P2-6 is the -Sense.
- Attach terminals to 22-28 AWG twisted pair wire using Molex tool #57005-5000.
- Attach opposite end of Sense lines to point where regulation is desired.
- **Verify that Sense lines are not cross-connected before applying input power.**

### Sense Connections on DualQPACs:

J1-A (OUTPUT CONNECTORS)		
4	1	1 AND 4 +V OUT
5	2	2 AND 5 -V OUT
6	3	3 +R/SENSE 6 -R/SENSE
J1-B (OUTPUT CONNECTORS)		
4	1	1 AND 4 +V OUT
5	2	2 AND 5 -V OUT
6	3	3 +R/SENSE 6 -R/SENSE

Dual QPAC  
Sense Connectors

- Sense connections do not have to be made if the Local Sense option has been ordered. (An “L” in the ConverterPAC part number means the Local Sense option has been installed; e.g. D5 V/20 AL-12 V/4.2 AL.)
- Sense connections are available on the P2 connector or the J1A and J1B connectors. Either can be used.
- Using J1A, J1B, pin 3 is the +Sense and pin 6 is the -Sense.
- Use Molex mating receptacle #39-01-2060 with #39-00-0039 terminals provided.
- Attach terminals to 18-24 AWG stranded wire using Molex tool #11-01-0197.
- Attach opposite end of Sense lines to point where regulation is desired.
- **Verify that Sense lines are not cross-connected before applying input power.**

### P2 Trim Connection for QPACs and Junior QPAC

7	+SENSE
6	-SENSE
5	TRIM
4	Vcc IN
3	POWER GOOD
2	POWER GOOD INVERTED
1	SIGNAL GROUND

Trim Pin Connector  
for QPACs and Jr. QPAC

- The P2 remote Trim connection should only be used if the local Trim option has not been installed. (A “T” or an “F” in the ConverterPAC part number means the Trim option is installed; e.g. M5 V/40 AT.)
- P2-5 provides Trim access.
- Use Molex mating receptacle #39-01-73 with #39-00-0031 terminals provided.
- Attach terminals to 22-28 AWG stranded wire using Molex tool 57005-5000.

### 3 Phase and 4kW MegaPAC-EL “Quick Install” Instructions (Cont.)

7	TRIM TOP
6	TRIM BOT
5	N/C
4	Vcc IN
3	POWER GOOD
2	POWER GOOD INVERTED
1	SIGNAL GROUND

Trim Pin Connector  
for DualQPAC

#### P2 Trim Connection for DualQPACs

- The P2 Trim connection should only be made if the Trim option has not been installed. (A “T” or an “F” in the ConverterPAC part number means the Trim option is installed; e.g. M5 V/40 AT.)
- P2-7 is Trim A and P2-6 is Trim B.
- Use Molex mating receptacle #39-01-0073 and #39-00-0031 terminals provided.
- Attach terminals to 22-28 AWG twisted pair wire using Molex tool #57005-5000.

7	+SENSE
6	-SENSE
5	TRIM
4	Vcc IN
3	POWER GOOD
2	POWER GOOD INVERTED
1	SIGNAL GROUND

DC OK (Power Good) for  
QPACs and Jr. QPAC

#### DC OK (Power Good) for QPACs and Junior QPAC

- DC OK is only available as an option and is not always present.
- P2-3 is Power Good
- Use Molex mating receptacle #39-01-0073 with #39-00-0031 terminals provided.
- Attach terminals to 22-28 AWG stranded wire using Molex tool #57005-5000.

7	TRIM TOP
6	TRIM BOT
5	N/C
4	Vcc IN
3	POWER GOOD
2	POWER GOOD INVERTED
1	SIGNAL GROUND

DC OK (Power Good)  
for DualQPAC

#### DC OK (Power Good) for DualQPACs

- DC OK is standard on DualQPACs and gives notice if either output fails to regulate.
- P2-3 is Power Good.
- Use Molex mating receptacle #39-01-0073 and #39-00-0031 terminals provided.
- Attach terminals to 22-28 AWG twisted pair wire using Molex tool #57005-5000.

#### Interface Connections J10

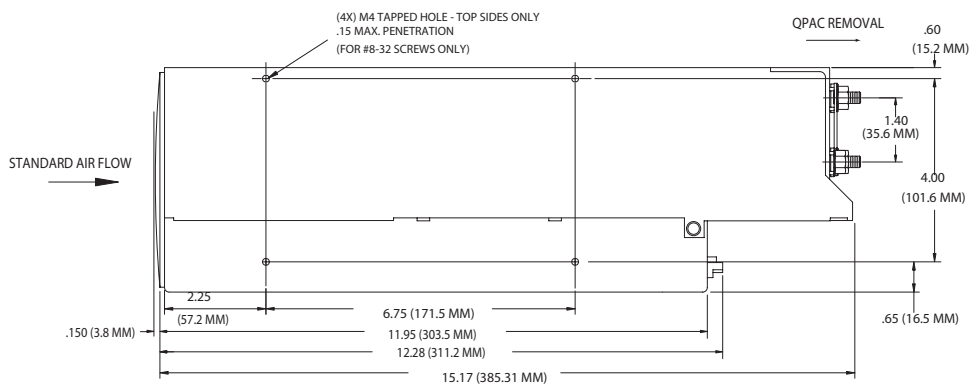
- J10-7 to 11 and J10-20 to 24 are Enable/Disable for slots 1-10.
- J10-16, 17 are Vcc, J10-12 and 15 are Signal Ground, J10-18 is AC Power OK, and J10-5 is General Shutdown.



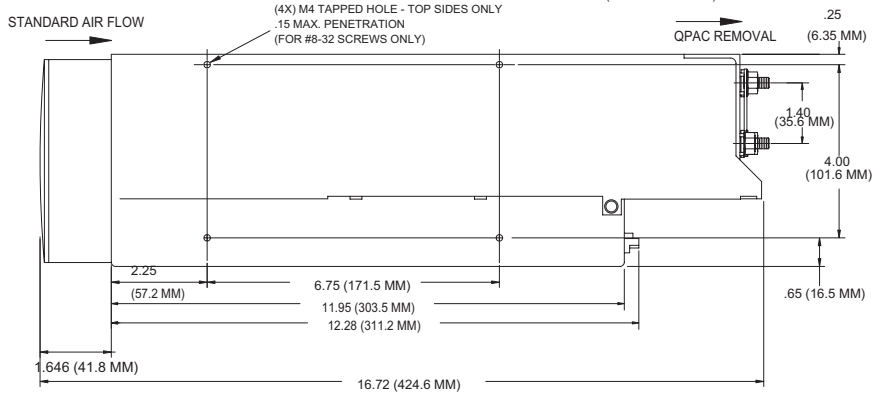
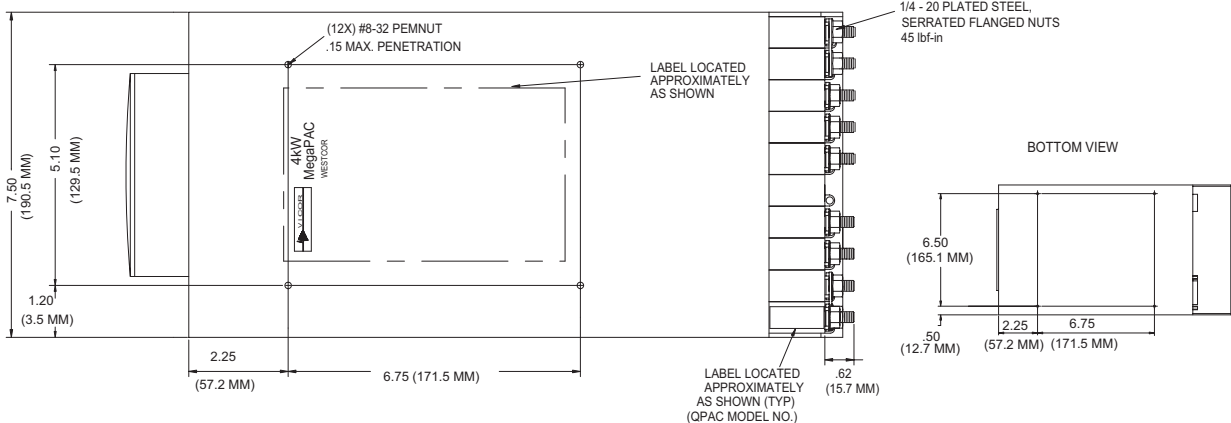
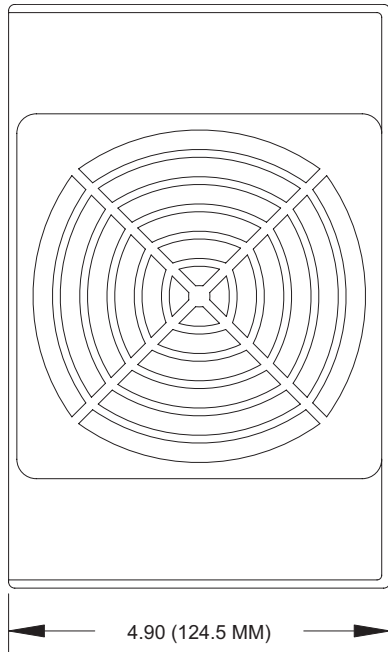
J10 INTERFACE CONNECTOR IDENTIFICATION

1	Signal Ground	14	Phase Fail
2	Signal Ground	15	Signal Ground
3	Overtemperature Warning	16	Vcc +5 volt, 300 mA
4	Analog Temperature	17	Vcc +5 volt, 300 mA
5	General Shutdown	18	A.C. Power OK
6	No Connection	19	A.C. Power Fail
7	Enable/Disable # 10	20	Enable/Disable # 9
8	Enable/Disable # 8	21	Enable/Disable # 7
9	Enable/Disable # 6	22	Enable/Disable # 5
10	Enable/Disable # 4	23	Enable/Disable # 3
11	Enable/Disable # 2	24	Enable/Disable # 1
12	Signal Ground	25	Gate # 10 (Output (Isolated))
13	Gate # 1 Input (isolated)		

### 3 Phase MegaPAC - EL Mechanical Drawings



# 4kW MegaPAC - EL Mechanical Drawings



---

## Interface Connections

### Chassis Input Power Terminals (J1)

Input AC power is applied to a plug-in connector, J1, that accepts soldered terminals with a wire size of 12 AWG. For operation on high voltage DC input, input power can be connected to any two input lines. A fault-clearing device should be installed at the input of the unit. A user-accessible input fuse is not present within the unit. For an output of 2,000 W - 4,000 W with operation on 208 Vac, 3Æ input, a 20 A fuse in each input line is acceptable. Input power cables should be shielded to minimize radiated noise effects.

Figure 3.  
Input Panel Connector



### Output Power Connections (+P, -P for Single Output, or J1A/J1B for Dual Outputs)

For single output ConverterPACs, these terminals are two 1/4-20 plated steel studs. The upper stud is positive with respect to the lower stud. For dual output ConverterPACs, there is a 6-pin Molex connector for each output. J1A pins 1 and 4 are the +Output, and J1A pins 2 and 5 are the -Output. Pins 3 and 6 are the Remote Sense terminals. Use appropriate wire size rated to handle the full output current, including short circuit levels. Avoid large current loops in output cables; run power and return cables next to one another to minimize inductive effects. All outputs are isolated and can provide positive or negative outputs.

### Output +/-Sense Connections (P2 for Single Output, or J1A/J1B for Dual Outputs)

Newer power supplies may have some outputs configured with the Autosense feature that automatically locally senses the output if remote sense is not used. To check if an output has the Autosense feature, measure the impedance from the + Out to + Sense and - Out to - Sense pins. If the impedance is 5 ohms, then the output has Autosense and does not require local sense jumpers.

For units without Autosense, sense connections must be made. When making sense connections, keep in mind that although all outputs are open-Sense protected, the +/-Sense terminals **MUST** be connected to their respective outputs before the 3 Phase MegaPAC - EL and 4kW MegaPAC - EL is powered up. Regardless of the output polarity configured, the +Sense should always connect to the +Power output. The -Sense connects to the -Power output. Sense connections are not required on booster ConverterPACs, BatPACs, or if the Local Sense option is specified. Sense pins can be accessed either on P2-6/P2-7 or J1A/J1B on dual output units.

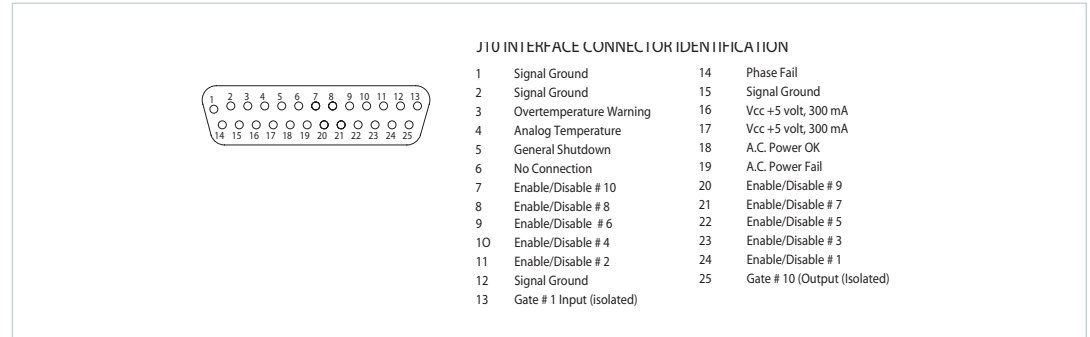


## Interface Connections (Cont.)

### Signal Ground (J10-1, J10-2, J10-12, J10-15)

Signal Ground (see Figure 4) is an isolated ground reference for all J10 interface signals used as a reference for ConverterPAC output status signals such as Power Good. This is not the same as Earth Ground on input power connector J1.

Figure 4.  
Interface Connector (J10)



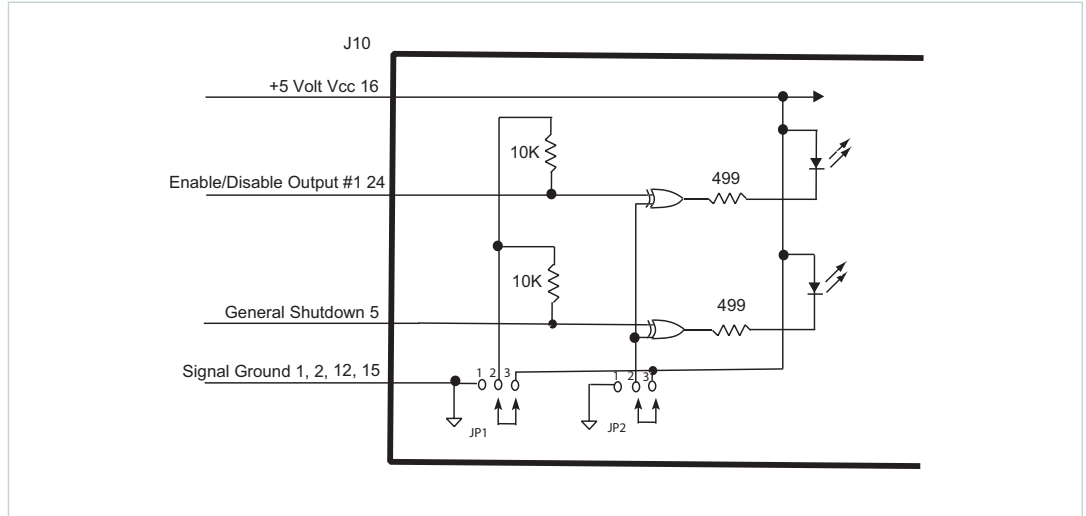
### Enable/Disable and General Shutdown (GSD)

The Enable/Disable control lines allow ConverterPAC outputs to be sequenced either on or off. For DualQPACs, both outputs are sequenced. In parallel arrays, only the driver ConverterPAC needs to be sequenced. The GSD control line on J10-5 allows simultaneous shutdown of all ConverterPAC outputs. An internal factory-configured jumper selects polarity, either active-high or active-low. Another jumper selects a pull-up or pull-down source for the HCMOS control inputs.

The standard Enable/Disable controls are configured as active-low with internal pull-up; outputs are enabled when these pins are open-circuited or allowed to exceed 4.5 V with respect to Signal Ground. Outputs are disabled when the Enable/Disable control lines are pulled low to less than 0.7 V. The GSD control line is configured to be active-low with internal pull-up; all outputs are simultaneously inhibited when the GSD control line is pulled low to less than 0.7 V. All outputs are enabled when GSD is open circuited or allowed to exceed 4.5 V. The polarity of both the ED and GSD lines as well as pullup or pull down can be reversed as a factory option per below diagram. Do not apply more than 5 V to these inputs at any time. The E/D and GSD circuits will sink up to 0.6 mA. If driven from an electromechanical switch or relay, a small capacitor should be connected between the control line and Signal Ground to eliminate latch-up due to the effects of switch bounce (1mF, typical).

## Interface Connections (Cont.)

Figure 5.  
Enable/Disable and  
General Shutdown



### Enable/Disable Control of Maxi Module Arrays

When using the Enable/Disable function on an output that consists of two or more Maxi modules, it is necessary to connect the E/D pins of the corresponding module locations together such that both modules are commanded to turn ON or OFF simultaneously.

**Example:** Slots 1 through 6 have been configured as a single output parallel array (see Fig. 6)

In order to disable this array, E/Ds 1 through 6 should be shorted together as shown in Fig. 6. With the E/Ds connected together, a single switch can then be used to remotely enable and disable the output.

**\*\*Note:** Note: For single output power supply configurations, the simplest method of remotely enabling and disabling the output is to use the General Shutdown (GSD) function.

Figure 6.  
Enable/Disable Control  
of Maxi Arrays

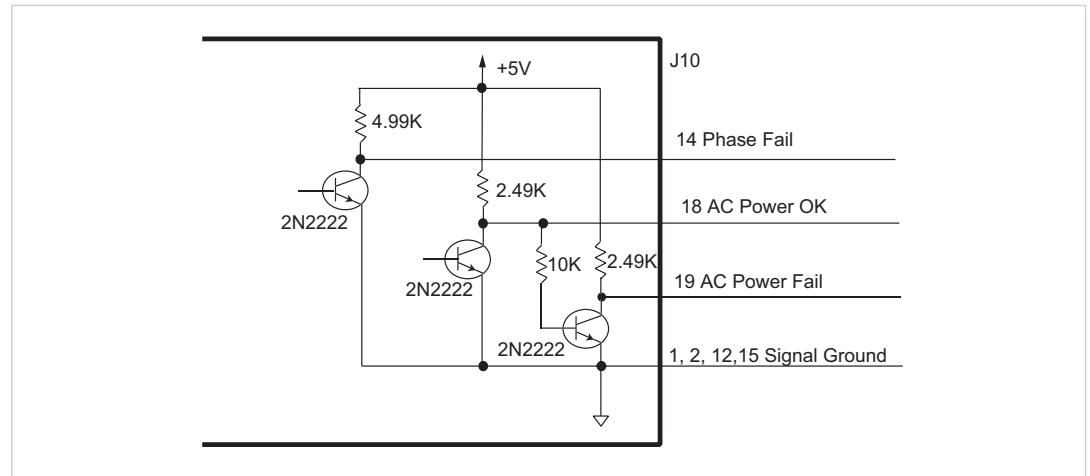


## Interface Connections (Cont.)

### AC Power OK (J10-18)

This signal on J10-18 provides a status indication of the AC input power (see Figure 7). It is active high, TTL compatible and capable of sourcing 10 mA maximum. This signal switches to a TTL "1" when the high voltage bus exceeds low-line condition during turn-on, and switches to a TTL "0" 3 ms (minimum) before loss of output regulation due to the loss of input AC power. This signal can be used to warn external control circuits of an impending loss of power.

Figure 7.  
AC OK/Power Fail



### AC Power Fail (J10-19)

J10-19 is the inverse of AC Power OK, and goes to a TTL "1" when the input AC power is not OK. It is capable of sourcing 10 mA maximum. The fan out is 20.

### Phase Fail (Input Overcurrent) (J10-14)

J10-14 is a TTL level active-high signal that is asserted when the peak input current reaches 30 A due to the loss of an input phase or severe line imbalance. This occurs when one input phase is lost with approximately 1,400 W output loading. Maximum current that can be sourced is 10 mA.

### Overtemperature Warning (J10-3)

J10-3 is a signal that asserts a TTL level "1" if the air temperature exceeds the following factory set levels. The warning trip point is 65°C to 76°C, typically, and recovery point is 60°C to 71°C, typically.

### Overtemperature Shutdown

If the inlet ambient air temperature exceeds the following factory set levels, the outputs are disabled. The shutdown trip point is 70°C to 81°C, typically, and recovery point is 40°C to 48°C, typically.

### Analog Temperature Monitor (J10-4)

This signal on J10-4, referenced to Signal Ground, provides an analog DC voltage output between 0 V and 10 V that represents the air temperature of 0°C to 100°C inside the power supply. The inlet air temperature is monitored close to the fan.

## Interface Connections (Cont.)

### Gate IN/Gate OUT (J10-13, 25)

The 3 Phase MegaPAC - EL can be paralleled with other 3 Phase MegaPAC - ELs and the 4kW MegaPAC - EL can be paralleled with other 4kW MegaPAC - ELs to increase output power. Paralleling the chassis is similar to paralleling VI-200 (QPAC-L) or Maxi (QPAC-XQ) DC to DC converters. The Gate Out (or PC) pin of the ConverterPAC in slot #10 is available on J10-25, and can be used to provide input to the Gate In (or PC) pin of the ConverterPAC in slot #1 of a different 3 Phase MegaPAC - EL and 4kW MegaPAC - EL. The ConverterPAC in slot #1 of the second chassis must be a booster, and additional boosters can be connected in parallel to it. The ConverterPAC in slot #10 of the first 3 Phase MegaPAC - EL or the 4kW MegaPAC - EL must be either a driver or a booster in a parallel array. ConverterPACs paralleled from chassis to chassis must be of the same type, voltage, and power.

The 3 Phase MegaPAC - EL and 4kW MegaPAC - EL are configured at the factory to allow box-to-box paralleling using the ConverterPACs originally shipped in the chassis. Since the MegaPAC is a field configurable supply, the proper configuration must be verified before paralleling from chassis to chassis. The last two digits of the 4kW MegaPAC - EL part number will identify whether slot #1 and slot #10 were configured for use with VI-200 (QPAC-L) or Maxi (QPAC-XQ) DC to DC converters.

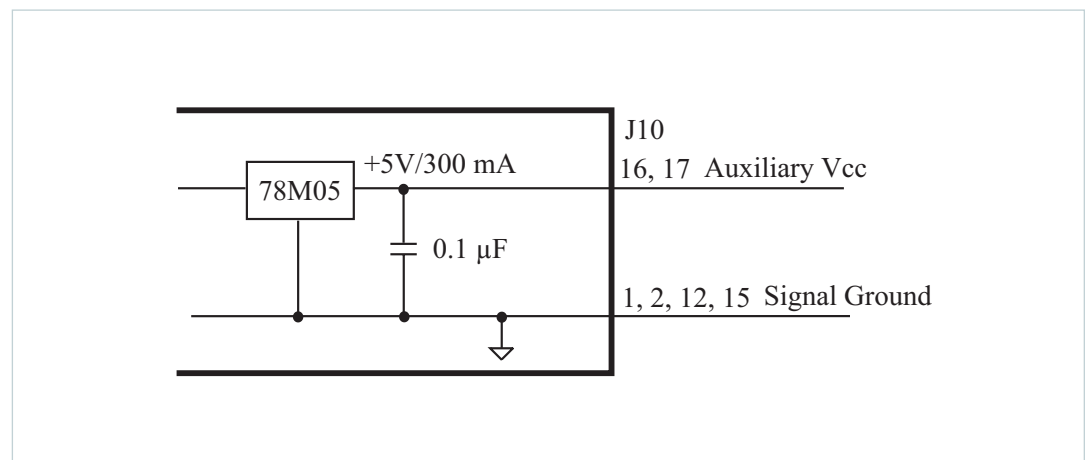
Using the example of MX7-410108-32, the last two digits, "-32," identify the type of module in slot #1 and slot #10, respectively. A "3" indicates the chassis is configured to parallel box-to-box using a Maxi converter. A "2" indicates the chassis is configured to parallel box-to-box using a VI-200 converter. The above example shows the chassis is configured for a Maxi converter in slot #1 and a VI-200 converter in slot #10.

When connecting multiple chassis in parallel, the signal ground on J10 of each chassis should be tied together. Chassis outputs should be tied together near the power supply and then cabled to the load. Using separate cables to provide power to the load will limit the supplies' ability to current share properly.

### Auxiliary Vcc +5V/0.3A (J10-16, 17)

The Vcc on J10-16, 17 is an auxiliary 5 V regulated power source (see Figure 8 and Connector Pin Identification of page 17). It is +5Vdc  $\pm$ 5% with respect to Signal Ground and can supply 300 mA maximum. It is short-circuit-proof, but if shorted all outputs will shut down through the Enable/Disable circuitry. The Auxiliary Vcc typically powers user circuitry or is used with the Power Good circuitry to provide a pull-up reference for the outputs of the DC Power Good circuit on a ConverterPAC. If used for this purpose, a J10 Signal Ground must also be connected to the P2-1 Signal Ground pin of the ConverterPAC.

Figure 8.  
Auxiliary Vcc



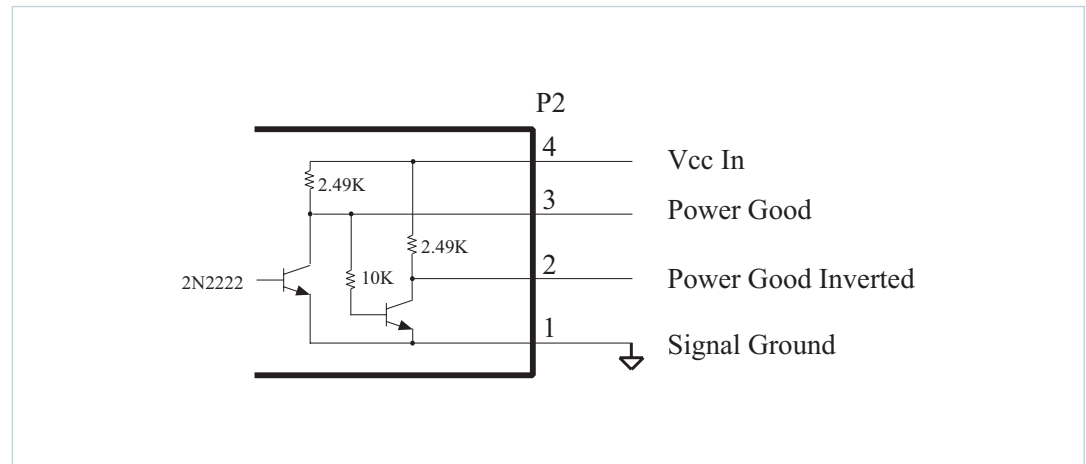
## Interface Connections (Cont.)

### Power Good (P2-3)

The optional Power Good signal on P2-3 is referenced to Signal Ground on P2-1, and indicates the status of the output voltage. This signal is asserted a TTL "1" when the output voltage is above 95% of nominal. It is a TTL "0" when the output voltage is below 85% of nominal. In addition to the electrical Power Good signal, the QPAC (XQ) comes with a DC OK LED as a standard feature.

If the Trim option is also used, the Power Good trip points **DO NOT** track with the trimmed voltage. It is possible to trim the output below the fixed setpoints of the Power Good circuit and cause a negative Power Good signal. Good circuit and cause a negative Power Good signal.

Figure 9.  
Power Good and Vcc



### Power Good Inverted (P2-2)

This is the inverse of the Power Good signal and is referenced to Signal Ground on P2-1.

### Signal Ground (P2-1)

Signal Ground on P2-1 is an isolated secondary ground reference for P2 status signals. It is used to provide a reference point for the Power Good circuitry and is not the same as Earth Ground on input power connector J1.

### Vcc In (P2-4)

The Vcc In on P2-4 is an input that requires +5 V either from the J10 Auxiliary Vcc, or from another source. Input current to this pin is limited by an internal resistor to 3 mA. If the J10 Auxiliary Vcc is connected to Vcc In on P2-4, then at least one J10 Signal Ground must be connected to Signal Ground on P2-1.

### +Sense/–Sense (P2-7 and P2-6)

The +Sense on P2-7 should be connected to the +Power Out, and the –Sense on P2-6 to the –Power Out terminal. **Do not reverse or leave the Sense pins open.** Sense pins can be terminated locally at the output of the power supply, in which case the power supply will provide regulation at the output terminals. The voltage appearing at the load may drop slightly due to voltage drop in the power cables. If it is necessary to compensate for voltage drop along the output power cables, this termination should be made close to the output load. Compensation of up to 0.5 V (0.25 V per lead) can be obtained. Use twisted pair 22-24 AWG wire for this purpose.

## Interface Connections (Cont.)

For DualQPACs, the +Sense pins are available on connectors designated as J1A-3 and J1B-3 for outputs A and B, respectively. -Sense pins are on J1A-6 and J1B-6, respectively.

**Reminder: Only units with Autosense will automatically operate in Local Sense mode if no sense connections are made. It will operate in remote sense mode if remote sense connections are made. Units without Autosense MUST have sense connections (Local or Remote) to their respective output for the unit to operate properly.**

Figure 10.  
Sense Leads



### External Trim (P2-5)

Output voltage can be trimmed using an optional factory-installed Trim potentiometer or with the Trim pin (see Figure 11). The Trim potentiometer is located on the ConverterPAC. If the Trim potentiometer has not been ordered, the Trim pin must be used. When using the Trim pin, the Trim limits are determined by the DC to DC converter used on the ConverterPAC. Maximum Trim ranges are 10% above the nominal converter voltage and 50% below the nominal converter voltage as measured from the output studs or output connector of the power supply.

Note: The combined effects of module trim up, remote sense and dynamic load step may cause the module to trip OVP. Recovering from OVP will require cycling input power to the MegaPAC.

The Trim pin on P2 can be used to control the output voltage. It is referenced to the -Sense pin on P2 and can be controlled by either a resistor network or an external voltage source. To increase an output voltage above its nominal, it is necessary to increase the voltage at the Trim pin above the internal reference voltage ( $V_{ref}$ ). The reverse is true to decrease an output voltage.

Note: Converters are sometimes pretrimmed at the factory if a nonstandard output voltage is requested. Standard voltages include 2 V, 3.3 V, 5 V, 12 V, 15 V, 24 V, 28 V, and 48 V. If using a nonstandard voltage, or if a ConverterPAC is ordered with a Trim option, the resistor calculations will differ from those below.

Please consult the factory for assistance.



## Specifications

<b>Input Characterisitcs</b>	
Input Voltage	208/240 Vac, 3 Phase, 4 Wire; 180-264 Vac, 1 Phase (47-500Hz) 260-352 Vdc
Power Factor (passive)	0.92 (3 Phase operation)
Inrush Current	30 A rms @ 230 Vac
Ride Through Time	>20 ms at nominal line, full load
Power Fail	>3 ms warning
Conducted EMI	EN55022 Class A
Surge Immunity (Common Mode and Normal Mode)	EN 61000-4-5 Level 3 (Temporary loss of output power may occur which is self recoverable)
Dielectric Withstand	Primary to Chassis GND = 2,121 Vdc Primary to Secondary = 4,242 Vdc Secondary to Chassis GND = 750 Vdc
<b>Ouput Characterisitcs</b>	
VE-200/VE-J00 Line/Load Regulation	0.2% max. from 10% to 100% load; 0.5% max. from 0% to 10% load
Maxi Line Regulation*	0.20% max to 0.30% max
Maxi Load Regulation*	0.20% max to 0.70% max
VI-200/VI-J00 Setpoint Accuracy*	1% for standard voltages; 2% for special or adjustable voltages
Maxi Setpoint Accuracy	1% for standard voltages; 2% for special, adjustable voltages and 48 V outputs
Ripple and Noise	QPAC, DualQPAC, JrQPAC: 10 mV p-p max.or 0.15% whichever is greater. QPAC (XQ): 10 mV p-p max.or 0.15% whichever is greater.
Output Trim Range	10% -110% of nominal voltage Maxi modules 50% -110% of nominal voltage VI-200/VI-J00 modules 90% -110% of nominal voltage VI-200/VI-J00 modules 10-15 V
Overcurrent Trip Point	105-125% of full load capability of VI-200/VI-J00 modules 115% typical of full load capability of Maxi modules
Overvoltage Protection	QPACs: 115-135%; N/A to DualQPACs and JuniorQPACs
Efficiency	82% typical
Output Power	
4kW MegaPAC/EL (Low Noise)	4,000 W at 45°C (3 Phase); 1,500 W at 45°C (1 Phase)
3 Phase MegaPAC/EL (Low Noise)	2,000 W at 45°C (3 Phase); 1,200 W at 45°C (1 Phase)



## Specifications (Cont.)

Environmental Characteristics	
Storage Temperature	-40°C to 85°C
Operating Temperature**	-20°C to +45°C full power, -20°C to +65°C half power
Humidity	0 to 95% non-condensing
Altitude	Derate 2.6% total output power for each 1,000 ft to a maximum operating altitude of 15,000 ft. Non-operating storage maximum altitude is 40K.
Safety Approvals	cURus – UL 60950-1, CSA 60950-1 cTUVus – EN 60950-1, UL 60950-1, CSA 60950-1 CE Mark – Low Voltage Directive, 73/23/EEC amended by 93/68/EEC
Product Weights	<b>3 Phase MegaPAC - EL:</b> 21.6 lbs (9.8 kg) fully configured <b>4 kW MegaPAC:</b> 22 lbs. (10 kg) fully configured
Warranty	2 years limited warranty. See <a href="http://vicorpower.com">vicorpower.com</a> for complete warranty statement.

- \* See Vicor module specifications. A preload may be necessary for modules trimmed down below 90% of normal output voltage.
- \*\* Operating temperature is 45°C using any combination of modules and output voltages as long as the front end rating is not exceeded. Normal derating applies to half power if the ambient temperature is 20°C hotter.

## Current Share Boards - Optional Feature

"Current sharing" also known as Load Sharing, is the ability to divide the output current evenly across all active power supplies. This greatly reduces stresses on each power supply and allows them to run cooler, resulting in higher reliability. Standard "current sharing" techniques typically utilize shunt resistors or Hall Effect devices to measure the current from each power supply. Power shunt resistors continually dissipate power and require cooling especially when dealing with high output currents of >100 Amps. Hall Effect devices measure magnetic fields generated by current flowing through a conductor and, although they dissipate no power, they tend to be large and expensive.

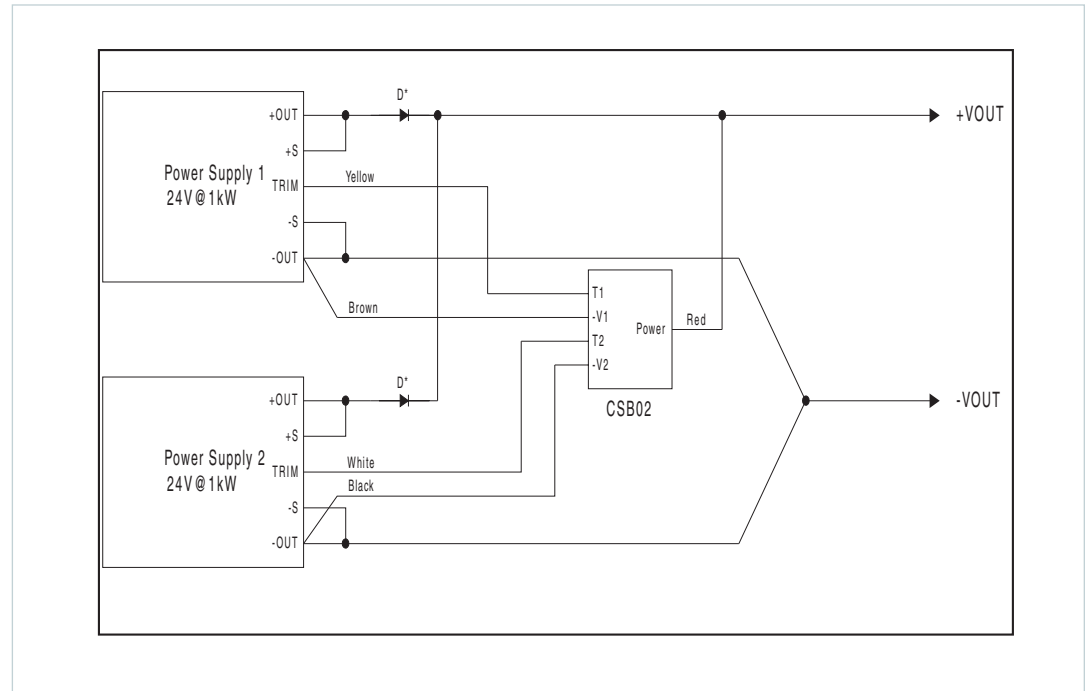
First developed by Vicor Engineering for paralleling MegaPAC supplies, the Box-to-Box Current Share Board or CSB allows two or more Vicor power supplies to current share by utilizing the inherent voltage drop produced in the negative output return cable. This eliminates the need for additional shunt resistors or expensive Hall Effect devices and provides a simple 5 wire connection method to achieve a +/-1mV accuracy between the Negative Output power rails. This accuracy translates to a 1% current sharing if there is a total of 100mV conduction voltage drop in the negative return path.

Constructed as a current source to drive the Trim pin of a Vicor module, the design uses an accurate comparator circuit to monitor the power returns. In addition, the circuit is unidirectional and can only trim an output voltage up. The benefit is that only the supply that is supporting less current is adjusted up. This action balances the currents to the load by matching the output voltages of the supplies. In the case of one supply failing, the circuit will attempt to trim the failed supply only. This will leave the remaining functional supply alone to provide power to the load at its nominal voltage. Thus the circuit also offers simple redundancy. In addition, because CSB functions as a current source, the Trim outputs (T1 and T2) of the CSB can be placed in parallel to create a summing node. This allows current sharing between more than two supplies by paralleling the T2 output of one CSB circuit with the T1 output of the next CSB.

## Current Share Boards - Optional Feature (Cont.)

Please note: The CSB is not intended for use in Hotswap Applications.

Figure 12.  
CSB Interconnect Example



### Requirements:

1. For proper operation, the power supplies being paralleled should be enabled at the same time.
2. -Out conductors must be of equal length and wire gauge. Separate -Out conductors must be used from each supply to the load, or the use of a "Y" connection to a common point must be used as shown in figure 1. Each leg of the "Y" must have a minimum of a few millivolts of drop in order for proper operation. 50 mV to 100 mV of drop will provide from 5% to 1% accuracy.
3. -V1 and -V2 for all Box-to-Box circuits must be connected directly at the negative output power studs or terminals to achieve accurate current sharing.
4. D\* can be added if redundancy is needed. If redundancy is not required, D\* can be replaced with direct wire connections.
5. When using D\*, the Power input should be connected on the cathode side of the paralleling diodes as shown above.
6. Terminate Sense Leads either locally or remotely as shown in figure 1.
7. For paralleling more than 2 supplies consult factory for assistance.

## Current Share Boards - Optional Feature (Cont.)



Figure 13. Mechanical Drawing



Figure 14. Cable Drawing

### Specifications:

1. Power: 2-50 Vdc at 5 mA maximum.
2. Accuracy: +/- 1 mV between -Vout connections.
3. Output current when not trimming up: +/- 1 uA (VI-200/J00), +/-5 uA (Maxi).
4. Use 4 non-plated through holes with standoffs for mounting.
5. CSB01 MUST be used for current sharing VI-200/VI-J00 converters.
6. CSB02 MUST be used for current sharing Maxi converters .

Please note: The CSB is NOT intended for Hotswap Applications

Contact your Regional Applications Engineer at 1-800-927-9474 for additional information.

---

## Low Leakage Version

If Low Leakage is required, the MegaPAC Family of Power Supplies has a model variant (must be requested). This model enables the user to meet various additional specifications. Presently, the PFC MegaPAC, Mini MegaPAC and Autoranging MegaPAC are available in Low Leakage versions. Other models can be made available. The MegaPAC Family of Power Supplies consist of:

- PFC MegaPAC
- PFC MegaPAC-High Power
- PFC MegaPAC-EL (Low Noise)
- Mini MegaPAC
- Autoranging MegaPAC
- 4kW MegaPAC
- 4kW MegaPAC-EL (Low Noise)

The advantage of the Low Leakage MegaPAC power supply is in multiple power supply systems that have one AC input. This option will lower the input leakage current for these products to 500mA or less. An additional external EMI filter may be required.

### How Low Leakage is obtained

Low Leakage for the MegaPAC Family of power supplies is obtained with the removal of the "Y" capacitors from within the EMI filter of the MegaPAC as well as the "Y" capacitors on the input of the ConverterPACs\*. This reduces the leakage current from the AC input to AC ground (chassis) to below 500mA. At the same time, since the "Y" capacitors are a vital component of the EMI filter, without them, the EMI will go up. When this happens, the unit will no longer meet Vicor's published specifications for conducted EMI. In order to reduce the EMI to within an acceptable limit, an additional external EMI filter may be required. All safety agency certifications for the MegaPAC Power Supplies remain intact. Contact Applications Engineering for more information.

**Vicor currently has the following ConverterPACs (See ConverterPAC information sheet and/or Design Guide for more information):**

<b>VI-200/VI-J00</b>	<b>Maxi</b>
ModuPAC (M)	FinPAC (PZ)
JuniorPAC (J)	UniPAC (XU)
DualPAC (D)	QPAC (XQ)
RamPAC (R)	
BatPAC (B)	
QPAC (L)	
DualQPAC (LD)	
Junior QPAC (LJ)	

For RoHS compliant versions a preceeding G is added to the part number.

**Please note:** The MegaPACs (including the Low Leakage versions) are not UL 2601/60601 compliant or EN60601 compliant.

---

**NOTES:**

---

**For Vicor Global Office Locations**, please go to: [www.vicorpower.com/contact-us](http://www.vicorpower.com/contact-us)  
or call 800-735-6200.

**For more information** about this or other Vicor products, or for assistance with component-based power system design, contact the Vicor office nearest you. Vicor's comprehensive line of power solutions includes modular, high-density DC-DC converters and accessory components, configurable power supplies, and custom power systems. Vicor designs and builds configurable power supplies incorporating Vicor's high density DC-DC converters and accessory components.

**This product line includes:**

**LoPAC FAMILY:**

- PFC MicroS
- PFC Micro
- PFC Mini

**MegaPAC FAMILY:**

- PFC MegaPAC
- 4kW MegaPAC
- 4kW MegaPAC-EL (Low Noise)
- PFC MegaPAC (High Power)
- PFC MegaPAC (Low Noise/High Power)
- PFC MegaPAC-EL (Low Noise)
- Mini MegaPAC
- Autoranging MegaPAC
- ConverterPACs

**OTHERS:**

- FlatPAC-EN
- PFC FrontEnd
- MicroPAC
- Conduction Cooled MicroPAC

Rugged COTS versions (MI) are available for the PFC Micro, PFC MicroS, PFC Mini, PFC MegaPAC, Standard MicroPAC and Conduction Cooled MicroPAC.

INFORMATION FURNISHED BY VICOR IS BELIEVED TO BE ACCURATE AND RELIABLE. HOWEVER, NO RESPONSIBILITY IS ASSUMED BY VICOR FOR ITS USE. NO LICENSE IS GRANTED BY IMPLICATION OR OTHERWISE UNDER ANY PATENT OR PATENT RIGHTS OF VICOR. VICOR COMPONENTS ARE NOT DESIGNED TO BE USED IN APPLICATIONS, SUCH AS LIFE SUPPORT SYSTEMS, WHEREIN A FAILURE OR MALFUNCTION COULD RESULT IN INJURY OR DEATH. ALL SALES ARE SUBJECT TO VICOR'S TERMS AND CONDITIONS OF SALE, WHICH ARE AVAILABLE UPON REQUEST.

SPECIFICATIONS ARE SUBJECT TO CHANGE WITHOUT NOTICE. THE LATEST DATA IS AVAILABLE ON THE VICOR WEBSITE AT [VICORPOWER.COM](http://VICORPOWER.COM)

## Данный компонент на территории Российской Федерации

### Вы можете приобрести в компании MosChip.

Для оперативного оформления запроса Вам необходимо перейти по данной ссылке:

<http://moschip.ru/get-element>

Вы можете разместить у нас заказ для любого Вашего проекта, будь то серийное производство или разработка единичного прибора.

В нашем ассортименте представлены ведущие мировые производители активных и пассивных электронных компонентов.

Нашей специализацией является поставка электронной компонентной базы двойного назначения, продукции таких производителей как XILINX, Intel (ex.ALTERA), Vicor, Microchip, Texas Instruments, Analog Devices, Mini-Circuits, Amphenol, Glenair.

Сотрудничество с глобальными дистрибьюторами электронных компонентов, предоставляет возможность заказывать и получать с международных складов практически любой перечень компонентов в оптимальные для Вас сроки.

На всех этапах разработки и производства наши партнеры могут получить квалифицированную поддержку опытных инженеров.

Система менеджмента качества компании отвечает требованиям в соответствии с ГОСТ Р ИСО 9001, ГОСТ РВ 0015-002 и ЭС РД 009

### Офис по работе с юридическими лицами:

105318, г.Москва, ул.Щербаковская д.3, офис 1107, 1118, ДЦ «Щербаковский»

Телефон: +7 495 668-12-70 (многоканальный)

Факс: +7 495 668-12-70 (доб.304)

E-mail: [info@moschip.ru](mailto:info@moschip.ru)

Skype отдела продаж:

moschip.ru

moschip.ru\_4

moschip.ru\_6

moschip.ru\_9