

Current transformer - PACT RCP-4000A-UIRO-PT-D190 - 2906236

Please be informed that the data shown in this PDF Document is generated from our Online Catalog. Please find the complete data in the user's documentation. Our General Terms of Use for Downloads are valid (<http://phoenixcontact.com/download>)



Set consisting of a 4-way signal conditioner with push-in connection technology and a Rogowski coil 600 mm in length/190 mm in diameter for AC current measurement on busbars and power lines. The signal conditioner outputs 8 different standard signals on the output side and has one switching output.



Key Commercial Data

Packing unit	1 pc
Weight per Piece (excluding packing)	460.0 g
Custom tariff number	85437090
Country of origin	Germany

Technical data

Measuring transducer supply

Nominal supply voltage	24 V DC
Nominal supply voltage range	9.6 V DC
Power consumption	≤ 1 W (at I _{OUT} = 20 mA, 9.6 V DC, 600 Ω load)

Measuring coil input data

Frequency measuring range	40 Hz ... 20000 Hz
Position error	< 1 %
	< 1.5 % (the measuring coil is at an angle to the live connector.)
Linearity error	0.1 %

Measuring transducer input data

Measuring ranges (current)	100 A 250 A 400 A 630 A 1000 A 1500 A 2000 A 4000 A
Configurable/programmable	Via DIP switches

Measuring transducer signal input

Input signal (at 50 Hz)	100 mV (1000 A)
Input impedance	> 100 kΩ

Current transformer - PACT RCP-4000A-UIRO-PT-D190 - 2906236

Technical data

Measuring coil signal output

Output signal (at 50 Hz)	100 mV (no load, at 1,000 A)
Output voltage (in no-load operation)	$V_{OUT} = M \cdot di/dt$
Output voltage (sinusoidal, in no-load operation)	100 mV ($V_{OUT} = 2 \cdot \pi \cdot M \cdot f \cdot I$ (M = 0.318 μ H; example: At 50 Hz; I = 1,000 A))

Measuring transducer signal output

Current output signal	0 mA ... 20 mA (via DIP switch)
	4 mA ... 20 mA (via DIP switch)
	0 mA ... 10 mA (via DIP switch)
	2 mA ... 10 mA (via DIP switch)
	0 mA ... 21 mA (Can be set via software)
Voltage output signal	0 V ... 10 V (via DIP switch)
	2 V ... 10 V (via DIP switch)
	0 V ... 5 V (via DIP switch)
	1 V ... 5 V (via DIP switch)
	0 V ... 10.5 V (Can be set via software)
Load/output load current output	$\leq 600 \Omega$ (at 20 mA)

General data, measuring coil

Length of measuring coil	600 mm
Diameter of measuring coil	8.3 mm \pm 0.2 mm
Length of signal cable	3000 mm
Conductor structure signal line	2x 0.22 mm (Signal (tinned))
	1x 0.22 mm (Shielding (tinned))
Coil material	Elastollan
Housing material	PC
Insulation	double insulation
Rated insulation voltage	1000 V AC (rms CAT III)
	600 V AC (rms CAT IV)
Test voltage	10.45 kV (DC / 1 min.)
Basic accuracy	$<\pm 0.21 \%$
UL, USA / Canada	UL 61010 Recognized

General data for measuring transducer

Maximum transmission error	$\leq 0.5 \%$ (From the range end value)
Frequency range	45 Hz ... 65 Hz
Housing material	PBT
Degree of protection	IP20
Test voltage	3 kV (50 Hz, 1 min.)

Current transformer - PACT RCP-4000A-UIRO-PT-D190 - 2906236

Technical data

General data for measuring transducer

UL, USA / Canada	UL 508 Listed
------------------	---------------

General data

Standards/regulations	IEC 61010-1
	IEC 61010-2-032
Pollution degree	2
Overvoltage category	II
Typical measuring error	< 1 %

Connection data

Connection name	Measuring transducer side
Conductor cross section flexible min.	0.2 mm ²
Conductor cross section flexible max.	2.5 mm ²
Conductor cross section solid min.	0.2 mm ²
Conductor cross section solid max.	2.5 mm ²
Conductor cross section AWG min.	26
Conductor cross section AWG max.	12
Screw thread	M3
Connection method	Push-in connection
Stripping length	10 mm

Dimensions

Width	6.20 mm
Height	110.50 mm
Depth	120.50 mm

Ambient conditions

Ambient temperature (operation)	-30 °C ... 80 °C (Measuring coil)
	-40 °C ... 70 °C (Measuring transducer)
Ambient temperature (storage/transport)	-40 °C ... 80 °C (Measuring coil)
	-40 °C ... 85 °C (Measuring transducer)
Maximum altitude	> 4000 m
Measuring coil degree of protection	IP67 (not assessed by UL)

Classifications

eCl@ss

eCl@ss 5.1	27200303
eCl@ss 6.0	27200303

Current transformer - PACT RCP-4000A-UIRO-PT-D190 - 2906236

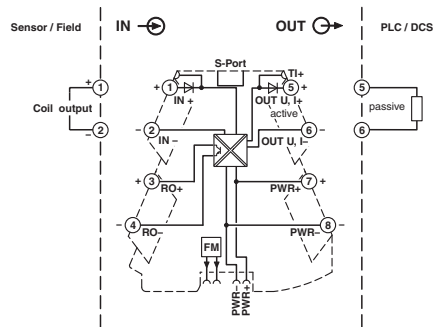
Classifications

ETIM

ETIM 4.0	EC002475
ETIM 5.0	EC002475

Drawings

Block diagram



Данный компонент на территории Российской Федерации

Вы можете приобрести в компании MosChip.

Для оперативного оформления запроса Вам необходимо перейти по данной ссылке:

<http://moschip.ru/get-element>

Вы можете разместить у нас заказ для любого Вашего проекта, будь то серийное производство или разработка единичного прибора.

В нашем ассортименте представлены ведущие мировые производители активных и пассивных электронных компонентов.

Нашей специализацией является поставка электронной компонентной базы двойного назначения, продукции таких производителей как XILINX, Intel (ex.ALTERA), Vicor, Microchip, Texas Instruments, Analog Devices, Mini-Circuits, Amphenol, Glenair.

Сотрудничество с глобальными дистрибьюторами электронных компонентов, предоставляет возможность заказывать и получать с международных складов практически любой перечень компонентов в оптимальные для Вас сроки.

На всех этапах разработки и производства наши партнеры могут получить квалифицированную поддержку опытных инженеров.

Система менеджмента качества компании отвечает требованиям в соответствии с ГОСТ Р ИСО 9001, ГОСТ РВ 0015-002 и ЭС РД 009

Офис по работе с юридическими лицами:

105318, г.Москва, ул.Щербаковская д.3, офис 1107, 1118, ДЦ «Щербаковский»

Телефон: +7 495 668-12-70 (многоканальный)

Факс: +7 495 668-12-70 (доб.304)

E-mail: info@moschip.ru

Skype отдела продаж:

moschip.ru

moschip.ru_4

moschip.ru_6

moschip.ru_9