

## Features

### Inputs/Outputs

- Accepts differential or single-ended input
  - LVPECL, LVDS, CML, HCSL LVCMOS
- On-chip input termination resistors and biasing for AC coupled inputs
- Four precision LVDS outputs
- Operating frequency up to 750 MHz

### Power

- Options for 2.5 V or 3.3 V power supply
- Current consumption of 62 mA
- On-chip Low Drop Out (LDO) Regulator for superior power supply rejection

### Performance

- Ultra low additive jitter of 78 fs RMS

### Ordering Information

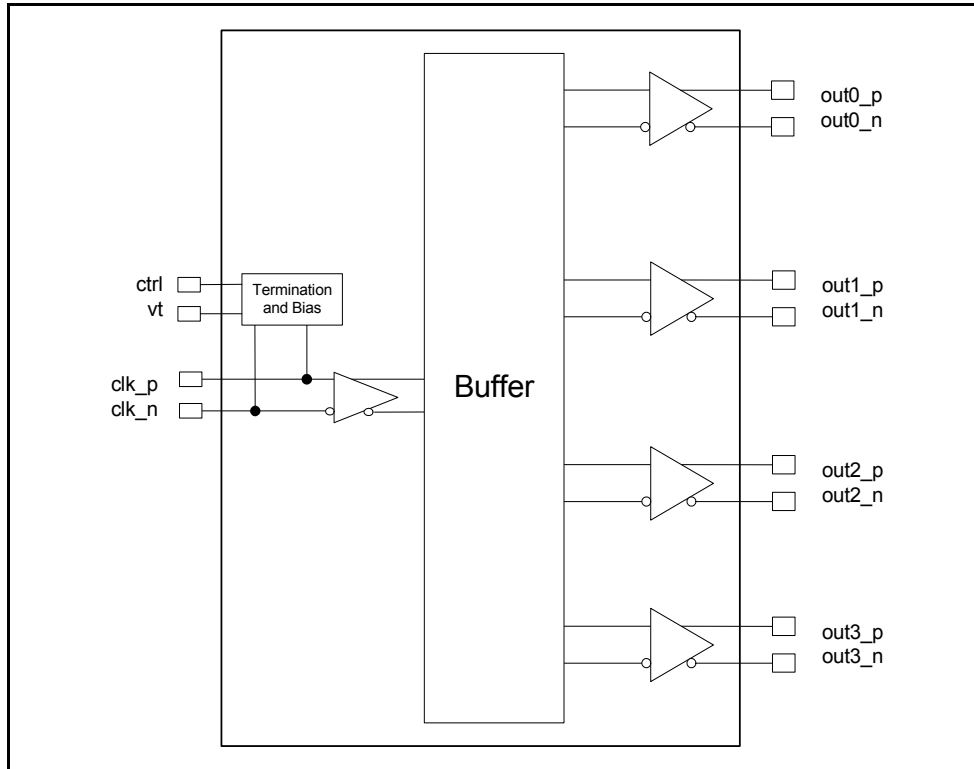
|             |                         |               |
|-------------|-------------------------|---------------|
| ZL40215LDG1 | 16 Pin QFN              | Trays         |
| ZL40215LDF1 | 16 Pin QFN<br>Matte Tin | Tape and Reel |

Package size: 3 x 3 mm

**-40°C to +85°C**

## Applications

- General purpose clock distribution
- Low jitter clock trees
- Logic translation
- Clock and data signal restoration
- Wired communications: OTN, SONET/SDH, GE, 10 GE, FC and 10G FC
- Wireless communications
- High performance micro-processor clock distribution



**Figure 1 - Functional Block Diagram**

---

## Table of Contents

|   |           |
|---|-----------|
| <b>Features</b> .....                                 | <b>1</b>  |
| Inputs/Outputs .....                                  | 1         |
| Power .....   | 1         |
| Performance .....                                     | 1         |
| <b>Applications</b> .....                             | <b>1</b>  |
| <b>1.0 Package Description</b> .....                  | <b>4</b>  |
| <b>2.0 Pin Description</b> .....                      | <b>4</b>  |
| <b>3.0 Functional Description</b> .....               | <b>5</b>  |
| 3.1 Clock Inputs .....                                | 5         |
| 3.2 Clock Outputs .....                               | 10        |
| 3.3 Device Additive Jitter .....                      | 13        |
| 3.4 Power Supply .....                                | 14        |
| 3.4.1 Sensitivity to power supply noise .....         | 14        |
| 3.4.2 Power supply filtering .....                    | 14        |
| 3.4.3 PCB layout considerations .....                 | 14        |
| <b>4.0 AC and DC Electrical Characteristics</b> ..... | <b>15</b> |
| <b>5.0 Performance Characterization</b> .....         | <b>17</b> |
| <b>6.0 Typical Behavior</b> .....                     | <b>18</b> |
| <b>7.0 Package Thermal Characteristics</b> .....      | <b>19</b> |
| <b>8.0 Mechanical Drawing</b> .....                   | <b>20</b> |

---

## List of Figures

|   |    |
|---|----|
| Figure 1 - Functional Block Diagram . . . . .                                     | 1  |
| Figure 2 - Pin Connections . . . . .  | 4  |
| Figure 3 - Simplified Diagram of input stage . . . . .                            | 5  |
| Figure 4 - Clock Input - LVPECL - DC Coupled . . . . .                            | 6  |
| Figure 5 - Clock Input - LVPECL - AC Coupled . . . . .                            | 6  |
| Figure 6 - Clock Input - LVDS - DC Coupled . . . . .                              | 7  |
| Figure 7 - Clock Input - LVDS - AC Coupled . . . . .                              | 7  |
| Figure 8 - Clock Input - CML- AC Coupled . . . . .                                | 8  |
| Figure 9 - Clock Input - HCSL- AC Coupled . . . . .                               | 8  |
| Figure 10 - Clock Input - AC-coupled Single-Ended . . . . .                       | 9  |
| Figure 11 - Clock Input - DC-coupled 3.3V CMOS. . . . .                           | 9  |
| Figure 12 - Simplified LVDS Output Driver. . . . .                                | 10 |
| Figure 13 - LVDS DC Coupled Termination (Internal Receiver Termination) . . . . . | 10 |
| Figure 14 - LVDS DC Coupled Termination (External Receiver Termination) . . . . . | 11 |
| Figure 15 - LVDS AC Coupled Termination . . . . .                                 | 11 |
| Figure 16 - LVDS AC Output Termination for CML Inputs . . . . .                   | 12 |
| Figure 17 - Additive Jitter . . . . .   | 13 |
| Figure 18 - Decoupling Connections for Power Pins . . . . .                       | 14 |
| Figure 19 - Differential Voltage Parameter. . . . .                               | 16 |
| Figure 20 - Input To Output Timing . . . . .                                      | 16 |

## 1.0 Package Description

The device is packaged in a 16 pin QFN

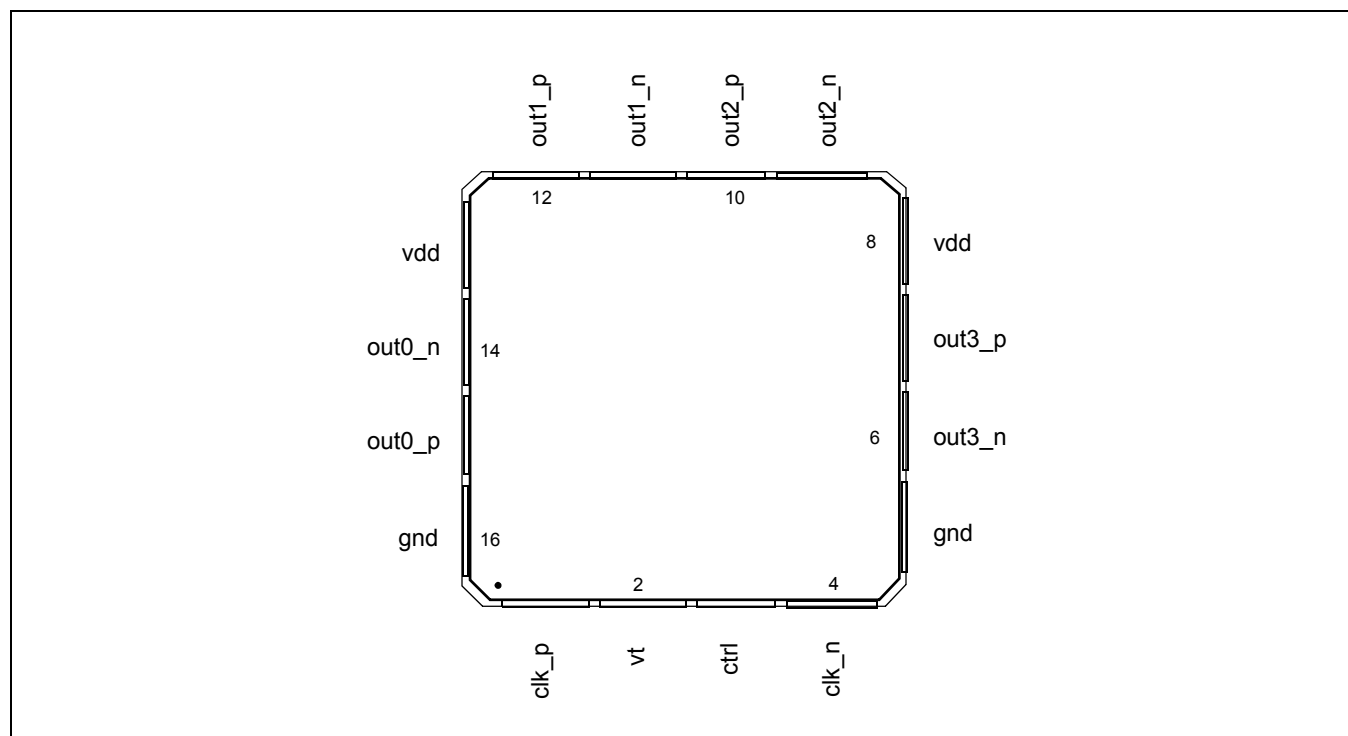


Figure 2 - Pin Connections

## 2.0 Pin Description

| Pin #                               | Name   | Description  |
|-------------------------------------|--|--|
| 1, 4                                | clk_p, clk_n,  | <b>Differential Input (Analog Input).</b> Differential (or singled ended) input signals. For all input signal configuration see "Clock Inputs" on page 6   |
| 15,14,<br>12, 11,<br>10, 9,<br>7, 6 | out0_p, out0_n<br>out1_p, out1_n<br>out2_p, out2_n<br>out3_p, out3_n | <b>Differential Output (Analog Output).</b> Differential outputs.  |
| 8, 13                               | vdd  | <b>Positive Supply Voltage.</b> 2.5 V <sub>DC</sub> or 3.3 V <sub>DC</sub> nominal.  |
| 5, 16                               | gnd  | <b>Ground.</b> 0 V.  |
| 2                                   | vt   | <b>On-Chip Input Termination Node (Analog).</b> Center tap between internal 50 Ohm termination resistors.<br>See "Clock Inputs" on page 6 for more information.  |
| 3                                   | ctrl   | <b>Digital Control for On-Chip Input Termination (Input).</b> Selects differential input mode;<br>0: DC coupled modes<br>1: AC coupled differential modes<br>These pins are internally pulled down to GND.<br>See "Clock Inputs" on page 6 for more information. |

### 3.0 Functional Description

The ZL40215 is an LVDS clock fanout buffer with four identical output clock drivers capable of operating at frequencies up to 750MHz.

The ZL40215 provides an internal input termination network for DC and AC coupled inputs; optional input biasing for AC coupled inputs is also provided. The ZL40215 can accept DC or AC coupled LVPECL and LVDS input signals, AC coupled CML or HCSL input signals, and single ended signals. A pin compatible device with external termination is also available.

The ZL40215 is designed to fan out low-jitter reference clocks for wired or optical communications applications while adding minimal jitter to the clock signal. An internal linear power supply regulator and bulk capacitors minimize additive jitter due to power supply noise. The device operates from 2.5V $\pm$ 5% or 3.3V $\pm$ 5% supply. Its operation is guaranteed over the industrial temperature range -40°C to +85°C.

The device block diagram is shown in Figure 1; its operation is described in the following sections.

#### 3.1 Clock Inputs

The device has a differential input equipped with two on-chip 50 Ohm termination resistors arranged in series with a center tap. The input can accept many differential and single-ended signals with AC or DC coupling as appropriate. A control pin is available to enable internal biasing for AC coupled inputs. A block diagram of the input stage is in Figure 3.

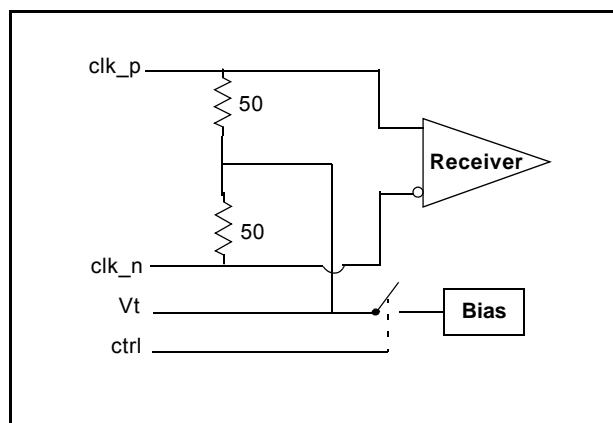
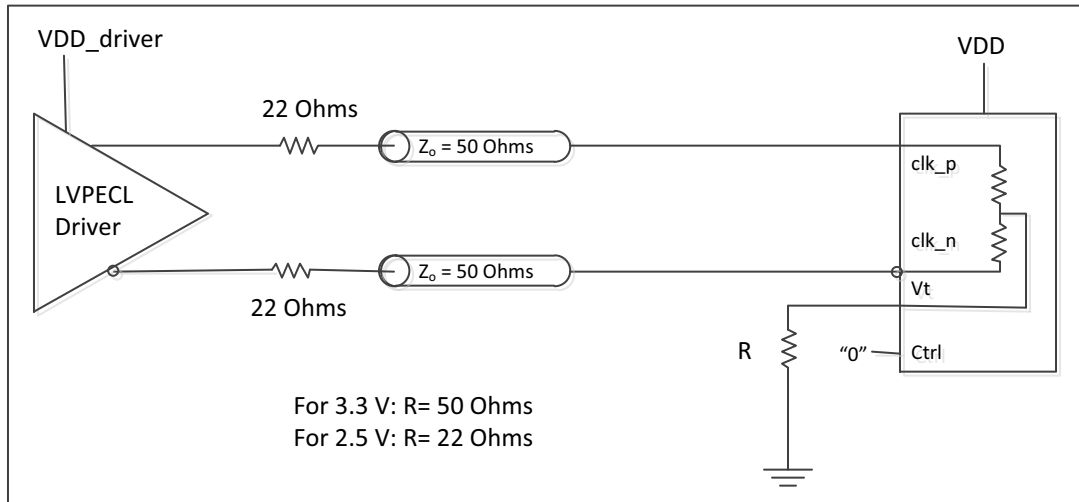


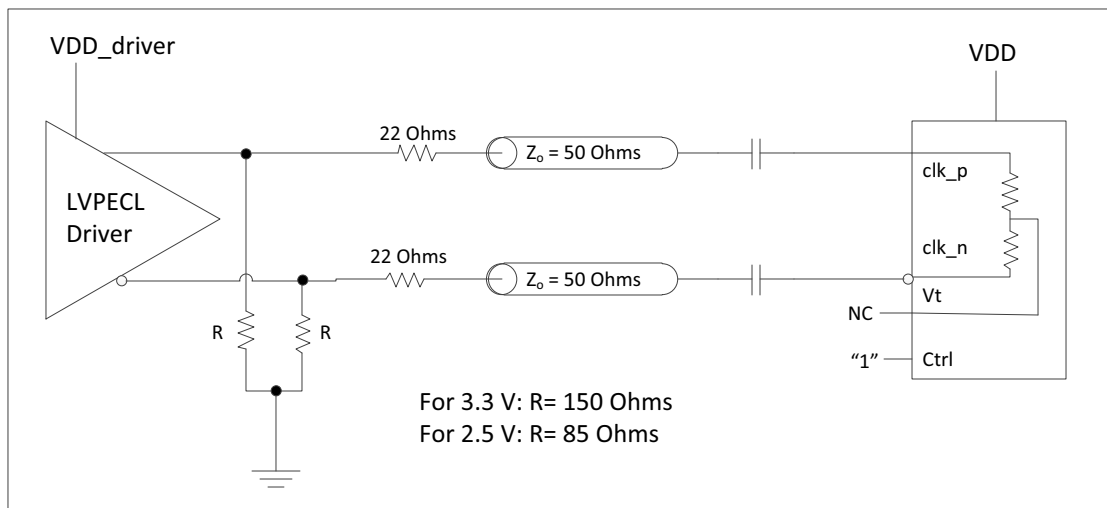
Figure 3 - Simplified Diagram of input stage

The following figures give the components values and configuration for the various circuits compatible with the input stage and the use of the *Vt* and *ctrl* pins in each case.

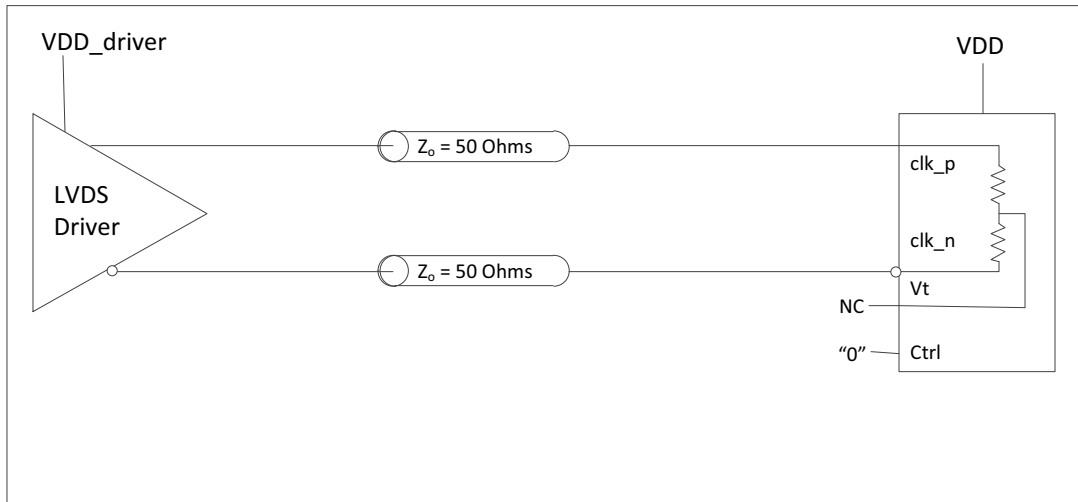
In the following diagrams where the *ctrl* pin is "1" and the *Vt* pin is not connected, the *Vt* pin can be instead connected to  $V_{DD}$  with a capacitor. The same capacitor can also help in Figure 4 between *Vt* and  $V_{DD}$ . This capacitor will minimize the noise at the point between the two internal termination resistors and improve the overall performance of the device.



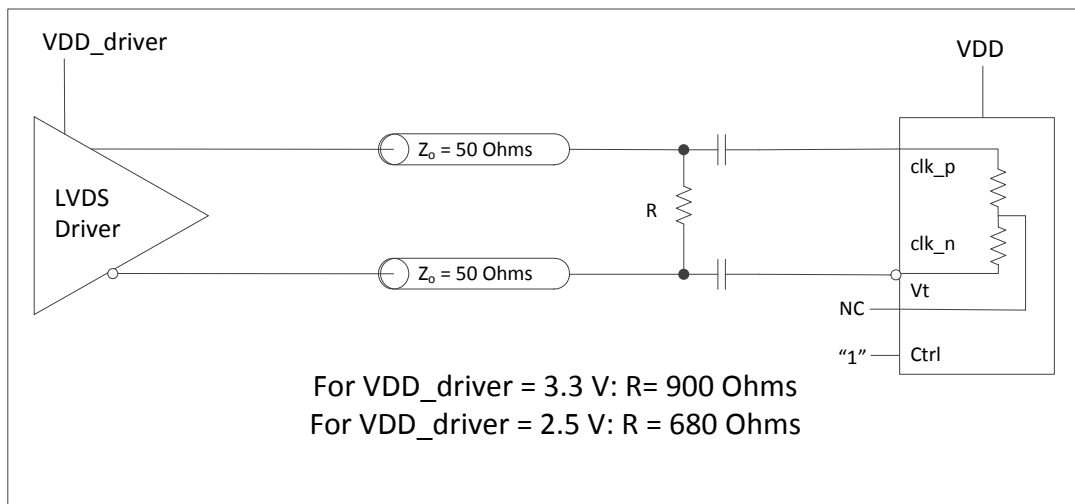
**Figure 4 - Clock Input - LVPECL - DC Coupled**



**Figure 5 - Clock Input - LVPECL - AC Coupled**



**Figure 6 - Clock Input - LVDS - DC Coupled**



**Figure 7 - Clock Input - LVDS - AC Coupled**

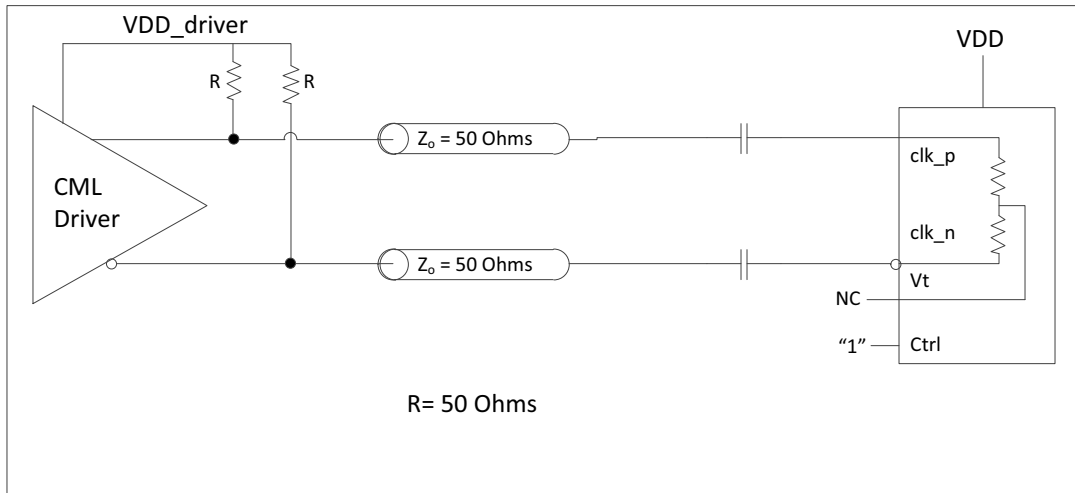


Figure 8 - Clock Input - CML- AC Coupled

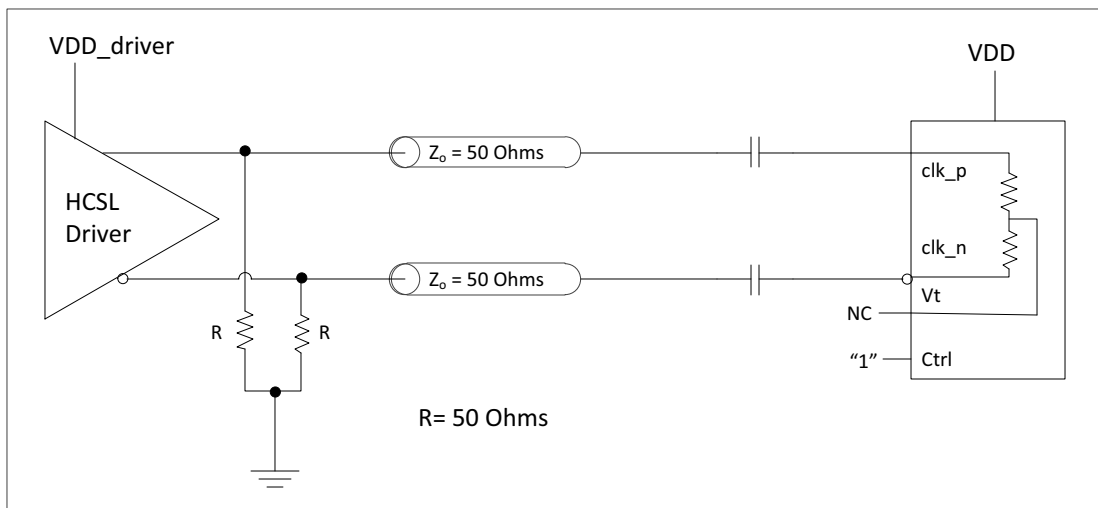
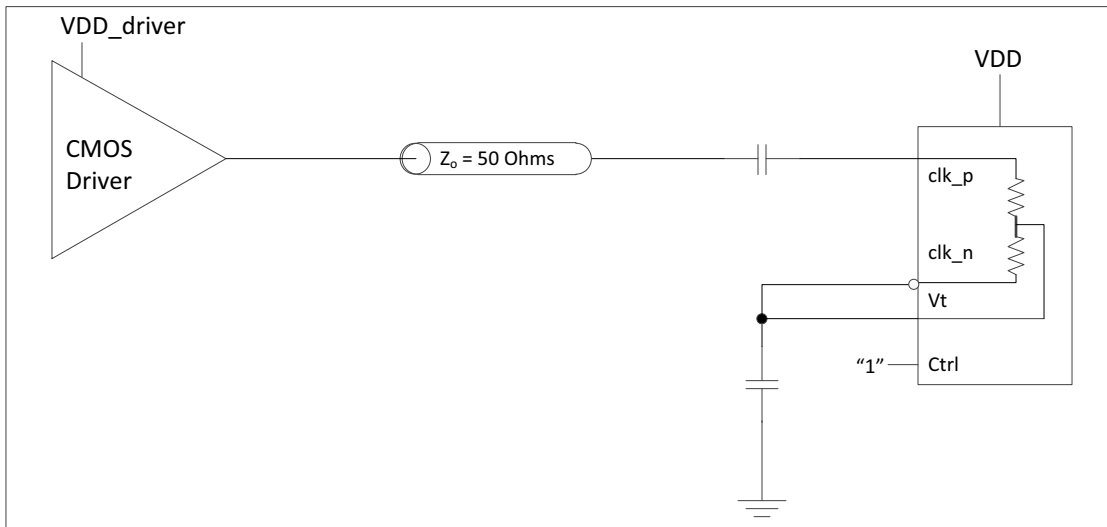
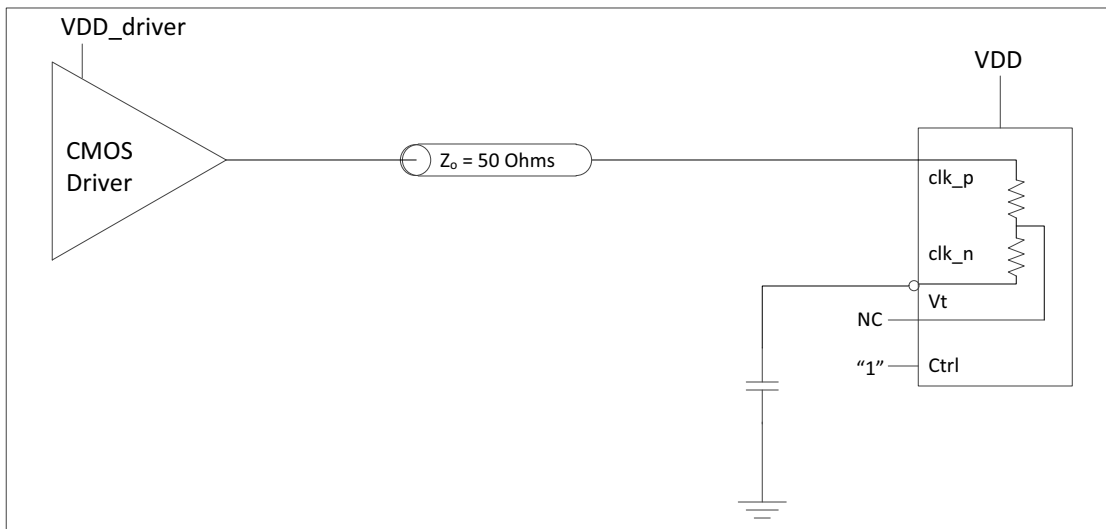


Figure 9 - Clock Input - HCSL- AC Coupled





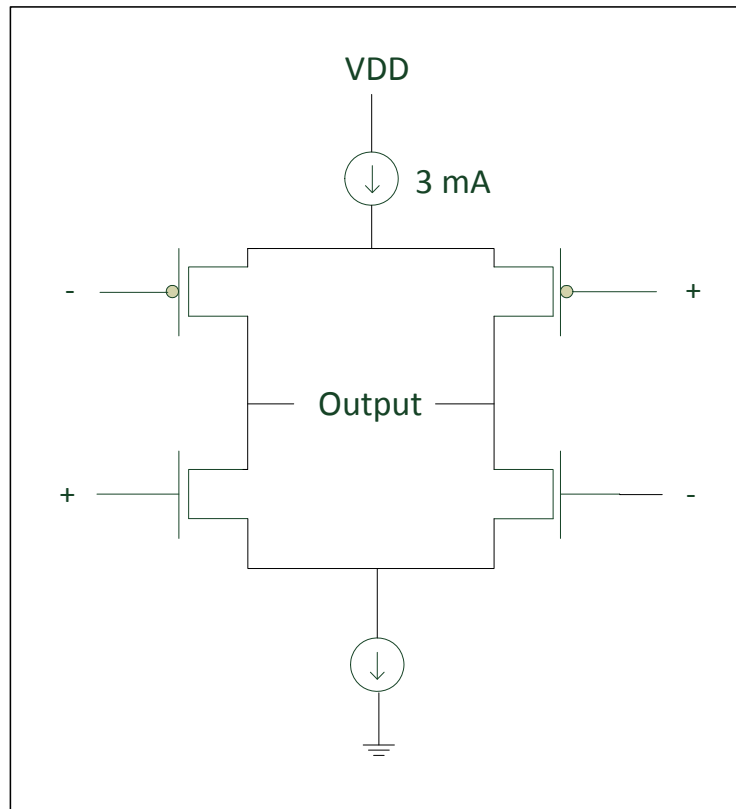
**Figure 10 - Clock Input - AC-coupled Single-Ended**



**Figure 11 - Clock Input - DC-coupled 3.3V CMOS**

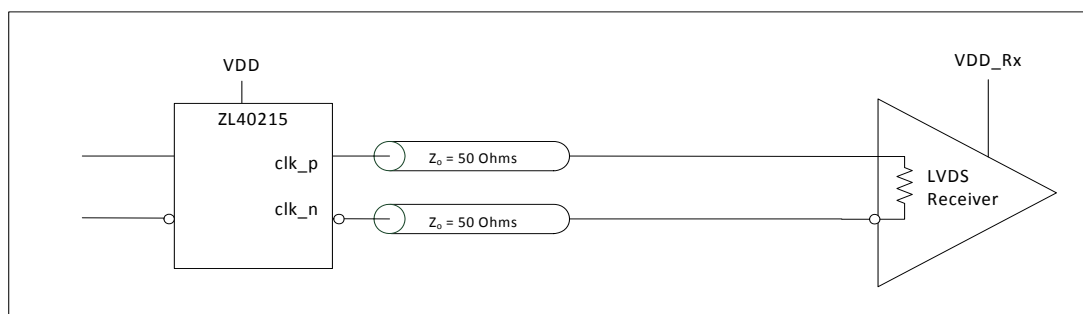
### 3.2 Clock Outputs

LVDS has lower signal swing than LVPECL which results in a low power consumption. A simplified diagram for the LVDS output stage is shown in Figure 12.

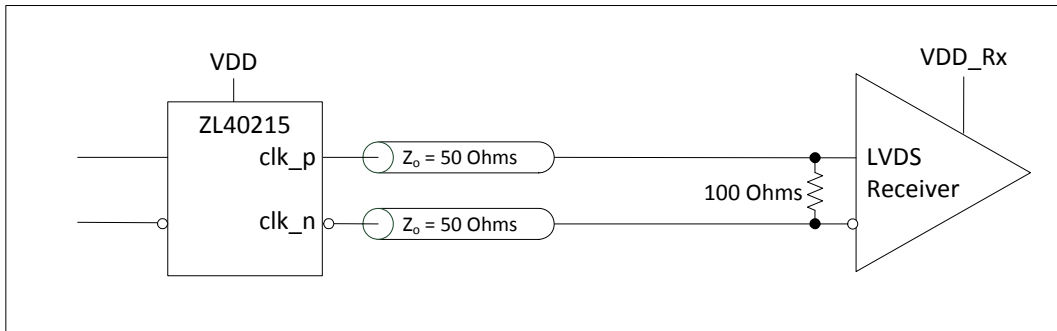


**Figure 12 - Simplified LVDS Output Driver**

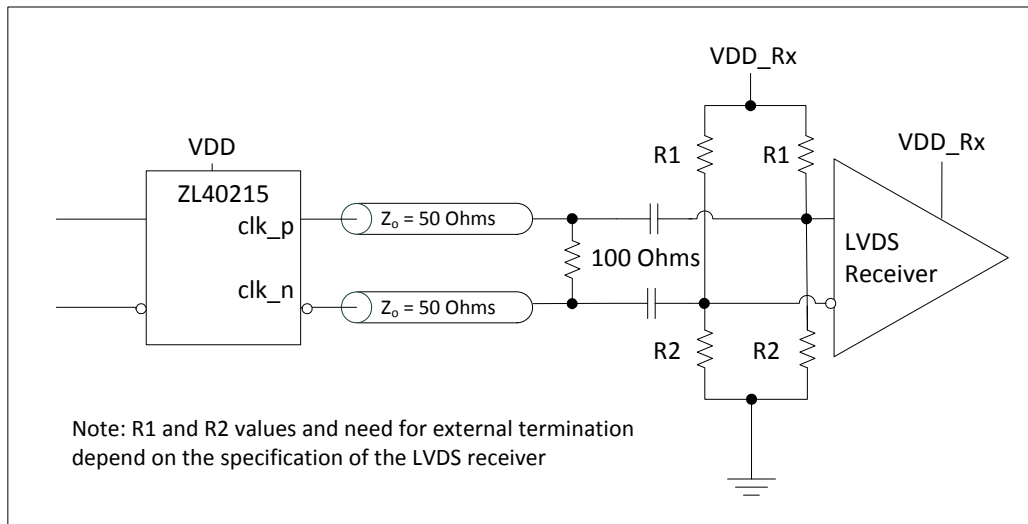
The methods to terminate the ZL40215 drivers are shown in the following figures.



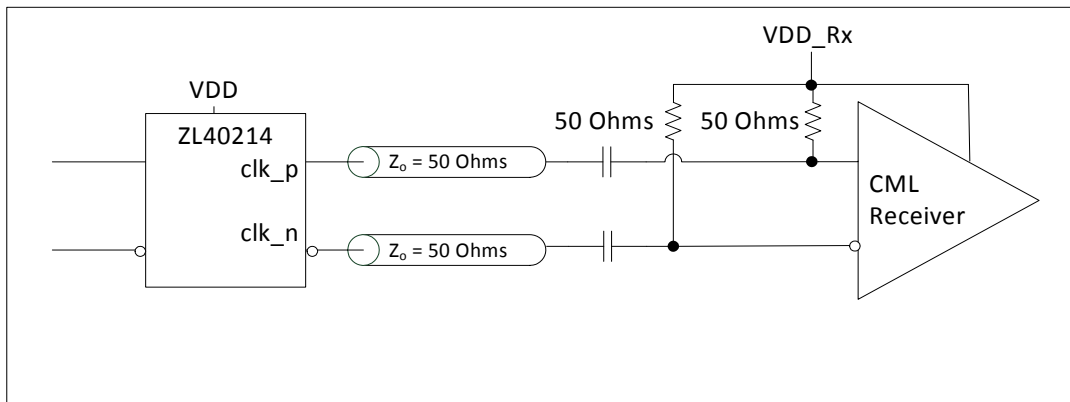
**Figure 13 - LVDS DC Coupled Termination (Internal Receiver Termination)**



**Figure 14 - LVDS DC Coupled Termination (External Receiver Termination)**



**Figure 15 - LVDS AC Coupled Termination**

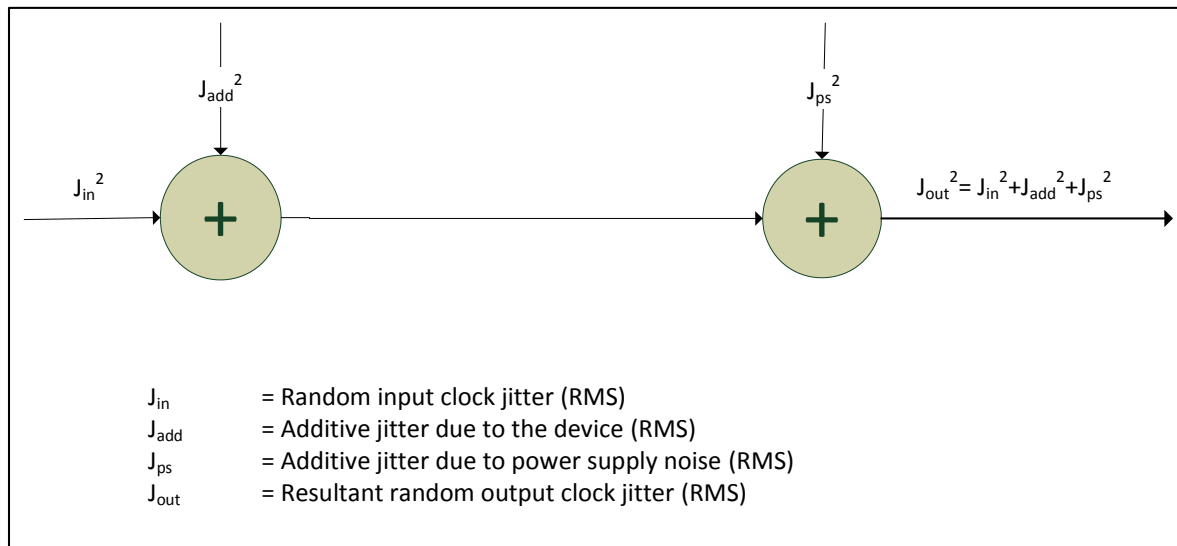


**Figure 16 - LVDS AC Output Termination for CML Inputs**

### 3.3 Device Additive Jitter

The ZL40215 clock fanout buffer is not intended to filter clock jitter. The jitter performance of this type of device is characterized by its additive jitter. Additive jitter is the jitter the device would add to a hypothetical jitter-free clock as it passes through the device. The additive jitter of the ZL40215 is random and as such it is not correlated to the jitter of the input clock signal.

The square of the resultant random RMS jitter at the output of the ZL40215 is equal to the sum of the squares of the various random RMS jitter sources including: input clock jitter; additive jitter of the buffer; and additive jitter due to power supply noise. There may be additional deterministic jitter sources, but they are not shown in Figure 17.



**Figure 17 - Additive Jitter**

### 3.4 Power Supply

This device operates with either a 2.5V supply or 3.3V supply.

#### 3.4.1 Sensitivity to power supply noise

Power supply noise from sources such as switching power supplies and high-power digital components such as FPGAs can induce additive jitter on clock buffer outputs. The ZL40215 is equipped with an low drop out (LDO) power regulator and on-chip bulk capacitors to minimize additive jitter due to power supply noise. The LDO regulator on the ZL40215 allows this device to have superior performance even in the presence of external noise sources. The on-chip measures in combination with the simple recommended power supply filtering and PCB layout minimize the additive jitter from power supply noise.

The performance of these clock buffers in the presence of power supply noise is detailed in ZLAN-403, "Power Supply Rejection in Clock Buffers" which is available from Applications Engineering.

#### 3.4.2 Power supply filtering

For optimal jitter performance, the device should be isolated from the power planes connected to its power supply pins as shown in Figure 18.

- 10  $\mu\text{F}$  capacitors should be size 0603 or size 0805 X5R or X7R ceramic, 6.3 V minimum rating
- 0.1  $\mu\text{F}$  capacitors should be size 0402 X5R ceramic, 6.3 V minimum rating
- Capacitors should be placed next to the connected device power pins
- a 0.3 ohm resistor is recommended for the filter shown in Figure 18

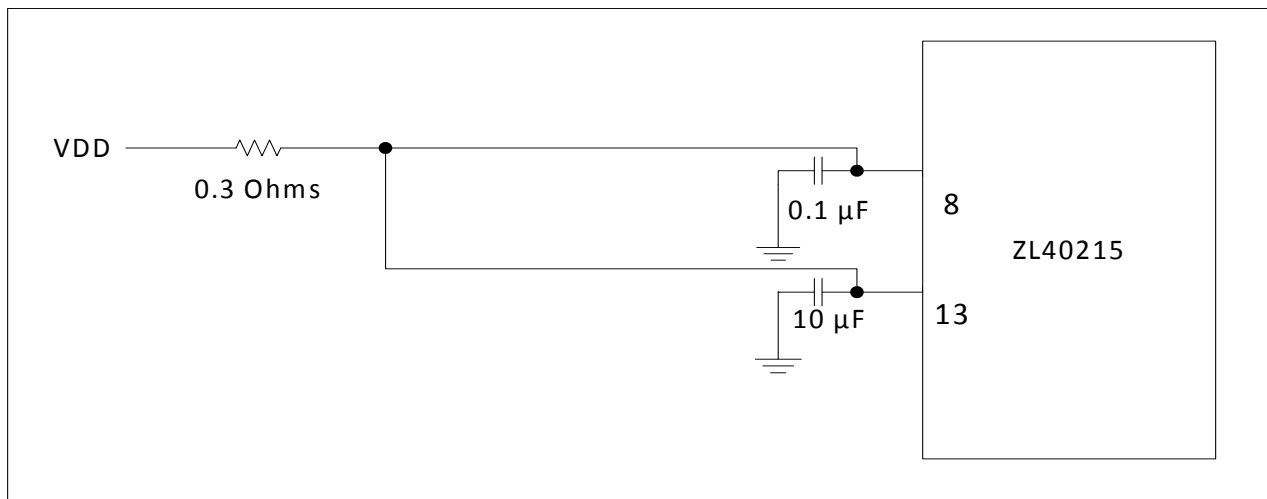


Figure 18 - Decoupling Connections for Power Pins

#### 3.4.3 PCB layout considerations

The power nets in Figure 18 can be implemented either as a plane island or routed power topology without changing the overall jitter performance of the device.

## 4.0 AC and DC Electrical Characteristics

### Absolute Maximum Ratings\*

|   | Parameter                  | Sym.        | Min. | Max.     | Units |
|---|----------------------------|-------------|------|----------|-------|
| 1 | Supply voltage             | $V_{DD\_R}$ | -0.5 | 4.6      | V     |
| 2 | Voltage on any digital pin | $V_{PIN}$   | -0.5 | $V_{DD}$ | V     |
| 3 | Soldering temperature      | T           |      | 260      | °C    |
| 4 | Storage temperature        | $T_{ST}$    | -55  | 125      | °C    |
| 5 | Junction temperature       | $T_j$       |      | 125      | °C    |
| 6 | Voltage on input pin       | $V_{input}$ |      | $V_{DD}$ | V     |
| 7 | Input capacitance each pin | $C_p$       |      | 500      | fF    |

\* Exceeding these values may cause permanent damage. Functional operation under these conditions is not implied.

\* Voltages are with respect to ground (GND) unless otherwise stated

### Recommended Operating Conditions\*

|   | Characteristics           | Sym.       | Min.  | Typ. | Max.  | Units |
|---|---------------------------|------------|-------|------|-------|-------|
| 1 | Supply voltage 2.5 V mode | $V_{DD25}$ | 2.375 | 2.5  | 2.625 | V     |
| 2 | Supply voltage 3.3 V mode | $V_{DD33}$ | 3.135 | 3.3  | 3.465 | V     |
| 3 | Operating temperature     | $T_A$      | -40   | 25   | 85    | °C    |

\* Voltages are with respect to ground (GND) unless otherwise stated

### DC Electrical Characteristics - Current Consumption

|   | Characteristics   | Sym.           | Min. | Typ. | Max. | Units | Notes |
|---|---|----------------|------|------|------|-------|-------|
| 1 | Supply current LVDS drivers - loaded (all outputs are active) | $I_{dd\_load}$ |      | 62   |      | mA    |       |

### DC Electrical Characteristics - Inputs and outputs - for 2.5/3.3 V supply

|   | Characteristics                                 | Sym.      | Min.               | Typ. | Max.               | Units | Notes                 |
|---|---|-----------|--------------------|------|--------------------|-------|-----------------------|
| 1 | CMOS control logic high-level input voltage     | $V_{CIH}$ | $0.7 \cdot V_{DD}$ |      |                    | V     |                       |
| 2 | CMOS control logic low-level input voltage      | $V_{CIL}$ |                    |      | $0.3 \cdot V_{DD}$ | V     |                       |
| 3 | CMOS control logic Input leakage current        | $I_{IL}$  |                    | 1    |                    | μA    | $V_I = V_{DD}$ or 0 V |
| 4 | Differential input common mode - supply voltage | $V_{ICM}$ | 1.1                |      | 1.6                | V     | For $V_{DD} = 2.5V$   |
| 5 | Differential input common mode - supply voltage | $V_{ICM}$ | 1.1                |      | 2.0                | V     | For $V_{DD} = 3.3 V$  |
| 6 | Differential input voltage difference           | $V_{ID}$  | 0.25               |      | 1                  | V     |                       |

**DC Electrical Characteristics - Inputs and outputs - for 2.5/3.3 V supply**

|   | Characteristics                   | Sym.     | Min. | Typ. | Max.  | Units | Notes |
|---|-----------------------------------|----------|------|------|-------|-------|-------|
| 7 | Differential input resistance     | $V_{IR}$ | 80   | 100  | 120   | ohm   |       |
| 8 | LVDS output differential voltage* | $V_{OD}$ | 0.25 | 0.30 | 0.40  | V     |       |
| 9 | LVDS output common mode voltage   | $V_{CM}$ | 1.1  | 1.25 | 1.375 | V     |       |

\* The VOD parameter was measured from 125 MHz to 750 MHz.



Figure 19 - Differential Voltage Parameter

**AC Electrical Characteristics\* - Inputs and Outputs (see Figure 20) - for 2.5/3.3 V supply.**

|   | Characteristics                         | Sym.               | Min. | Typ. | Max. | Units | Notes |
|---|---|--------------------|------|------|------|-------|-------|
| 1 | Maximum Operating Frequency             | $1/t_p$            |      |      | 750  | MHz   |       |
| 2 | input to output clock propagation delay | $t_{pd}$           | 0    | 1    | 2    | ns    |       |
| 3 | output to output skew                   | $t_{out2out}$      |      | 50   | 100  | ps    |       |
| 4 | part to part output skew                | $t_{part2part}$    |      | 80   | 300  | ps    |       |
| 5 | Output clock Duty Cycle degradation     | $t_{PWH}/ t_{PWL}$ | -5   | 0    | 5    | %     |       |
| 6 | LVDS Output slew rate                   | $r_{sl}$           | 0.55 |      |      | V/ns  |       |

\* Supply voltage and operating temperature are as per Recommended Operating Conditions

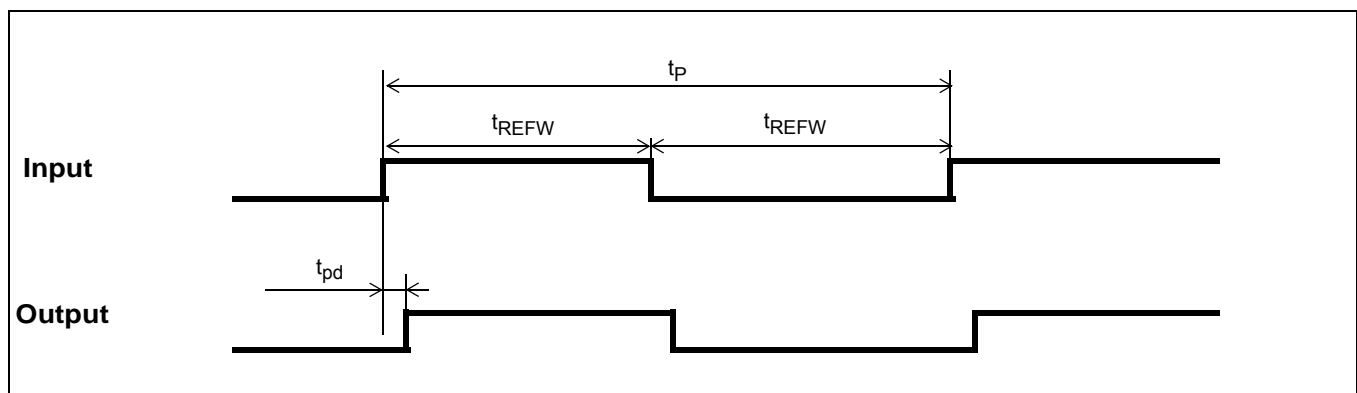


Figure 20 - Input To Output Timing



## 5.0 Performance Characterization

### Additive Jitter at 2.5 V\*

|   | Output Frequency (MHz) | Jitter Measurement Filter | Typical (fs) | Notes |
|---|------------------------|---------------------------|--------------|-------|
| 1 | 125                    | 12 kHz - 20 MHz           | 120          |       |
| 2 | 212.5                  | 12 kHz - 20 MHz           | 102          |       |
| 3 | 311.04                 | 12 kHz - 20 MHz           | 88           |       |
| 4 | 425                    | 12 kHz - 20 MHz           | 91           |       |
| 5 | 500                    | 12 kHz - 20 MHz           | 77           |       |
| 6 | 622.08                 | 12 kHz - 20 MHz           | 78           |       |
| 7 | 750                    | 12 kHz - 20 MHz           | 78           |       |

\* For an input slew rate of approximately 0.8 V/ns.

### Additive Jitter at 3.3 V\*

|   | Output Frequency (MHz) | Jitter Measurement Filter | Typical (fs) | Notes |
|---|------------------------|---------------------------|--------------|-------|
| 1 | 125                    | 12 kHz - 20 MHz           | 123          |       |
| 2 | 212.5                  | 12 kHz - 20 MHz           | 104          |       |
| 3 | 311.04                 | 12 kHz - 20 MHz           | 92           |       |
| 4 | 425                    | 12 kHz - 20 MHz           | 94           |       |
| 5 | 500                    | 12 kHz - 20 MHz           | 78           |       |
| 6 | 622.08                 | 12 kHz - 20 MHz           | 79           |       |
| 7 | 750                    | 12 kHz - 20 MHz           | 80           |       |

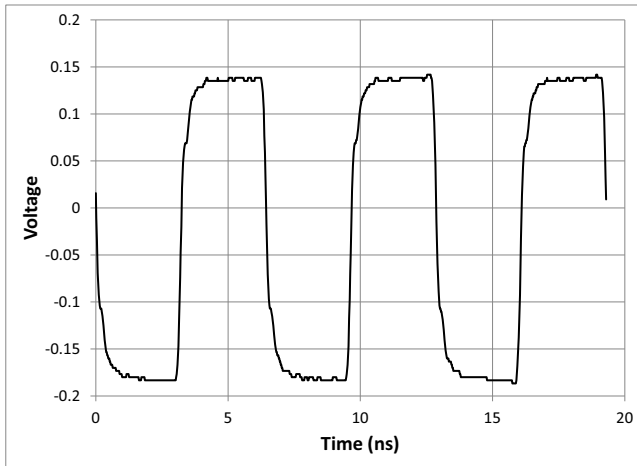
\* For an input slew rate of approximately 0.8 V/ns.

### Additive jitter in the presence of power supply noise\*

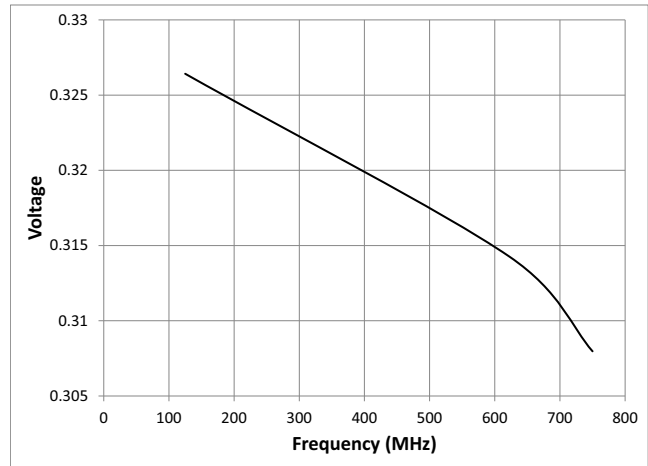
| Carrier frequency | Parameter        | Typical | Units  | Notes |
|-------------------|------------------|---------|--------|-------|
| 125               | 25 mV at 100 kHz | 38      | fs RMS |       |
| 750               | 25 mV at 100 kHz | 50      | fs RMS |       |

\* The values in this table are the additive periodic jitter caused by an interfering tone typically caused by a switching power supply. For this test, measurements were taken over the full temperature and voltage range for  $V_{DD} = 3.3$  V. The magnitude of the interfering tone is measured at the DUT.

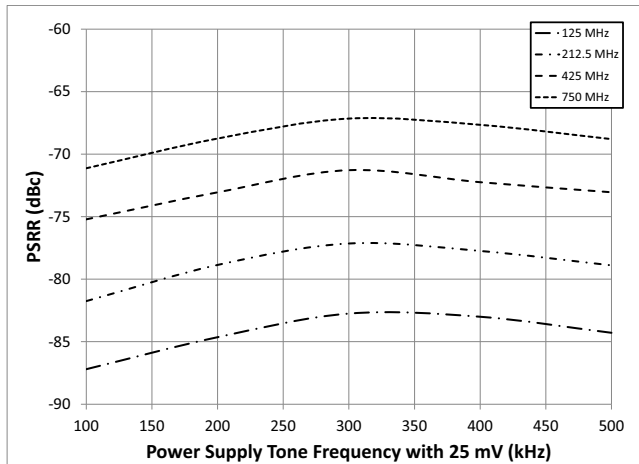
## 6.0 Typical Behavior



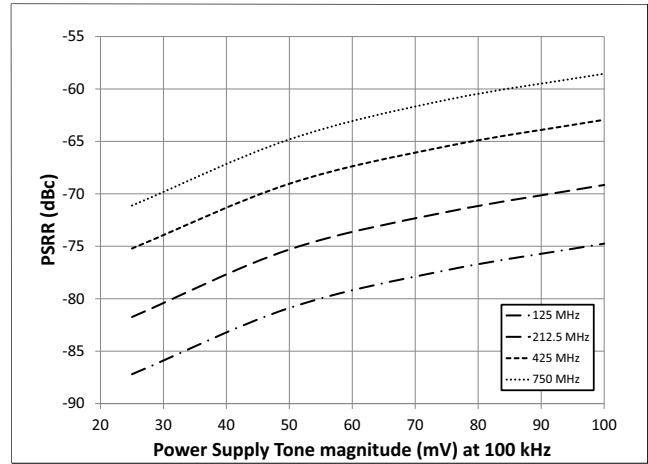
Typical Waveform at 155.52 MHz



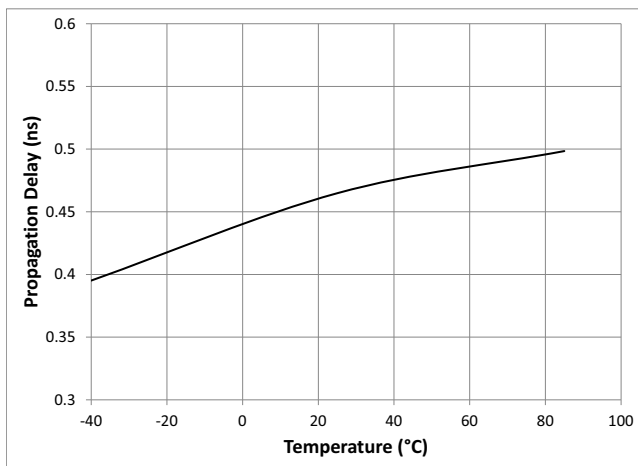
$V_{OD}$  versus Frequency



Power Supply Tone Frequency versus PSRR



Power Supply Tone Magnitude versus PSRR



Propagation Delay versus Temperature

Note: This is for a single device. For more details see the characterization section.

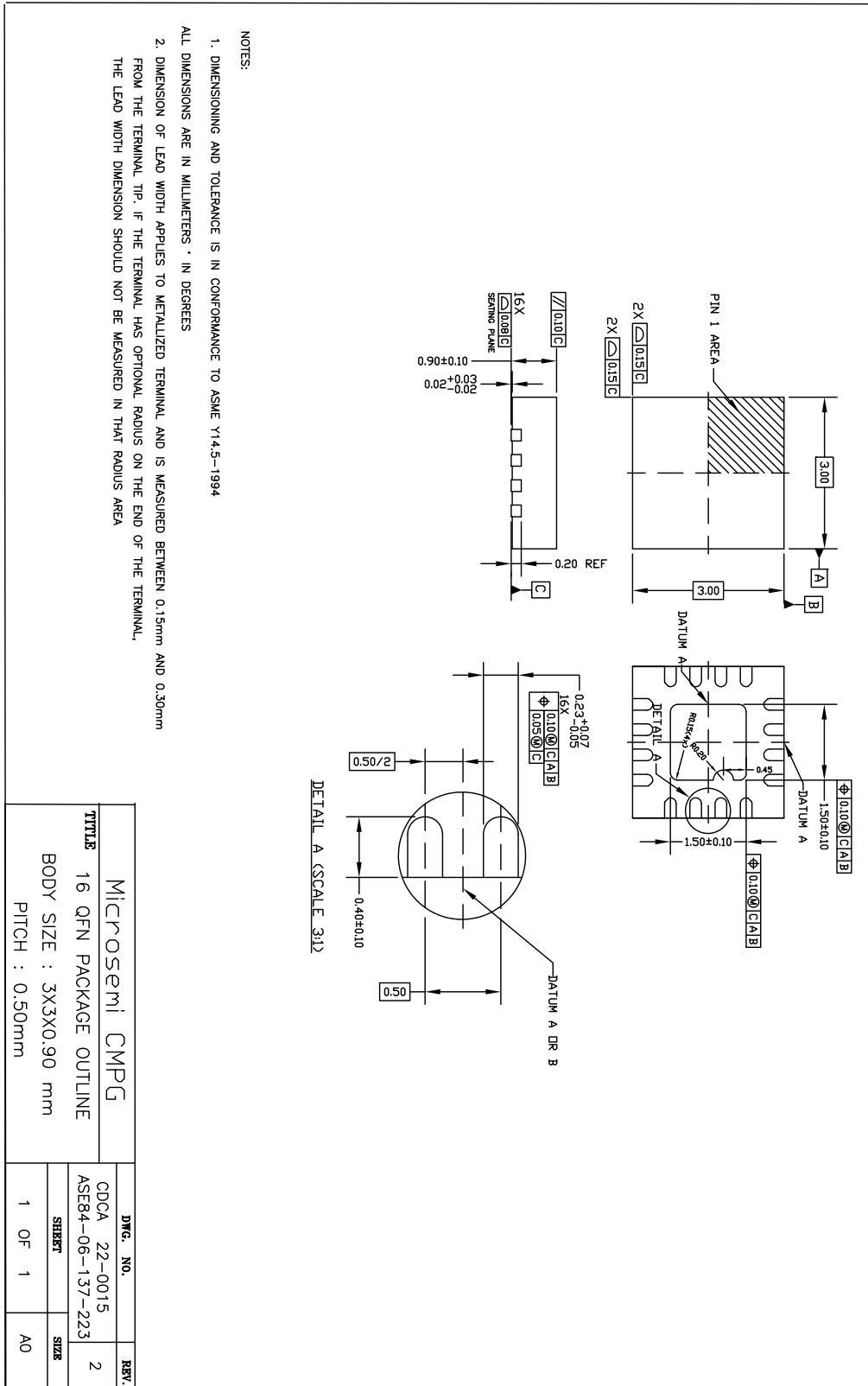
## 7.0 Package Thermal Characteristics

### Thermal Data

| Parameter                              | Symbol        | Test Condition | Value | Unit                        |
|--|---------------|----------------|-------|-----------------------------|
| Junction to Ambient Thermal Resistance | $\Theta_{JA}$ | Still Air      | 67.9  | $^{\circ}\text{C}/\text{W}$ |
|  |               | 1 m/s          | 61.6  |                             |
|  |               | 2 m/s          | 58.1  |                             |
| Junction to Case Thermal Resistance    | $\Theta_{JC}$ | Still Air      | 44.1  | $^{\circ}\text{C}/\text{W}$ |
| Junction to Board Thermal Resistance   | $\Theta_{JB}$ | Still Air      | 23.2  | $^{\circ}\text{C}/\text{W}$ |
| Maximum Junction Temperature*          | $T_{jmax}$    |                | 125   | $^{\circ}\text{C}$          |
| Maximum Ambient Temperature            | $T_A$         |                | 85    | $^{\circ}\text{C}$          |

\* Proper thermal management must be practiced to ensure that  $T_{jmax}$  is not exceeded.

### 8.0 Mechanical Drawing





**For more information about all Microsemi products  
visit our Web Site at**

**[www.microsemi.com](http://www.microsemi.com)**

Information relating to products and services furnished herein by Microsemi Corporation or its subsidiaries (collectively "Microsemi") is believed to be reliable. However, Microsemi assumes no liability for errors that may appear in this publication, or for liability otherwise arising from the application or use of any such information, product or service or for any infringement of patents or other intellectual property rights owned by third parties which may result from such application or use. Neither the supply of such information or purchase of product or service conveys any license, either express or implied, under patents or other intellectual property rights owned by Microsemi or licensed from third parties by Microsemi, whatsoever. Purchasers of products are also hereby notified that the use of product in certain ways or in combination with Microsemi, or non-Microsemi furnished goods or services may infringe patents or other intellectual property rights owned by Microsemi.

This publication is issued to provide information only and (unless agreed by Microsemi in writing) may not be used, applied or reproduced for any purpose nor form part of any order or contract nor to be regarded as a representation relating to the products or services concerned. The products, their specifications, services and other information appearing in this publication are subject to change by Microsemi without notice. No warranty or guarantee express or implied is made regarding the capability, performance or suitability of any product or service. Information concerning possible methods of use is provided as a guide only and does not constitute any guarantee that such methods of use will be satisfactory in a specific piece of equipment. It is the user's responsibility to fully determine the performance and suitability of any equipment using such information and to ensure that any publication or data used is up to date and has not been superseded. Manufacturing does not necessarily include testing of all functions or parameters. These products are not suitable for use in any medical **and other** products whose failure to perform may result in significant injury or death to the user. All products and materials are sold and services provided subject to Microsemi's conditions of sale which are available on request.

Purchase of Microsemi's I2C components conveys a license under the Philips I2C Patent rights to use these components in an I2C System, provided that the system conforms to the I2C Standard Specification as defined by Philips.

Microsemi, ZL, and combinations thereof, VoiceEdge, VoicePort, SLAC, ISLIC, ISLAC and VoicePath are trademarks of Microsemi Corporation.

**TECHNICAL DOCUMENTATION - NOT FOR RESALE**

---

## Данный компонент на территории Российской Федерации

### Вы можете приобрести в компании MosChip.

Для оперативного оформления запроса Вам необходимо перейти по данной ссылке:

<http://moschip.ru/get-element>

Вы можете разместить у нас заказ для любого Вашего проекта, будь то серийное производство или разработка единичного прибора.

В нашем ассортименте представлены ведущие мировые производители активных и пассивных электронных компонентов.

Нашей специализацией является поставка электронной компонентной базы двойного назначения, продукции таких производителей как XILINX, Intel (ex.ALTERA), Vicor, Microchip, Texas Instruments, Analog Devices, Mini-Circuits, Amphenol, Glenair.

Сотрудничество с глобальными дистрибьюторами электронных компонентов, предоставляет возможность заказывать и получать с международных складов практически любой перечень компонентов в оптимальные для Вас сроки.

На всех этапах разработки и производства наши партнеры могут получить квалифицированную поддержку опытных инженеров.

Система менеджмента качества компании отвечает требованиям в соответствии с ГОСТ Р ИСО 9001, ГОСТ РВ 0015-002 и ЭС РД 009

### Офис по работе с юридическими лицами:

105318, г.Москва, ул.Щербаковская д.3, офис 1107, 1118, ДЦ «Щербаковский»

Телефон: +7 495 668-12-70 (многоканальный)

Факс: +7 495 668-12-70 (доб.304)

E-mail: [info@moschip.ru](mailto:info@moschip.ru)

Skype отдела продаж:

moschip.ru

moschip.ru\_4

moschip.ru\_6

moschip.ru\_9