

---

**2.5Gbps x1 Lane Serial PCI-Express Repeater/Equalizer  
with Clock Buffer & Signal Detect Feature****Features**

- One high-speed PCI-Express lane
- Adjustable Transmitter De-Emphasis & Amplitude
- Adjustable Receiver Equalization
- One Spread Spectrum Reference Clock Buffer Output
- Input Signal Level Detect and Output Squelch
- 100Ω Differential CML I/O's
- Low Power (100mW per Channel)
- Stand-by Mode – Power Down State
- V<sub>DD</sub> Operating Range: 1.8V ±0.1V
- Packaging (Pb-free & Green):
  - 36-pad TQFN (ZF36)

**Description**

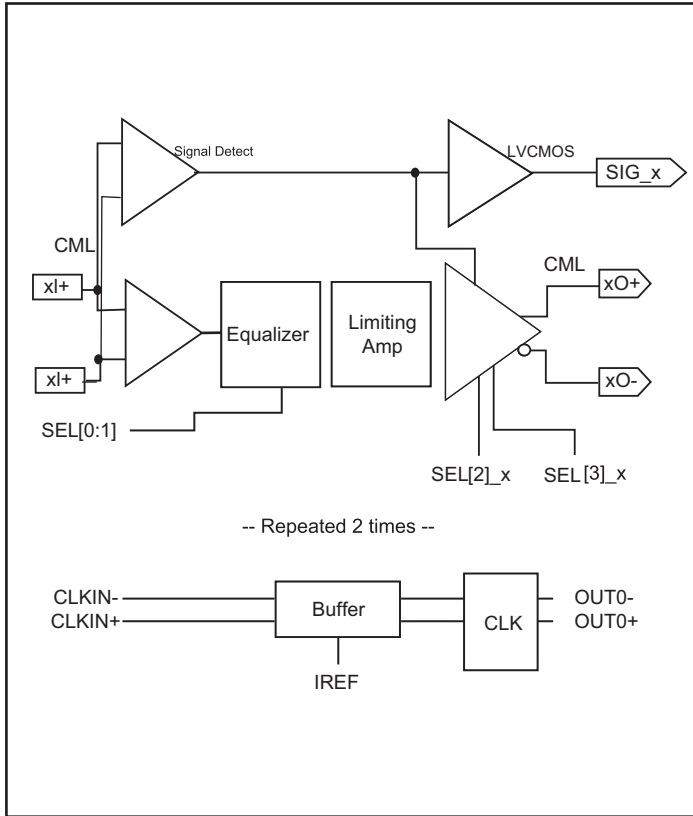
Pericom Semiconductor's PI2EQX4401D is a low power, PCI-Express compliant signal re-driver. The device provides programmable equalization, amplification, and de-emphasis by using 4 select bits, SEL[0:3], to optimize performance over a variety of physical mediums by reducing Inter-symbol interference. PI2EQX4401D supports two 100Ω Differential CML data I/O's between the Protocol ASIC to a switch fabric, across a backplane, or extends the signals across other distant data pathways on the user's platform.

The integrated equalization circuitry provides flexibility with signal integrity of the PCI-express signal before the re-driver. Whereas the integrated de-emphasis circuitry provides flexibility with signal integrity of the PCI-express signal after the Re-Driver.

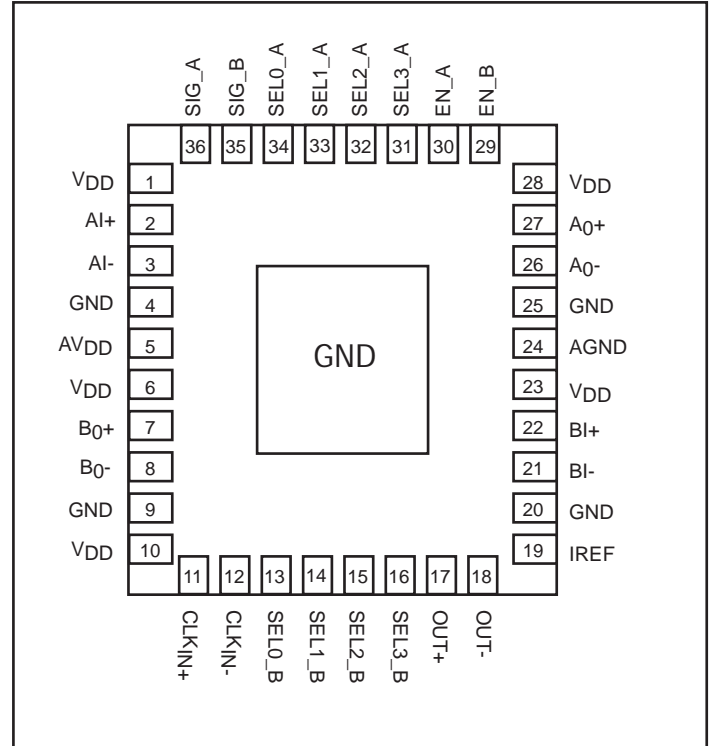
A low-level input signal detection and output squelch function is provided for both channels. Each channel operates fully independently. When a channel is enabled (EN\_x=1) and operating, that channel's input signal level (on x1+/-) determines whether the output is enabled. If the input level of the channel falls below the active threshold level (V<sub>th-</sub>) then the output driver switches off, and the pin is pulled to VDD via a high impedance resistor.

In addition to providing signal re-conditioning, Pericom's PI2EQX4401D also provides power management Stand-by mode operated by a Bus Enable pin. A differential clock buffer is provided for test and other system requirements. This clock function is not used by the data channels.

### Block Diagram



### Pin Description



**Pin Description**

Pin #	Pin Name	I/O	Description
1, 6, 10, 23, 28	V <sub>DD</sub>	PWR	1.8V Supply Voltage
2	AI+	I	Positive CML Input Channel A with internal 50Ω pull down during normal operation (EN_A=1). When EN_A=0, this pin is high-impedance.
3	AI-	I	Negative CML Input Channel A with internal 50Ω pull down during normal operation (EN_A=1). When EN_A=0, this pin is high-impedance.
4, 9, 20, 25	GND	PWR	Supply Ground
22	BI+	I	Positive CML Input Channel B with internal 50Ω pull down during normal operation (EN_B=1). When EN_B=0, this pin is high-impedance.
21	BI-	I	Negative CML Input Channel B with internal 50Ω pull down during normal operation (EN_B=1). When EN_B=0, this pin is high-impedance.
34, 33	SEL[0:1]_A	I	Selection pins for equalizer (see Amplifier Configuration Table) w/ 50KΩ internal pull up
13, 14	SEL[0:1]_B	I	
32	SEL[2]_A	I	Selection pins for amplifier (see Amplifier Configuration Table) w/ 50KΩ internal pull up
15	SEL[2]_B	I	
31	SEL[3]_A	I	Selection pins for De-Emphasis (See De-Emphasis Configuration Table) w/ 50KΩ internal pull up
16	SEL[3]_B	I	
27	AO+	O	Positive CML Output Channel A internal 50Ω pull up during normal operation and 2KΩ pull up otherwise.
26	AO-	O	Negative CML Output Channel A with internal 50Ω pull up during normal operation and 2KΩ pull up otherwise.
7	BO+	O	Positive CML Output Channel B with internal 50Ω pull up during normal operation and 2KΩ pull up otherwise.
8	BO-	O	Negative CML Output Channel B with internal 50Ω pull up during normal operation and 2KΩ pull up otherwise.
30, 29	EN_[A,B]	I	EN_[A:B] is the enable pin. A LVCMOS high provides normal operation. A LVCMOS low selects a low power down mode.
12	CLKIN-	I	Differential Input Reference Clock. If clock buffer is not used, then both CLKIN+, CLKIN- should be pulled high to VDD.
11	CLKIN+	I	
17, 18	OUT+, OUT-	O	Differential Reference Clock Output
5	AVDD	PWR	1.8V Analog supply voltage
24	AGND	PWR	Analog ground
19	IREF	O	External 475Ω resistor connection to set the differential output current. If the clock buffer is not used, then IREF should be unconnected (open).
36, 35	SIG_A, SIG_B	O	SIG Detector output for channel A-B. Provides a LVCMOS high output when an input signal greater than the threshold is detected

### Maximum Ratings

(Above which useful life may be impaired. For user guidelines, not tested.)

Storage Temperature.....	-65°C to +150°C
Supply Voltage to Ground Potential.....	-0.5V to +2.5V
DC SIG Voltage.....	-0.5V to V <sub>DD</sub> +0.5V
Current Output .....	-25mA to +25mA
Power Dissipation Continuous.....	500mW
Operating Temperature.....	0 to +70°C

**Note:**

Stresses greater than those listed under MAXIMUM RATINGS may cause permanent damage to the device. This is a stress rating only and functional operation of the device at these or any other conditions above those indicated in the operational sections of this specification is not implied. Exposure to absolute maximum rating conditions for extended periods may affect reliability.

### Output Swing Control

SEL2_[A:B]	Swing
0	1x
1	1.2x

### Output De-emphasis Adjustment

SEL3_[A:B]	De-emphasis
0	0dB
1	-3.5dB

### Equalizer Selection

SEL0_[A:B]	SEL1_[A:B]	Compliance Channel
0	0	no equalization
0	1	[0:2.5dB] @ 1.25 GHz
1	0	[2.5:4.5dB] @ 1.25 GHz
1	1	[4.5:6.5dB] @ 1.25 GHz

**Note:**

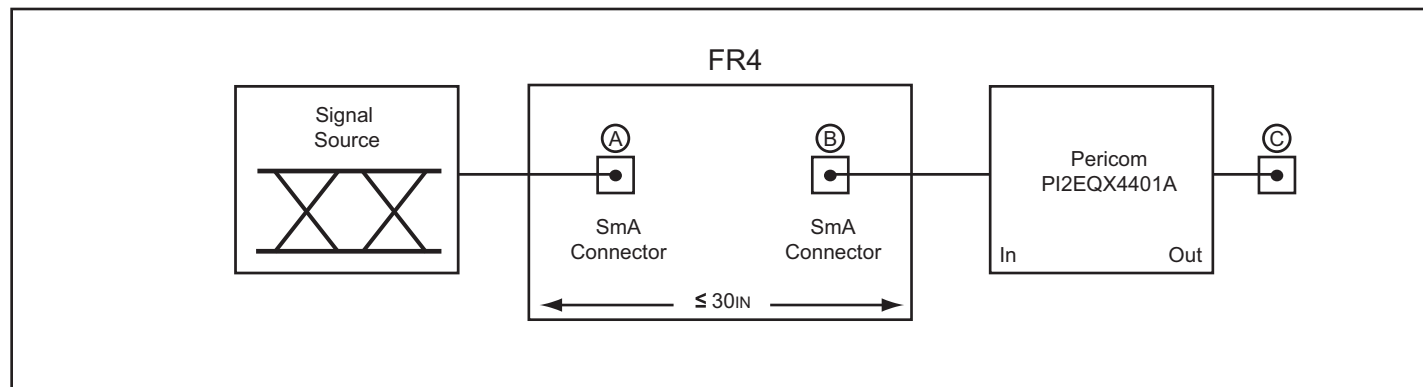
1. Design target specification. Absolute values will be based on characterization.

**AC/DC Electrical Characteristics** ( $V_{DD} = 1.8 \pm 0.1V$ )

Symbol	Parameter	Conditions	Min.	Typ.	Max.	Units
P <sub>S</sub>	Supply Power	EN = LVCMOS Low			0.1	W
		EN = LVCMOS High			0.6	
	Latency	From input to output		2.0		ns
<b>CML Receiver Input</b>						
R <sub>L</sub> R <sub>X</sub>	Return Loss	50 MHz to 1.25 GHz		12		dB
V <sub>RX-DIFFP-P</sub>	Differential Input Peak-to-peak Voltage		0.175		1.200	V
V <sub>RX-CM-ACP</sub>	AC Peak Common Mode Input Voltage				150	mV
V <sub>TH-</sub>	Signal Detection Threshold	EN <sub>x</sub> =High		120	175	mV
Z <sub>RX-DIFF-DC</sub>	DC Differential Input Impedance		80	100	120	Ω
Z <sub>RX-DC</sub>	DC Input Impedance		40	50	60	
<b>Equalization</b>						
J <sub>RS</sub>	Residual Jitter	Total Jitter <sup>(2)</sup>			0.3	Ulp-p
		Deterministic jitter			0.2	
J <sub>RM</sub>	Random Jitter	See note 2		1.5		psrms

**Notes**

1. K28.7 pattern is applied differentially at point A as shown in Figure 1.
2. Total jitter does not include the signal source jitter. Total jitter (TJ) = (14.1 × RJ + DJ) where RJ is random RMS jitter and DJ is maximum deterministic jitter. Signal source is a K28.5 ± pattern (00 1111 1010 11 0000 0101) for the deterministic jitter test and K28.7 (0011111000) or equivalent for random jitter test. Residual jitter is that which remains after equalizing media-induced losses of the environment of Figure 1 or its equivalent. The deterministic jitter at point B must be from media-induced loss, and not from clock source modulation. Jitter is measured at 0V at point C of Figure 1.



**Figure 1. Test Condition Referenced in the Electrical Characteristic Table**

**AC/DC Electrical Characteristics** ( $T_A = 0$  to  $70^\circ\text{C}$ )

Symbol	Parameter	Conditions	Min.	Typ.	Max.	Units
<b>CML Transmitter Output (100Ω differential)</b>						
$V_{\text{DIFFP}}$	Output Voltage Swing	Differential Swing $ V_{\text{TX-D+}} - V_{\text{TX-D-}} $	400		650	mVp-p
$V_{\text{TX-C}}$	Common-Mode Voltage	$ V_{\text{TX-D+}} + V_{\text{TX-D-}}  / 2$		$V_{\text{DD}} - 0.3$		
$t_F, t_R$	Transition Time	20% to 80% <sup>(3)</sup>			150	ps
$Z_{\text{OUT}}$	Output resistance	Single ended	40	50	60	Ω
$Z_{\text{TX-DIFF-DC}}$	DC Differential TX Impedance		80	100	120	Ω
$C_{\text{TX}}$	AC Coupling Capacitor		75		200	nF
$V_{\text{TX-DIFFP-P}}$	Differential Peak-to-peak Output Voltage	$V_{\text{TX-DIFFP-P}} = 2 *  V_{\text{TX-D+}} - V_{\text{TX-D-}} $	0.8		1.3	V
<b>LVC MOS Control Pins</b>						
$V_{\text{IH}}$	Input High Voltage		$0.65 \times V_{\text{DD}}$		$V_{\text{DD}}$	V
$V_{\text{IL}}$	Input Low Voltage				$0.35 \times V_{\text{DD}}$	
$I_{\text{IH}}$	Input High Current				250	μA
$I_{\text{IL}}$	Input Low Current				500	

**Notes**

3. Using K28.7 (0011111000) pattern)
4. AC specifications are guaranteed by design and characterization

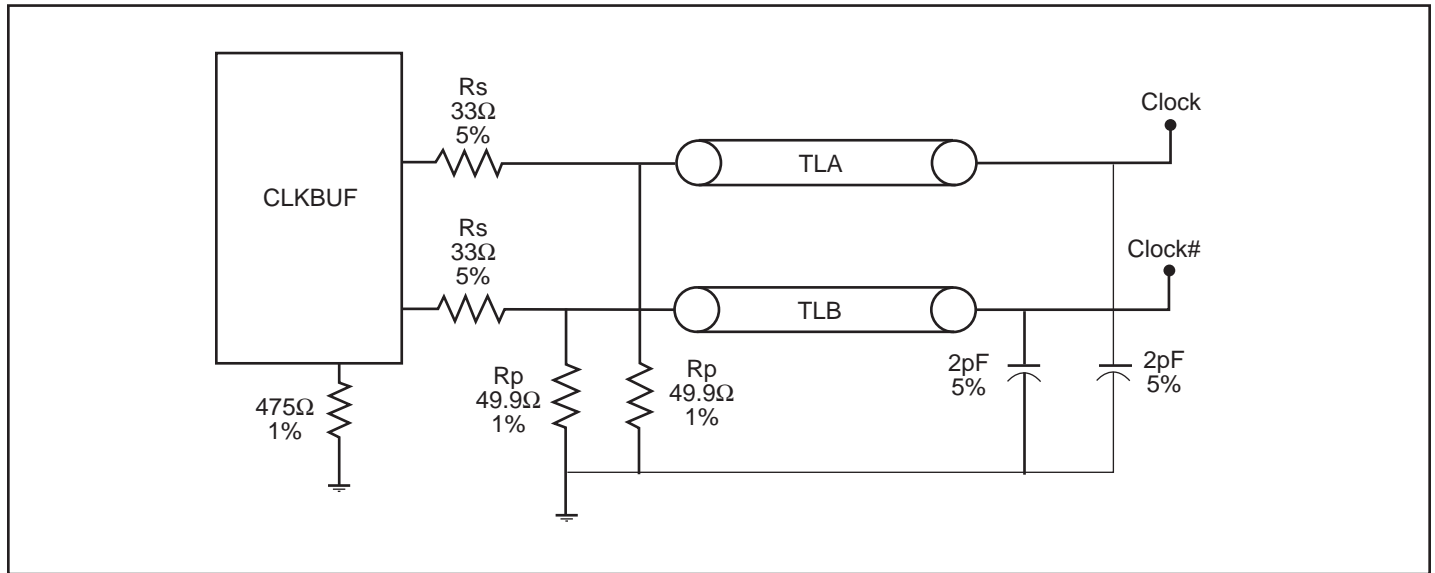
**AC Switching Characteristics for Clock Buffer** ( $V_{DD} = 1.8 \pm 0.1V$ ,  $AV_{DD} = 1.8 \pm 0.1V$ )

Symbol	Parameters	Min	Max.	Units	Notes
$T_{rise} / T_{fall}$	Rise and Fall Time (measured between 0.175V to 0.525V)	125	525	ps	1
$\square T_{rise} / \square T_{fall}$	Rise and Fall Time Variation		75		1
$V_{HIGH}$	Voltage High including overshoot	660	900	mV	1
$V_{LOW}$	Voltage Low including undershoot	-200			1
$V_{CROSS}$	Absolute crossing point voltages	200	550		1
$\square V_{CROSS}$	Total Variation of $V_{cross}$ over all edges		250		1
$T_{DC}$	Duty Cycle (input duty cycle = 50%)	45	55	%	2

**Notes:**

1. Measurement taken from Single Ended waveform.
2. Measurement taken from Differential waveform.
3. Test configuration is  $R_S = 33.2\Omega$ ,  $R_p = 49.9\Omega$ , and 2pF.

**Configuration Test Load Board Termination**

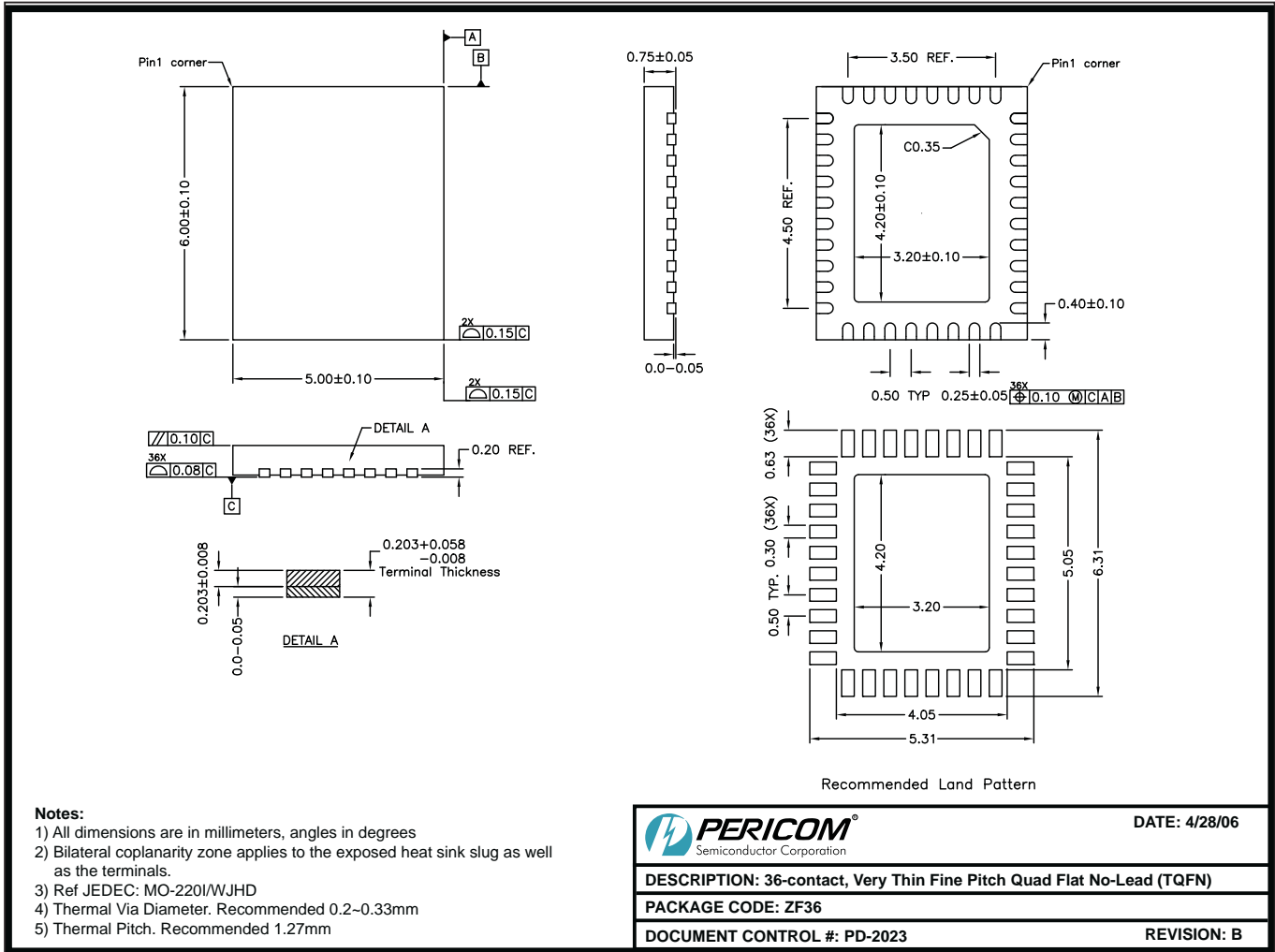


**Figure 2. Configuration test load board termination**

**Note:**

1. TLA and TLB are 3” transmission lines.

**Packaging Mechanical: 36-pad TQFN (ZF36)**



**Ordering Information**

Ordering Number	Package Code	Package Description
PI2EQX4401DZFE	ZF	Pb-Free and Green 36-pad TQFN

**Notes:**

1. Thermal characteristics can be found on the company web site at [www.pericom.com/packaging/](http://www.pericom.com/packaging/)



## Данный компонент на территории Российской Федерации

### Вы можете приобрести в компании MosChip.

Для оперативного оформления запроса Вам необходимо перейти по данной ссылке:

<http://moschip.ru/get-element>

Вы можете разместить у нас заказ для любого Вашего проекта, будь то серийное производство или разработка единичного прибора.

В нашем ассортименте представлены ведущие мировые производители активных и пассивных электронных компонентов.

Нашей специализацией является поставка электронной компонентной базы двойного назначения, продукции таких производителей как XILINX, Intel (ex.ALTERA), Vicor, Microchip, Texas Instruments, Analog Devices, Mini-Circuits, Amphenol, Glenair.

Сотрудничество с глобальными дистрибьюторами электронных компонентов, предоставляет возможность заказывать и получать с международных складов практически любой перечень компонентов в оптимальные для Вас сроки.

На всех этапах разработки и производства наши партнеры могут получить квалифицированную поддержку опытных инженеров.

Система менеджмента качества компании отвечает требованиям в соответствии с ГОСТ Р ИСО 9001, ГОСТ РВ 0015-002 и ЭС РД 009

### Офис по работе с юридическими лицами:

105318, г.Москва, ул.Щербаковская д.3, офис 1107, 1118, ДЦ «Щербаковский»

Телефон: +7 495 668-12-70 (многоканальный)

Факс: +7 495 668-12-70 (доб.304)

E-mail: [info@moschip.ru](mailto:info@moschip.ru)

Skype отдела продаж:

moschip.ru

moschip.ru\_4

moschip.ru\_6

moschip.ru\_9