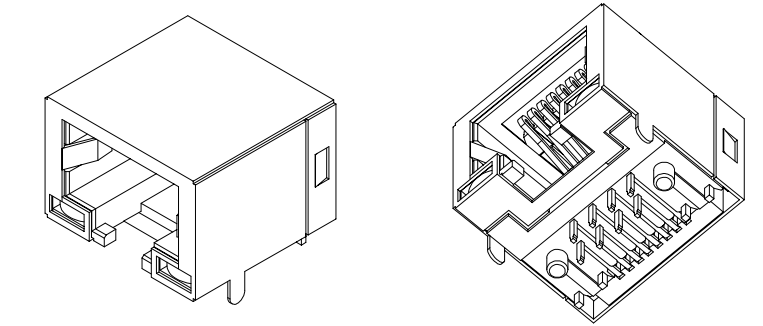
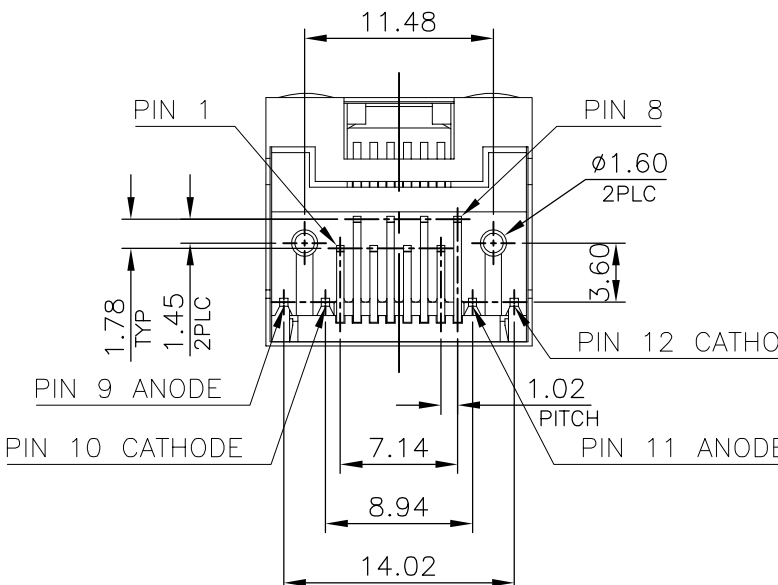


- NOTE:
- MATERIAL:
 - HOUSING: PA46, WITH 30% GF, UL94V-0, BLACK COLOR.
 - INSERT HOUSING: PA46, WITH 30% GF, UL94V-0, BLACK COLOR.
 - CONTACTS: PHOSPHOR BRONZE.
 - SHELL: BRASS.
 - LED SOLDER TAIL: STEEL.
 - MYLAR: SILICONE POLYMER.
 - FINISH:
 - CONTACTS: (SEE TABLE) GOLD PLATED ON CONTACT AREA. GOLD FLASH ON SOLDER TAIL. 1.27um [50u"] MIN. NICKEL UNDERPLATED OVERALL.
 - SHELL: 0.508um [20u"] MIN. NICKEL PLATED.
 - LED: 1.02um [40u"] COPPER UNDERPLATED OVERALL. 1.27um [50u"] NICKEL OVERALL. 1.27um [50u"] SILVER ON BONDING AREA. 2.54um [100u"] BRIGHT-TIN ON SOLDER AREA.
 - LED MUST BE REFLOW COMPATIBLE TO FOLLOWING TEMPERATURE PROFILE (FOR 1 CYCLE): ABOVE 160°C FOR 120 SECONDS, PEAKING AT 230°C FOR 6~8 SECONDS.
 - LED DEFECT RATE IS 6000 PPM MAX. AFTER IR REFLOW PROCESS AS NOTE 3.
 - APPLIED TO WAVE SOLDERING PROCESS.
 - OBsolete PARTS: OBsolete CIS STREAMLINING PER D.RENAUD/D.SINISI.

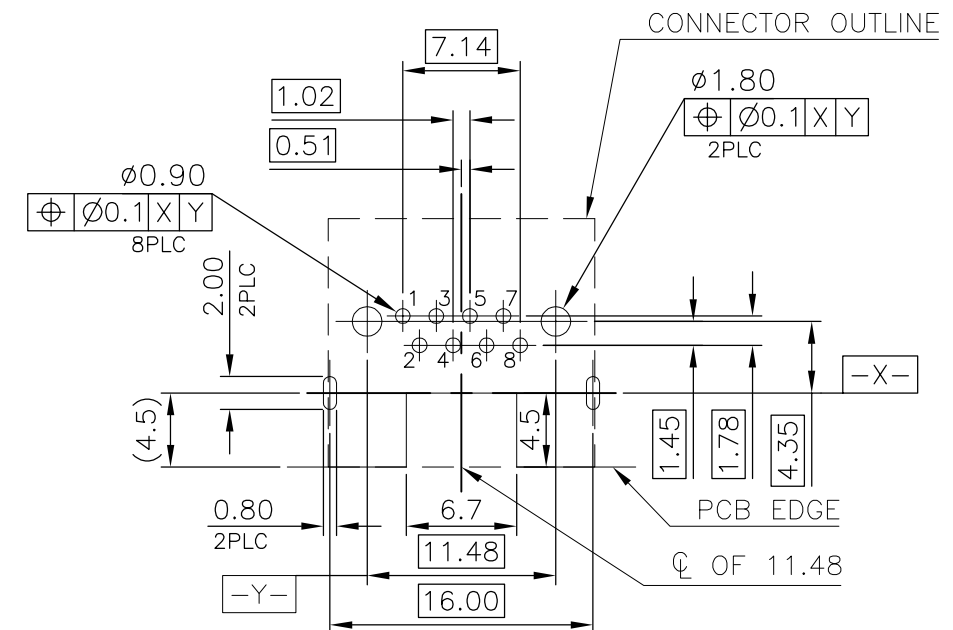
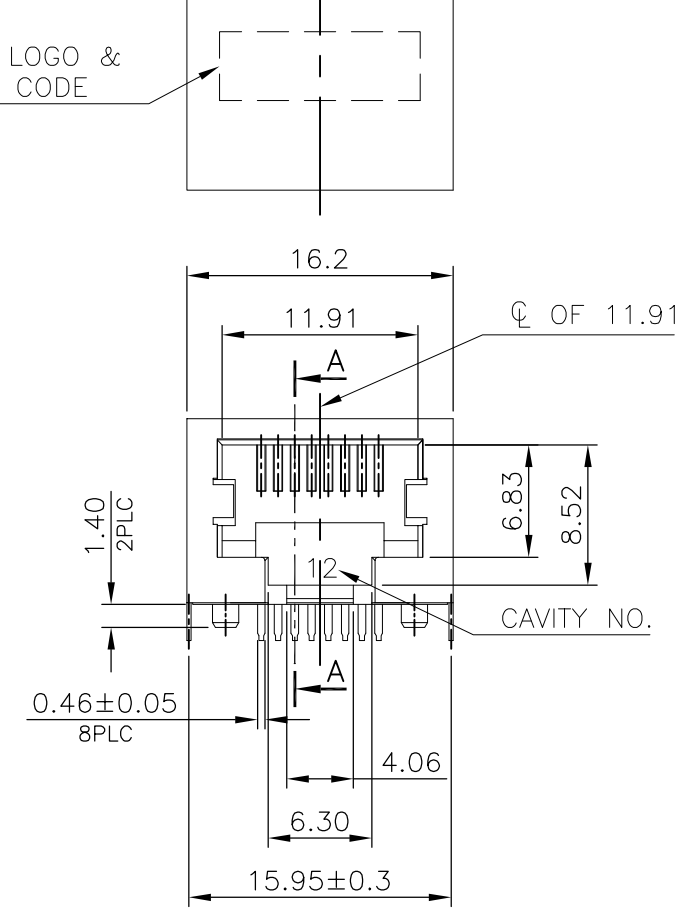
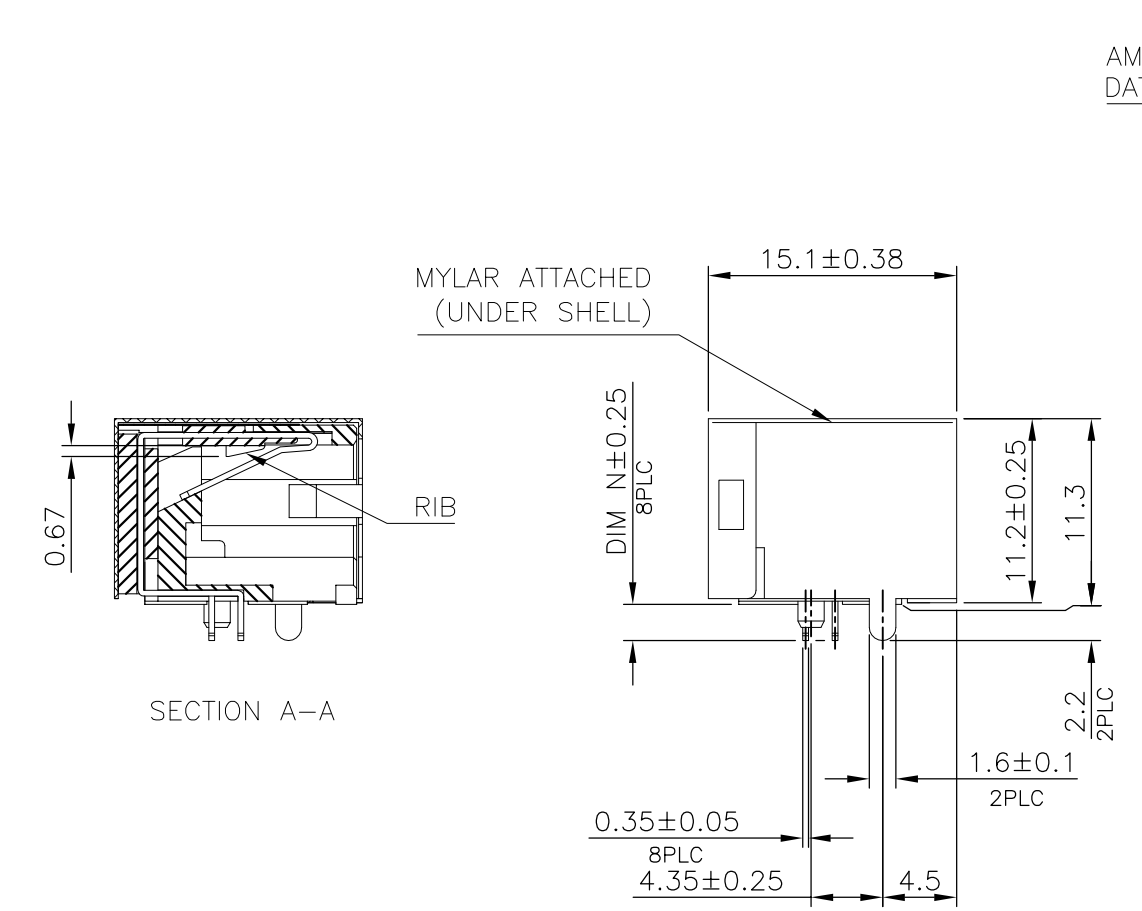


TRAY	YELLOW	GREEN	1.27um[50u"]	1734509-8
			0.762um[30u"]	1734509-7
			0.381um[15u"]	1734509-6
	GREEN	YELLOW	0.152um[6u"]	1734509-5
			1.27um[50u"]	1734509-4
			0.762um[30u"]	1734509-3
PACKAGE	POSITION 2	POSITION 1	MIN. GOLD THICKNESS	PART NUMBER
	INDICATOR COLOR			

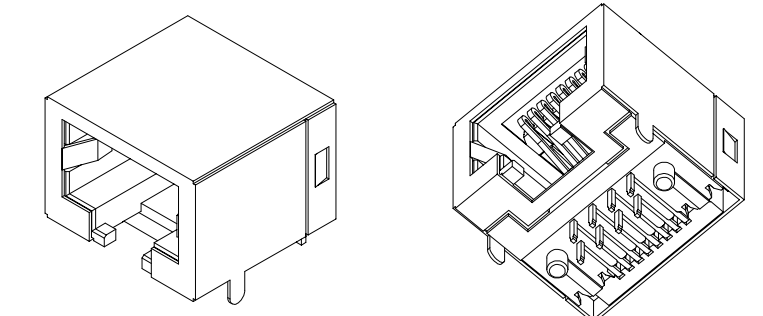
THIS DRAWING IS A CONTROLLED DOCUMENT.

DIMENSIONS: mm	TOLERANCES UNLESS OTHERWISE SPECIFIED:	DWN O. HU 03OCT2005	TE Connectivity
	0 PLC ± -	CHK S. HOU 03OCT2005	
	1 PLC ± 0.3	APVD W.J. KE 03OCT2005	
MATERIAL	FINISH	PRODUCT SPEC	
SEE NOTE	SEE NOTE	108-57527	MODULAR JACK RJ45 8P8C, WITH SHELL, DIP, REVERSE TYPE
		APPLICATION SPEC	SIZE
		WEIGHT	CAGE CODE
		CUSTOMER DRAWING	DRAWING NO
			RESTRICTED TO
			A3 00779 C=1734509
			SCALE
			SHEET 1 OF 4
			REV A6

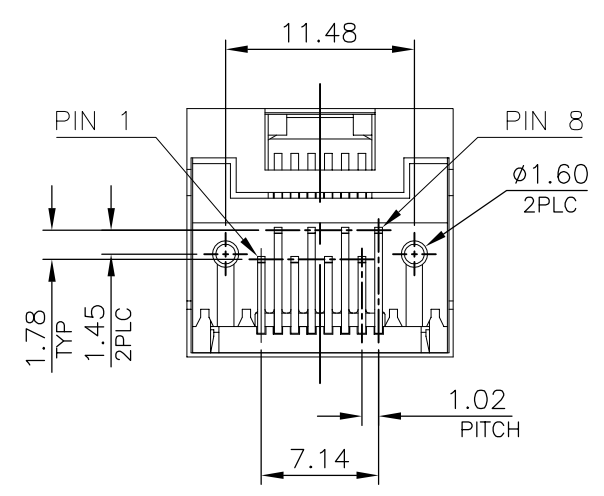
LOC	DIST	REVISIONS				
P	LTR	DESCRIPTION	DATE	DWN	APVD	
DW		SEE SHEET 1.				



RECOMMENDED PCB LAYOUT (TOP VIEW)
 PCB THICKNESS: 1.6MM, TOLERANCE: ±0.05



- NOTE:
- MATERIAL:
 - HOUSING: PA46, WITH 30% GF, UL94V-0, BLACK COLOR. OR LCP WITH 30% G.F. UL94V-0, BLACK COLOR. (SEE TABLE)
 - INSERT HOUSING: PA46, WITH 30% GF, UL94V-0, BLACK COLOR. OR LCP WITH 30% G.F. UL94V-0, BLACK COLOR. (SEE TABLE)
 - CONTACTS: PHOSPHOR BRONZE.
 - SHELL: BRASS.
 - MYLAR: SILICONE POLYMER.
 - FINISH:
 - CONTACTS: (SEE TABLE) GOLD PLATED ON CONTACT AREA. GOLD FLASH ON SOLDER TAIL. 1.27um [50u"] MIN. NICKEL UNDERPLATED OVERALL.
 - SHELL: 0.508um [20u"] MIN. NICKEL PLATED.
 - APPLIED TO WAVE SOLDERING PROCESS.
- △ OBSOLETE PARTS: OBSOLETE CIS STREAMLINING PER D.RENAUD/D.SINISI.



△ OBSOLETE	LCP	TAPE & REEL	3.5	0.152um[6u"]	1-1734509-5
	PA46	TAPE & REEL	2.2	1.27um[50u"]	1-1734509-4
				0.762um[30u"]	1-1734509-3
				0.381um[15u"]	1-1734509-2
				0.152um[6u"]	1-1734509-1
	HOUSING&INSERT MATERIAL	PACKAGE	DIM N	MIN. GOLD THICKNESS	PART NUMBER

THIS DRAWING IS A CONTROLLED DOCUMENT.		DWN		TE Connectivity	
DIMENSIONS: mm		CHK			
TOLERANCES UNLESS OTHERWISE SPECIFIED:		APVD		NAME	
0 PLC ± - 1 PLC ± 0.3 2 PLC ± 0.2 3 PLC ± 0.15 4 PLC ± - ANGLES ± 3°		PRODUCT SPEC		MODULAR JACK RJ45 8P8C, WITH SHELL, DIP, REVERSE TYPE	
MATERIAL		APPLICATION SPEC		RESTRICTED TO	
FINISH		WEIGHT		SIZE	
		CUSTOMER DRAWING		CAGE CODE	
				DRAWING NO	
				A3 00779 C=1734509	
		SCALE		SHEET	
		-		2 OF 4	
				REV	
				A6	

4

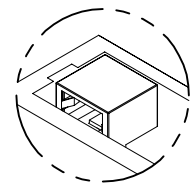
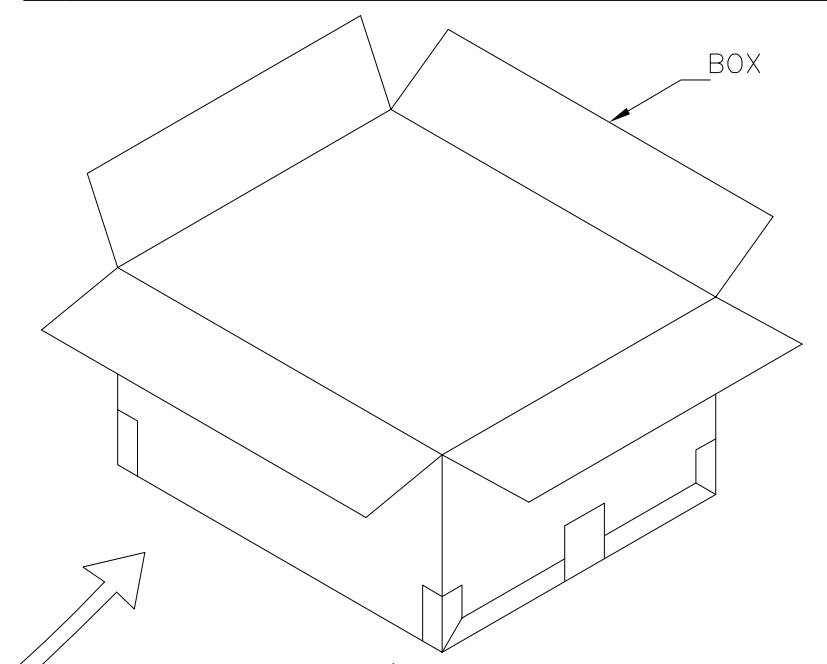
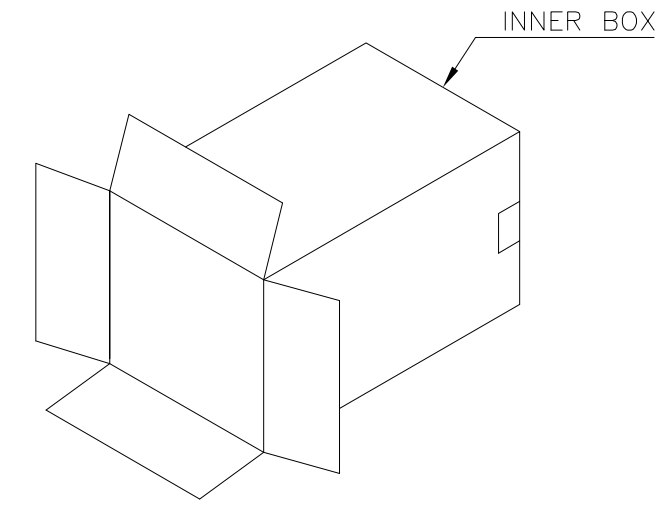
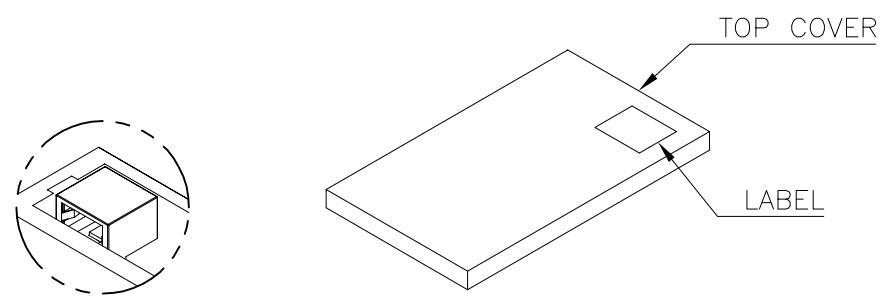
3

2

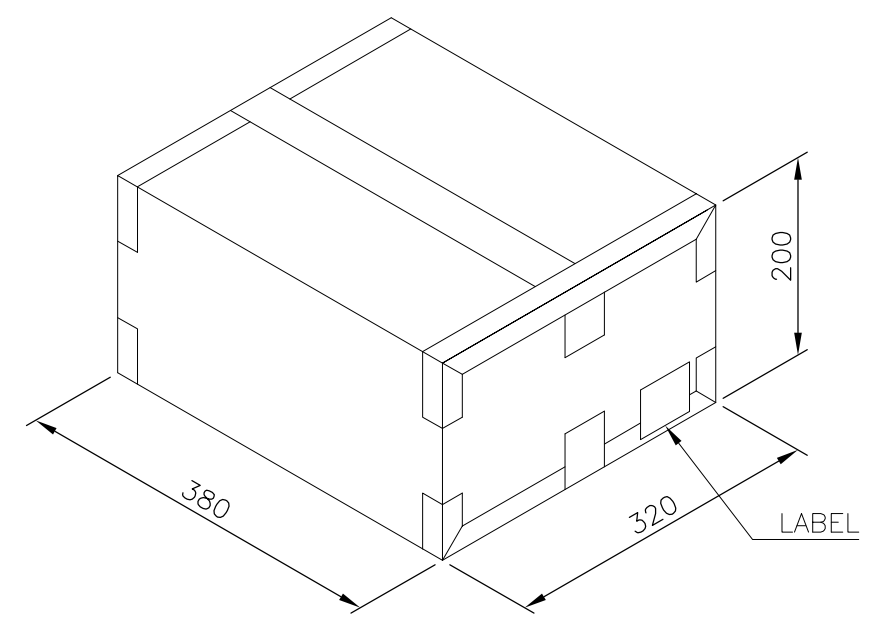
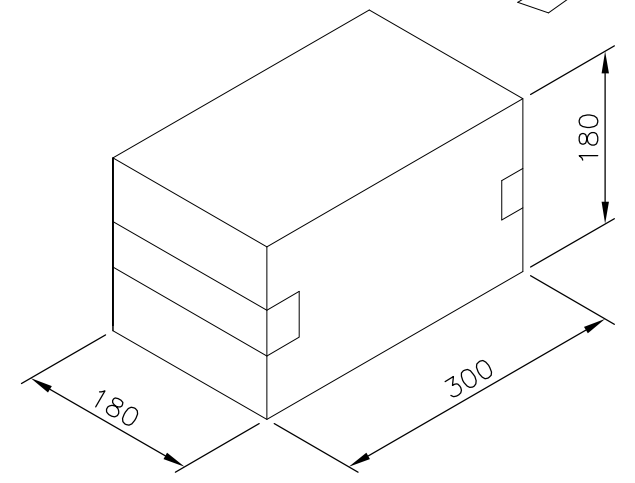
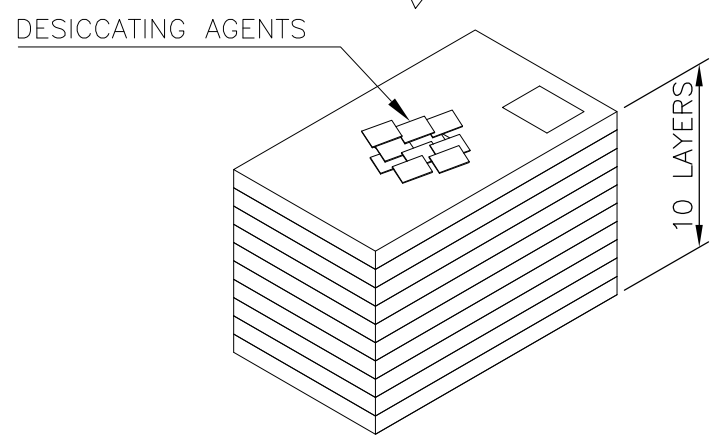
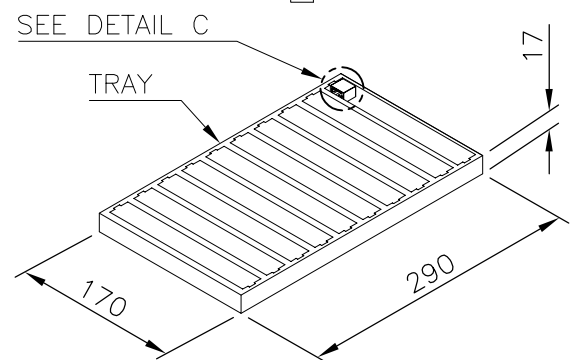
1

THIS DRAWING IS UNPUBLISHED. RELEASED FOR PUBLICATION
 © COPYRIGHT 2011 BY TYCO ELECTRONICS CORPORATION. ALL RIGHTS RESERVED.

LOC	DIST	REVISIONS				
P	LTR	DESCRIPTION	DATE	DWN	APVD	
		SEE SHEET 1.				



DETAIL C



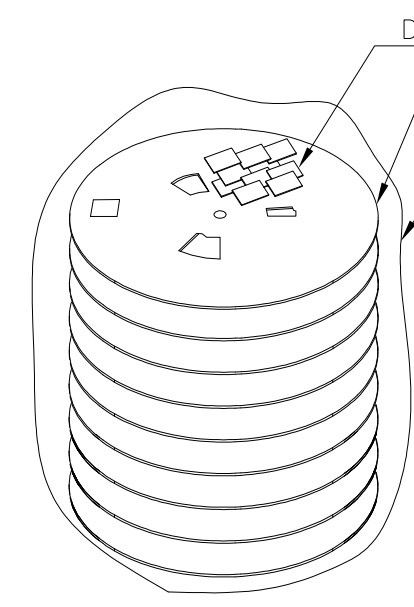
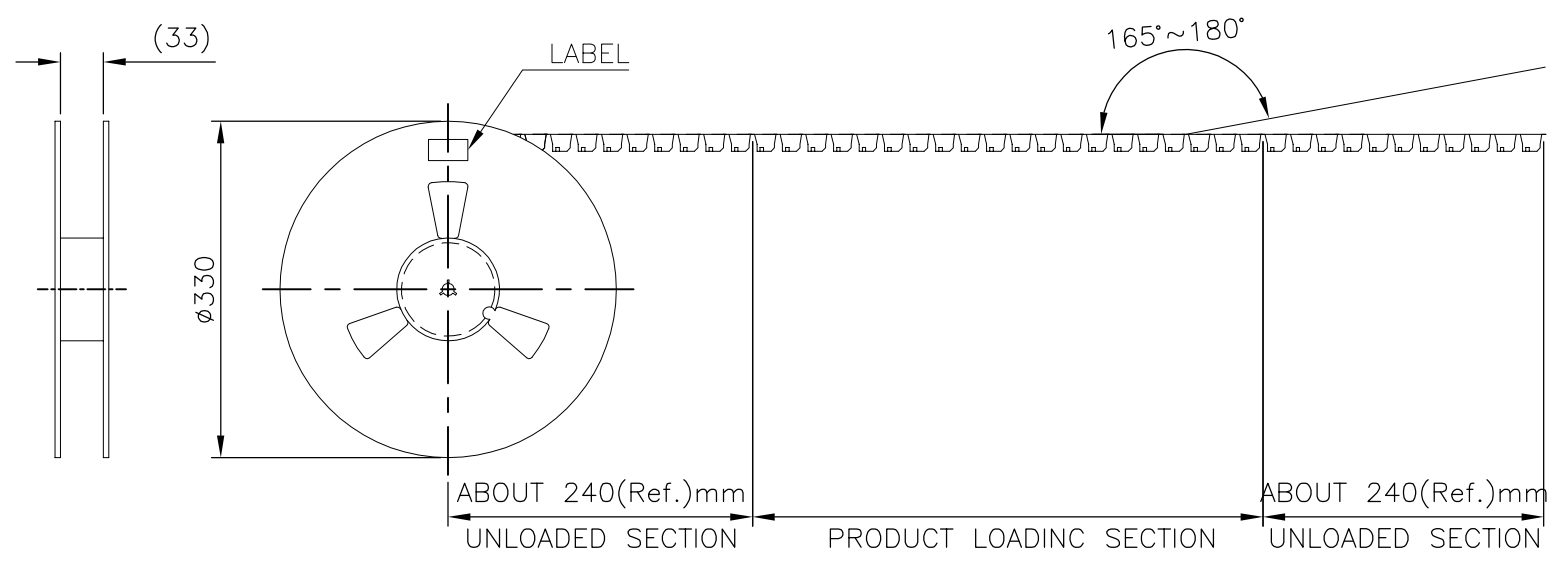
- NOTES:
- MATERIAL:
 TRAY: PVC.
 BOX: CORRUGATED FIBER.
 - DIMENSION: SEE DRAWING
 - QUANTITY: SEE TABLE
 - WEIGHT: SEE TABLE

9.65Kg	7.65Kg	90	20	1800	1734509-X
GROSS WEIGHT	NET WEIGHT	PCS /TRAY	TRAY /BOX	PCS /BOX	PART NUMBER

THIS DRAWING IS A CONTROLLED DOCUMENT.		DWN	TE Connectivity NAME MODULAR JACK RJ45 8P8C, WITH SHELL, DIP, REVERSE TYPE				
DIMENSIONS: mm		CHK					
TOLERANCES UNLESS OTHERWISE SPECIFIED:		APVD					
0 PLC ± - 1 PLC ± 0.3 2 PLC ± 0.2 3 PLC ± 0.15 4 PLC ± - ANGLES ± 3°		PRODUCT SPEC					
MATERIAL		FINISH	APPLICATION SPEC	SIZE	CAGE CODE	DRAWING NO	RESTRICTED TO
			WEIGHT	A3	00779	1734509	
CUSTOMER DRAWING			SCALE	SHEET	3 OF 4	REV	A6

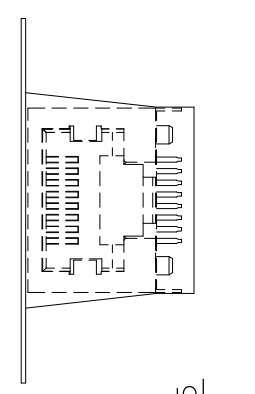
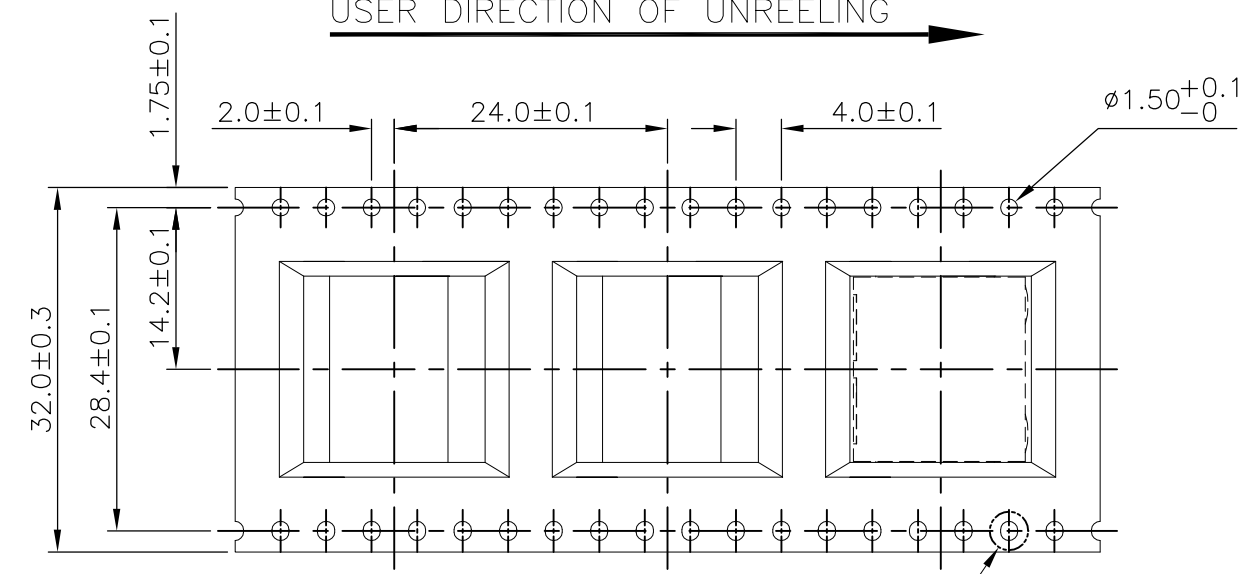
THIS DRAWING IS UNPUBLISHED. RELEASED FOR PUBLICATION
 © COPYRIGHT 2011 BY TYCO ELECTRONICS CORPORATION. ALL RIGHTS RESERVED.

LOC	DIST	REVISIONS				
P	LTR	DESCRIPTION	DATE	DWN	APVD	
		SEE SHEET 1.				

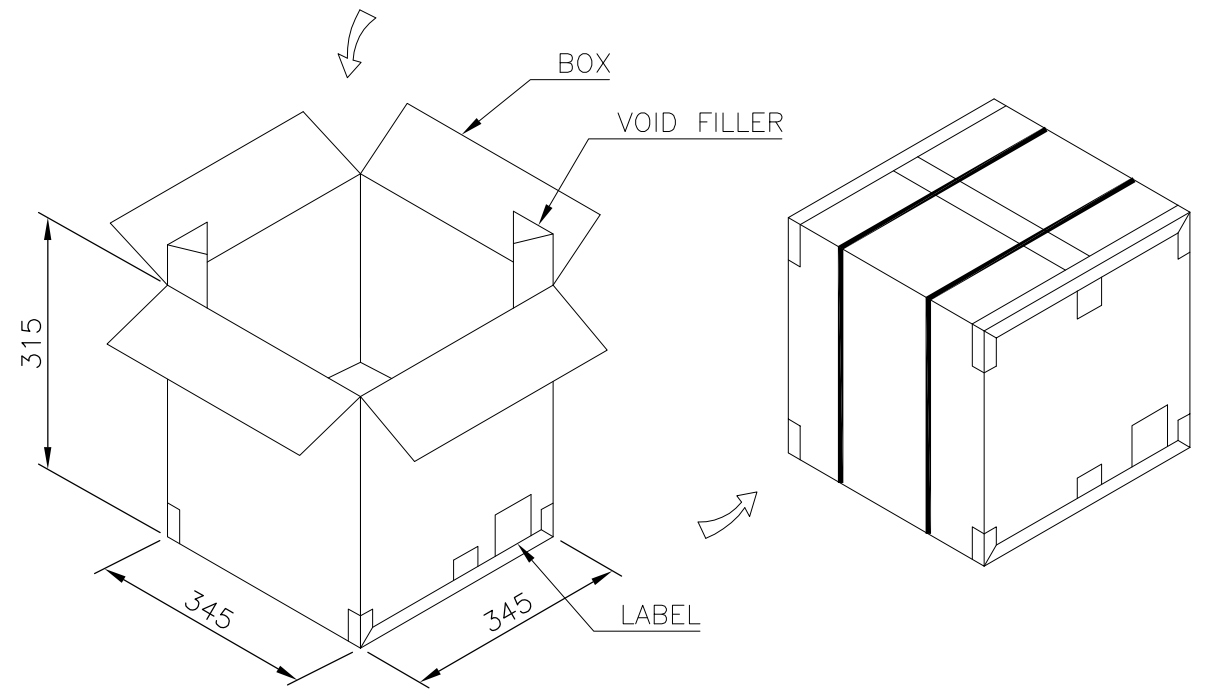


- NOTE:
- EACH BAG SHALL BE INCLUDED:
*DESICCANT
 - PEELING STRENGTH: 0.1~1.3N(1~130 GRAMS)
FOR 12~56mm WIDE CARRIER TAPES
 - PEELING SPEED: 300mm/MINUTES.
 - PACKAGING MATERIAL:
 - COVER TAPE—COMPOSITE OF POLYETHYLENE TEREPHTHALATE (PET)
 - CARRIER—POLYSTYRENE (PS)
 - CARRIER REEL—POLYSTYRENE

USER DIRECTION OF UNREELING →



DETAIL C
SCALE 4:1



9.20KG	5.77KG	180	8	1440	1-1734509-X
GROSS WEIGHT	NET WEIGHT	PCS /REEL	REEL /BOX	PCS /BOX	PART NUMBER

THIS DRAWING IS A CONTROLLED DOCUMENT.		DWN	TE Connectivity NAME MODULAR JACK RJ45 8P8C, WITH SHELL, DIP, REVERSE TYPE				
DIMENSIONS: mm		CHK					
TOLERANCES UNLESS OTHERWISE SPECIFIED:		APVD					
0 PLC ± - 1 PLC ± 0.3 2 PLC ± 0.2 3 PLC ± 0.15 4 PLC ± - ANGLES ± 3°		PRODUCT SPEC					
MATERIAL		FINISH	APPLICATION SPEC	SIZE	CAGE CODE	DRAWING NO	RESTRICTED TO
			WEIGHT	A3	00779	1734509	
CUSTOMER DRAWING			SCALE	SHEET	4 OF 4	REV	A6

Данный компонент на территории Российской Федерации

Вы можете приобрести в компании MosChip.

Для оперативного оформления запроса Вам необходимо перейти по данной ссылке:

<http://moschip.ru/get-element>

Вы можете разместить у нас заказ для любого Вашего проекта, будь то серийное производство или разработка единичного прибора.

В нашем ассортименте представлены ведущие мировые производители активных и пассивных электронных компонентов.

Нашей специализацией является поставка электронной компонентной базы двойного назначения, продукции таких производителей как XILINX, Intel (ex.ALTERA), Vicor, Microchip, Texas Instruments, Analog Devices, Mini-Circuits, Amphenol, Glenair.

Сотрудничество с глобальными дистрибьюторами электронных компонентов, предоставляет возможность заказывать и получать с международных складов практически любой перечень компонентов в оптимальные для Вас сроки.

На всех этапах разработки и производства наши партнеры могут получить квалифицированную поддержку опытных инженеров.

Система менеджмента качества компании отвечает требованиям в соответствии с ГОСТ Р ИСО 9001, ГОСТ РВ 0015-002 и ЭС РД 009

Офис по работе с юридическими лицами:

105318, г.Москва, ул.Щербаковская д.3, офис 1107, 1118, ДЦ «Щербаковский»

Телефон: +7 495 668-12-70 (многоканальный)

Факс: +7 495 668-12-70 (доб.304)

E-mail: info@moschip.ru

Skype отдела продаж:

moschip.ru

moschip.ru_4

moschip.ru_6

moschip.ru_9