

**DATA SHEET**

# SKY85712-21: 5 GHz WLAN Front-End Module

## Applications

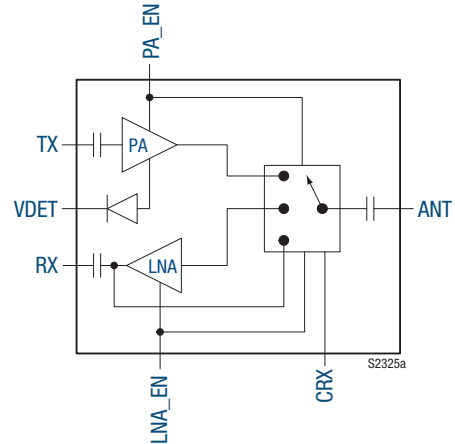
- 802.11ac networking and personal computing systems
- PC cards, PCMCIA cards, mini-cards, and half mini-cards
- WLAN-enabled wireless video systems

## Features

- Integrated high-performance 5 GHz PA, LNA with bypass, and T/R switch
- Fully-matched input and output
- Integrated power detector and directional coupler
- Transmit gain: 27 dB
- Receive gain: 12 dB
- Output power: +19 dBm @ 1.8% EVM, HT80, MCS9, 5 V/4.2 V
- Output power: +20 dBm @ 3% EVM, HT40, MCS7, 5 V/4.2 V
- Small QFN (16-pin, 3 x 3 mm) package (MSL3, 260 °C per JEDEC J-STD-020)



Skyworks Green™ products are compliant with all applicable legislation and are halogen-free. For additional information, refer to *Skyworks Definition of Green™*, document number SQ04-0074.



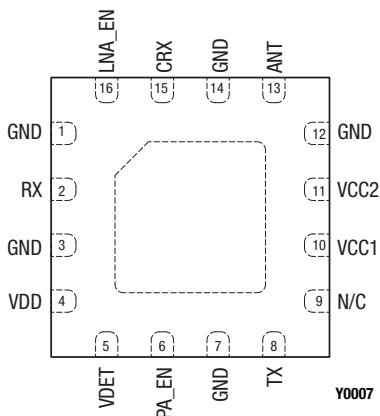
**Figure 1. SKY85712-21 Block Diagram**

## Description

The SKY85712-21 is a highly integrated, 5 GHz front-end module (FEM) incorporating a 5 GHz single-pole, double-throw (SPDT) transmit/receive (T/R) switch, a 5 GHz low-noise amplifier (LNA) with bypass, and a 5 GHz power amplifier (PA) intended for mobile/portable 802.11ac applications and systems.

The LNA and PA disable functions ensure low leakage current in off mode. An integrated power detector is included to provide closed-loop power control within the system.

The device is provided in a compact, 16-pin 3 x 3 mm Quad Flat No-Lead (QFN) package. A functional block diagram is shown in Figure 1. The pin configuration and package are shown in Figure 2. Signal pin assignments and functional pin descriptions are provided in Table 1.



**Figure 2. SKY85712-21 Pinout (Top View)**

**Table 1. SKY85712-21 Signal Descriptions**

Pin	Name	Description	Pin	Name	Description
1	GND	Ground	9	N/C	No connection
2	RX	RF receive output	10	VCC1	PA supply voltage
3	GND	Ground	11	VCC2	PA supply voltage
4	VDD	LNA supply voltage	12	GND	Ground
5	VDET	Detector output voltage	13	ANT	Antenna
6	PA_EN	PA enable	14	GND	Ground
7	GND	Ground	15	CRX	Switch control voltage
8	TX	RF transmit input	16	LNA_EN	LNA enable

### Technical Description

The SKY85712-21 is comprised of a high-performance 5 GHz PA, 5 GHz LNA, and broadband SPDT switch. The device is fully-matched, and requires few external components for optimal performance, which makes it ideal for small portable/mobile applications. The FEM provides up to +27 dB of gain over the frequency band. The LNA supports an enable/disable mode for power savings when not in receive mode and a bypass function for increased receive dynamic range. The PA can be shut off using the PA\_EN signal (pin 6).

The low-loss broadband switch provides the T/R switching function on the SKY85712-21 and has a 1 dB Output Compression Point (OP1dB) of approximately +25 dBm.

### Electrical and Mechanical Specifications

The absolute maximum ratings of the SKY85712-21 are provided in Table 2. The recommended operating conditions are specified in Table 3, and electrical specifications are provided in Table 4.

The state of the SKY85712-21 is determined by the logic provided in Table 5.

**Table 2. SKY85712-21 Absolute Maximum Ratings (Note 1)**

Parameter	Symbol	Minimum	Maximum	Units
Supply voltage	VCC1, VCC2	-0.3	+6.0	V
Supply voltage	VDD		+6.0	V
DC input on control pins (PA_EN, LNA_EN, CRX)	VIN	-0.3	+3.6	V
Input power (50 Ω load)	Pin		+10	dBm
Supply current	Icc		400	mA
Storage temperature	TST	-40	+150	°C
Junction temperature	TJ		170	°C
Electrostatic discharge: Human Body Model (HBM), Class 1C			1000	V

**Note 1:** Exposure to maximum rating conditions for extended periods may reduce device reliability. There is no damage to device with only one parameter set at the limit and all other parameters set at or below their nominal value. Exceeding any of the limits listed here may result in permanent damage to the device.

---

**CAUTION:** Although this device is designed to be as robust as possible, electrostatic discharge (ESD) can damage this device. This device must be protected at all times from ESD. Static charges may easily produce potentials of several kilovolts on the human body or equipment, which can discharge without detection. Industry-standard ESD precautions should be used at all times.

---

**Table 3. SKY85712-21 Recommended Operating Conditions (Note 1)**

Parameter	Symbol	Minimum	Typical	Maximum	Units
Supply voltage	VCC1, VCC2, VDD	3.9	5.0	5.5	V
Control logic:					
High	V <sub>IH</sub>	2.5		3.6	V
Low	V <sub>IL</sub>	0		0.4	V
Operating temperature	T <sub>OP</sub>	-40		+85	°C

**Note 1:** During production test, devices will be tested at 5 V.

**Table 4. SKY85712-21 Electrical Specifications (1 of 2) (Vcc = Vdd = 5 V, Unless Otherwise Specified, Top = 25 °C, Unless Otherwise Noted) (Note 1)**

Parameter	Symbol	Test Condition	Min	Typical	Max	Units		
Frequency range	f	Main frequency band	5.15		5.85	GHz		
<b>Transmit Mode</b>								
Gain	G		24	27	31	dB		
Gain flatness		Over any 40 MHz bandwidth	-0.5		+0.5	dB		
Output power	P <sub>OUT</sub>	With -45 dB EVM source, Vcc = 5.0 V: MCS9, HT80, 1.8 % DEVM, AT off MCS7, HT40, 3 % DEVM, AT off MCS0, mask compliance	+17 +18 +21	+19 +20 +24		dBm dBm dBm		
		With -45 dB EVM source, Vcc = 4.2 V: MCS9, HT80, 1.8 % DEVM, AT off MCS7, HT40, 3 % DEVM, AT off MCS0, mask compliance		+19 +20 +24		dBm dBm dBm		
Current consumption	I <sub>TOT</sub>	Modulated signal: Idle current, VEN = 0 @ Quiescent @ +19 dBm @ +20 dBm @ +22 dBm		20	35	μA		
				230		mA		
				275		mA		
				300		mA		
				330		mA		
2 <sup>nd</sup> and 3 <sup>rd</sup> harmonics	2fo, 3fo	+22 dBm MCS0			-50	dBm/MHz		
All spurious		+22 dBm OFDM, 6 Mbps		-28	-25	dBm		
Isolation		From ANT to either TX or RX pin		40		dB		
Input return loss	IS11		7	10		dB		
Output return loss	IS22		10	12		dB		
Power detector output:								
						Vcc1 = Vcc2 = VDD = 5.0 V: @ No RF	0.30	V
						@ +19 dBm	0.75	V
						@ +23 dBm	1.05	V
						Vcc1 = Vcc2 = VDD = 4.2 V: @ No RF	0.3	V
						@ +19 dBm	0.7	V
@ +23 dBm	1.0	V						
Power detector output impedance	Z <sub>OUT_DET</sub>	RF output = -30 dBm		700		Ω		
PA enable current	I <sub>ENABLE</sub>			0.5		mA		
Ruggedness	RU	Maximum input power at which PA can survive 10:1 mismatch with no permanent damage.			+10	dBm		

**Table 4. SKY85712-21 Electrical Specifications (2 of 2) (Vcc = Vdd = 5 V Unless Otherwise Specified, Top = 25 °C, Unless Otherwise Noted) (Note 1)**

Parameter	Symbol	Test Condition	Min	Typical	Max	Units
<b>Receive Mode</b>						
Gain	G		9	12	16	dB
1 dB Input compression point	IP1dB	LNA active LNA bypass		-5 +10		dBm dBm
Gain step			19	21	23	dB
Gain flatness		Over any 40 MHz bandwidth	-0.25		+0.25	dB
Noise figure	NF			2.7	3.0	dB
Input return loss	S11	LNA active LNA bypass	6 10			dB dB
Output return loss	S22		5	8		dB
Third order input intercept point	IIP3			+8		dBm
Switching time	tsw	LNA ↔ bypass RX ↔ TX: From 10% ↔ 90% power change of rising or falling edge, state 1			200 400	ns ns
LNA bias current	I <sub>DD</sub>			11	15	mA
LNA enable current					10	μA
CRX enable current					10	μA
Idle current	I <sub>IDLE</sub>	State 1			20	μA
<b>Receive Bypass Mode</b>						
Insertion loss	S21			-9		dB

**Note 1:** Performance is guaranteed only under the conditions listed in this table.

**Table 5. SKY85712-21 Logic**

Mode	State	CRX (J5, Pin 15)	LNA_EN (J5, Pin 16) (Note 1)	PA_EN (J5, Pin 6) (Note 2)
All off (switch in TX mode)	1	0	0	0
WLAN receive	2	1	1	0
WLAN receive bypass mode	3	1	0	0
WLAN transmit	4	0	0	1

**Note 1:** LNA is on while LNA\_EN is high. LNA is off and in bypass mode when LNA\_EN is low.

**Note 2:** PA\_EN controls only the PA. It does not control the switch.

## Evaluation Board Description

The SKY85712-21 Evaluation Board is used to test the performance of the SKY85712-21 FEM. A suggested application schematic diagram is shown in Figure 3. A photograph of the Evaluation Board is shown in Figure 4. Table 6 provides the Bill of Materials (BOM) list for Evaluation Board components.

## Evaluation Board Setup Procedure

1. Connect system ground to pin 2 of the J4 header and to pin 2 of the J5 header.
2. Apply 5 V to pins 1 and 3 of the J4 header and to pin 3 of the J5 header.
3. Select a path according to the information in Table 5:  
L = 0 V  
H = 3.3 V
4. Connect a DMM to pin 12 of the J5 header to monitor the power detector voltage.

## Circuit Design Considerations

The following design considerations are general in nature and must be followed regardless of final use or configuration:

- Paths to ground should be made as short as possible.
- The ground pad of the SKY85712-21 has special electrical and thermal grounding requirements. This pad is the main thermal conduit for heat dissipation. Because the circuit board acts as the heat sink, it must shunt as much heat as possible from the device.

Therefore, design the connection to the ground pad to dissipate the maximum wattage produced by the circuit board. Multiple vias to the grounding layer are required.

**NOTE:** A poor connection between the ground pad and ground increases junction temperature ( $T_J$ ), which reduces the life of the device.

- Place component C7 close to pin 11.
- Place component C6 close to pin 10.
- The ANT port is DC-blocked and does not require a DC blocking capacitor.
- There is no DC present on the RX port. This pin needs to be DC-blocked with a general purpose 4.7 pF capacitor if there is > 2.6 V DC on the trace connecting to the RX port.
- There is no DC present on the TX port. This pin needs to be DC-blocked with a general purpose 4.7 pF capacitor if there is > 3.2 V DC on the trace connecting to the TX port.
- Each VCC pin needs to be individually decoupled as shown in the Evaluation Board schematic. Place C7 close to pin 11. Place C6 close to pin 10.
- VCC1 and VCC2 should not be shorted together at the device pins. Refer to the layout for details.
- The DNI components and 0  $\Omega$  resistors can be eliminated.
- The ANT and LNA OUT trace losses are 0.18 dB. The TX IN trace losses are 0.22 dB.

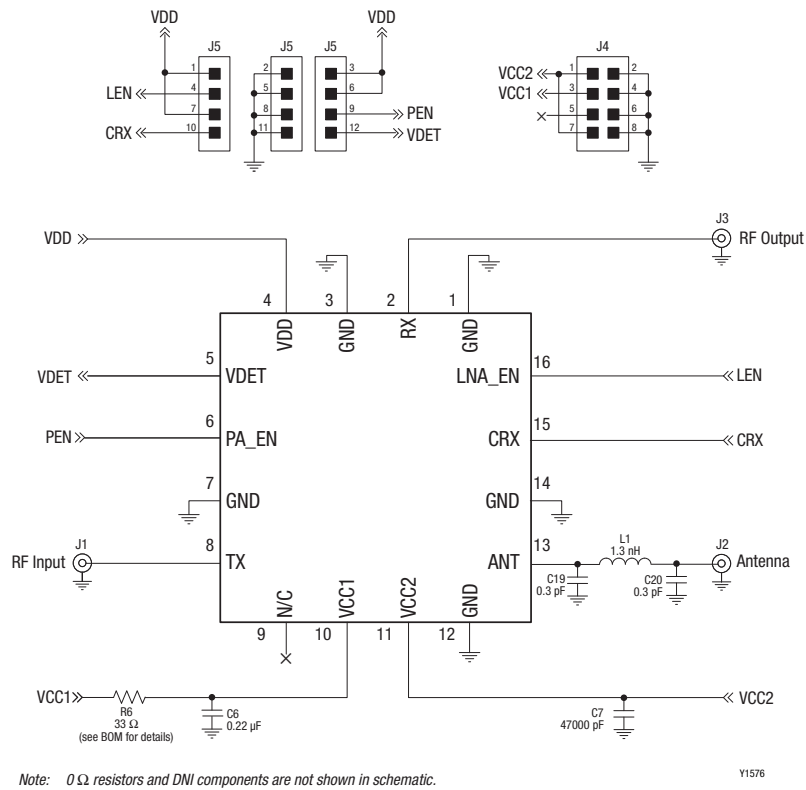


Figure 3. SKY85712-21 Application Schematic

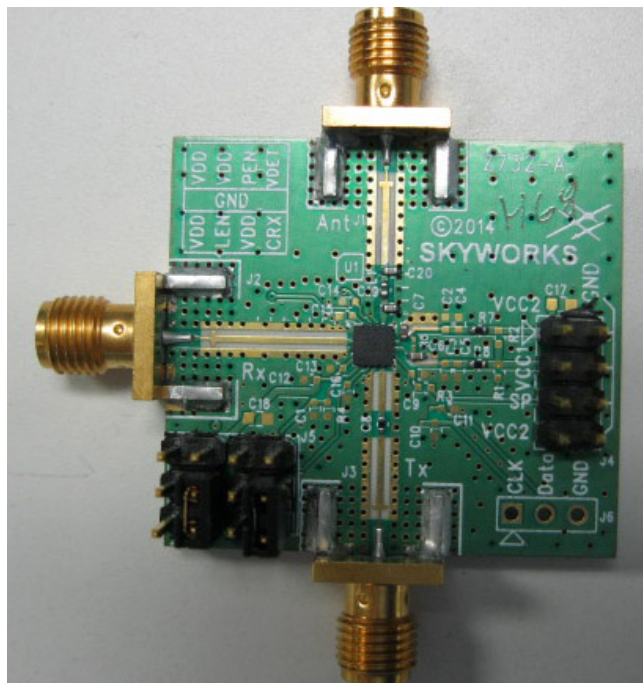


Figure 4. SKY85712-21 Evaluation Board

**Table 6. SKY85712-21 Evaluation Board Bill of Materials**

Component	Value	Size	Vendor	Mfr Part Number	Description
C6	0.22 $\mu$ F	0402	Murata	GRM155R60J224KE01	Multilayer ceramic
C7	47000 pF	0402	Murata	GRM155R71E473KA88	Multilayer ceramic
R6	33 $\Omega$ when VCC = 5 V 0 $\Omega$ when VCC = $\leq$ 4.2 V	0402	Panasonic	ERJ2GEJ330	Thick film chip resistor
C19, C20	0.3 pF	0402	Murata	GJM1555C1HR30BB01	Multilayer ceramic
L1	1.3 nH	0402	Murata	LQG15HN1N3S02D	High-frequency multilayer

**Note:** 0  $\Omega$  resistors and DNI components are not shown in the Bill of Materials.

## Package Dimensions

The PCB layout footprint for the SKY85712-21 is shown in Figure 5. Typical part markings are shown in Figure 6. Package dimensions for the 16-pin QFN are shown in Figure 7, and tape and reel dimensions are provided in Figure 8.

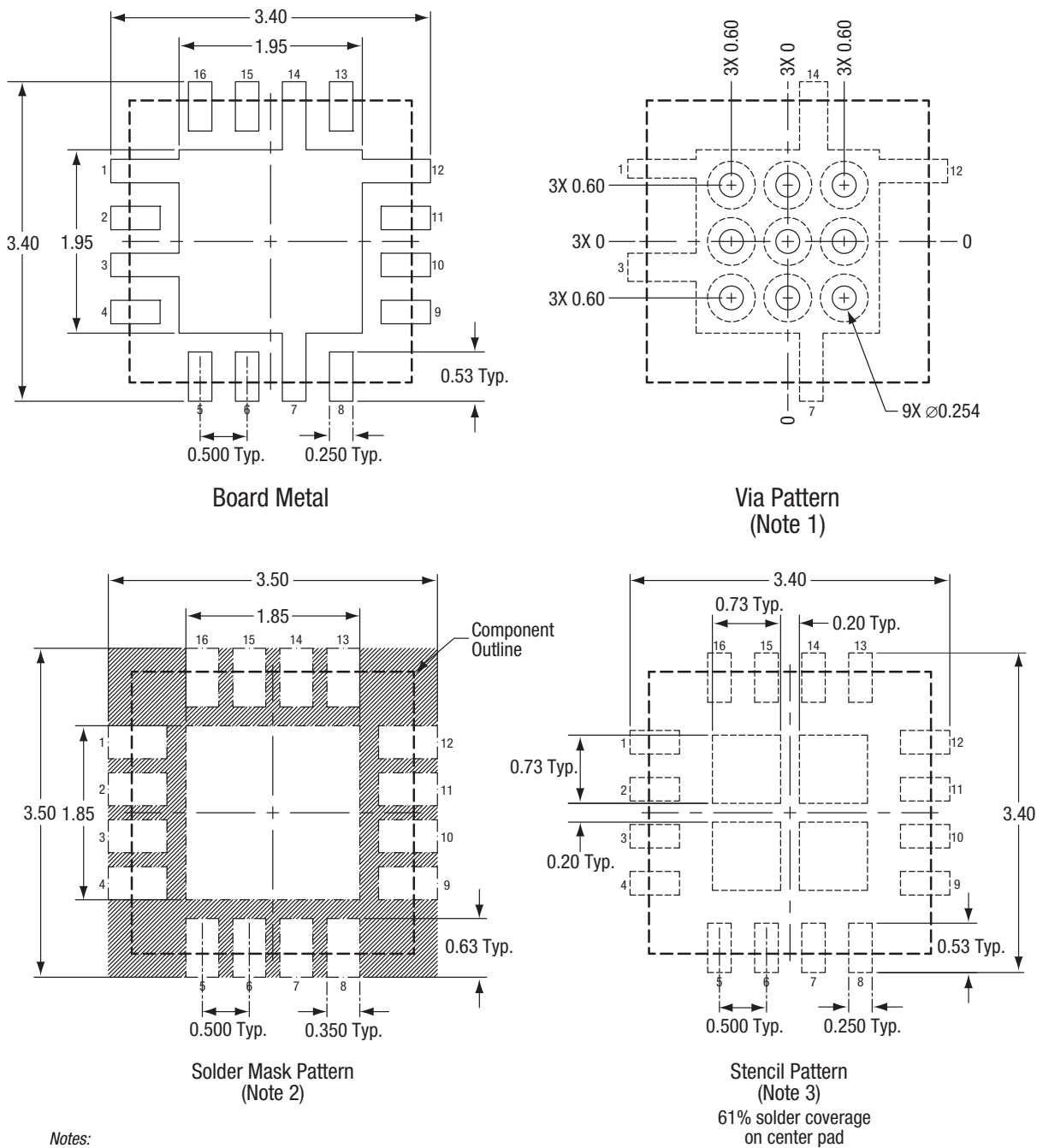
## Package and Handling Information

Since the device package is sensitive to moisture absorption, it is baked and vacuum packed before shipping. Instructions on the shipping container label regarding exposure to moisture after the container seal is broken must be followed. Otherwise, problems related to moisture absorption may occur when the part is subjected to high temperature during solder assembly.

The SKY85712-21 is rated to Moisture Sensitivity Level 3 (MSL3) at 260 °C. It can be used for lead or lead-free soldering. For additional information, refer to the Skyworks Application Note, *Solder Reflow Information*, document number 200164.

Care must be taken when attaching this product, whether it is done manually or in a production solder reflow environment. Production quantities of this product are shipped in a standard tape and reel format.





Notes:

1. Via hole recommendations:  
0.025 mm Cu via wall plating (minimum), solder mask on the far side should tent or plug via holes.
2. Solder mask recommendations:  
Contact board fabricator for recommended solder mask offset and tolerance.
3. Stencil recommendations:  
0.125 mm stencil thickness, laser cut apertures, trapezoidal walls and rounded corners offer better paste release.
4. Dimensions and tolerances according to ASME Y14.5M-1994.
5. Unless specified, dimensions are symmetrical about center lines.
6. All dimensions are in millimeters.

S3179

**Figure 5. SKY85712-21 PCB Layout Footprint (Top View)**

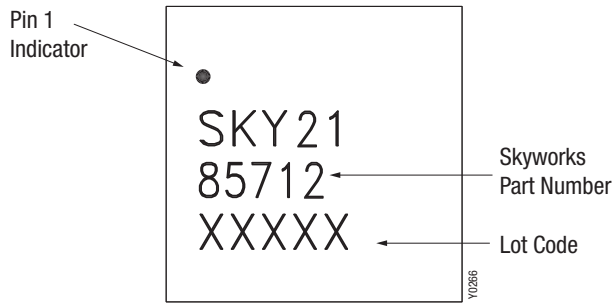
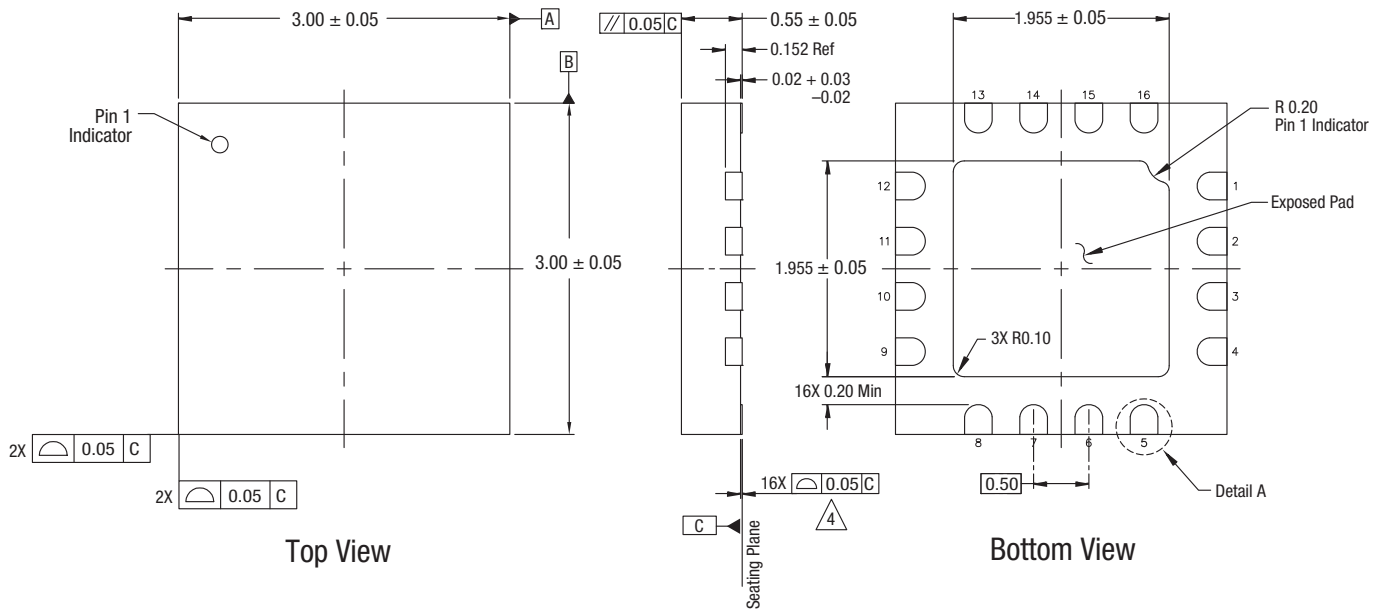


Figure 6. Typical Part Markings (Top View)

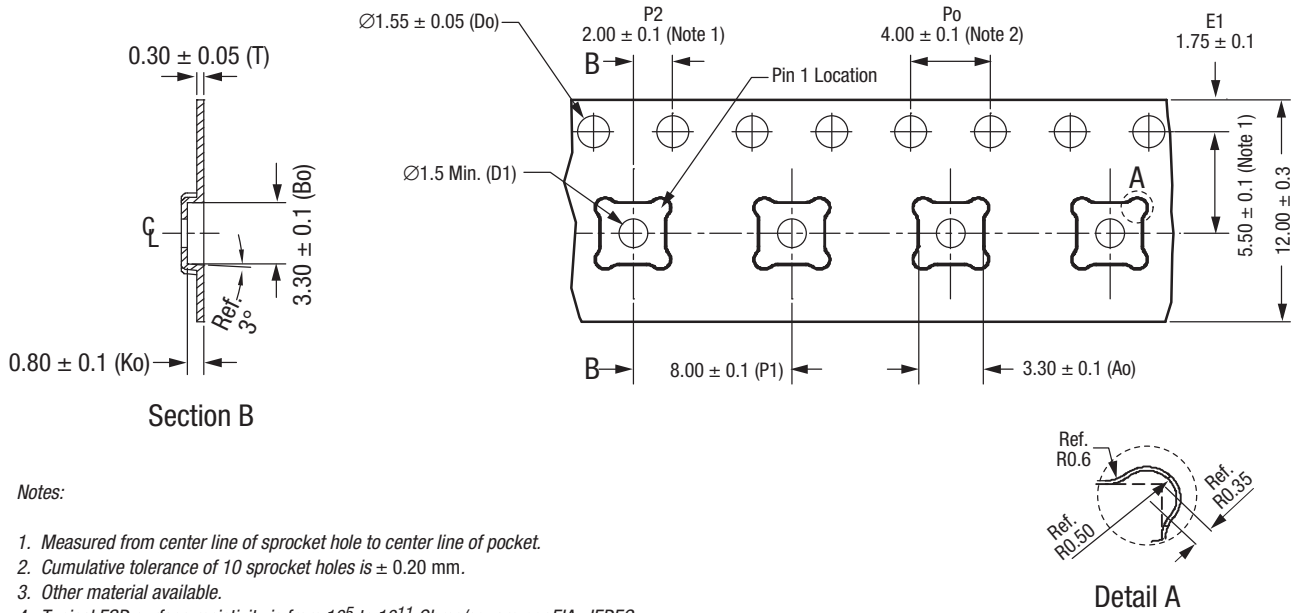


NOTES:

1. All measurements are in millimeters.
2. Dimensioning and tolerancing according to ASME Y14.5M-1994.
3. Unless otherwise specified, the following values apply:  
 Decimal Tolerance:                      Angular Tolerance:  
 X.X (1 place) ± 0.1 mm                      ± 0.5°  
 X.XX (2 places) ± 0.05 mm  
 X.XXX (3 places) ± 0.025 mm
4. Coplanarity applies to the terminals as well as other bottom surface metallization.
5. Dimension applies to metallized terminal. If terminal tip has a radius, dimension should not be measured in that radius area.
6. Unless specified, dimensions are symmetrical about center lines.

Y0267

Figure 7. SKY85712-21 Package Dimensions



Notes:

1. Measured from center line of sprocket hole to center line of pocket.
2. Cumulative tolerance of 10 sprocket holes is  $\pm 0.20$  mm.
3. Other material available.
4. Typical ESD surface resistivity is from  $10^5$  to  $10^{11}$  Ohms/square per EIA, JEDEC tape and reel specification.
5. All measurements are in millimeters.

S2615

Figure 8. SKY85712-21 Tape and Reel Dimensions

## Ordering Information

Model Name	Manufacturing Part Number	Evaluation Board Part Number
SKY85712-21: 5 GHz WLAN Front-End Module	SKY85712-21	SKY85712-EK1

Copyright © 2013-2015 Skyworks Solutions, Inc. All Rights Reserved.

Information in this document is provided in connection with Skyworks Solutions, Inc. (“Skyworks”) products or services. These materials, including the information contained herein, are provided by Skyworks as a service to its customers and may be used for informational purposes only by the customer. Skyworks assumes no responsibility for errors or omissions in these materials or the information contained herein. Skyworks may change its documentation, products, services, specifications or product descriptions at any time, without notice. Skyworks makes no commitment to update the materials or information and shall have no responsibility whatsoever for conflicts, incompatibilities, or other difficulties arising from any future changes.

No license, whether express, implied, by estoppel or otherwise, is granted to any intellectual property rights by this document. Skyworks assumes no liability for any materials, products or information provided hereunder, including the sale, distribution, reproduction or use of Skyworks products, information or materials, except as may be provided in Skyworks Terms and Conditions of Sale.

THE MATERIALS, PRODUCTS AND INFORMATION ARE PROVIDED “AS IS” WITHOUT WARRANTY OF ANY KIND, WHETHER EXPRESS, IMPLIED, STATUTORY, OR OTHERWISE, INCLUDING FITNESS FOR A PARTICULAR PURPOSE OR USE, MERCHANTABILITY, PERFORMANCE, QUALITY OR NON-INFRINGEMENT OF ANY INTELLECTUAL PROPERTY RIGHT; ALL SUCH WARRANTIES ARE HEREBY EXPRESSLY DISCLAIMED. SKYWORKS DOES NOT WARRANT THE ACCURACY OR COMPLETENESS OF THE INFORMATION, TEXT, GRAPHICS OR OTHER ITEMS CONTAINED WITHIN THESE MATERIALS. SKYWORKS SHALL NOT BE LIABLE FOR ANY DAMAGES, INCLUDING BUT NOT LIMITED TO ANY SPECIAL, INDIRECT, INCIDENTAL, STATUTORY, OR CONSEQUENTIAL DAMAGES, INCLUDING WITHOUT LIMITATION, LOST REVENUES OR LOST PROFITS THAT MAY RESULT FROM THE USE OF THE MATERIALS OR INFORMATION, WHETHER OR NOT THE RECIPIENT OF MATERIALS HAS BEEN ADVISED OF THE POSSIBILITY OF SUCH DAMAGE.

Skyworks products are not intended for use in medical, lifesaving or life-sustaining applications, or other equipment in which the failure of the Skyworks products could lead to personal injury, death, physical or environmental damage. Skyworks customers using or selling Skyworks products for use in such applications do so at their own risk and agree to fully indemnify Skyworks for any damages resulting from such improper use or sale.

Customers are responsible for their products and applications using Skyworks products, which may deviate from published specifications as a result of design defects, errors, or operation of products outside of published parameters or design specifications. Customers should include design and operating safeguards to minimize these and other risks. Skyworks assumes no liability for applications assistance, customer product design, or damage to any equipment resulting from the use of Skyworks products outside of stated published specifications or parameters.

Skyworks and the Skyworks symbol are trademarks or registered trademarks of Skyworks Solutions, Inc., in the United States and other countries. Third-party brands and names are for identification purposes only, and are the property of their respective owners. Additional information, including relevant terms and conditions, posted at [www.skyworksinc.com](http://www.skyworksinc.com), are incorporated by reference.

## Данный компонент на территории Российской Федерации

### Вы можете приобрести в компании MosChip.

Для оперативного оформления запроса Вам необходимо перейти по данной ссылке:

<http://moschip.ru/get-element>

Вы можете разместить у нас заказ для любого Вашего проекта, будь то серийное производство или разработка единичного прибора.

В нашем ассортименте представлены ведущие мировые производители активных и пассивных электронных компонентов.

Нашей специализацией является поставка электронной компонентной базы двойного назначения, продукции таких производителей как XILINX, Intel (ex.ALTERA), Vicor, Microchip, Texas Instruments, Analog Devices, Mini-Circuits, Amphenol, Glenair.

Сотрудничество с глобальными дистрибьюторами электронных компонентов, предоставляет возможность заказывать и получать с международных складов практически любой перечень компонентов в оптимальные для Вас сроки.

На всех этапах разработки и производства наши партнеры могут получить квалифицированную поддержку опытных инженеров.

Система менеджмента качества компании отвечает требованиям в соответствии с ГОСТ Р ИСО 9001, ГОСТ РВ 0015-002 и ЭС РД 009

### Офис по работе с юридическими лицами:

105318, г.Москва, ул.Щербаковская д.3, офис 1107, 1118, ДЦ «Щербаковский»

Телефон: +7 495 668-12-70 (многоканальный)

Факс: +7 495 668-12-70 (доб.304)

E-mail: [info@moschip.ru](mailto:info@moschip.ru)

Skype отдела продаж:

moschip.ru

moschip.ru\_4

moschip.ru\_6

moschip.ru\_9