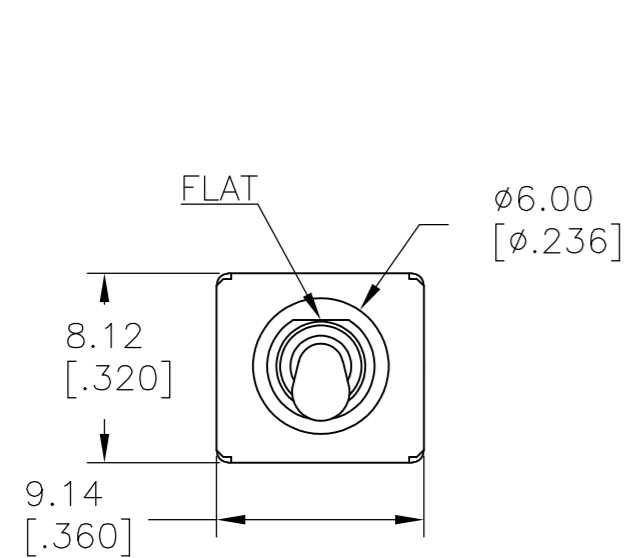
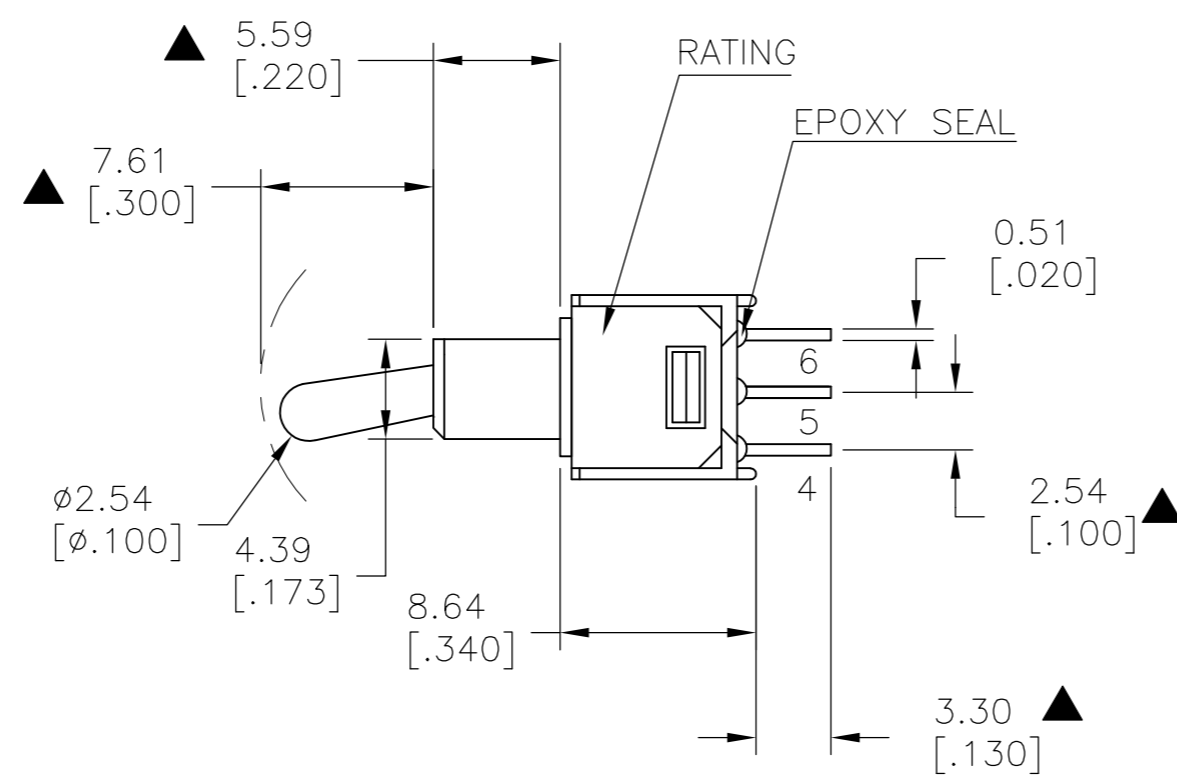


THIS DRAWING IS UNPUBLISHED. RELEASED FOR PUBLICATION  
 © COPYRIGHT - By - ALL RIGHTS RESERVED.

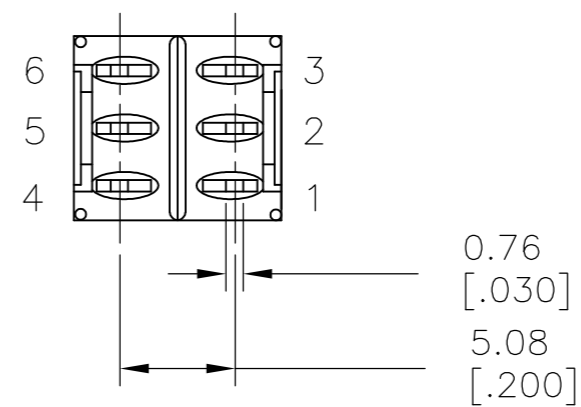
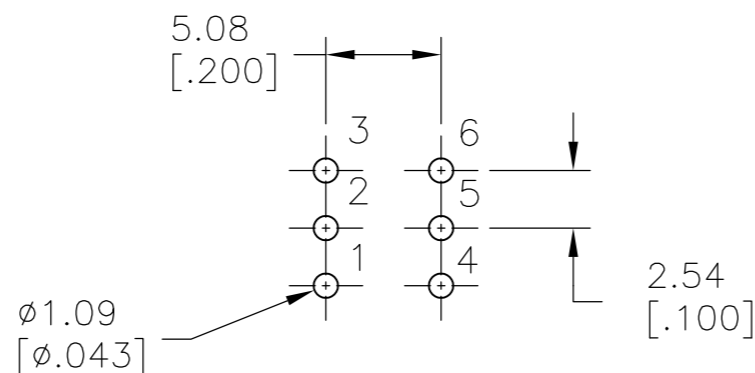
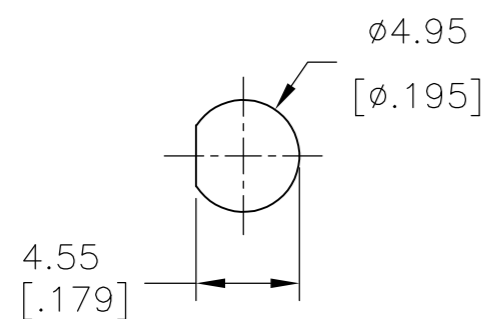
LOC		DIST		REVISIONS			
P	LTR	DESCRIPTION	DATE	DWN	APVD		
	A	NEW DRAWING PER ECO-14-009318	11JUL2014	NK	RH		



PANEL MOUNTING



P.C. MOUNTING



MODEL NO.	POS.1	POS.2	POS.3
TMS	ON	NONE	ON
TERM. COMM.	2-3,5-6	N/A	2-1,5-4
SCHEMATIC			

SWITCH FUNCTION

LAYOUT FOR PN 2267078-8

SPECIFICATIONS

- MECHANICAL LIFE: 30,000 MAKE-AND-BREAK CYCLES.
- CONTACT RESISTANCE: 20 mΩ MAX. INITIAL @ 2-4VDC  
100mA FOR BOTH SILVER AND GOLD PLATED CONTACTS.
- CONTACT RATING: GOLD PLATED: 0.4VA MAX @ 20 V MAX (AC OR DC)
- INSULATION RESISTANCE: 1,000 MΩ MIN.
- DIELECTRIC STRENGTH: 1,000 Vrms MIN.@SEA LEVEL.
- OPERATING TEMPERATURE: -30°C TO 85°C.

CONTACT MATERIAL	FUNCTION	TERMINATION	MOUNT ANGLE	POLES	THROWS	DESCRIPTIVE PN	TE PN
GOLD	ON-ON	PC THROUGH HOLE	RIGHT ANGLE	2	2	TMD1T5B2M6RE	2267078-9
GOLD	ON-ON	PC THROUGH HOLE	VERTICAL	2	2	TMD1T5B2M2RE	2267078-8
GOLD	ON-OFF-ON	PC THROUGH HOLE	VERTICAL RIGHT ANGLE	1	2	TMS3T5B2M7RE	2267078-7
GOLD	ON-OFF-ON	PC THROUGH HOLE	RIGHT ANGLE	1	2	TMS3T5B2M6RE	2267078-6
GOLD	ON-OFF-ON	PC THROUGH HOLE	VERTICAL	1	2	TMS3T5B2M2RE	2267078-5
GOLD	ON-ON	PC THROUGH HOLE	VERTICAL RIGHT ANGLE	1	2	TMS1T5B2M7RE	2267078-4
GOLD	ON-ON	PC THROUGH HOLE	RIGHT ANGLE	1	2	TMS1T5B2M6RE	2267078-3
GOLD	ON-ON	PC THROUGH HOLE	VERTICAL	1	2	TMS1T5B2M2RE	2267078-2
GOLD	OFF-ON	PC THROUGH HOLE	VERTICAL	1	2	TMS6T5B2M2RE	2267078-1

THIS DRAWING IS A CONTROLLED DOCUMENT.

DWN	11JUL2014	NAGALAKSHMI K
CHK	11JUL2014	HILL, RYAN
APVD	11JUL2014	HILL, RYAN
PRODUCT SPEC		
APPLICATION SPEC		
WEIGHT	-	
CUSTOMER DRAWING		

**TE** TE Connectivity

SUBMINIATURE TOGGLE SWITCH

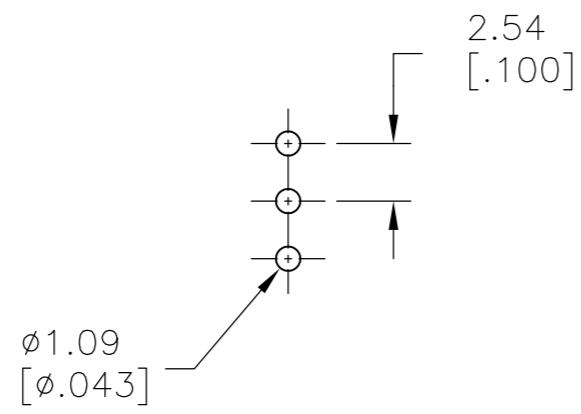
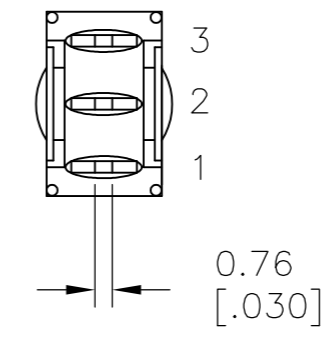
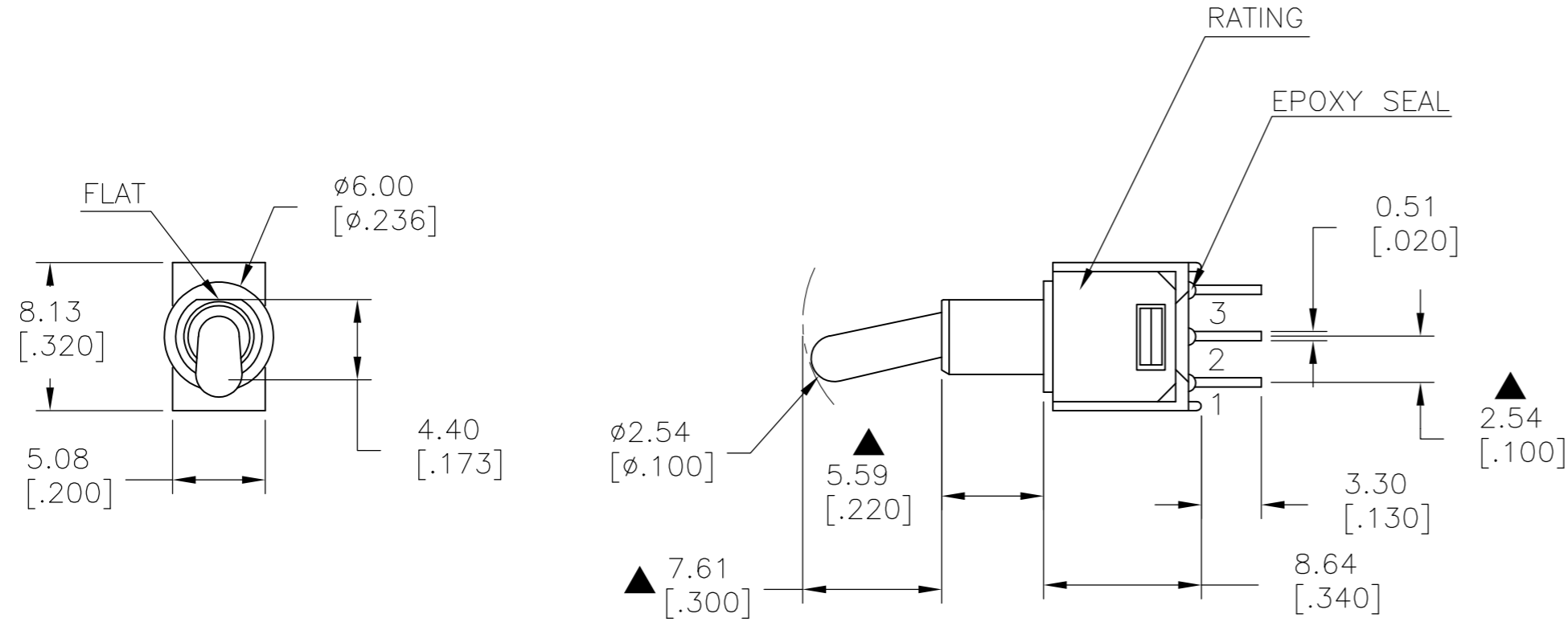
SIZE	A2	CAGE CODE	00779	DRAWING NO	C=2267078	RESTRICTED TO	-
SCALE	3:1	SHEET	1 of 9	REV	A		

THIS DRAWING IS UNPUBLISHED. RELEASED FOR PUBLICATION  
 © COPYRIGHT - By - ALL RIGHTS RESERVED.

LOC		DIST		REVISIONS			
P	LTR	DESCRIPTION	DATE	DWN	APVD		
-	-	SEE SHEET 1	-	-	-		

MODEL NO.	POS.1	POS.2	POS.3
TMS	ON	NONE	ON
TERM. COMM.	2-3	OPEN	2-1
SCHEMATIC			

SWITCH FUNCTION



P.C. MOUNTING

LAYOUT FOR PN 2267078-2

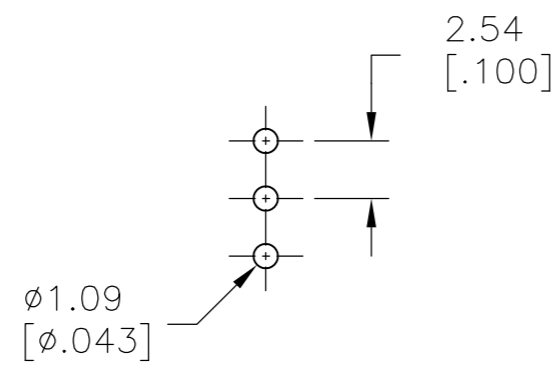
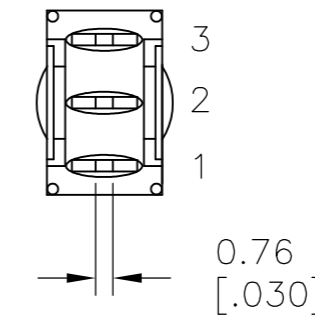
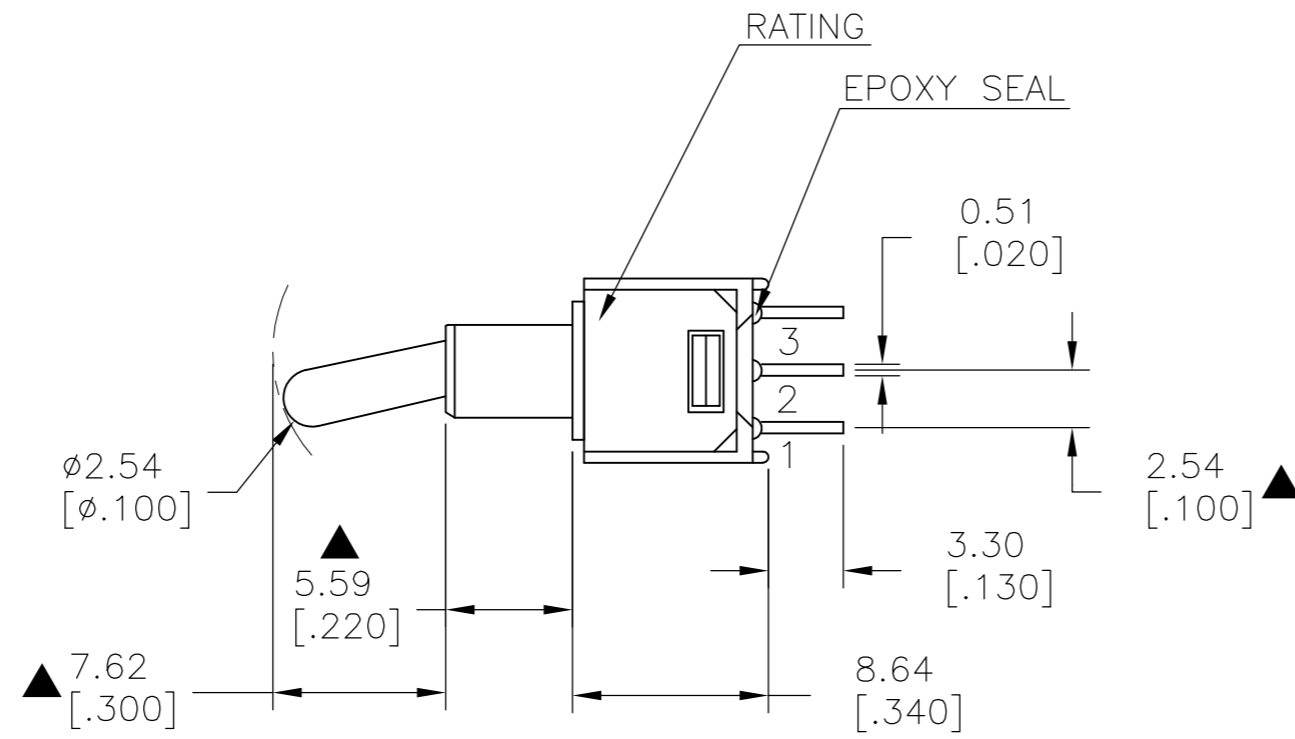
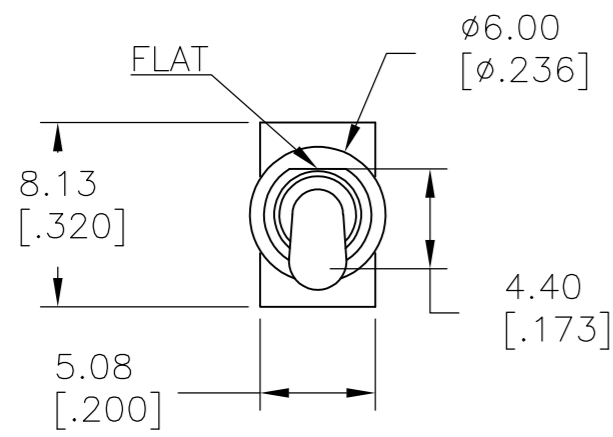
THIS DRAWING IS A CONTROLLED DOCUMENT.		DWN 11JUL2014 NAGALAKSHMI K	TE Connectivity	
DIMENSIONS: mm [INCHES]		CHK 11JUL2014 HILL, RYAN		
TOLERANCES UNLESS OTHERWISE SPECIFIED:		APVD 11JUL2014 HILL, RYAN	NAME	
0 PLC ± -		PRODUCT SPEC	SUBMINIATURE TOGGLE SWITCH	
1 PLC ± 0.38[.015]		APPLICATION SPEC	SIZE	CAGE CODE
2 PLC ± 0.25[.010]		WEIGHT	A2	00779
3 PLC ± -		CUSTOMER DRAWING	SCALE	DRAWING NO
4 PLC ± -			3:1	C=2267078
ANGLES ± 5°			SHEET	RESTRICTED TO
FINISH			2 of 9	-
			REV	A

THIS DRAWING IS UNPUBLISHED. RELEASED FOR PUBLICATION  
 © COPYRIGHT - By - ALL RIGHTS RESERVED.

LOC		DIST		REVISIONS			
P	LTR	DESCRIPTION	DATE	DWN	APVD		
-	-	SEE SHEET 1	-	-	-		

MODEL NO.	POS.1	POS.2	POS.3
TMS	ON	OFF	ON
TERM. COMM.	2-3	OPEN	2-1
SCHEMATIC			

SWITCH FUNCTION



P.C. MOUNTING

LAYOUT FOR PN 2267078-5

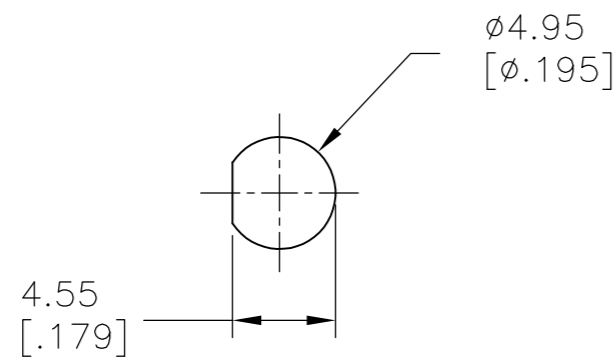
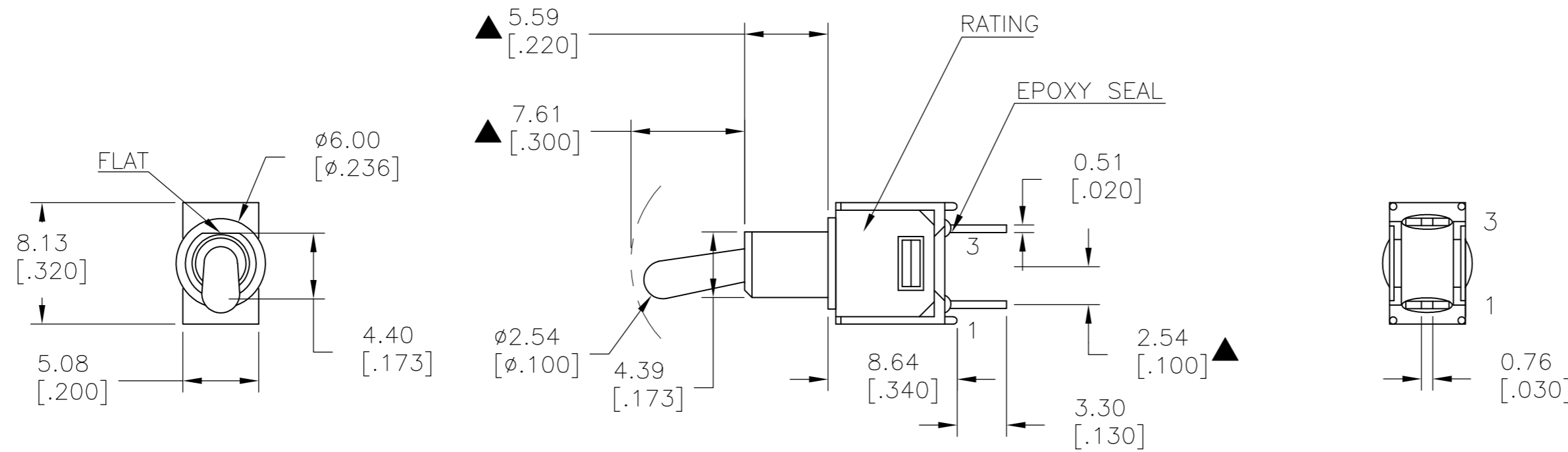
THIS DRAWING IS A CONTROLLED DOCUMENT.		DWN 11JUL2014 NAGALAKSHMI K		
DIMENSIONS: mm [INCHES]		CHK 11JUL2014 HILL, RYAN		
TOLERANCES UNLESS OTHERWISE SPECIFIED:		APVD 11JUL2014 HILL, RYAN	NAME	
0 PLC ± -		PRODUCT SPEC	SUBMINIATURE TOGGLE SWITCH	
1 PLC ± 0.38[.015]		APPLICATION SPEC	SIZE	CAGE CODE
2 PLC ± 0.25[.010]		WEIGHT	A2	00779
3 PLC ± -		CUSTOMER DRAWING	SCALE	DRAWING NO
4 PLC ± -			3:1	C=2267078
ANGLES ± 5°			SHEET	RESTRICTED TO
FINISH			3 of 9	-
			REV	A

THIS DRAWING IS UNPUBLISHED. RELEASED FOR PUBLICATION  
 © COPYRIGHT - By - ALL RIGHTS RESERVED.

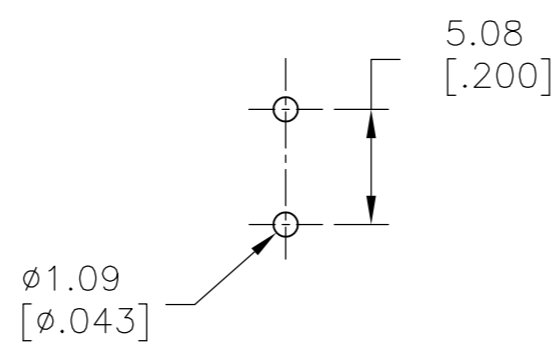
LOC		DIST		REVISIONS			
P	LTR	DESCRIPTION	DATE	DWN	APVD		
-	-	SEE SHEET 1	-	-	-		

MODEL NO.	POS.1	POS.2	POS.3
TMS	OFF	NONE	ON
TERM. COMM.	OPEN	N/A	3-1
SCHEMATIC			

SWITCH FUNCTION



PANEL MOUNTING



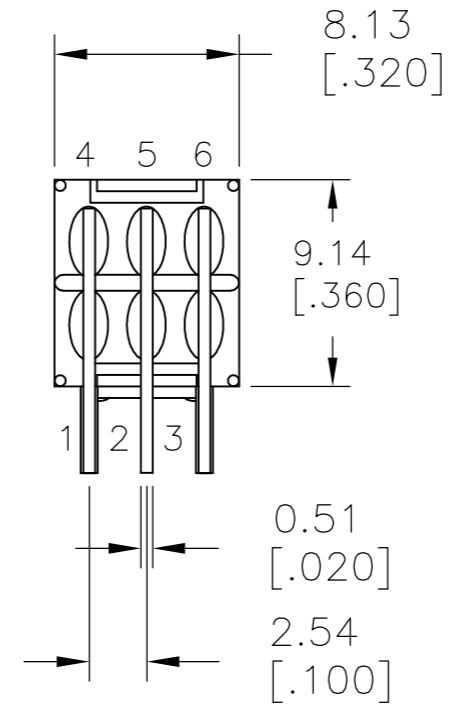
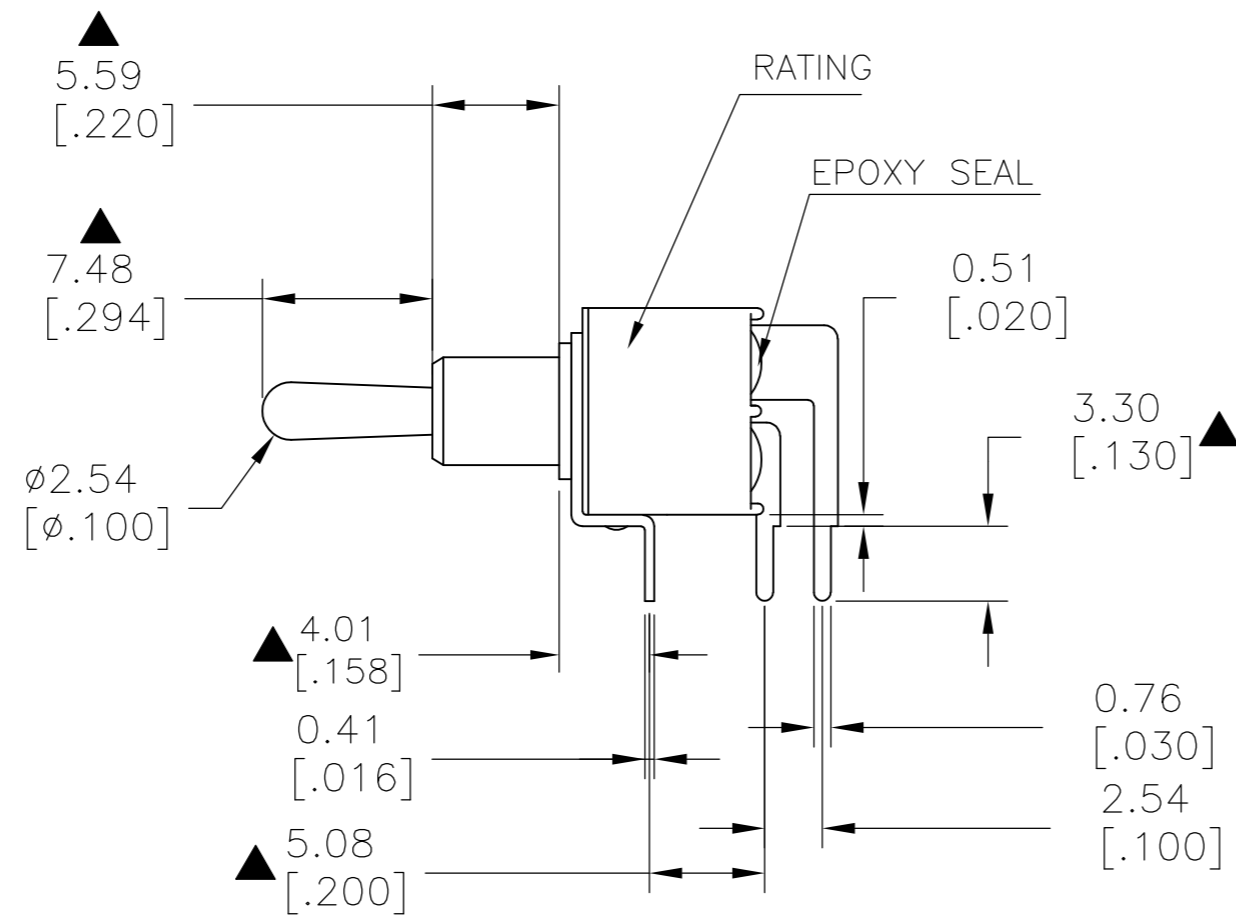
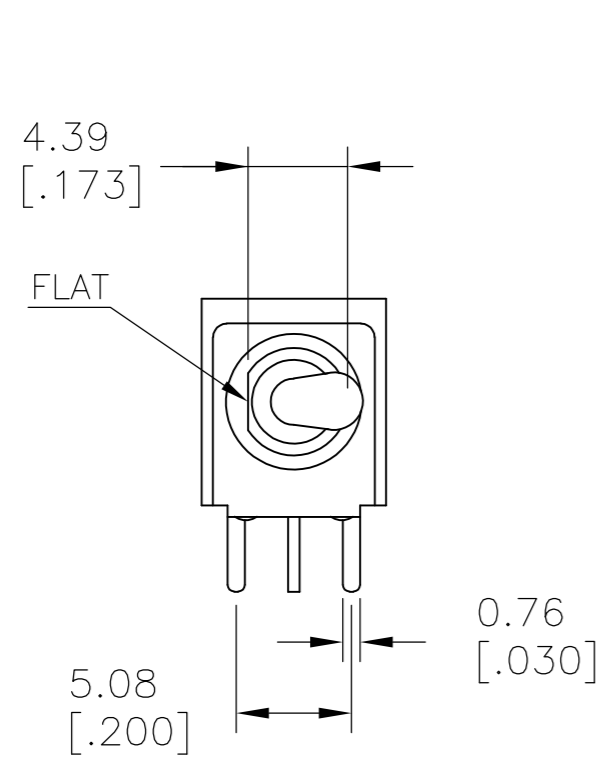
P.C. MOUNTING

LAYOUT FOR PN 2267078-1

THIS DRAWING IS A CONTROLLED DOCUMENT.		DWN 11JUL2014 NAGALAKSHMI K	TE Connectivity	
DIMENSIONS: mm [INCHES]		CHK 11JUL2014 HILL, RYAN		
TOLERANCES UNLESS OTHERWISE SPECIFIED:		APVD 11JUL2014 HILL, RYAN	NAME	
0 PLC $\pm$ -		PRODUCT SPEC	SUBMINIATURE TOGGLE SWITCH	
1 PLC $\pm$ 0.38[.015]		APPLICATION SPEC	SIZE	CAGE CODE
2 PLC $\pm$ 0.25[.010]		WEIGHT	A2	00779
3 PLC $\pm$ -		CUSTOMER DRAWING	DRAWING NO	RESTRICTED TO
4 PLC $\pm$ -		SCALE	C=2267078	-
ANGLES $\pm$ 5°		SHEET	4 of 9	REV
FINISH		REV	A	

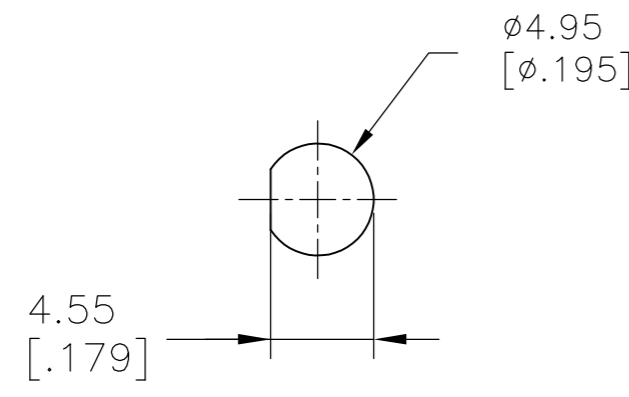
THIS DRAWING IS UNPUBLISHED. RELEASED FOR PUBLICATION  
 © COPYRIGHT - By - ALL RIGHTS RESERVED.

LOC		DIST		REVISIONS			
P	LTR	DESCRIPTION	DATE	DWN	APVD		
-	-	SEE SHEET 1	-	-	-		

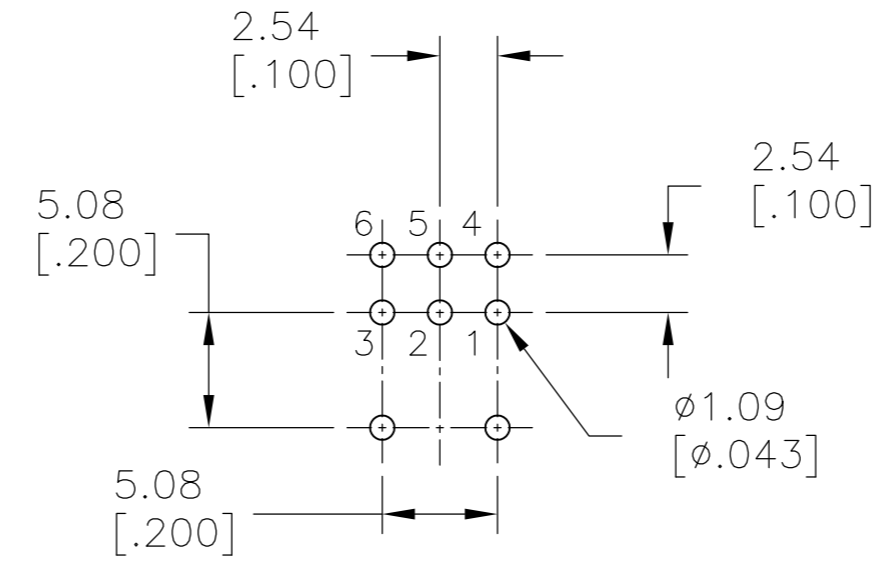


MODEL NO.	POS.1	POS.2	POS.3
TMS	ON	NONE	ON
TERM. COMM.	2-3,5-6	N/A	2-1,5-4
SCHEMATIC		N/A	

SWITCH FUNCTION



PANEL MOUNTING



P.C. MOUNTING

LAYOUT FOR PN 2267078-9

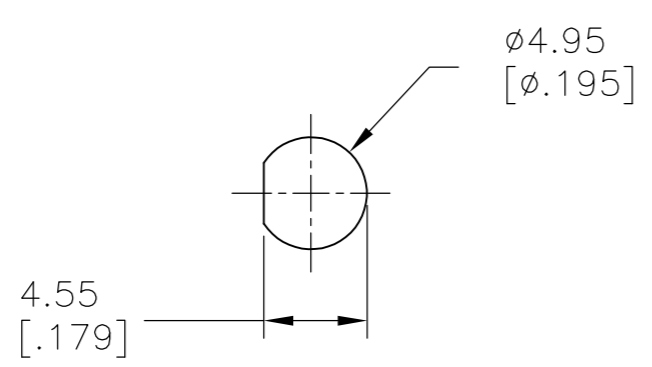
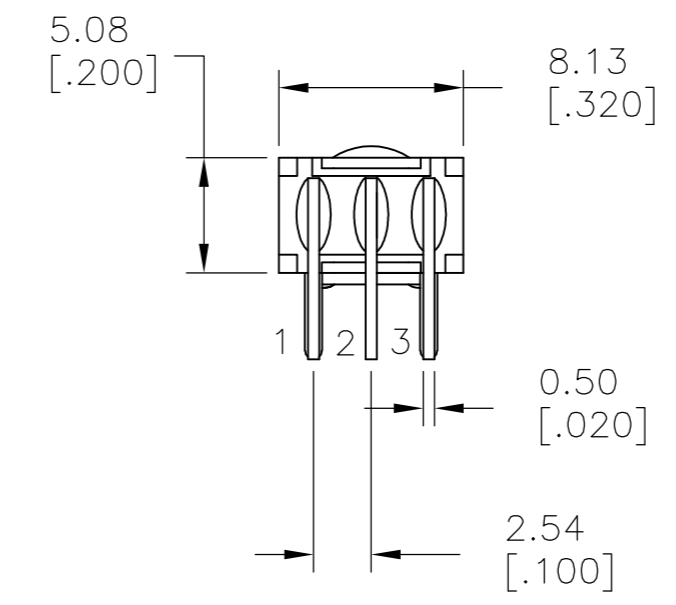
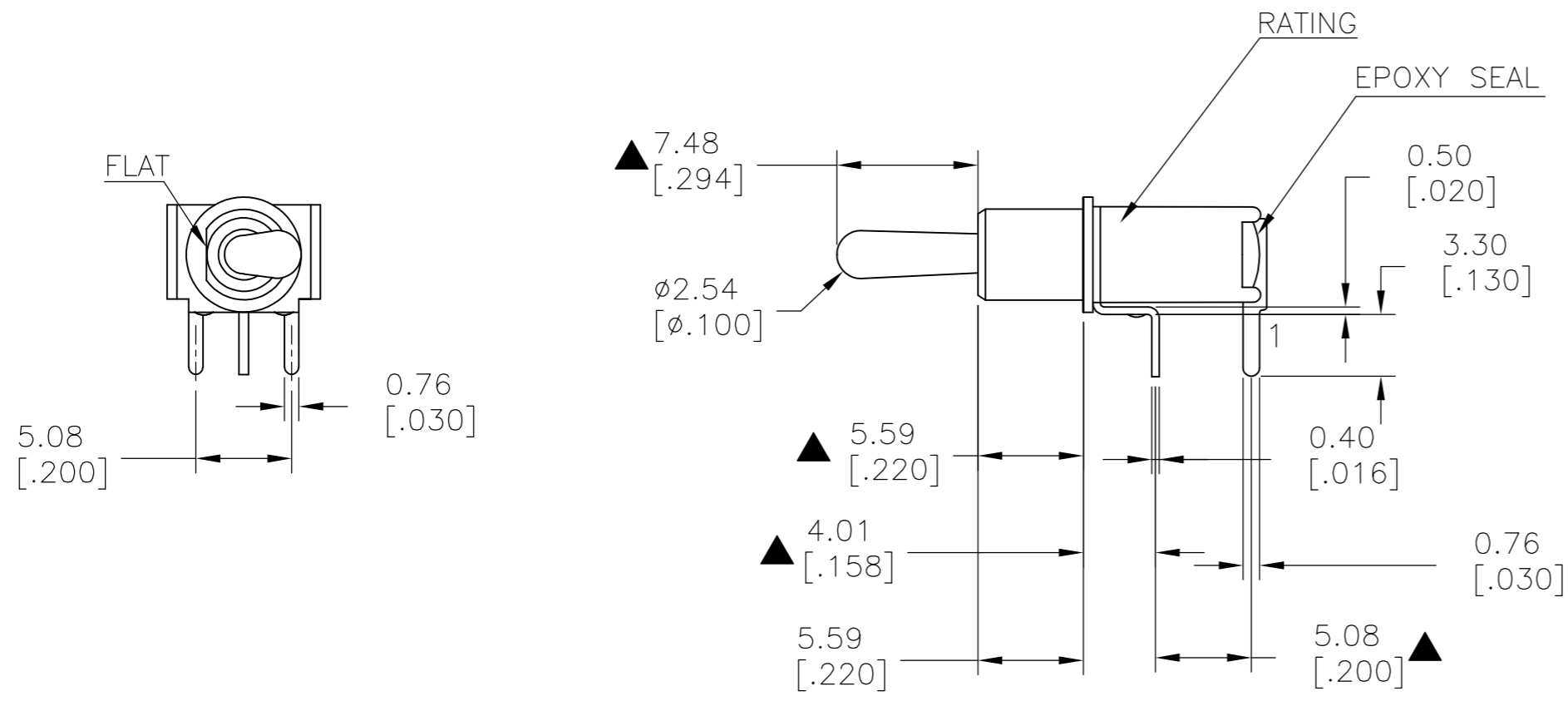
THIS DRAWING IS A CONTROLLED DOCUMENT.		DWN 11JUL2014 NAGALAKSHMI K		
DIMENSIONS: mm [INCHES]		CHK 11JUL2014 HILL, RYAN		
TOLERANCES UNLESS OTHERWISE SPECIFIED:		APVD 11JUL2014 HILL, RYAN	NAME	
0 PLC ± -	1 PLC ± 0.38[.015]	PRODUCT SPEC	SUBMINIATURE TOGGLE SWITCH	
2 PLC ± 0.25[.010]	3 PLC ± -	APPLICATION SPEC	SIZE	CAGE CODE
4 PLC ± -	ANGLES ± 5°	WEIGHT	A2	00779
MATERIAL	FINISH	CUSTOMER DRAWING	DRAWING NO	RESTRICTED TO
-	-	-	C=2267078	-
SCALE 3:1			SHEET 5 of 9	REV A

THIS DRAWING IS UNPUBLISHED. RELEASED FOR PUBLICATION  
 © COPYRIGHT - By - ALL RIGHTS RESERVED.

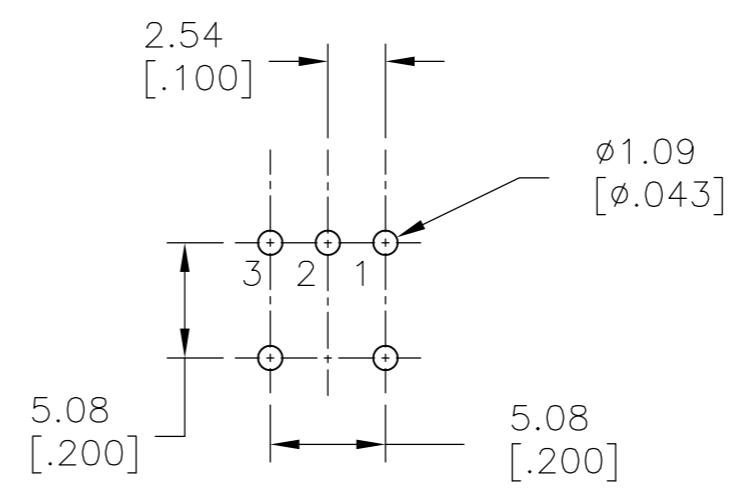
LOC		DIST		REVISIONS			
P	LTR	DESCRIPTION	DATE	DWN	APVD		
-	-	SEE SHEET 1	-	-	-		

MODEL NO.	POS.1	POS.2	POS.3
TMS	ON	NONE	ON
TERM. COMM.	2-3	N/A	2-1
SCHEMATIC			

SWITCH FUNCTION



PANEL MOUNTING



P.C. MOUNTING

LAYOUT FOR PN 2267078-3

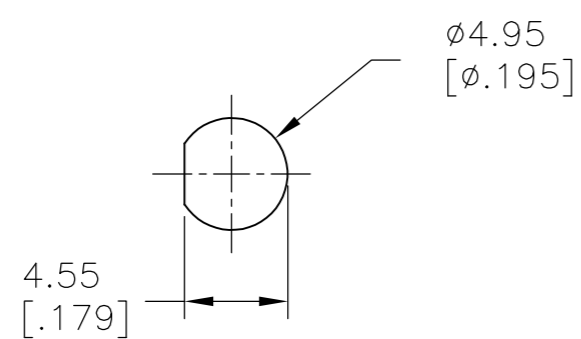
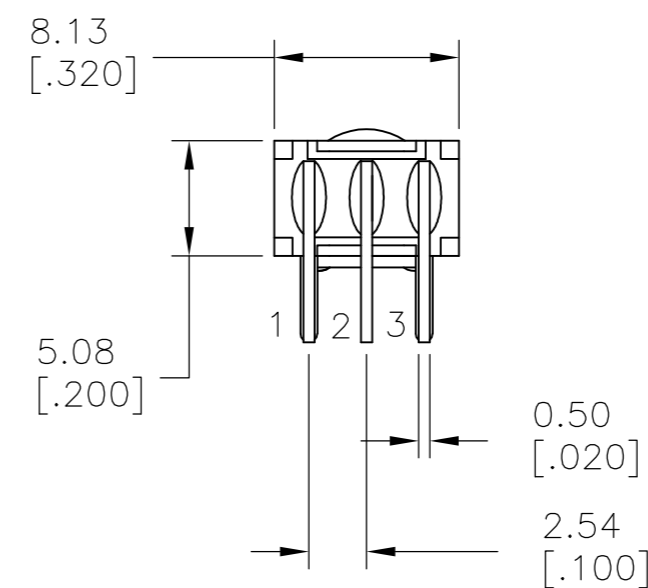
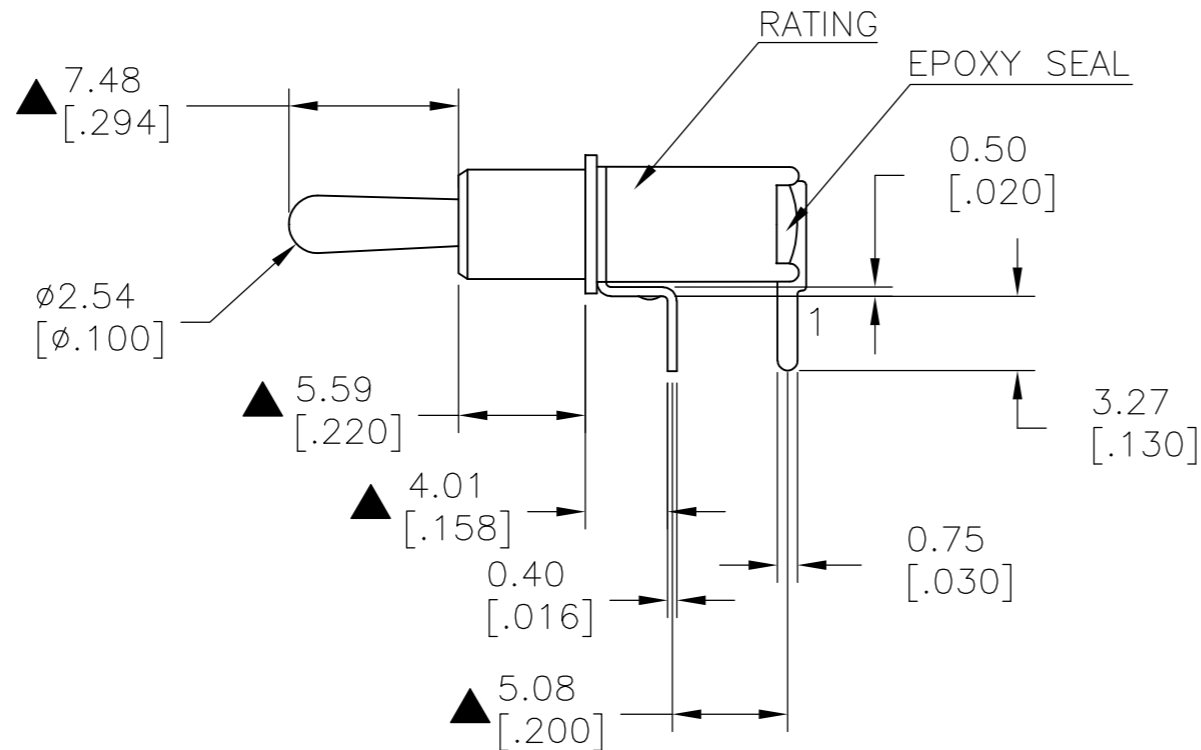
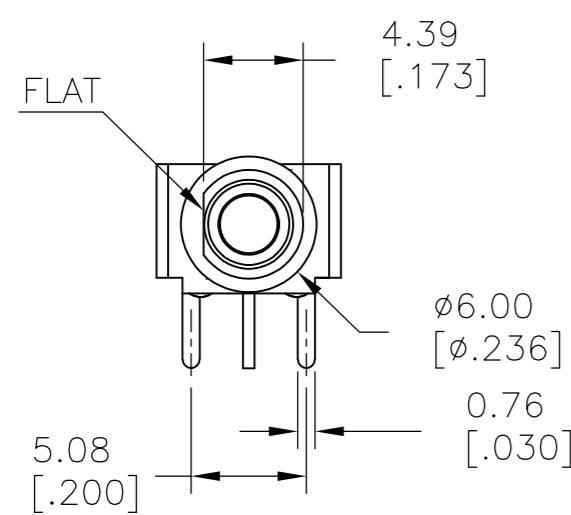
THIS DRAWING IS A CONTROLLED DOCUMENT.		DWN 11JUL2014 NAGALAKSHMI K		
DIMENSIONS: mm [INCHES]		CHK 11JUL2014 HILL, RYAN		
TOLERANCES UNLESS OTHERWISE SPECIFIED:		APVD 11JUL2014 HILL, RYAN	NAME	
0 PLC ± -		PRODUCT SPEC	SUBMINIATURE TOGGLE SWITCH	
1 PLC ± 0.38[.015]		APPLICATION SPEC	SIZE	CAGE CODE
2 PLC ± 0.25[.010]		WEIGHT	A2	00779
3 PLC ± -		CUSTOMER DRAWING	SCALE	DRAWING NO
4 PLC ± -			3:1	C=2267078
ANGLES ± 5°			SHEET	RESTRICTED TO
FINISH			6 of 9	-
			REV	A

THIS DRAWING IS UNPUBLISHED. RELEASED FOR PUBLICATION  
 © COPYRIGHT - By - ALL RIGHTS RESERVED.

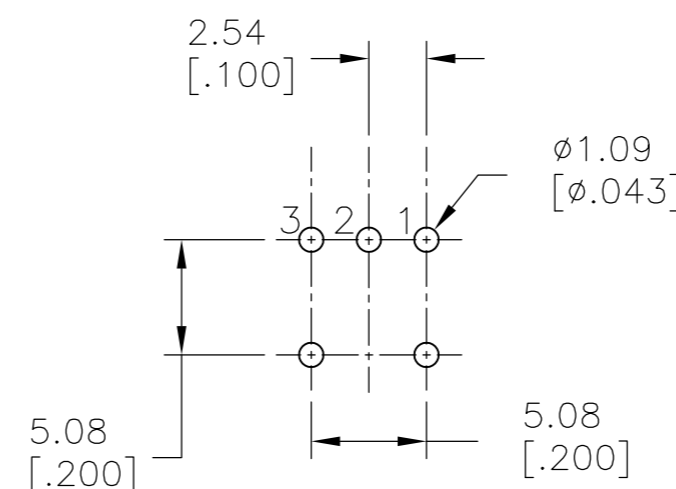
LOC		DIST		REVISIONS			
P	LTR	DESCRIPTION	DATE	DWN	APVD		
-	-	SEE SHEET 1	-	-	-		

MODEL NO.	POS.1	POS.2	POS.3
TMS	ON	NONE	ON
TERM. COMM.	2-3	N/A	2-1
SCHEMATIC			

SWITCH FUNCTION



PANEL MOUNTING



P.C. MOUNTING

LAYOUT FOR PN 2267078-6

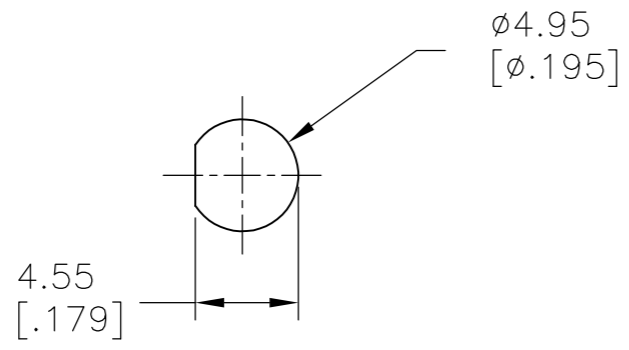
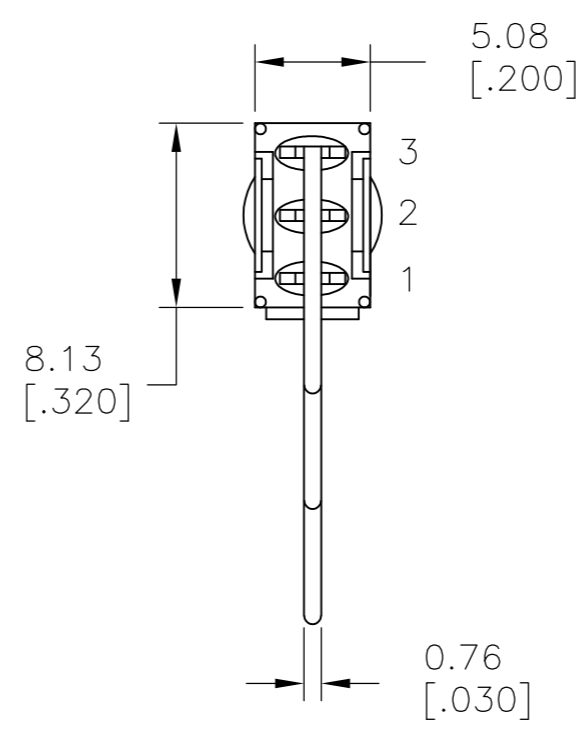
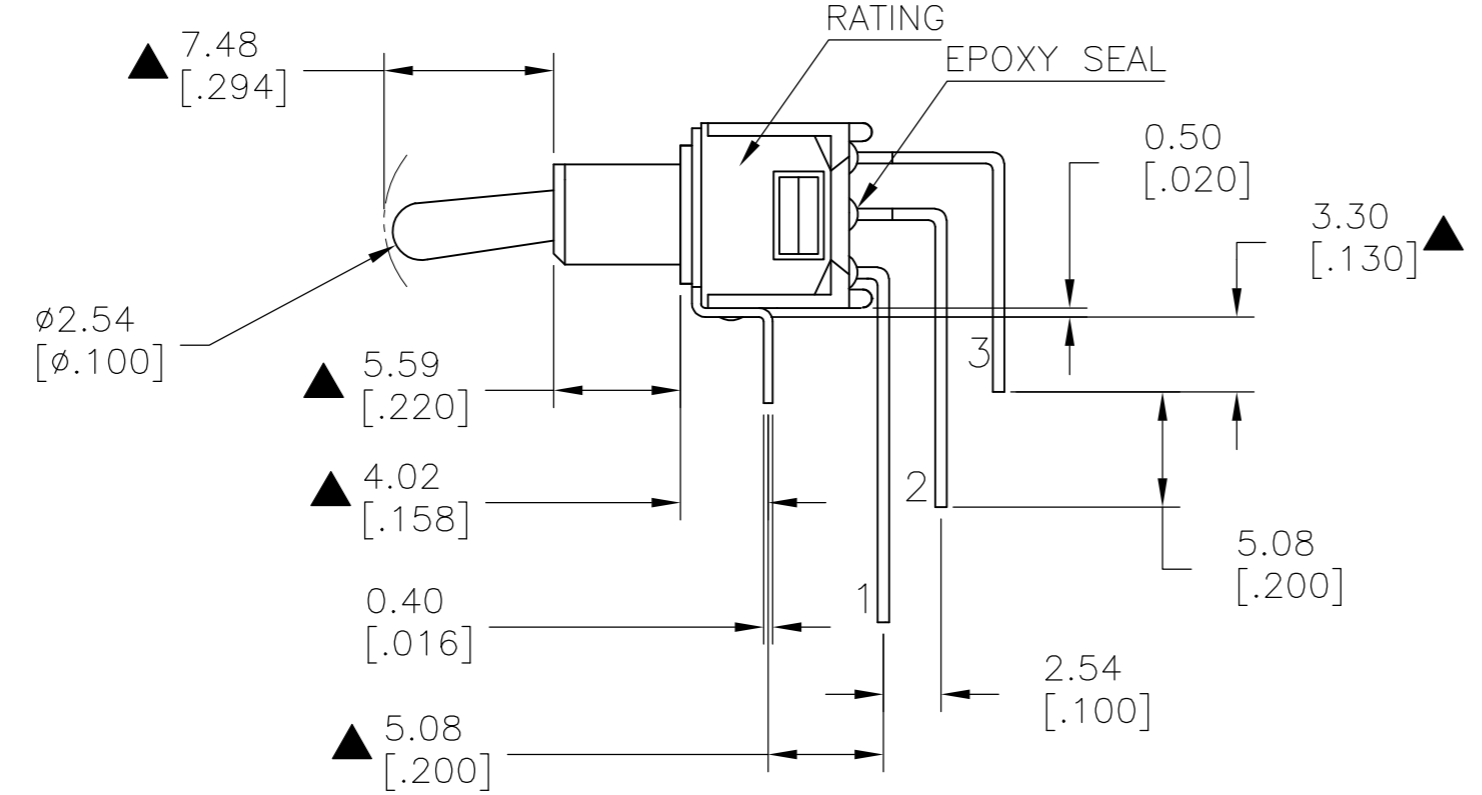
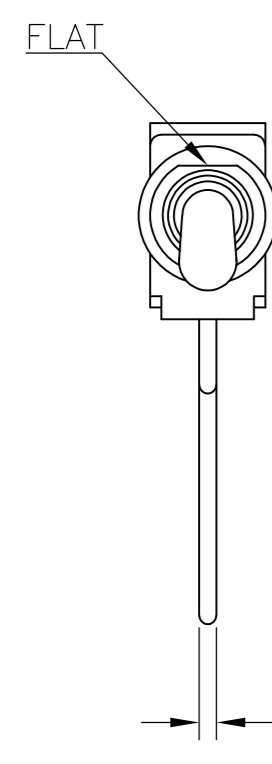
THIS DRAWING IS A CONTROLLED DOCUMENT.		DWN 11JUL2014 NAGALAKSHMI K	TE Connectivity	
DIMENSIONS: mm [INCHES]		CHK 11JUL2014 HILL, RYAN		
TOLERANCES UNLESS OTHERWISE SPECIFIED:		APVD 11JUL2014 HILL, RYAN	NAME	
0 PLC ± -		PRODUCT SPEC	SUBMINIATURE TOGGLE SWITCH	
1 PLC ± 0.38[.015]		APPLICATION SPEC	SIZE	CAGE CODE
2 PLC ± 0.25[.010]		WEIGHT	A2	00779
3 PLC ± -		CUSTOMER DRAWING	SCALE	DRAWING NO
4 PLC ± -			3:1	C=2267078
ANGLES ± 5°			SHEET	RESTRICTED TO
FINISH			7 of 9	-
			REV	A

THIS DRAWING IS UNPUBLISHED. RELEASED FOR PUBLICATION  
 © COPYRIGHT - By - ALL RIGHTS RESERVED.

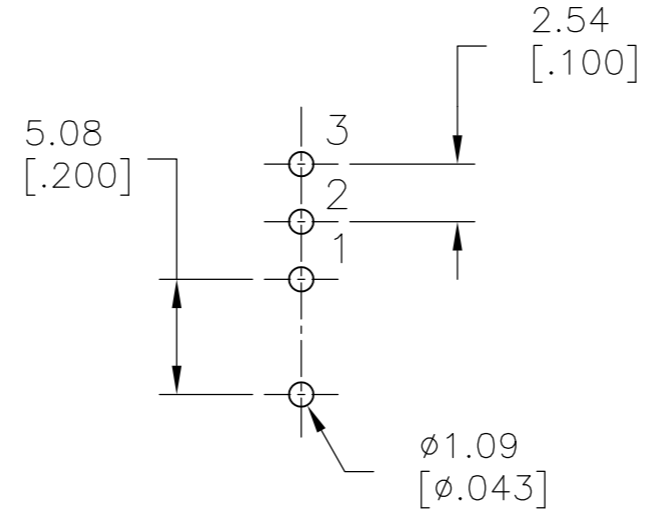
LOC		DIST		REVISIONS			
P	LTR	DESCRIPTION	DATE	DWN	APVD		
-	-	SEE SHEET 1	-	-	-		

MODEL NO.	POS.1	POS.2	POS.3
TMD	ON	NONE	ON
TERM. COMM.	2-3	N/A	2-1
SCHEMATIC			

SWITCH FUNCTION



PANEL MOUNTING



P.C. MOUNTING

LAYOUT FOR PN 2267078-4

THIS DRAWING IS A CONTROLLED DOCUMENT.		DWN NAGALAKSHMI K 11JUL2014	TE Connectivity	
DIMENSIONS: mm [INCHES]		CHK HILL, RYAN 11JUL2014		
TOLERANCES UNLESS OTHERWISE SPECIFIED:		APVD HILL, RYAN 11JUL2014	NAME	
0 PLC ± -		PRODUCT SPEC	SUBMINIATURE TOGGLE SWITCH	
1 PLC ± 0.38[.015]		APPLICATION SPEC	SIZE	CAGE CODE
2 PLC ± 0.25[.010]		WEIGHT	A2	00779
3 PLC ± -		CUSTOMER DRAWING	SCALE	DRAWING NO
4 PLC ± -			3:1	C=2267078
ANGLES ± 5°			SHEET	RESTRICTED TO
FINISH			8 of 9	-
MATERIAL			REV	A





## Данный компонент на территории Российской Федерации

### Вы можете приобрести в компании MosChip.

Для оперативного оформления запроса Вам необходимо перейти по данной ссылке:

<http://moschip.ru/get-element>

Вы можете разместить у нас заказ для любого Вашего проекта, будь то серийное производство или разработка единичного прибора.

В нашем ассортименте представлены ведущие мировые производители активных и пассивных электронных компонентов.

Нашей специализацией является поставка электронной компонентной базы двойного назначения, продукции таких производителей как XILINX, Intel (ex.ALTERA), Vicor, Microchip, Texas Instruments, Analog Devices, Mini-Circuits, Amphenol, Glenair.

Сотрудничество с глобальными дистрибьюторами электронных компонентов, предоставляет возможность заказывать и получать с международных складов практически любой перечень компонентов в оптимальные для Вас сроки.

На всех этапах разработки и производства наши партнеры могут получить квалифицированную поддержку опытных инженеров.

Система менеджмента качества компании отвечает требованиям в соответствии с ГОСТ Р ИСО 9001, ГОСТ РВ 0015-002 и ЭС РД 009

### Офис по работе с юридическими лицами:

105318, г.Москва, ул.Щербаковская д.3, офис 1107, 1118, ДЦ «Щербаковский»

Телефон: +7 495 668-12-70 (многоканальный)

Факс: +7 495 668-12-70 (доб.304)

E-mail: [info@moschip.ru](mailto:info@moschip.ru)

Skype отдела продаж:

moschip.ru

moschip.ru\_4

moschip.ru\_6

moschip.ru\_9