

**PLEASE CHECK WWW.MOLEX.COM FOR LATEST PART INFORMATION**

**Part Number:** [1040460417](#)  
**Status:** **Active**  
**Description:** 2.00mm (.079") Pitch Wire-to-Board Header, Surface Mount, Single Row, Right Angle, 4 Circuits

**Documents:**

[3D Model](#) [Product Specification PS-104046-001 \(PDF\)](#)  
[Drawing \(PDF\)](#) [RoHS Certificate of Compliance \(PDF\)](#)

**Agency Certification**

UL E29179

**General**

Product Family PCB Headers  
 Series [104046](#)  
 Application Wire-to-Board  
 Comments for LED module  
 Product Name N/A

**Physical**

Breakaway No  
 Circuits (Loaded) 4  
 Circuits (maximum) 4  
 Color - Resin Natural  
 Durability (mating cycles max) 30  
 First Mate / Last Break No  
 Flammability 94V-0  
 Glow-Wire Compliant No  
 Keying to Mating Part Yes  
 Lock to Mating Part Yes  
 Mated Height (in) 0.159 In  
 Mated Height (mm) 4.05 mm  
 Material - Metal Phosphor Bronze  
 Material - Plating Mating Tin  
 Material - Plating Termination Tin  
 Number of Rows 1  
 Orientation Right Angle  
 PCB Locator No  
 PCB Retention Yes  
 Packaging Type Embossed Tape on Reel  
 Pitch - Mating Interface (in) 0.079 In  
 Pitch - Mating Interface (mm) 2.00 mm  
 Polarized to Mating Part Yes  
 Temperature Range - Operating -25°C to +135°C  
 Termination Interface: Style Surface Mount

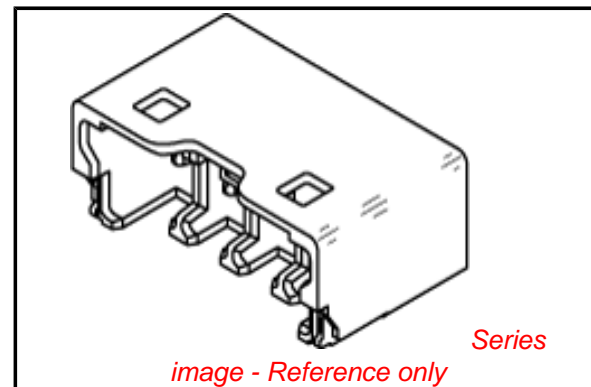
**Electrical**

Current - Maximum per Contact 1A  
 Voltage - Maximum 250V AC (RMS)/DC

**Material Info**

**Reference - Drawing Numbers**

Packaging Specification PK-104046-001  
 Product Specification PS-104046-001  
 Sales Drawing SD-104046-001, SD-104046-002



**EU RoHS**

**ELV and RoHS Compliant**  
**REACH SVHC Contains SVHC: No**  
**Halogen-Free Status**

**China RoHS**



**Need more information on product environmental compliance?**

Email [productcompliance@molex.com](mailto:productcompliance@molex.com)  
 For a multiple part number RoHS Certificate of Compliance, [click here](#)

Please visit the [Contact Us](#) section for any non-product compliance questions.

**Search Parts in this Series**

[104046Series](#)

**Mates With**

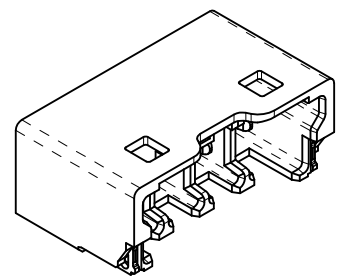
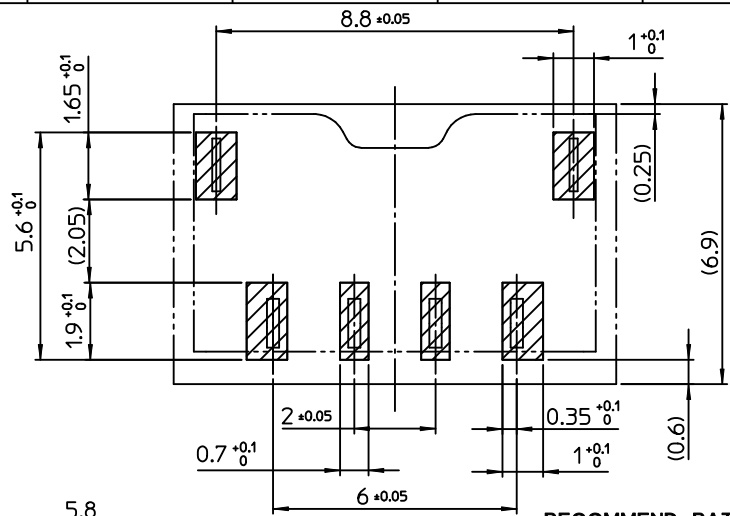
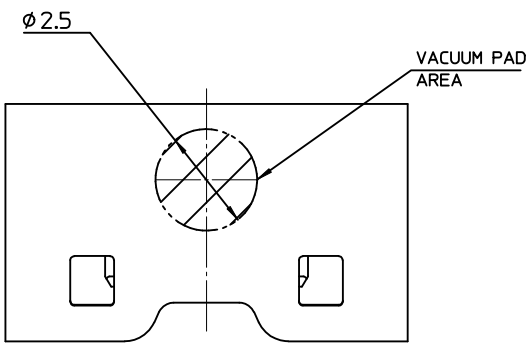
[104047](#) Crimp Housing . [104466](#) Crimp Terminal

This document was generated on 05/18/2010

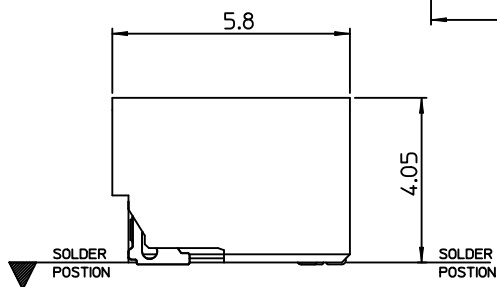
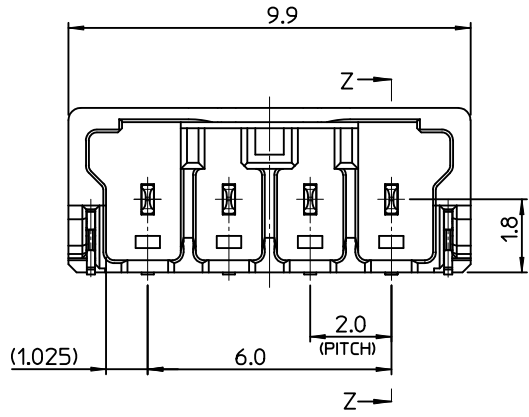
**PLEASE CHECK [WWW.MOLEX.COM](http://WWW.MOLEX.COM) FOR LATEST PART INFORMATION**

10 9 8 7 6 5 4 3 2 1

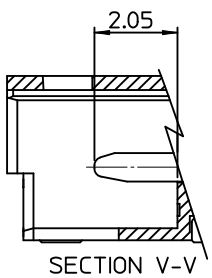
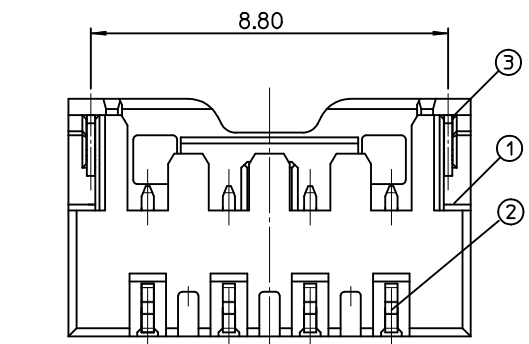
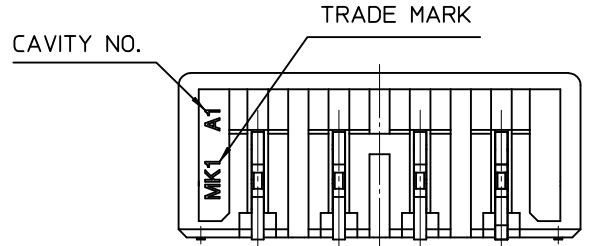
F  
E  
D  
C  
B  
A



ISO METRIC VIEW



RECOMMEND PATTERN [REF.]



SECTION V-V

NOTES.

- MATED WITH : 104047-0490
- MATERIALS  
 HEADER : LCP, GLASS FILLED, UL94V-0  
 COLOR OF NATURAL  
 CONTACT TERMINAL : POSPHOR BRONZE  
 FITTING NAIL : PHOSPHOR BRONZE

- FINISHES  
 CONTACT TERMINAL : PURE-TIN PLATING ON OVERALL.  
 THICKNESS 3.0µm~5.0µm  
 UNDER PLATING Ni OVERALL.  
 THICKNESS 1.25µm~3.75µm  
 FITTING NAIL : PURE-TIN PLATING ON OVERALL.  
 THICKNESS 3.0µm~5.0µm  
 UNDER PLATING Ni OVERALL.  
 THICKNESS 1.25µm~3.75µm
- PRODUCT SPECIFICATION No. : PS-104046-001
- PACKAGING SPECIFICATION No. : PK-104046-001

3	FITTING NAIL	104465-8002	4
2	CONTACT TERMINAL	104464-8002	
1	HEADER	104046-0490	
NO	PART NAME	MATERIAL NO.	CKT

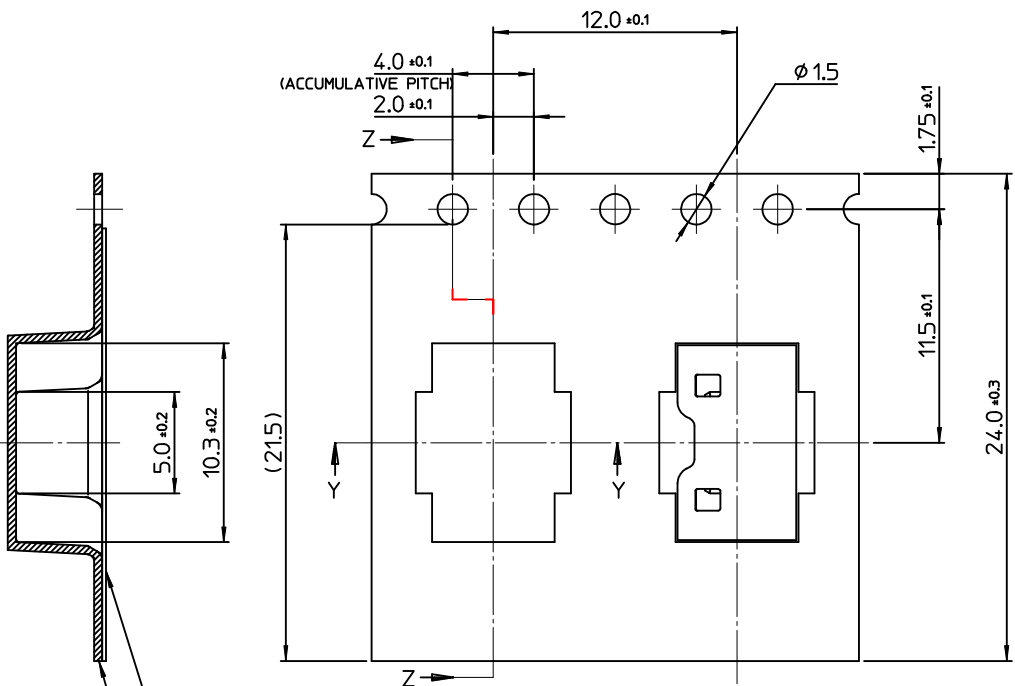
REVISED	EC NO: KOR2010-0143	2010/03/23	QUALITY SYMBOLS
	DRW: JHPARK01	2010/03/25	
B	CHK: WYANG	2010/03/25	DESCRIPTION
	APPR: YUNSIKKIM	2010/03/25	

QUALITY SYMBOLS	▽=0
	▽C=0

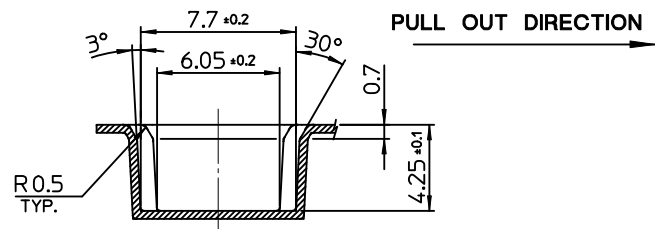
GENERAL TOLERANCES (UNLESS SPECIFIED)		DIMENSION STYLE	
		MM ONLY	
mm	INCH	DRAWN BY	DATE
4 PLACES ± ---	± ---	SK.HAN	2009/03/11
3 PLACES ± ---	± ---	CHECKED BY	DATE
2 PLACES ± 0.20	± ---	WY.YANG	2009/03/11
1 PLACE ± 0.25	± ---	APPROVED BY	DATE
ANGULAR ± 3°		WY.YANG	2009/03/11
DRAFT WHERE APPLICABLE MUST REMAIN WITHIN DIMENSIONS		MATERIAL NO.	
		1040460417	

SCALE	DESIGN UNITS	THIRD ANGLE PROJECTION
8:1	METRIC	
TITLE		
2.0 W-T-B CONN. HEADER ASS'Y-4P		
MOLEX INCORPORATED		SHEET NO.
DOCUMENT NO.		1 OF 01
SD-104046-001		
THIS DRAWING CONTAINS INFORMATION THAT IS PROPRIETARY TO MOLEX INCORPORATED AND SHOULD NOT BE USED WITHOUT WRITTEN PERMISSION		

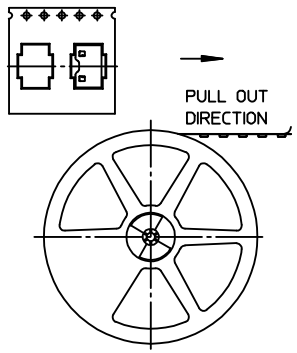
9 8 7 6 5 4 3 2 1



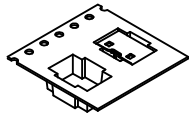
SECTION Z-Z



SECTION Y-Y



PLASTIC BOBBIN



NOTES

1. QUANTITY OF CONNECTORS : 1500 PCS/REEL
2. LEAD LENGTH
3. PEELING OFF FORCE OF COVER TAPE : 0.1N~0.59N(10.2GF~60GF)  
 (PEELING DIRECTION AS SHOW IN FOLLOW FIG.)  
 PEELING OFF SPEED : 300mm/Min.(Ref.)
4. FLASH IN ANY PORTION SHOULD BE LESS THAN 0.20mm MAX.
5. UNLESS OTHERWISE SPECIFIED INNER R0.2 MAX
6. DRAFT ANGLE 3°MAX

[TABLE]

1040460417	104046-0417	24.0mm	104046-9004
MATERIAL NO.	CONNECTOR	TAPE WIDTH	EMBOSS TAPE

3	PLASTIC BOBBIN	HI P.S	WHITE
2	COVER TAPE	PET ANTISTATIC	21.3m
1	CARRIER (EMBOSS) TAPE	PET ANTISTATIC	
NO.	DESCRIPTION	MATERIAL	REMARK

NEW RELEASED EC NO: KOR2010-0066 DRWN:CBCHN 2009/10/15 CHKD:WYANG 2009/10/20 APPR:YUNSIKKIM 2009/10/21	QUALITY SYMBOLS	GENERAL TOLERANCES (UNLESS SPECIFIED)		DIMENSION STYLE MM ONLY		SCALE 4:1	DESIGN UNITS METRIC	THIRD ANGLE PROJECTION
	▽=0 ▽=0	mm	INCH	DRAWN BY SK.HAN	DATE 2009/03/11	TITLE EMBOSSED PACKAGE 20 W-T-B CONN HEADER ASS'Y-4P		
		4 PLACES ± ---	± ---	CHECKED BY WY.YANG	DATE 2009/03/11			
		3 PLACES ± ---	± ---	APPROVED BY WY.YANG	DATE 2009/03/11			
2 PLACES ± 0.20	± ---	MATERIAL NO. SEE TABLE		MOLEX INCORPORATED		DOCUMENT NO. SD-104046-002	SHEET NO. 1 OF 01	
1 PLACE ± 0.25	± ---	DRAFT WHERE APPLICABLE MUST REMAIN WITHIN DIMENSIONS		THIS DRAWING CONTAINS INFORMATION THAT IS PROPRIETARY TO MOLEX INCORPORATED AND SHOULD NOT BE USED WITHOUT WRITTEN PERMISSION				
ANGULAR ± 3 °								

## Данный компонент на территории Российской Федерации

### Вы можете приобрести в компании MosChip.

Для оперативного оформления запроса Вам необходимо перейти по данной ссылке:

<http://moschip.ru/get-element>

Вы можете разместить у нас заказ для любого Вашего проекта, будь то серийное производство или разработка единичного прибора.

В нашем ассортименте представлены ведущие мировые производители активных и пассивных электронных компонентов.

Нашей специализацией является поставка электронной компонентной базы двойного назначения, продукции таких производителей как XILINX, Intel (ex.ALTERA), Vicor, Microchip, Texas Instruments, Analog Devices, Mini-Circuits, Amphenol, Glenair.

Сотрудничество с глобальными дистрибьюторами электронных компонентов, предоставляет возможность заказывать и получать с международных складов практически любой перечень компонентов в оптимальные для Вас сроки.

На всех этапах разработки и производства наши партнеры могут получить квалифицированную поддержку опытных инженеров.

Система менеджмента качества компании отвечает требованиям в соответствии с ГОСТ Р ИСО 9001, ГОСТ РВ 0015-002 и ЭС РД 009

### Офис по работе с юридическими лицами:

105318, г.Москва, ул.Щербаковская д.3, офис 1107, 1118, ДЦ «Щербаковский»

Телефон: +7 495 668-12-70 (многоканальный)

Факс: +7 495 668-12-70 (доб.304)

E-mail: [info@moschip.ru](mailto:info@moschip.ru)

Skype отдела продаж:

moschip.ru

moschip.ru\_4

moschip.ru\_6

moschip.ru\_9