



Main

Range of product	Magelis STO & STU
Product or component type	Touch panel screen
Software designation	Vijeo XD
Operating system	Magelis

Complementary

Display size	4.3 inch
Display type	Colour TFT LCD
Display colour	65536 colours
Display resolution	480 x 272 pixels
Touch panel	Analogue
Backlight lifespan	50000 hours with white
Brightness	16 levels via touch panel
Character font	ASCII (European characters) Chinese (simplified Chinese) Cyrillic Japanese (ANK, Kanji) Korean Taiwanese (traditional Chinese)
[Us] rated supply voltage	12...24 V DC - 10...20 %
Power consumption in W	7.5 W
Number of pages	8999
Memory description	Back up of data, 512 kB Application memory, 26 MB
Integrated connection type	1 USB 2.0 type mini B 1 USB 2.0 type A 1 RJ45 connector serial link with RS232C/RS485 interface at 2400...115200 bps
Supply	External source
Realtime clock	With RTC-battery set (optional)
Downloadable protocols	Modbus Third party protocols
Range compatibility	Omron Allen-Bradley Mitsubishi Siemens
Fixing mode	By 2 installation fasteners on 1.5 to 6 mm thick panel
Enclosure material	PPT
Front material	Plastic
Cut-out dimensions	77.5 x 112.5 mm 66 x 105 mm (with mounting adaptor)
Product weight	0.49 lb(US) (0.22 kg)

Environment

standards	CSA C22.2 No 142 EN 61000-6-2 EN 61000-6-4
-----------	--

The information provided in this documentation contains general descriptions and/or technical characteristics of the performance of the products contained herein. This documentation is not intended as a substitute for and is not to be used for determining suitability or reliability of these products for specific user applications. It is the duty of any such user or integrator to perform the appropriate and complete risk analysis, evaluation and testing of the products with respect to the relevant specific application or use thereof. Neither Schneider Electric Industries SAS nor any of its affiliates or subsidiaries shall be responsible or liable for misuse of the information contained herein.

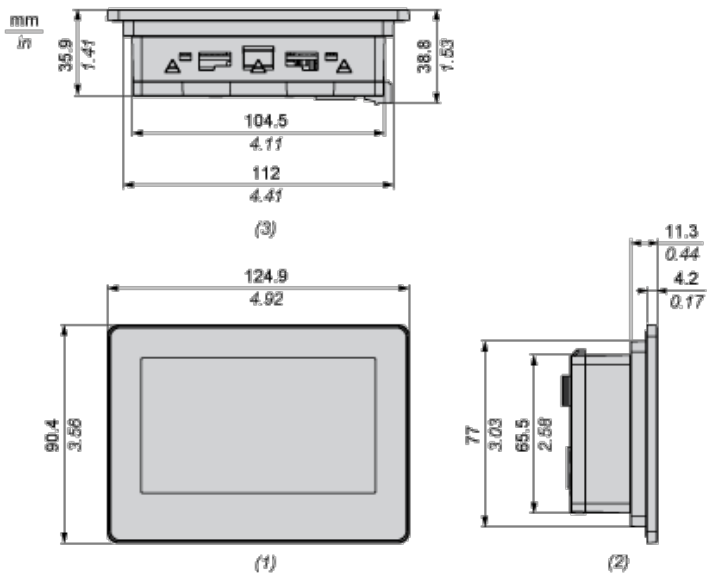
EN 61131-2
 UL 61010-1
 CSA C22.2 No 213
 ANSI/ISA 12.12.01
 UL 61010-2-201

product certifications	ATEX zone 2/22 CE C-Tick CUL UL KCC
directives	2002/96/EC - WEEE directive 2002/95/EC - RoHS directive 1907/2006/EC - REACH directive
ambient air temperature for operation	32...122 °F (0...50 °C)
ambient air temperature for storage	-4...140 °F (-20...60 °C)
relative humidity	10...90 % without condensation
operating altitude	6561.68 ft (2000 m)
IP degree of protection	IP20 (rear panel) IP65f (front panel)
NEMA degree of protection	NEMA 4X/13 front panel (indoor use)
shock resistance	15 gn for 11 ms conforming to IEC 61131-2
vibration resistance	1 gn (f = 5...150 Hz) conforming to IEC 61131-2 3.5 mm constant amplitude (f = 5...150 Hz) conforming to IEC 61131-2
electromagnetic compatibility	Resistance to radiated electromagnetic fields : 10 V/m 80 MHz...2.7 GHz Resistance to electrostatic discharge : 8 kV air discharge conforming to EN 61000-4-2 level 3 Resistance to electrostatic discharge : 6 kV direct contact conforming to EN 61000-4-2 level 3

Offer Sustainability

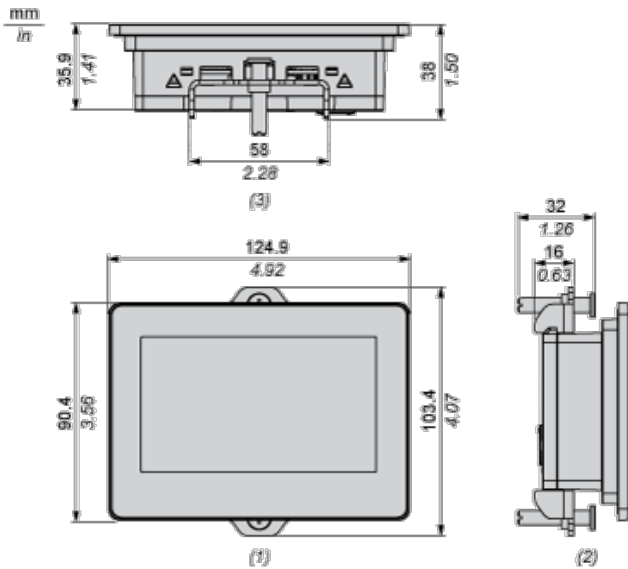
Green Premium product	Green Premium product
Compliant - since 1601 - Schneider Electric declaration of conformity	Compliant - since 1601 - Schneider Electric declaration of conformity
Reference not containing SVHC above the threshold	Reference not containing SVHC above the threshold
Available	Available
Available	Available
WARNING: This product can expose you to chemicals including:	WARNING: This product can expose you to chemicals including:
Lead and lead compounds, which is known to the State of California to cause cancer and birth defects or other reproductive harm.	Lead and lead compounds, which is known to the State of California to cause cancer and birth defects or other reproductive harm.
For more information go to www.p65warnings.ca.gov	For more information go to www.p65warnings.ca.gov

External Dimensions



- 1 Front
- 2 Left
- 3 Bottom

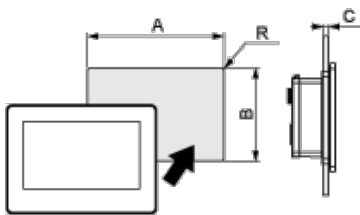
Dimensions with Installation Fasteners



- 1 Front
- 2 Left
- 3 Bottom

Mounting

Panel Cut-out Dimensions



Dimensions in mm

Description	A	B	C	R
Without adapter	112.5	77.5	1.5...6	3 max.

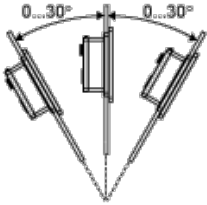
With adapter	105	66	1.5...6	3 max.
--------------	-----	----	---------	--------

Dimensions in in.

Description	A	B	C	R
Without adapter	4.43	3.05	0.06...0.24	0.12 max.
With adapter	4.13	2.6	0.06...0.24	0.12 max.

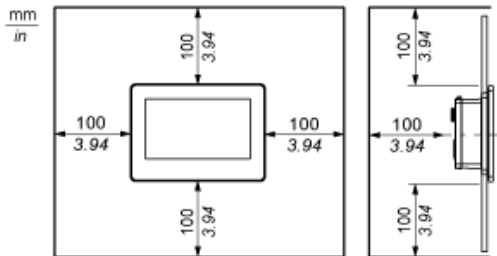
Installation Requirements

Mounting Angle



When installing this product in a slanted position with an incline more than 30°, the ambient temperature must not exceed 40 °C (104 °F). You may need to use forced air cooling (fan, A/C) to ensure the ambient operating temperature is 40 °C or less (104 °F or less).

Clearance



Данный компонент на территории Российской Федерации

Вы можете приобрести в компании MosChip.

Для оперативного оформления запроса Вам необходимо перейти по данной ссылке:

<http://moschip.ru/get-element>

Вы можете разместить у нас заказ для любого Вашего проекта, будь то серийное производство или разработка единичного прибора.

В нашем ассортименте представлены ведущие мировые производители активных и пассивных электронных компонентов.

Нашей специализацией является поставка электронной компонентной базы двойного назначения, продукции таких производителей как XILINX, Intel (ex.ALTERA), Vicor, Microchip, Texas Instruments, Analog Devices, Mini-Circuits, Amphenol, Glenair.

Сотрудничество с глобальными дистрибьюторами электронных компонентов, предоставляет возможность заказывать и получать с международных складов практически любой перечень компонентов в оптимальные для Вас сроки.

На всех этапах разработки и производства наши партнеры могут получить квалифицированную поддержку опытных инженеров.

Система менеджмента качества компании отвечает требованиям в соответствии с ГОСТ Р ИСО 9001, ГОСТ РВ 0015-002 и ЭС РД 009

Офис по работе с юридическими лицами:

105318, г.Москва, ул.Щербаковская д.3, офис 1107, 1118, ДЦ «Щербаковский»

Телефон: +7 495 668-12-70 (многоканальный)

Факс: +7 495 668-12-70 (доб.304)

E-mail: info@moschip.ru

Skype отдела продаж:

moschip.ru

moschip.ru_4

moschip.ru_6

moschip.ru_9