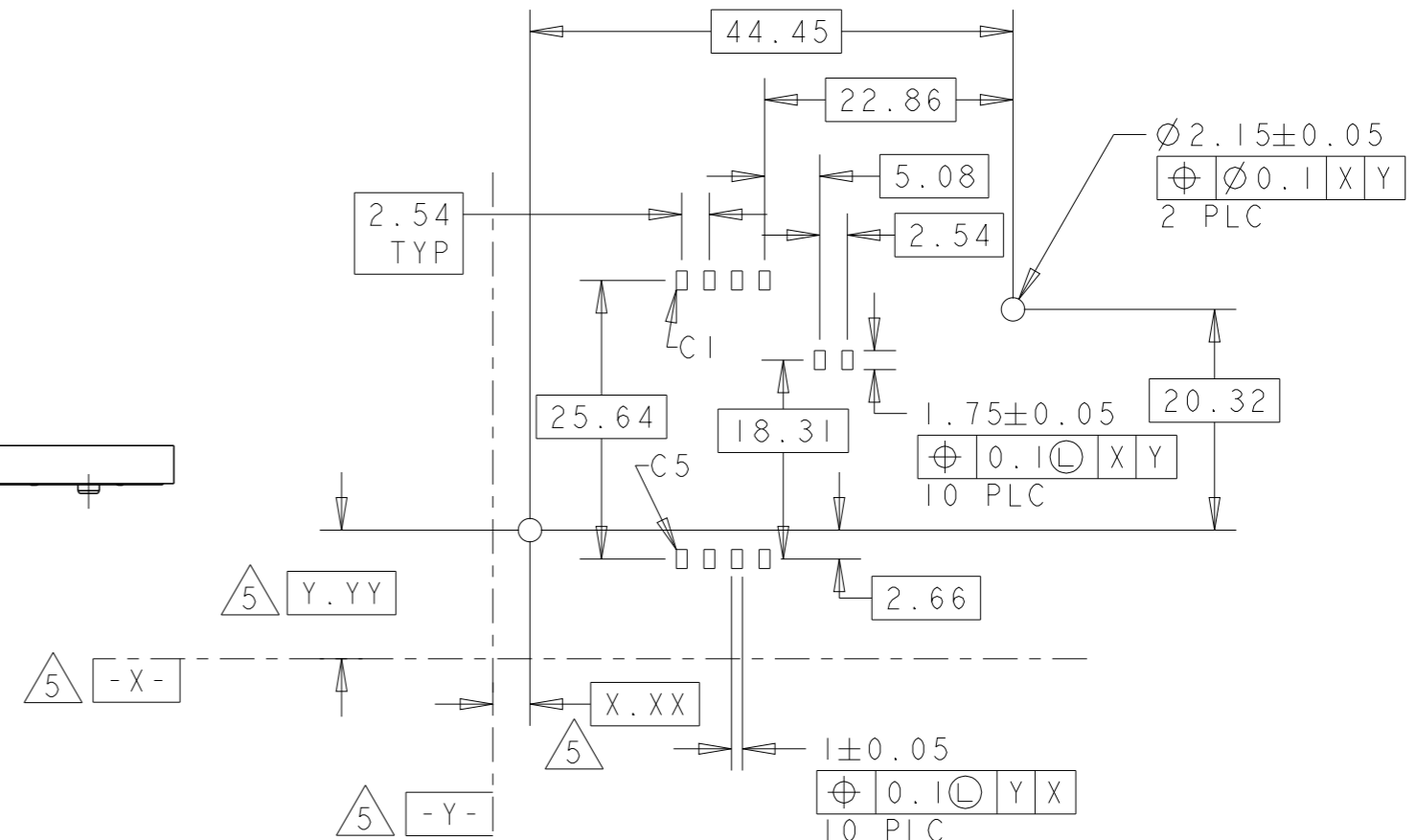
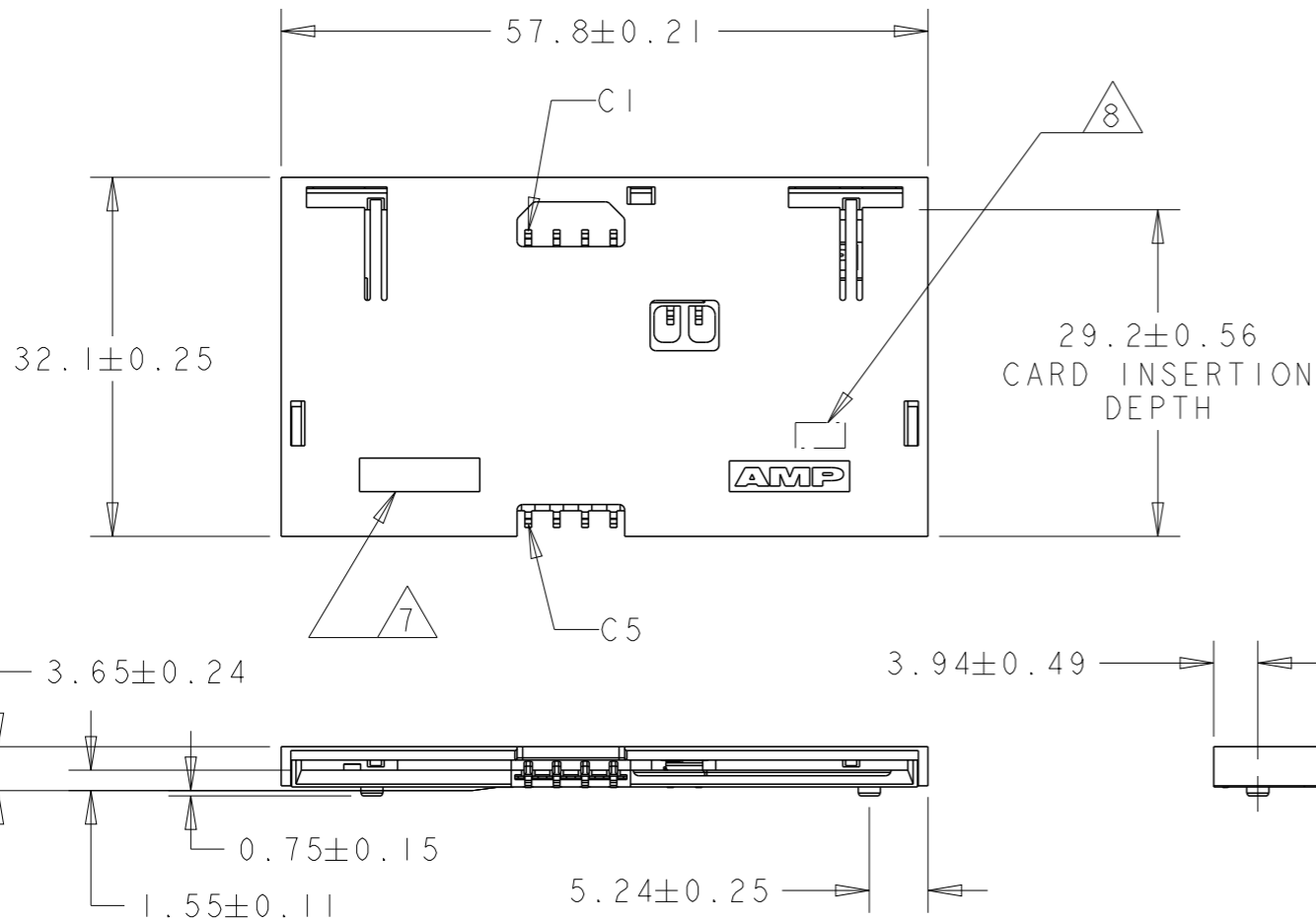



LOC	DIST	REVISIONS			
P	LTR	DESCRIPTION	DATE	DWN	APVD
GP	00	C3	REVISED PER ECR-12-005639	26MAR2012	S.Y H.K

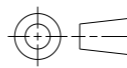


- 1 MATERIALS: HOUSING: THERMOPLASTIC, COLOR: BLACK, CONTACTS: COPPER ALLOY.
- 2 FINISH: CONTACTS: GOLD PLATE ON MATING SURFACE, TIN-LEAD ON SOLDER TAIL, ALL OVER NICKEL UNDERPLATE.
- 3 CONNECTOR WITHOUT COVER, SHOWN ON PAGE 2.
- 4. CARD DETECTION SWITCH NORMALLY OPEN.
- 5 DATUMS AND DIMENSIONS ESTABLISHED BY CUSTOMER.
- 6 TOP SURFACE OF THE MATING CARD TO BE HELD .875±.025 ABOVE THE MAJOR TOP SURFACE OF THE BOTTOM HOUSING.
- 7 PLASTIC MATERIAL IDENTIFICATION PER ISO 11469.
- 8 MANUFACTURING LOCATION IDENTIFIER.

3 6	.000127	250	72	REEL	8	5145300-5
	.000127	250	72	REEL	8	5145300-4
	.000127	21	329.0 x 229.0	TRAY	8	5145300-3
	.00076	28	333.5 x 288.8	TRAY	8	5145300-2
3 6	.00076	28	333.5 x 288.8	TRAY	8	5145300-1
	GOLD PLATING MIN THICKNESS	QTY/UNIT PACKAGE	PACKAGE SIZE	PACKAGE	CONTACT POSITIONS	PART NUMBER

THIS DRAWING IS A CONTROLLED DOCUMENT.

DWN G. PETERS 27NOV05	 TE Connectivity
CHK D. GORENC 27NOV05	
APVD M. WALMSLEY 27NOV05	
PRODUCT SPEC 108-1742	
APPLICATION SPEC	NAME SURFACE MOUNT SMART CARD W/ CARD DETECTION SWITCH
WEIGHT	SIZE A3 CAGE CODE 00779 DRAWING NO C-5145300 RESTRICTED TO
CUSTOMER DRAWING	SCALE 2:1 SHEET 1 OF 5 REV C3

DIMENSIONS:	TOLERANCES UNLESS OTHERWISE SPECIFIED:
mm	0 PLC ±0.5
	1 PLC ±0.25
	2 PLC ±0.15
	3 PLC ±0.05
	4 PLC ±0.03
	ANGLES ±5°
MATERIAL 1	FINISH 2

THIS DRAWING IS UNPUBLISHED.

RELEASED FOR PUBLICATION

20

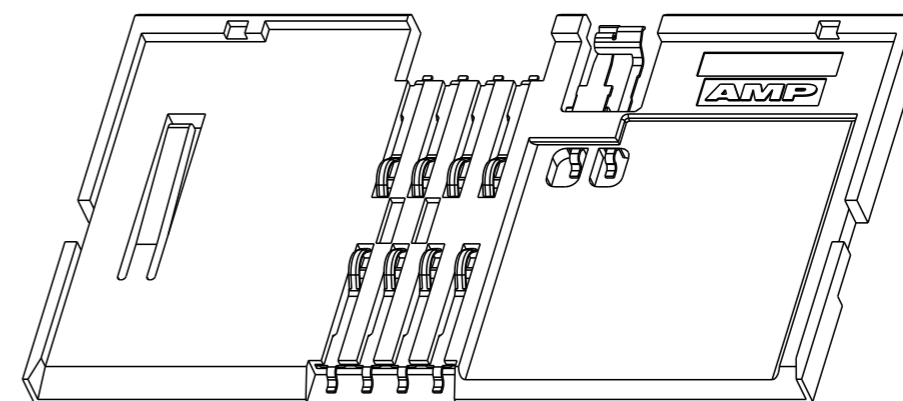
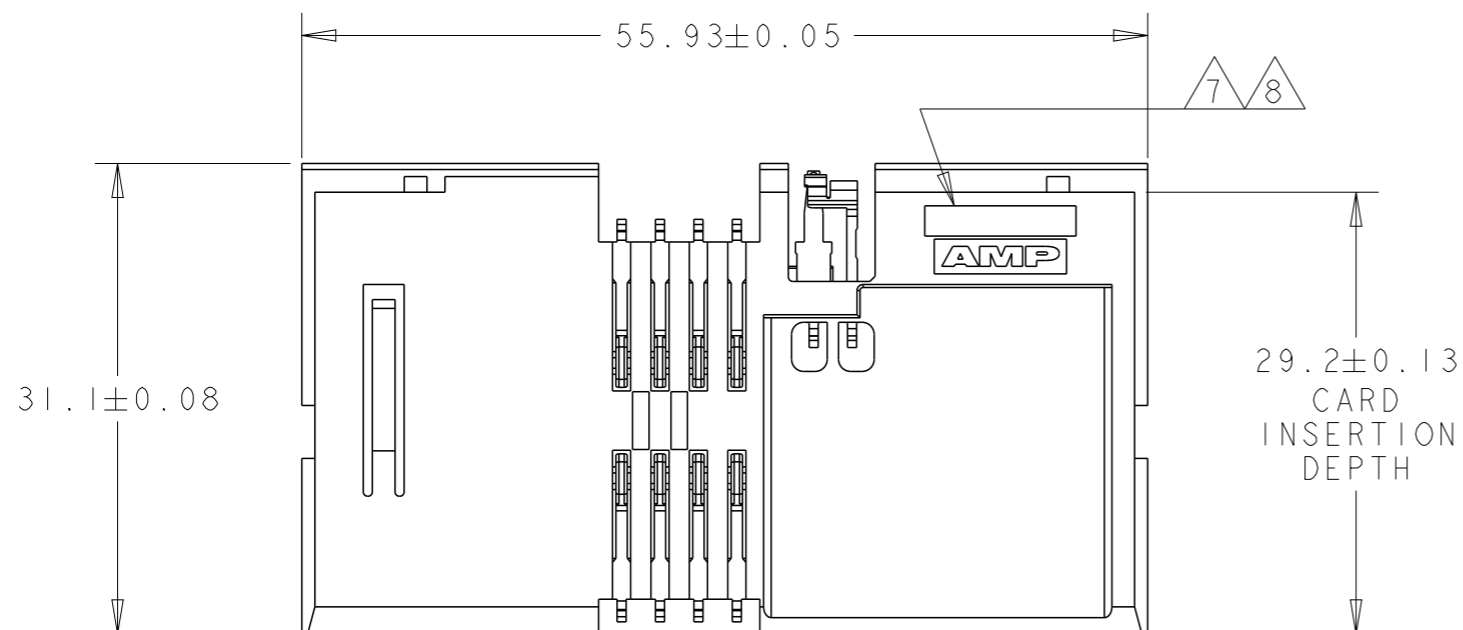
© COPYRIGHT 20 BY -

ALL RIGHTS RESERVED.

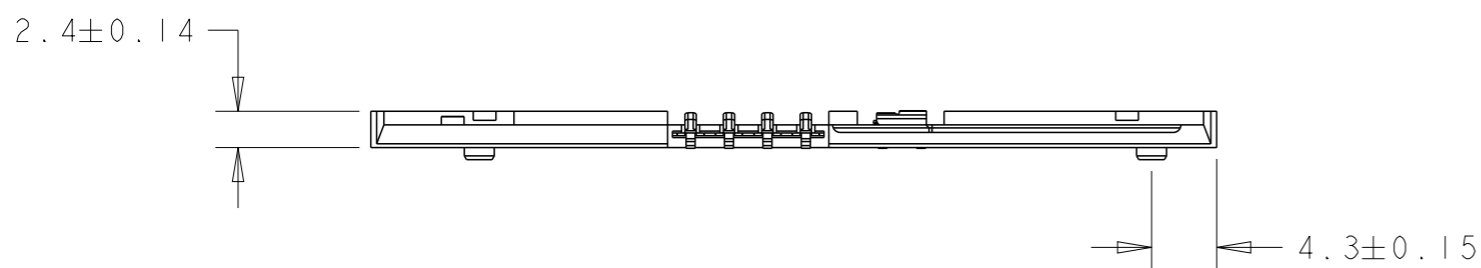
LOC GP DIST 00

REVISIONS

P	LTR	DESCRIPTION	DATE	DWN	APVD
-	-	SEE SHEET 1	-	-	-

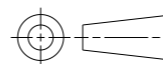


3 145300-1 DEPICTED ON THIS PAGE.



THIS DRAWING IS A CONTROLLED DOCUMENT.

DIMENSIONS:
mm



TOLERANCES UNLESS OTHERWISE SPECIFIED:

0 PLC	±0.5
1 PLC	±0.25
2 PLC	±0.15
3 PLC	±0.05
4 PLC	±0.03
ANGLES	±5°

MATERIAL

FINISH

DWN G. PETERS 27NOV05
 CHK D. GORENC 27NOV05
 APVD M. WALMSLEY 27NOV05
 PRODUCT SPEC 108-1742
 APPLICATION SPEC -
 WEIGHT -



NAME SURFACE MOUNT
 SMART CARD
 W/ CARD DETECTION SWITCH

SIZE	CAGE CODE	DRAWING NO	RESTRICTED TO
A300779	C=5145300		-

CUSTOMER DRAWING SCALE 2:1 SHEET 2 OF 5 REV C3

4

3

2

1

THIS DRAWING IS UNPUBLISHED.

RELEASED FOR PUBLICATION

20

© COPYRIGHT 20 BY -

ALL RIGHTS RESERVED.

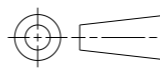
LOC	DIST
GP	00

REVISIONS


P	LTR	DESCRIPTION	DATE	DWN	APVD
-	-	SEE SHEET 1	-	-	-

TRAY PACKAGING FOR 5145300-1 AND 5145300-2

THIS DRAWING IS A CONTROLLED DOCUMENT.

DIMENSIONS: mm	TOLERANCES UNLESS OTHERWISE SPECIFIED:
	0 PLC ±0.5
	1 PLC ±0.25
	2 PLC ±0.15
	3 PLC ±0.05
	4 PLC ±0.03
	ANGLES ±5°
MATERIAL	FINISH

DWN	G. PETERS	27NOV05
CHK	D. GORENC	27NOV05
APVD	M. WALMSLEY	27NOV05
PRODUCT SPEC	108-1742	
APPLICATION SPEC	-	
WEIGHT	-	
CUSTOMER DRAWING		

 TE Connectivity		NAME	
		SURFACE MOUNT SMART CARD W/ CARD DETECTION SWITCH	
SIZE	CAGE CODE	DRAWING NO	RESTRICTED TO
A3	00779	5145300	-
SCALE 1:2		SHEET 3 OF 5	REV C3

1470-19 (3/11)

4

3

2

1

THIS DRAWING IS UNPUBLISHED.

RELEASED FOR PUBLICATION

20

© COPYRIGHT 20

BY -

ALL RIGHTS RESERVED.

LOC	DIST
GP	00

REVISIONS

P	LTR	DESCRIPTION	DATE	DWN	APVD
-	-	SEE SHEET 1	-	-	-

TRAY PACKAGING FOR 5145300-3

THIS DRAWING IS A CONTROLLED DOCUMENT.

DWN G. PETERS 27NOV05

CHK D. GORENC 27NOV05

APVD M. WALMSLEY 27NOV05

PRODUCT SPEC

108-1742

APPLICATION SPEC

WEIGHT

-

CUSTOMER DRAWING

TE Connectivity

 NAME SURFACE MOUNT
 SMART CARD
 W/ CARD DETECTION SWITCH

SIZE	CAGE CODE	DRAWING NO	RESTRICTED TO
------	-----------	------------	---------------

A300779	C=5145300	-	-
---------	-----------	---	---

DIMENSIONS:

mm

TOLERANCES UNLESS OTHERWISE SPECIFIED:

0 PLC	±0.5
1 PLC	±0.25
2 PLC	±0.15
3 PLC	±0.05
4 PLC	±0.03
ANGLES	±5°

MATERIAL

FINISH

SCALE 1:2

SHEET 4 OF 5

REV C3

1470-19 (3/11)

4

3

2

1

THIS DRAWING IS UNPUBLISHED.

RELEASED FOR PUBLICATION

20

© COPYRIGHT 20 BY -

ALL RIGHTS RESERVED.

LOC	DIST
GP	00

REVISIONS

P	LTR	DESCRIPTION	DATE	DWN	APVD
-	-	SEE SHEET 1	-	-	-

(4) (2) (32.1) CARD DIMENSION

(34.2) (72) (40) K

AMP

(57.8) CARD DIMENSION

(3.65) CARD DIMENSION

→ CUSTOMER DE-REEL DIRECTION

SECTION K-K


TAPE PACKAGING FOR 5145300-4, 5145300-5
SCALE 1:1

(74) INSIDE WIDTH
(78) OUTSIDE WIDTH

(∅100)

(∅330)

PLASTIC REEL DETAILS FOR 5145300-4, 5145300-5
SCALE 1:10

THIS DRAWING IS A CONTROLLED DOCUMENT.		DWN G. PETERS 27NOV05	 TE Connectivity	
DIMENSIONS: mm		CHK D. GORENC 27NOV05		
TOLERANCES UNLESS OTHERWISE SPECIFIED:		APVD M. WALMSLEY 27NOV05	NAME SURFACE MOUNT SMART CARD W/ CARD DETECTION SWITCH	
0 PLC ±0.5 1 PLC ±0.25 2 PLC ±0.15 3 PLC ±0.05 4 PLC ±0.03 ANGLES ±5°		PRODUCT SPEC 108-1742	SIZE A300779	
MATERIAL		APPLICATION SPEC	CAGE CODE G-5145300	DRAWING NO 5145300
FINISH		WEIGHT	RESTRICTED TO	
CUSTOMER DRAWING		SCALE 2:1	SHEET 5 OF 5	REV C3

1470-19 (3/11)

Данный компонент на территории Российской Федерации

Вы можете приобрести в компании MosChip.

Для оперативного оформления запроса Вам необходимо перейти по данной ссылке:

<http://moschip.ru/get-element>

Вы можете разместить у нас заказ для любого Вашего проекта, будь то серийное производство или разработка единичного прибора.

В нашем ассортименте представлены ведущие мировые производители активных и пассивных электронных компонентов.

Нашей специализацией является поставка электронной компонентной базы двойного назначения, продукции таких производителей как XILINX, Intel (ex.ALTERA), Vicor, Microchip, Texas Instruments, Analog Devices, Mini-Circuits, Amphenol, Glenair.

Сотрудничество с глобальными дистрибьюторами электронных компонентов, предоставляет возможность заказывать и получать с международных складов практически любой перечень компонентов в оптимальные для Вас сроки.

На всех этапах разработки и производства наши партнеры могут получить квалифицированную поддержку опытных инженеров.

Система менеджмента качества компании отвечает требованиям в соответствии с ГОСТ Р ИСО 9001, ГОСТ РВ 0015-002 и ЭС РД 009

Офис по работе с юридическими лицами:

105318, г.Москва, ул.Щербаковская д.3, офис 1107, 1118, ДЦ «Щербаковский»

Телефон: +7 495 668-12-70 (многоканальный)

Факс: +7 495 668-12-70 (доб.304)

E-mail: info@moschip.ru

Skype отдела продаж:

moschip.ru

moschip.ru_4

moschip.ru_6

moschip.ru_9