



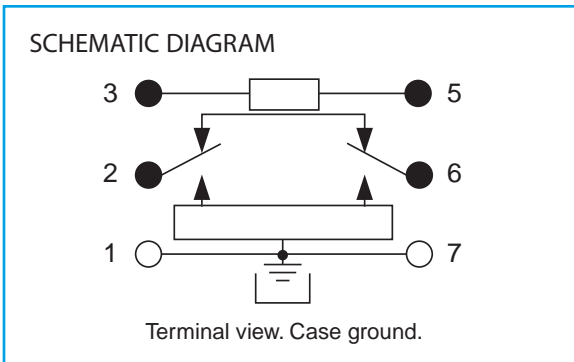
**TELEDYNE
RELAYS**

A Teledyne Technologies Company

**HIGH REPEATABILITY
ULTRAMINIATURE
BROADBAND
ATTENUATOR RELAYS**

**SERIES
GA152**

| SERIES DESIGNATION | RELAY TYPE |
|--------------------|-------------------------|
| GA152 | Attenuator relay series |



DESCRIPTION

The Series GA152 highly repeatable ultraminiature attenuator relays are designed for attenuating RF signals in 50-ohm systems over a frequency range from DC to 5 GHz. Their low profile and small grid spacing makes them ideal for use when packaging density is a prime consideration. The GA152 relays eliminate the need for additional external resistors/attenuators.

These single section, switchable attenuator relays have an internal matched thin film attenuator pad in a "Pi" configuration. Relays are available in a fixed increment of 20 dB.

The GA152 attenuator relay features:

- High repeatability.
- Unique uni-frame motor design which provides high magnetic efficiency and mechanical rigidity.
- Minimum mass components and welded construction for maximum resistance to shock and vibration.
- Advanced cleaning techniques which assures internal cleanliness.
- Gold plated, precious metal contacts, which provide excellent intermodulation performance.
- Flat amplitude vs. frequency response.
- High isolation between control and signal path.
- Stable attenuation vs. temperature.
- Excellent phase linearity.
- Highly resistant to ESD.

Patent No. 5,315,273

| ENVIRONMENTAL AND PHYSICAL SPECIFICATIONS | | |
|-------------------------------------------|-----------|-----------------------|
| Temperature (Ambient) | Storage | -65°C to +125°C |
| | Operating | -55°C to +85°C |
| Vibration (General Note 1) | | 10 g's to 500 Hz |
| Shock (General Note 1) | | 30 g's, 6ms half sine |
| Enclosure | | Hermetically sealed |
| Weight | | 0.11 oz. (3.2g) max. |

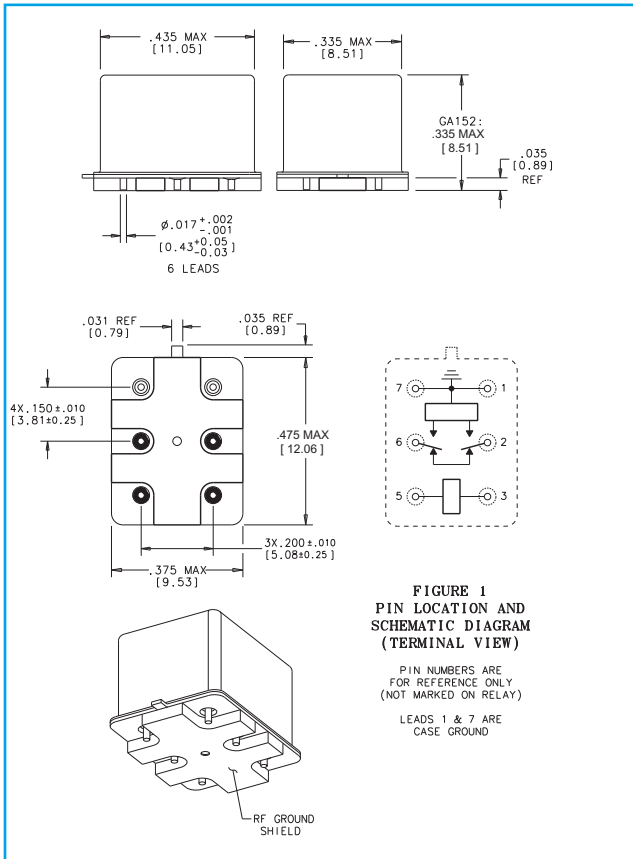
SERIES GA152
 GENERAL PERFORMANCE (-55°C to +85°C, unless otherwise specified)

| PARAMETER | MINIMUM | TYPICAL | MAXIMUM | UNITS |
|------------------------------|---------|---------|---------|-------|
| Operating Frequency (Note 2) | 0.0 | | 5.0 | GHz |
| Power (Notes 5 and 6) | | | 1.0 | Watt |
| Impedance | | 50 | | Ohms |

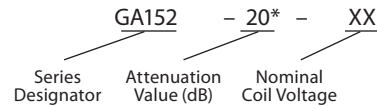
ELECTRICAL SPECIFICATION (-55°C to +85°C, unless otherwise specified)

| PART NUMBER (Note 7) | | GA152-dB-5 | GA152-dB-12 | GA152-dB-15 | GA152-dB-26 |
|----------------------------|-------|-------------------------------------------------|-------------|-------------|-------------|
| Coil Voltage Vdc (Note 6) | Nom. | 5 | 12 | 15 | 26.5 |
| | Max. | 5.8 | 16.0 | 20.0 | 32.0 |
| Coil Resistance Ohms ±20% | @25°C | 50 | 390 | 610 | 1560 |
| Pick-up Voltage Vdc Max. | @25°C | 3.8 | 9.0 | 11.3 | 18.0 |
| Switching Time ms (Note 8) | Max. | 4.0 | | | |
| | Typ. | 2.0 | | | |
| Insulation Resistance | | 1,000 MΩ typical (all mutually isolated points) | | | |
| Dielectric Strength | | 300 VRMS / 60 Hz typical (at sea level) | | | |

OUTLINE DIMENSIONS



TELEDYNE RELAYS PART NUMBERING SYSTEM FOR GA152 ATTENUATOR RELAYS



*Contact factory for additional attenuation values

GENERAL NOTES

1. Contacts will exhibit no contact chatter in excess of 10 μs or transfer in excess of 1 μs.
2. Relays may be operated at higher frequencies with reduced RF performance.
3. For optimal RF performance, solder case to RF ground plane.
4. Attenuation values shown are with reference to the through path (low loss state).
5. Power handling for case temperatures of -55°C to +55°C is 1 Watt. Derate power handling 25 mW/°C above +55°C. Case measurement point is adjacent to the relay tab.
6. Do not operate coil at maximum coil voltage continuously.
7. Insert attenuation value, see part numbering system.
8. Switching time includes bounce.
9. The slash and characters appearing after the slash are not marked on the relay.
10. Unless otherwise specified, relays will be supplied with either gold-plated or solder-coated leads.

RF PERFORMANCE (-55°C to +85°C, unless otherwise specified) (Notes 2, 3 and 4)

| PARAMETER | MINIMUM | TYPICAL | MAXIMUM | UNITS | CONDITION |
|------------------------|-----------|---------|---------|-------|-----------|
| Insertion Loss | | 0.1 | 0.25 | dB | DC-1 GHz |
| | | 0.2 | 0.35 | dB | 1-2 GHz |
| | | 0.3 | .055 | dB | 2-3 GHz |
| | See graph | | | | 3-5 GHz |
| VSWR (Through path) | | 1.10 | 1.20 | | DC-1 GHz |
| | | 1.20 | 1.25 | | 1-2 GHz |
| | | 1.25 | 1.30 | | 2-3 GHz |
| | See graph | | | | 3-5 GHz |
| VSWR (Attenuated path) | | 1.20 | 1.25 | | DC-1 GHz |
| | | 1.30 | 1.35 | | 1-2 GHz |
| | | 1.40 | 1.45 | | 2-3 GHz |
| | See graph | | | | 3-5 GHz |

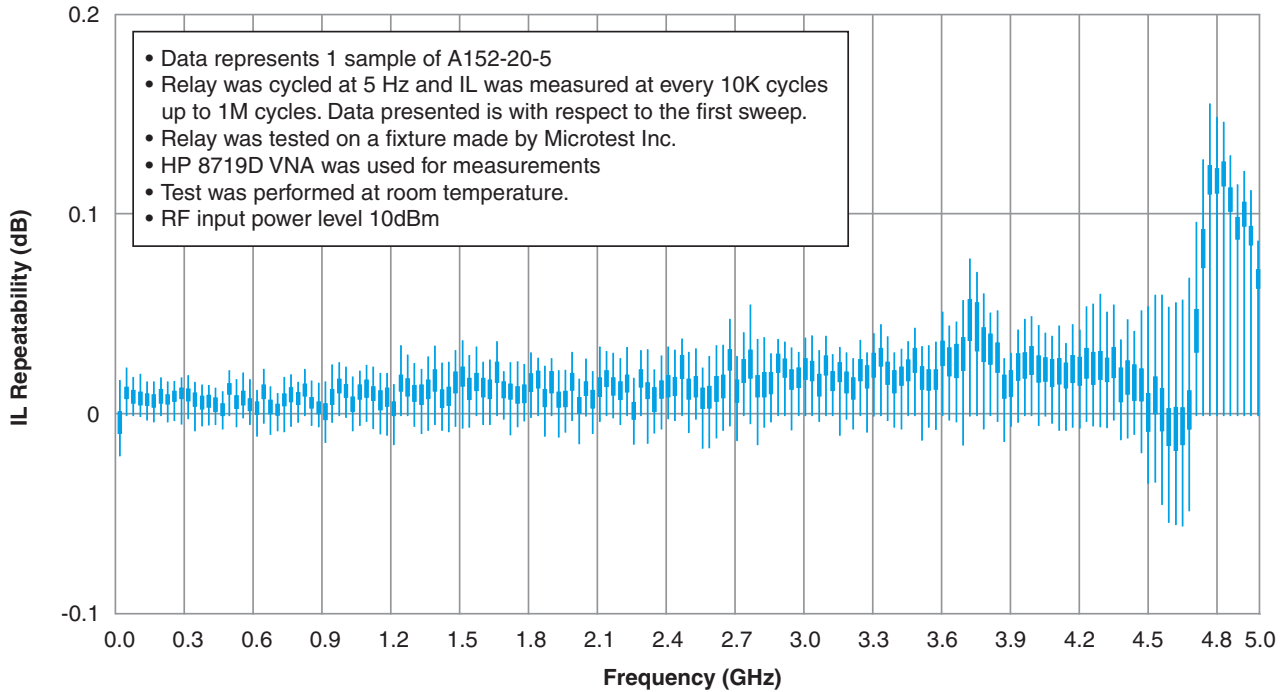
| ATTENUATION | MINIMUM | TYPICAL | MAXIMUM | UNITS | CONDITION |
|-------------|-----------|---------|---------|-------|-----------|
| 20 | 19.8 | 20.0 | 20.2 | dB | DC-1 GHz |
| | 19.6 | 20.0 | 20.4 | dB | 1-2 GHz |
| | 19.0 | 20.0 | 21.0 | dB | 2-3 GHz |
| | See graph | | | | 3-5 GHz |

Contact factory for additional attenuation values

SERIES GA152
TYPICAL RF PERFORMANCE (Notes 3 and 4)



A152 Insertion Loss Repeatability (Through Path)



A152 Insertion Loss Repeatability (Attenuated Path)



RF INSERTION LOSS REPEATABILITY NOTES

1. RF Performance shown is for A152. GA152 RF Data is TBD. RF Performance is the same or better than A152.
2. Test conditions:
 - a. Fixture: Custom plug-in test fixture.
 - b. Relay header is in contact with, but not soldered to, ground plane.
 - c. Test performed at room ambient temperature.
 - d. Contact signal level: 10 dBm.
3. Data presented herein represents typical characteristics and is not intended for use as specification limits.
4. Insertion loss repeatability measured over frequency range from 3 MHz to 5 GHz.

Данный компонент на территории Российской Федерации

Вы можете приобрести в компании MosChip.

Для оперативного оформления запроса Вам необходимо перейти по данной ссылке:

<http://moschip.ru/get-element>

Вы можете разместить у нас заказ для любого Вашего проекта, будь то серийное производство или разработка единичного прибора.

В нашем ассортименте представлены ведущие мировые производители активных и пассивных электронных компонентов.

Нашей специализацией является поставка электронной компонентной базы двойного назначения, продукции таких производителей как XILINX, Intel (ex.ALTERA), Vicor, Microchip, Texas Instruments, Analog Devices, Mini-Circuits, Amphenol, Glenair.

Сотрудничество с глобальными дистрибьюторами электронных компонентов, предоставляет возможность заказывать и получать с международных складов практически любой перечень компонентов в оптимальные для Вас сроки.

На всех этапах разработки и производства наши партнеры могут получить квалифицированную поддержку опытных инженеров.

Система менеджмента качества компании отвечает требованиям в соответствии с ГОСТ Р ИСО 9001, ГОСТ РВ 0015-002 и ЭС РД 009

Офис по работе с юридическими лицами:

105318, г.Москва, ул.Щербаковская д.3, офис 1107, 1118, ДЦ «Щербаковский»

Телефон: +7 495 668-12-70 (многоканальный)

Факс: +7 495 668-12-70 (доб.304)

E-mail: info@moschip.ru

Skype отдела продаж:

moschip.ru

moschip.ru_4

moschip.ru_6

moschip.ru_9