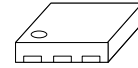


## 1-Channel Low Side Switch

### ■ GENERAL DESCRIPTION

The NJW4822 is the single low-side switch that can supply 0.2A. The active clamp, overcurrent, error flag output and thermal shutdown are built in with Nch MOS FET. It can be controlled by a logic signal (3V/5V) directly. Especially, the NJW4822 is suitable for various Sensors output block as NPN type. The FLT logic has two versions: Active-high (A-ver) and Active-low (B-ver). Also, The NJW4822 is a complementary product to the NJW4832.

### ■ PACKAGE OUTLINE

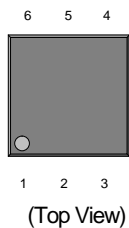


NJW4822KH1

### ■ FEATURES

- Drain-Source Voltage                      43V
- Drain Current                                0.2A
- Corresponding with Logic Voltage Operation: 3V/5V
- Low On-Resistance                        1.1Ω (typ.) ( $V_{IN}=5V$ )  
1.3Ω (typ.) ( $V_{IN}=3.3V$ )
- Low Consumption Current                160μA (typ.) ( $V_{IN}=5V$ )  
135μA (typ.) ( $V_{IN}=3.3V$ )
- Active Clamp Circuit
- Over Current Protection
- Thermal Shutdown
- Package Outline                            DFN6-H1 (ESON6-H1)

### ■ PIN CONFIGURATION

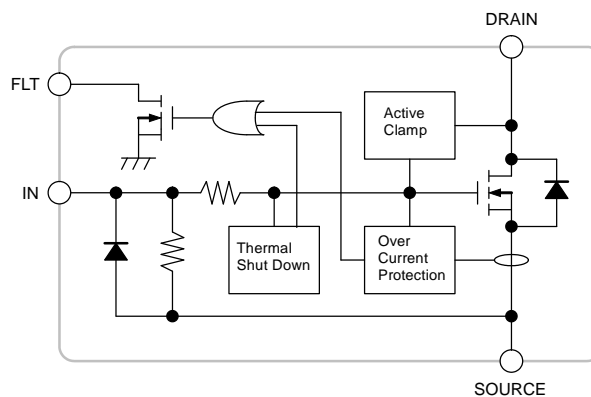


1. NC
2. NC
3. DRAIN
4. IN
5. SOURCE
6. FLT



Exposed PAD on backside connect to GND.

### ■ BLOCK DIAGRAM



## ■ ABSOLUTE MAXIMUM RATINGS

(Ta=25°C)

PARAMETER	SYMBOL	RATINGS	UNIT	REMARK
Drain-Source Voltage	V <sub>DS</sub>	+43	V	DRAIN-SOURCE Pin
Input Pin Voltage	V <sub>IN</sub>	-0.3 to +6	V	IN-SOURCE Pin
FLT Pin Voltage	V <sub>FLT</sub>	-0.3 to +6	V	FLT-SOURCE Pin
Power Dissipation	P <sub>D</sub>	445 (*1) 1135 (*2)	mW	-
Active Clamp Tolerance (Single Pulse)	E <sub>AS</sub>	100	mJ	-
Active Clamp Current	I <sub>AP</sub>	0.2	A	-
Junction Temperature	T <sub>j</sub>	-40 to +150	°C	-
Operating Temperature	T <sub>opr</sub>	-40 to +125	°C	-
Storage Temperature	T <sub>stg</sub>	-50 to +150	°C	-

(\*1): Mounted on glass epoxy board (101.5×114.5×1.6mm: based on EIA/JEDEC standard, 2Layers FR-4, with Exposed Pad)

(\*2): Mounted on glass epoxy board (101.5×114.5×1.6mm: based on EIA/JEDEC standard, 4Layers FR-4, with Exposed Pad)

(4Layers: Applying 99.5×99.5mm inner Cu area and a thermal via hole to a board based on JEDEC standard JESD51-5)

## ■ RECOMMENDED OPERATING CONDITIONS

(Ta=25°C)

PARAMETER	SYMBOL	MIN.	TYP.	MAX.	UNIT	REMARK
Drain-Source Voltage	V <sub>DS</sub>	0	-	40	V	DRAIN-SOURCE Pin
Drain Current	I <sub>D</sub>	0	-	0.2	A	DRAIN-SOURCE Pin
Input Pin Voltage	V <sub>IN</sub>	0	-	5.5	V	IN-SOURCE Pin
FLT Pin Voltage	V <sub>FLT</sub>	0	-	5.5	V	FLT-SOURCE Pin

## ■ PRODUCT VERSION

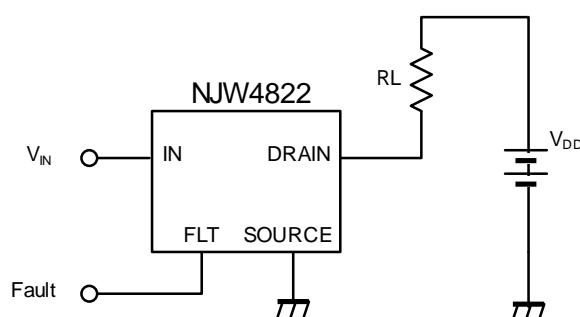
PRODUCT NAME	FLT LOGIC
NJW4822KH1-A	Active High
NJW4822KH1-B	Active Low

## ■ ELECTRICAL CHARACTERISTICS

(Unless otherwise noted,  $V_{DS}=13V$ ,  $T_a=25^{\circ}C$ )

PARAMETER	SYMBOL	CONDITIONS	MIN.	TYP.	MAX.	UNIT
Drain-Source Clamp Voltage	$V_{DSS\_CL}$	$V_{IN}=0V$ , $I_D=1mA$	43	–	–	V
Input Threshold Voltage	$V_{th}$	$V_{DS}=13V$ , $I_D=10mA$	0.55	0.8	1.05	V
Protection Circuit Function Input Voltage Range	$V_{IN\_opr}$		2.64	–	5.5	V
Zero-gate-voltage drain Current	$I_{DSS}$	$V_{IN}=0V$ , $V_{DS}=40V$	–	–	1	$\mu A$
Input Current 1 (at Normal Operation)	$I_{IN1}$	$V_{IN}=5V$	–	160	225	$\mu A$
Input Current 2 (at Normal Operation)	$I_{IN2}$	$V_{IN}=3.3V$	–	135	195	$\mu A$
Input Current 3 (at OCP Operation)	$I_{IN3}$	$V_{IN}=5V$ , $V_{DD}=13V$	–	260	345	$\mu A$
Input Current 4 (at OCP Operation)	$I_{IN4}$	$V_{IN}=3.3V$ , $V_{DD}=13V$	–	175	240	$\mu A$
On-state Resistance 1	$R_{DS\_ON1}$	$V_{IN}=5V$ , $I_D=0.2A$	–	1.1	1.45	$\Omega$
On-state Resistance 2	$R_{DS\_ON2}$	$V_{IN}=3.3V$ , $I_D=0.2A$	–	1.2	1.6	$\Omega$
Over Current Protection 1	$I_{LIMIT1}$	$V_{IN}=5V$ , $V_{DD}=13V$	0.2	0.45	0.85	A
Over Current Protection 2	$I_{LIMIT2}$	$V_{IN}=3.3V$ , $V_{DD}=13V$	0.2	0.4	0.8	A
Turn-on Time 1	$t_{ON1}$	$V_{IN}=0$ to $5V$ , $V_{DD}=13V$ , $I_D=0.2A$	–	2	–	$\mu s$
Turn-on Time 2	$t_{ON2}$	$V_{IN}=0$ to $3.3V$ , $V_{DD}=13V$ , $I_D=0.2A$	–	4	–	$\mu s$
Turn-off Time 1	$t_{OFF1}$	$V_{IN}=5$ to $0V$ , $V_{DD}=13V$ , $I_D=0.2A$	–	13	–	$\mu s$
Turn-off Time 2	$t_{OFF2}$	$V_{IN}=3.3$ to $0V$ , $V_{DD}=13V$ , $I_D=0.2A$	–	8	–	$\mu s$
Source–Drain Voltage Difference	$V_{PDSD}$	$V_{IN}=0V$ , $I_{DR}=0.2A$	–	0.95	1.25	V
FLT Pin Low Level Output Voltage	$V_{LFLT}$	$I_{FLT}=500\mu A$	–	0.25	0.5	V
FLT Pin Leak Current at OFF State	$I_{OLEAKFLT}$	$V_{FLT}=5.5V$	–	–	1	$\mu A$
FLT delay Time at OCP Detection	$T_{dFLT}$	$I_D < I_{LIMIT} \rightarrow I_D \geq I_{LIMIT}$	–	0.85	–	ms
FLT delay Time at OCP Release	$T_{dRFLT}$	$I_D \geq I_{LIMIT} \rightarrow I_D < I_{LIMIT}$	–	0.3	–	ms

## ■ MEASUREMENT CIRCUIT



# NJW4822

## ■ TRUTH TABLE

[A-version: Active-high]

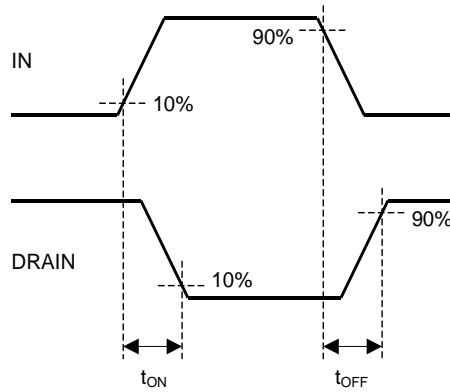
Input Signal	Operating Condition	FLT Pin	Output Status
L	Normal	H	OFF
H		L	ON
L	Over Current $I_{LIMIT}$	H	OFF
H		H	$I_{LIMIT}$
L	$T_j > 150^\circ\text{C}$	H	OFF
H		H	OFF

[B-version: Active-low]

Input Signal	Operating Condition	FLT Pin	Output Status
L	Normal	H	OFF
H		H	ON
L	Over Current $I_{LIMIT}$	H	OFF
H		L	$I_{LIMIT}$
L	$T_j > 150^\circ\text{C}$	H	OFF
H		L	OFF

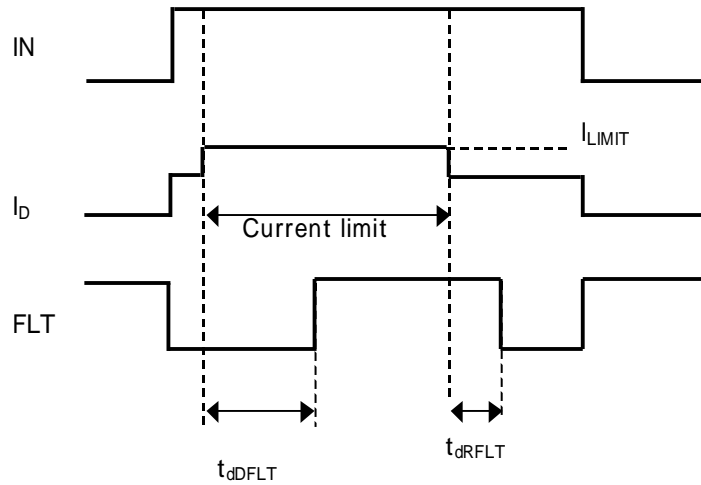
## ■ TIMING CHART

ON, OFF Switching Time ( $V_{IN}=0$  to 5V,  $V_{DS}=13V$ ,  $I_D=0.2A$ )

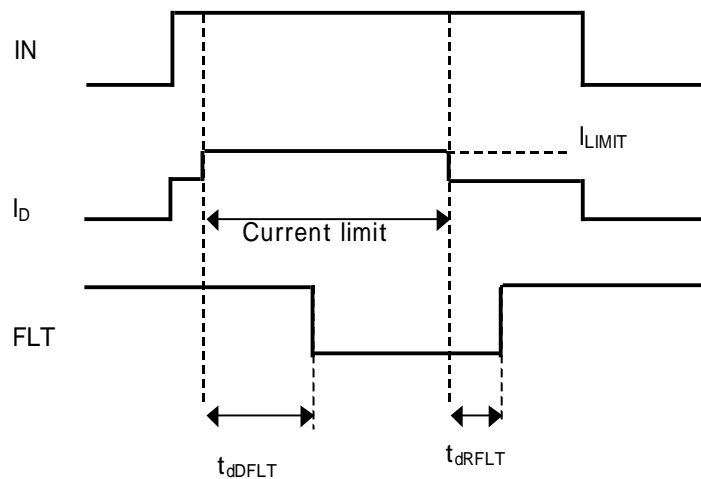


FLT delay at OCP detection and OCP release ( $V_{IN}=0$  to 5V, FLT=Pull-up)

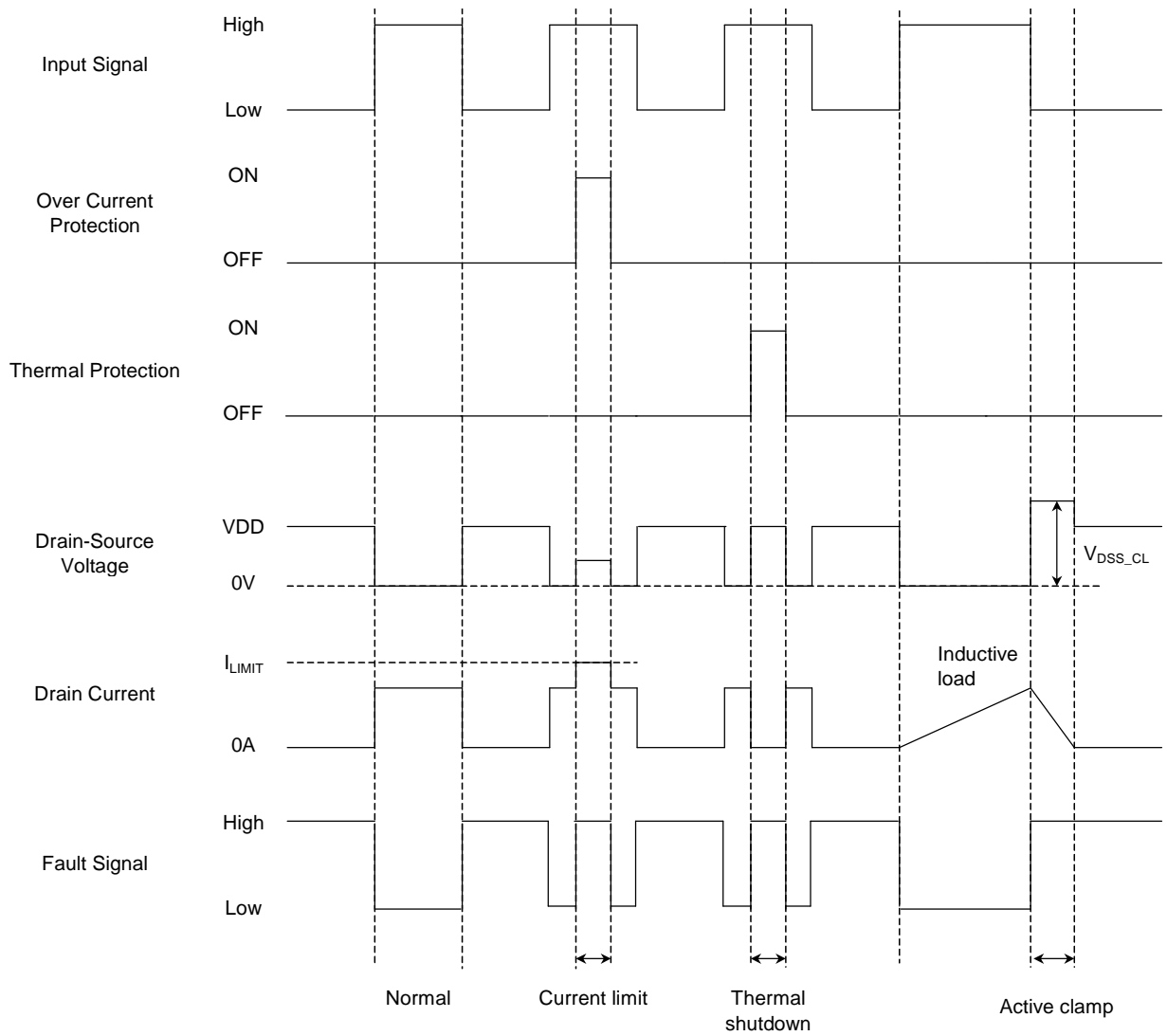
[A-version: Active-high]



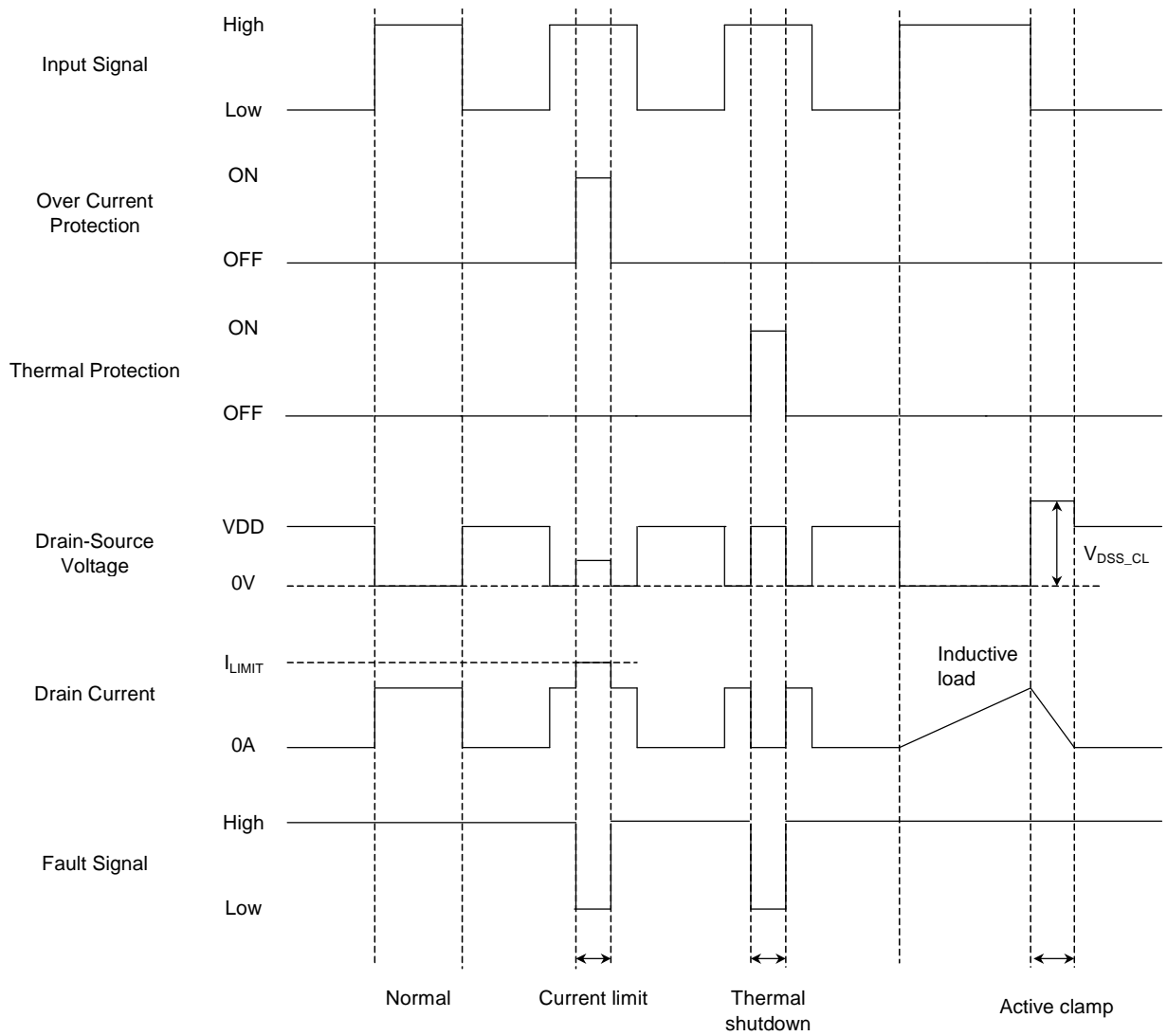
[B-version: Active-low]



[A-version: Active-high]

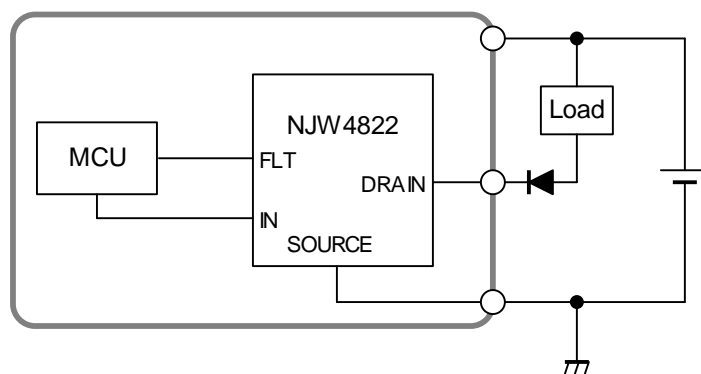


[B-version: Active-low]



# NJW4822

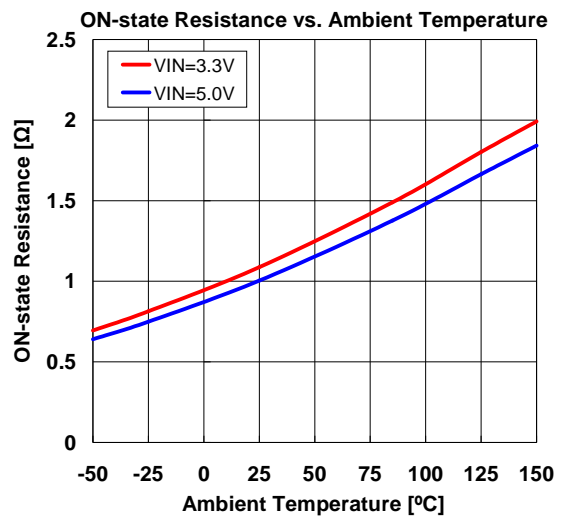
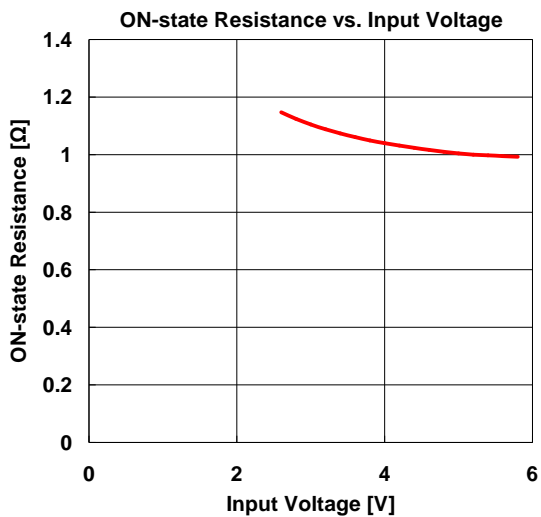
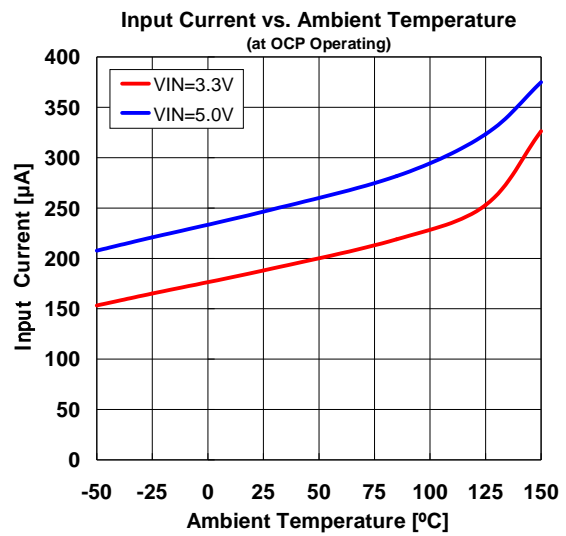
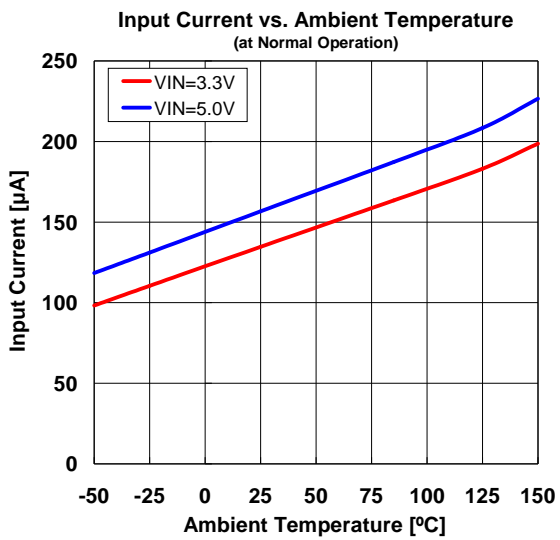
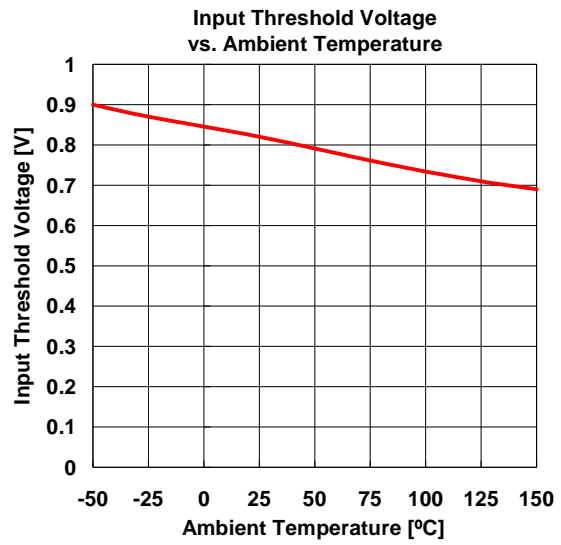
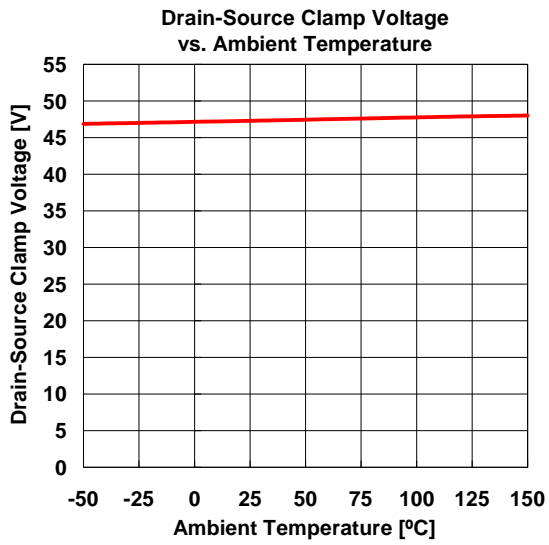
## ■ TYPICAL APPLICATION



You should insert a pull-up resistor when you connect the FLT pin with other power supplies etc.

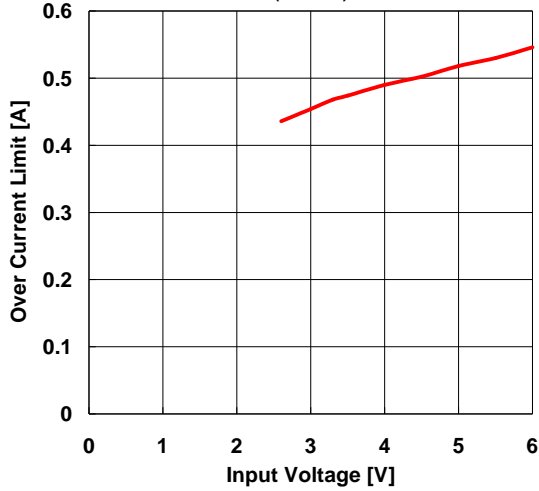


## ■ CHARACTERISTICS

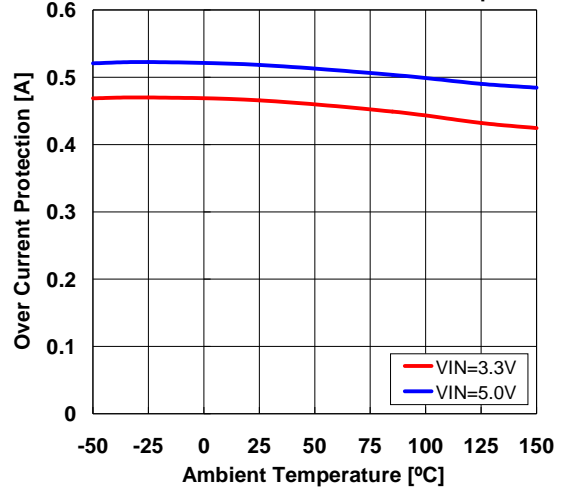


## CHARACTERISTICS

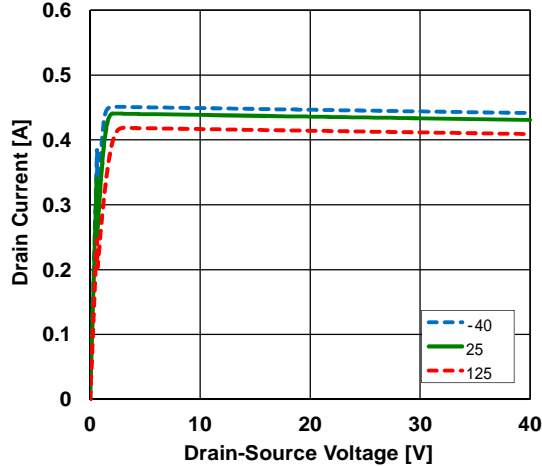
Over Current Protection vs. Input Voltage  
( $T_a=25^\circ\text{C}$ )



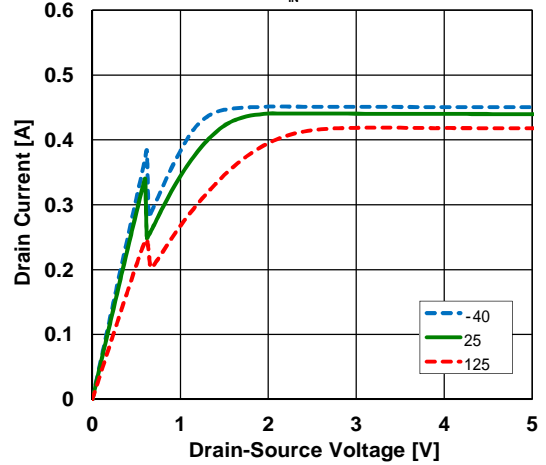
Over Current Protection vs. Ambient Temperature



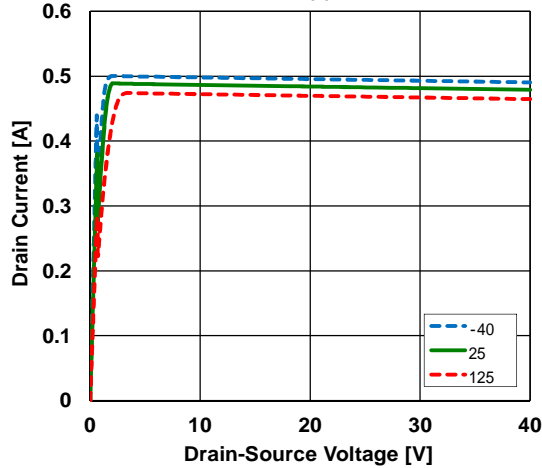
Drain Current vs. Drain-Source Voltage  
 $V_{IN}=3.3\text{V}$



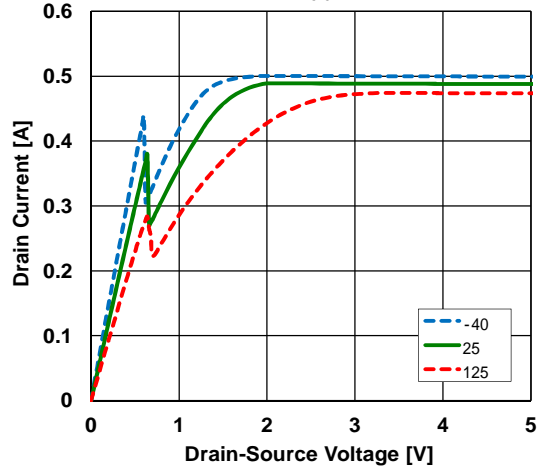
Drain Current vs. Drain-Source Voltage  
(Zoom-up)  
 $V_{IN}=3.3\text{V}$



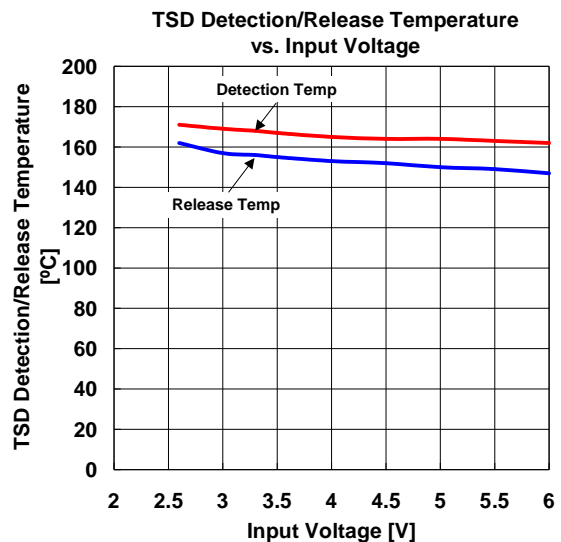
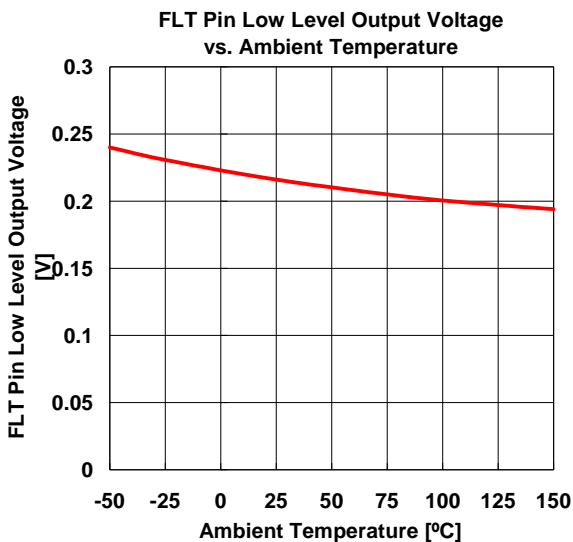
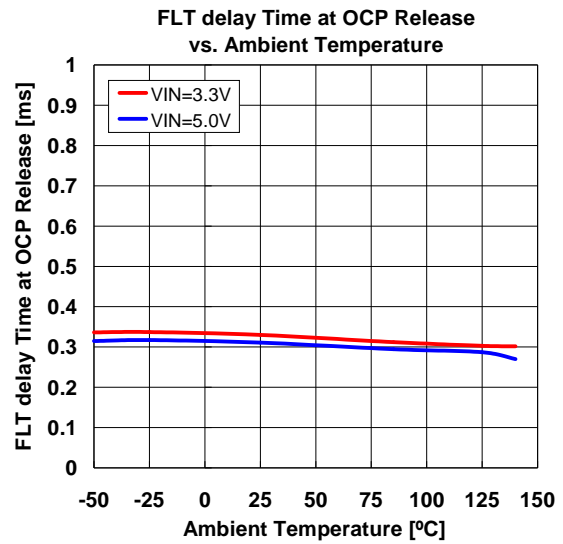
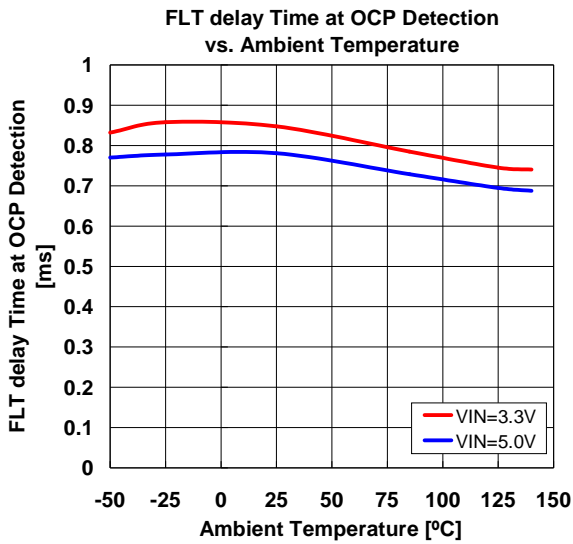
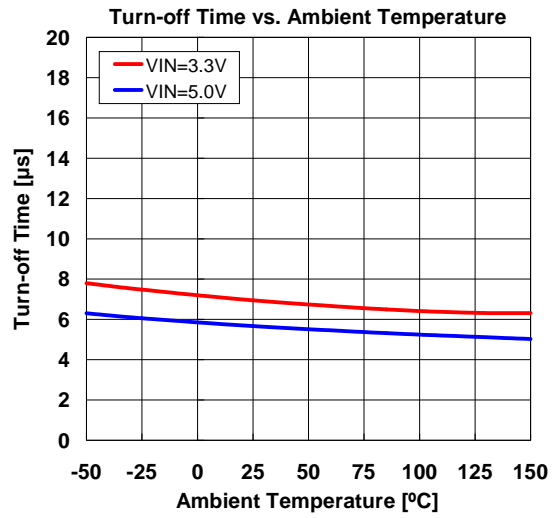
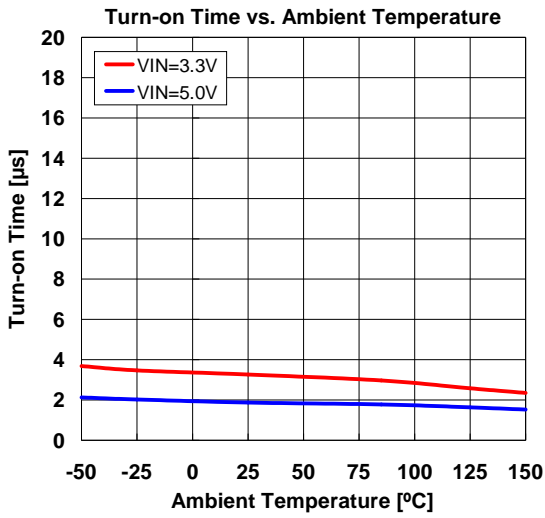
Drain Current vs. Drain-Source Voltage  
 $V_{IN}=5.0\text{V}$



Drain Current vs. Drain-Source Voltage  
(Zoom-up)  
 $V_{IN}=5.0\text{V}$



## CHARACTERISTICS



### ■ Regarding Active Clamp Capacity of High/Low side Switch Products

- What is “Active Clamp Capacity”.

The IC might suffer to damage by the inductive kickback at the transient time of ON state to OFF state, when an inductive load such as a solenoid or motor is used for the load of the high-side/low-side switch.

The protection circuit for the inductive kickback is the active clamp circuit. The energy that can be tolerated by the active clamp circuit is called "Active Clamp Capacity ( $E_{AS}$ )".

When using an inductive load to the high-side/low-side switch, you should design so that the  $E_{SW}$  does not exceed the active clamp capability.

- IC operation without an external protection parts (Fig 1)

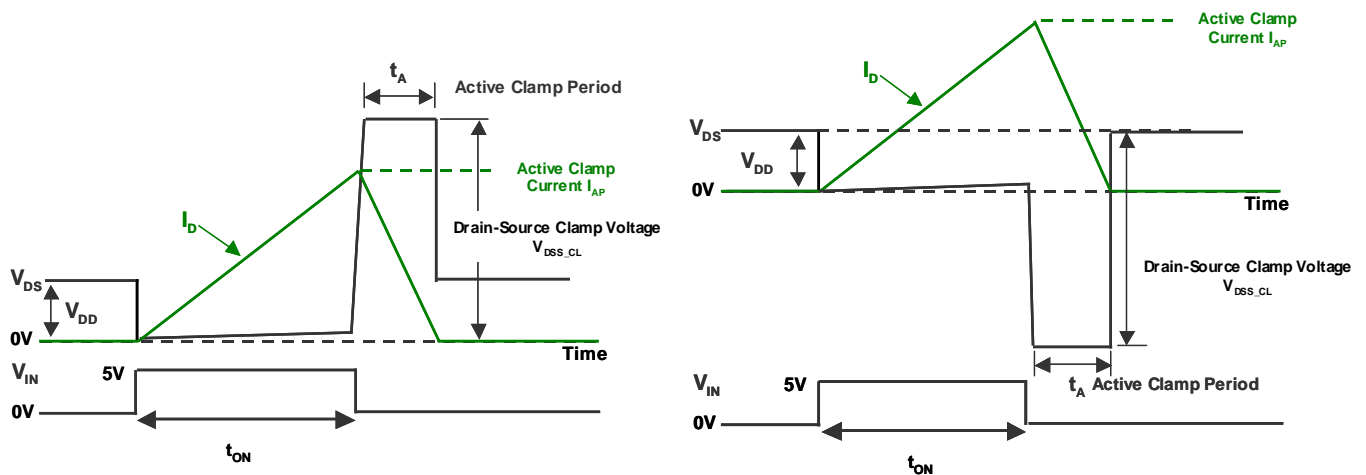


Fig1. Active Clamp Waveform (Left: Low-side Switch / Light High-side Switch)

At when the  $V_{IN}$  turns off, the drain-source voltage ( $V_{DS}$ ) increases rapidly by the behavior of the inductive load that is keeping current flowing. However, it will be clamped at  $V_{DSS\_CL}$  by the active clamp circuit. At the same time, the drain current is flowed by adjusting the gate voltage of the output transistor, and the energy is dissipated at the output transistor. The energy:  $E_{SW}$  is shown by the following formula.

$$E_{SW} = \int_0^{t_A} V_{DS}(t) \cdot I_D(t) dt = \frac{1}{2} L I_{AP}^2 \cdot \frac{V_{DSS\_CL}}{V_{DSS\_CL} - V_{DD}}$$

The  $E_{SW}$  is consumed inside IC as heat energy. However, the thermal shutdown does not work when the  $V_{IN}$  is 0V. Therefore in worst case the IC might break down. When using the active clamp, you should design  $E_{SW}$  does not exceed the  $E_{AS}$ .

- Application Hint

The simplest protection example is to add an external flywheel diode at the load to protect IC from an inductive kickback. (Fig.2)

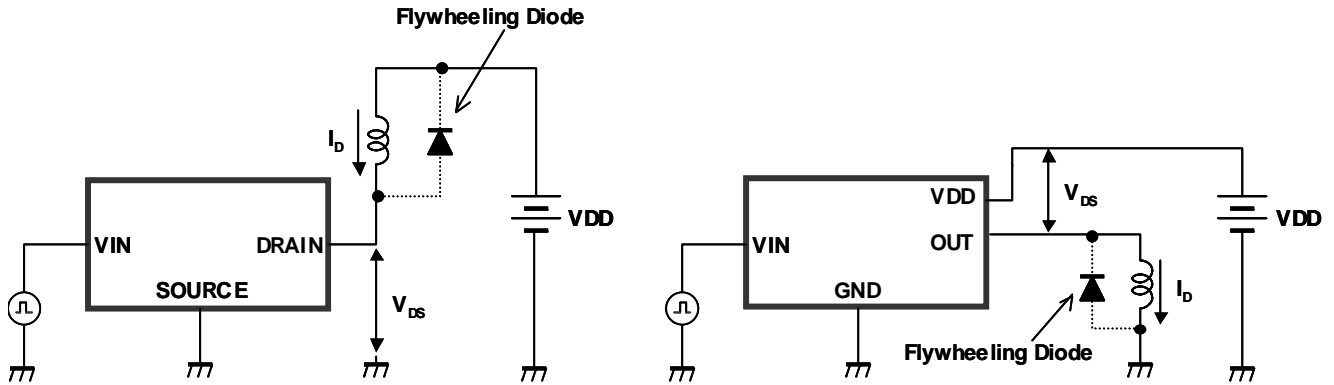


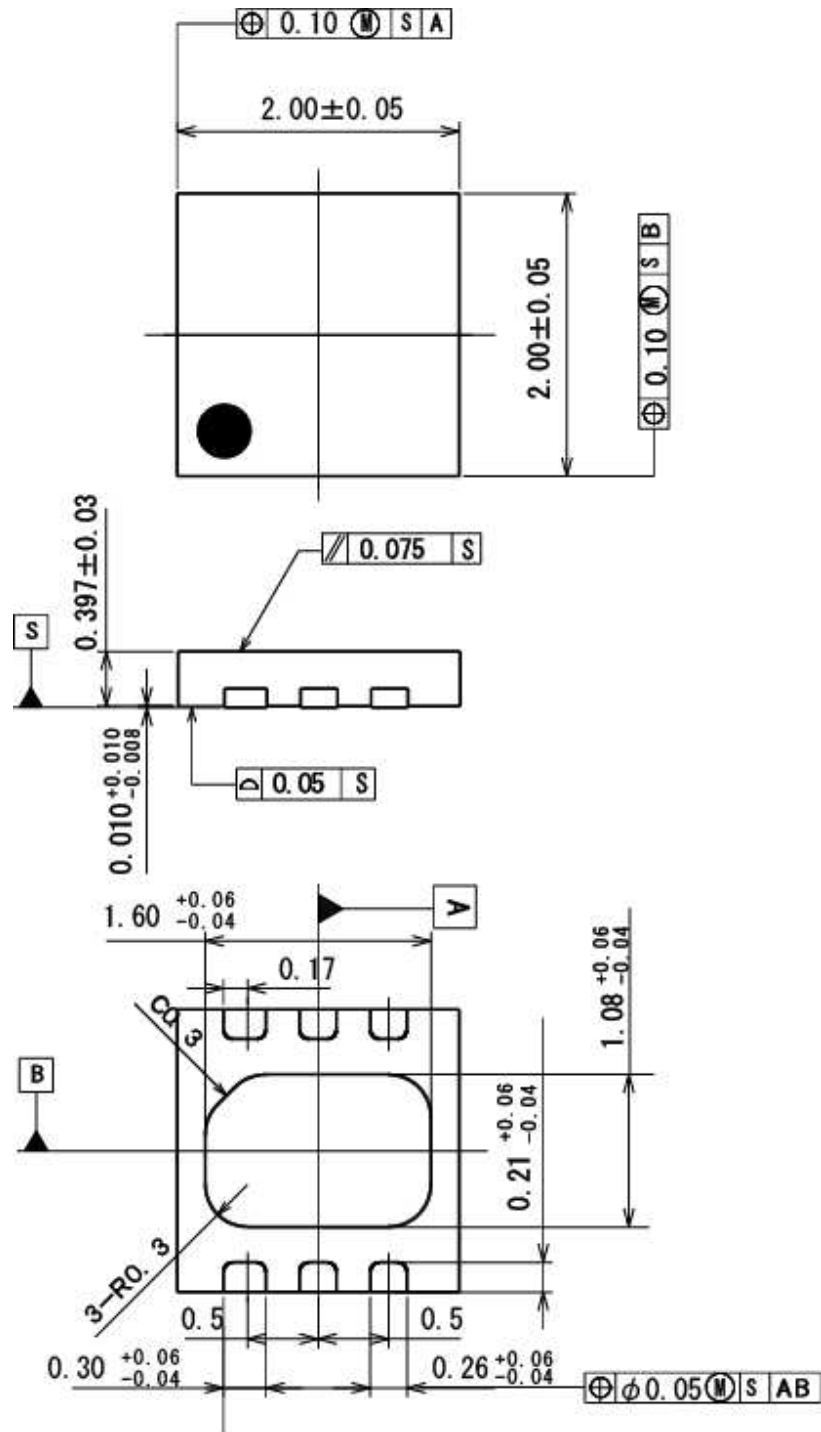
Fig 2. Application Circuit of Inductance Load Driving (Left: Low-side Switch / Light High-side Switch)

**[CAUTION]**

The specifications on this databook are only given for information, without any guarantee as regards either mistakes or omissions. The application circuits in this databook are described only to show representative usages of the product and not intended for the guarantee or permission of any right including the industrial rights.

# NJW4822

## ■ PACKAGE OUT LINE



GD-N00602A-0  
UNIT: mm

# Mouser Electronics

Authorized Distributor

Click to View Pricing, Inventory, Delivery & Lifecycle Information:

[NJR:](#)

[NJW4822KH1-A-TE3](#) [NJW4822KH1-B-TE3](#)

## Данный компонент на территории Российской Федерации

### Вы можете приобрести в компании MosChip.

Для оперативного оформления запроса Вам необходимо перейти по данной ссылке:

<http://moschip.ru/get-element>

Вы можете разместить у нас заказ для любого Вашего проекта, будь то серийное производство или разработка единичного прибора.

В нашем ассортименте представлены ведущие мировые производители активных и пассивных электронных компонентов.

Нашей специализацией является поставка электронной компонентной базы двойного назначения, продукции таких производителей как XILINX, Intel (ex.ALTERA), Vicor, Microchip, Texas Instruments, Analog Devices, Mini-Circuits, Amphenol, Glenair.

Сотрудничество с глобальными дистрибьюторами электронных компонентов, предоставляет возможность заказывать и получать с международных складов практически любой перечень компонентов в оптимальные для Вас сроки.

На всех этапах разработки и производства наши партнеры могут получить квалифицированную поддержку опытных инженеров.

Система менеджмента качества компании отвечает требованиям в соответствии с ГОСТ Р ИСО 9001, ГОСТ РВ 0015-002 и ЭС РД 009

### Офис по работе с юридическими лицами:

105318, г.Москва, ул.Щербаковская д.3, офис 1107, 1118, ДЦ «Щербаковский»

Телефон: +7 495 668-12-70 (многоканальный)

Факс: +7 495 668-12-70 (доб.304)

E-mail: [info@moschip.ru](mailto:info@moschip.ru)

Skype отдела продаж:

moschip.ru

moschip.ru\_4

moschip.ru\_6

moschip.ru\_9