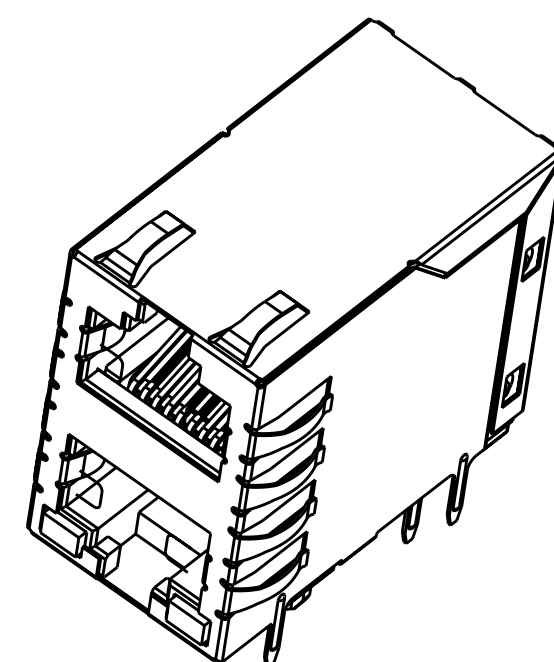
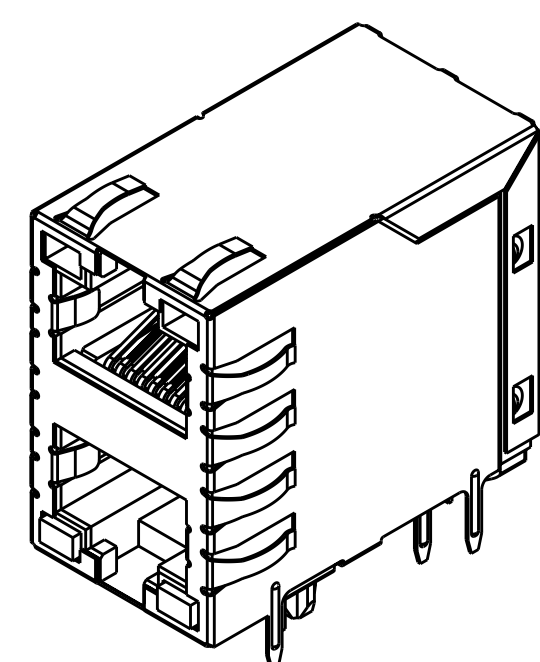
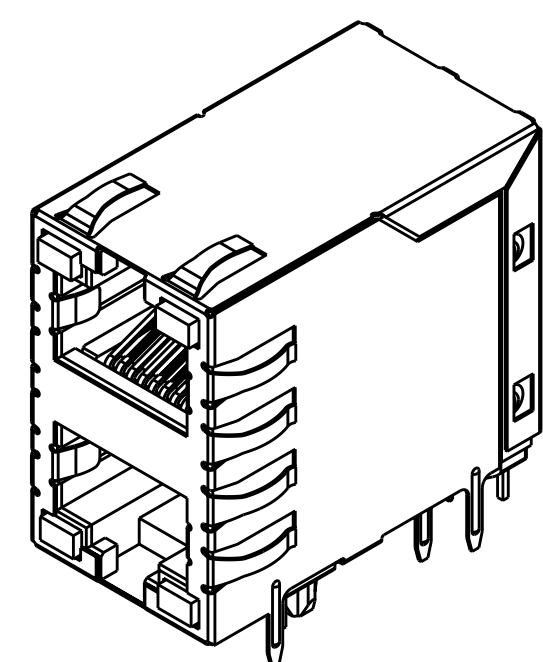
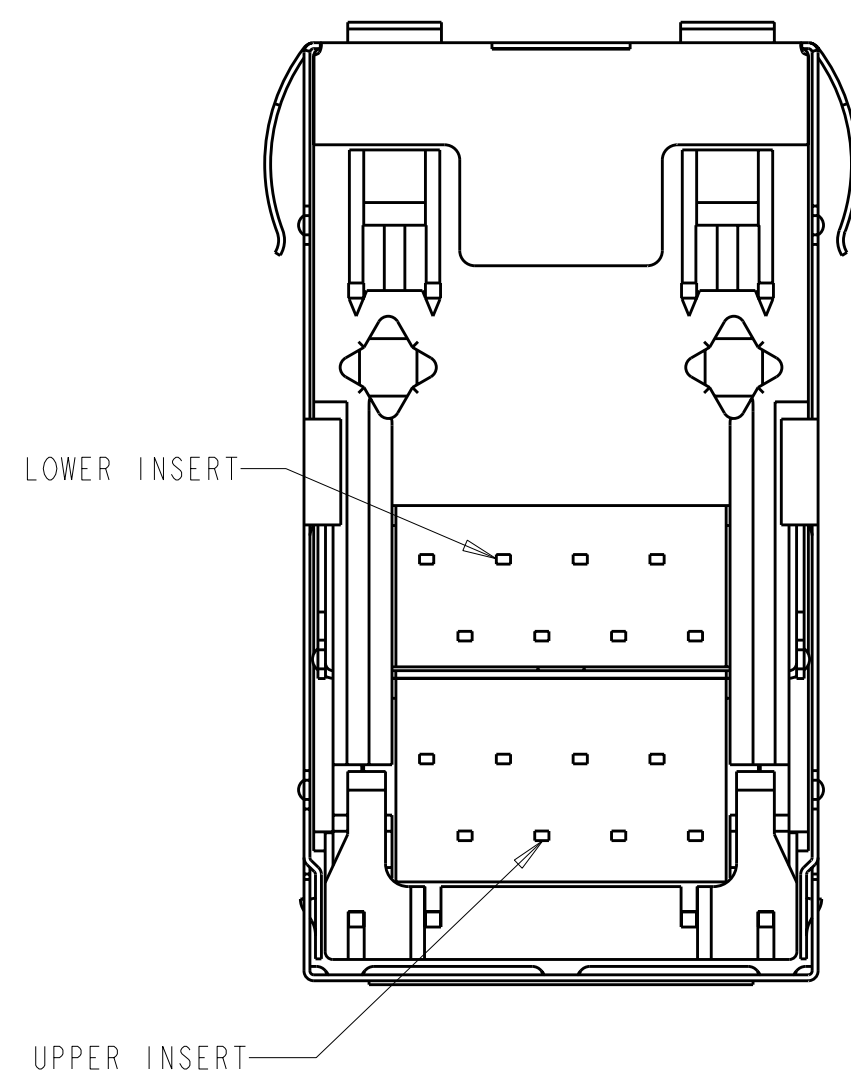


- MATERIAL: HOUSING - PBT POLYESTER, BLACK, UL 94V-0.  
TERMINALS - 0.33 THICK PHOSPHOR BRONZE PLATED WITH 1.27um MINIMUM THICK HARD GOLD IN LOCALIZED MATING INTERFACE AND 3.81um MINIMUM THICK MATTE TIN IN SOLDER AREA OVER 1.27um MINIMUM THICK NICKEL UNDERPLATE.  
SHIELD - 0.196 THICK COPPER ALLOY PLATED WITH 1.27 um [0.00050] MINIMUM NICKEL AND 2.03 um [0.00080] MINIMUM HOT TIN DIP ON PCB GROUND TABS..  
LIGHT EMITTING DIODE (LED) - DIFFUSED EPOXY LENS, 0.51 X 0.51 CARBON STEEL WIREFRAME LEADS PREPLATED WITH 8.89 um THICK Sn/Cu OVER 2.03 um THICK Ag OVER 1.02 THICK Cu OVER 3.56 um THICK Ni OVER 1.02 um Cu UNDERPLATE

- JACK CAVITY CONFORMS TO FCC RULES AND REGULATIONS, PART 68 SUBPART F.
- SUGGESTED OPERATING CURRENT FOR THE LED IS 20mA. GREEN/ORANGE BI-COLOR LEDS ON 6368011-4 AND 1-6368011-0 WILL EMIT GREEN LIGHT ON FORWARD BIAS CURRENT AND ORANGE LIGHT ON REVERSE BIAS CURRENT. GREEN/RED BI-COLOR LEDS ON 6368011-9 AND 1-6368011-0 WILL EMIT GREEN LIGHT ON FORWARD BIAS CURRENT AND RED LIGHT ON REVERSE BIAS CURRENT. GREEN/YEL BI-COLOR LEDS ON 1-6368011-1 WILL EMIT GREEN LIGHT ON FORWARD BIAS CURRENT AND YELLOW LIGHT ON REVERSE BIAS CURRENT.
- THIS MODULAR JACK WITH INTEGRATED LED IS NOT IR REFLOW SOLDERING PROCESS COMPATIBLE.
- USE NO. 30 DRILL BIT OR 3.25mm DRILL BIT WHEN PRODUCING THESE PCB HOLES.
- HM-15 LUBE APPLIED TO THE GOLD PLATED AREA OF THE TERMINALS ON 6368011-8 ONLY.
- DATE CODE LOCATED ON REAR OF PART APPROX AS SHOWN: FIRST 2 DIGITS ARE LAST 2 DIGITS OF YEAR, SECOND 2 DIGITS ARE MANUFACTURING WORK WEEK, LAST DIGIT IS DAY OF WEEK, WITH SUNDAY=1.
- THE PART NUMBER IS PRELIMINARY.
- OBSOLETE PARTS: OBSOLETE CIS STREAMLINING PER D.RENAUD/D.SINISI
- GROUND PIN AND ALL SIGNAL PINs' LENGTH SHOULD BE 4.06 MM EXCEPT OUTER SHIELD THIS REQUEST IS ONLY FOR PART 1-6368011-4



9 OBSOLETE

9 OBSOLETE

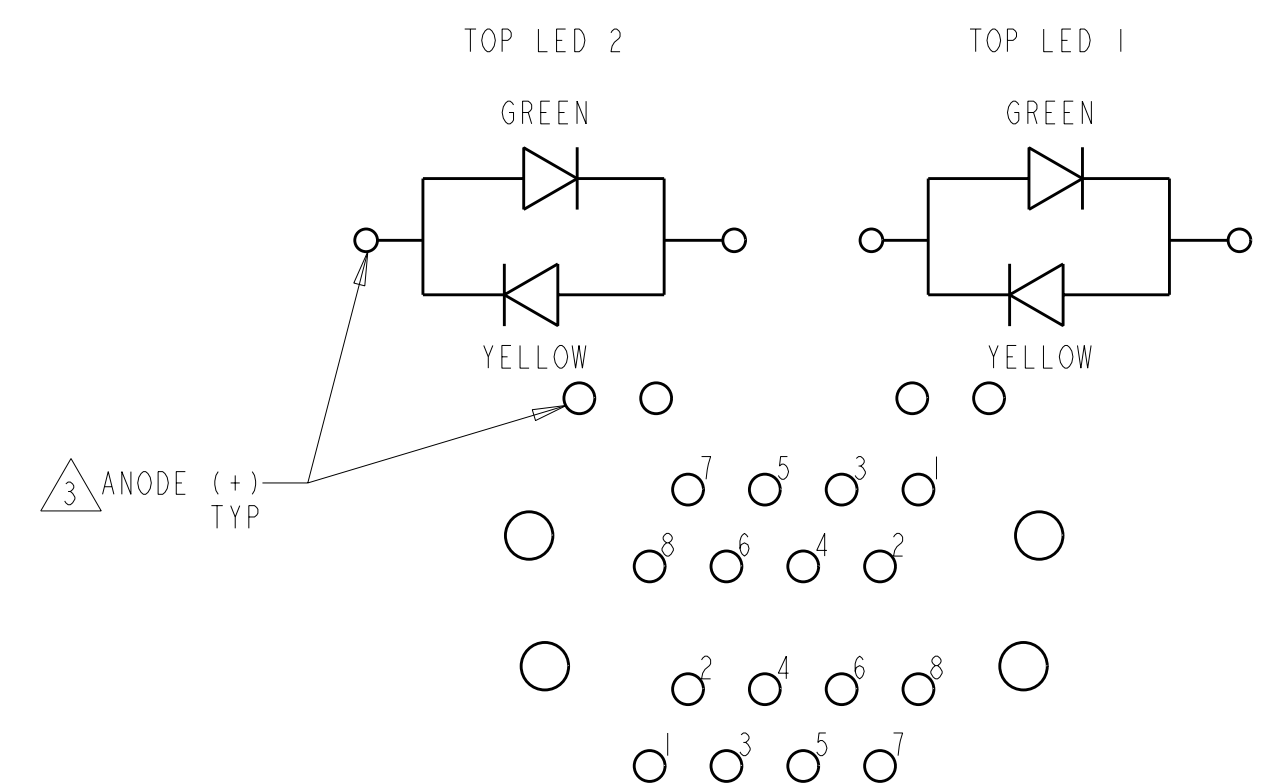
3.44 MAX	GREEN	GREEN	GREEN	GREEN	1-6368011-5
4.14	GREEN	YELLOW	GREEN	YELLOW	1-6368011-4
4.14	GREEN	YELLOW	N/A	N/A	1-6368011-3/8
4.14	GREEN/YELLOW	GREEN/YELLOW	GREEN/YELLOW	GREEN/YELLOW	1-6368011-0
4.14	GREEN/ORANGE	GREEN/ORANGE	GREEN/RED	GREEN/RED	1-6368011-1
4.14	GREEN/RED	GREEN/RED	GREEN/RED	GREEN/RED	6368011-9
4.14	YELLOW	GREEN	YELLOW	GREEN	6368011-8/6
4.14	GREEN	ORANGE	N/A	N/A	6368011-7
4.14	GREEN	GREEN	YELLOW	GREEN	6368011-6
4.14	YELLOW	GREEN	YELLOW	GREEN	6368011-5
4.14	GREEN/ORANGE	GREEN/ORANGE	GREEN/ORANGE	GREEN/ORANGE	6368011-4
4.14	GREEN	YELLOW	GREEN	YELLOW	6368011-3
4.14	YELLOW	GREEN	GREEN	YELLOW	6368011-2
4.14	GREEN	GREEN	GREEN	GREEN	6368011-1
DIM A	BOTTOM LED NO. 2	BOTTOM LED NO. 1	TOP LED NO. 2	TOP LED NO. 1	PART NUMBER

DWN 13APR2005  
Vic Slack/L.A.MAYER  
CHK 13APR2005  
J.WESTMAN  
APVD 13APR2005  
S.FLICKINGER  
NAME MODULAR JACK ASSEMBLY, STACKED,  
2 X 1, 8 POSITION, SHIELDED,  
SCALE 1:1  
SIZE A1  
DRAWING NO. 6368011  
SHEET 1 OF 3  
REV J

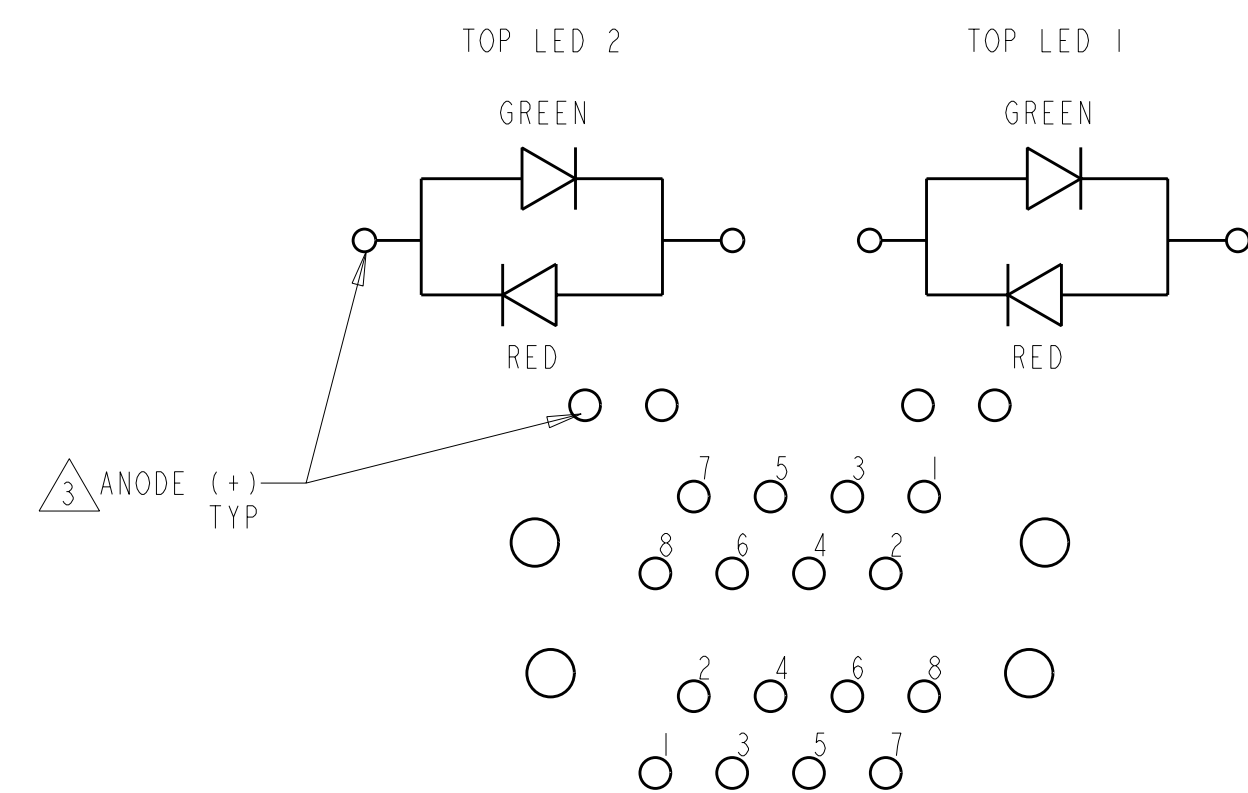
MATERIAL SEE NOTE 1  
HEAT TREAT -  
TE Connectivity

P	LTR	REVISION RECORD	DATE	DWN	APVD
			13JAN2012	JJ	AC

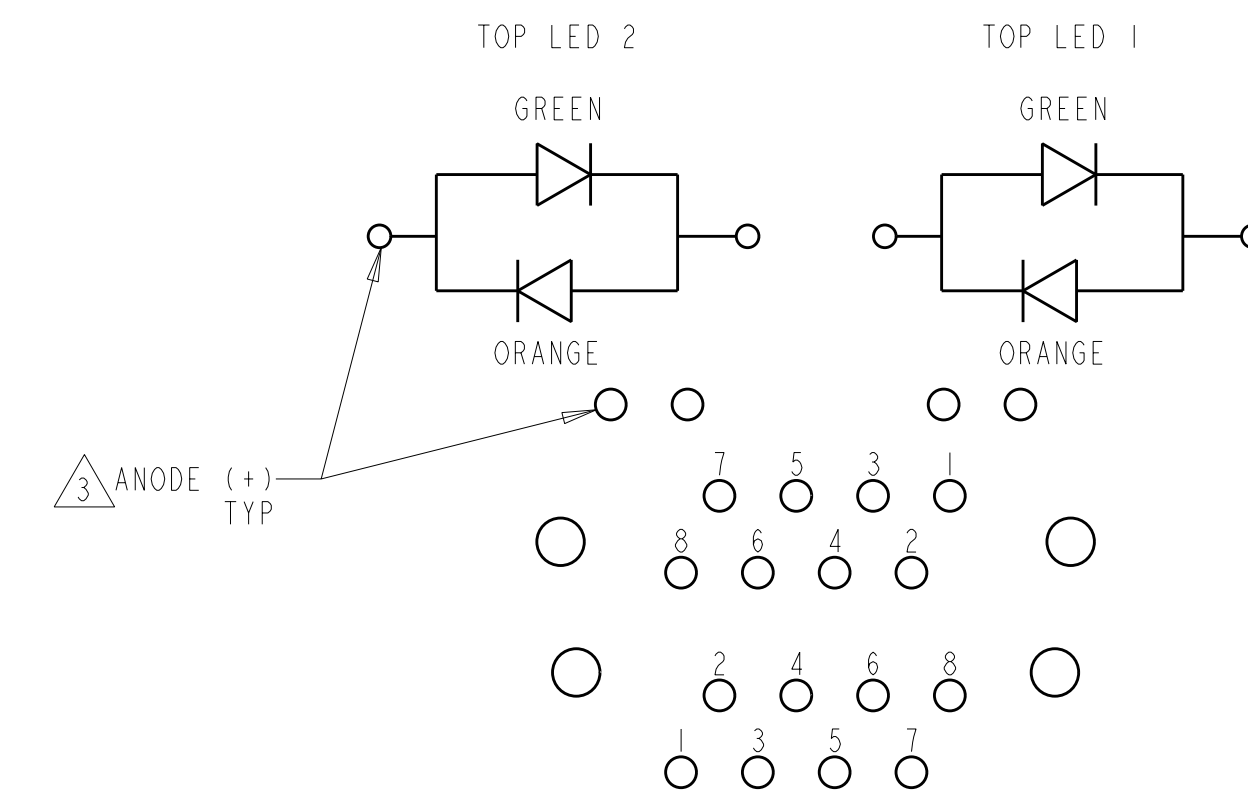
DIMENSIONS: mm  
TOLERANCES UNLESS OTHERWISE SPECIFIED:  
0 PLC ±  
1 PLC ±  
2 PLC ±0.25  
3 PLC ±0.25  
4 PLC ±  
ANGLES: -  
SURFACE TEXTURE: ✓



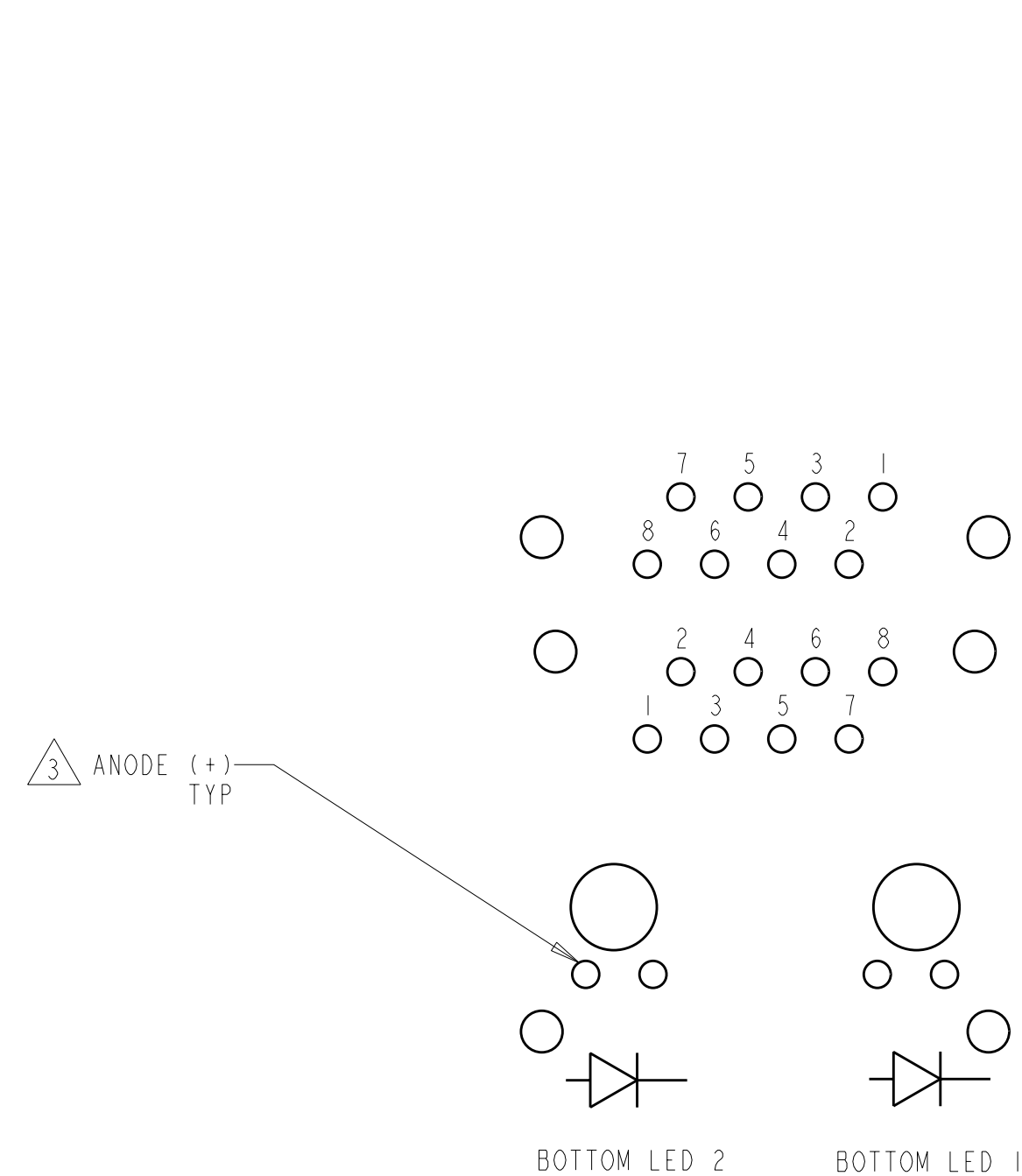
SCHEMATIC FOR 1-6368011-1  
SCALE 4:1



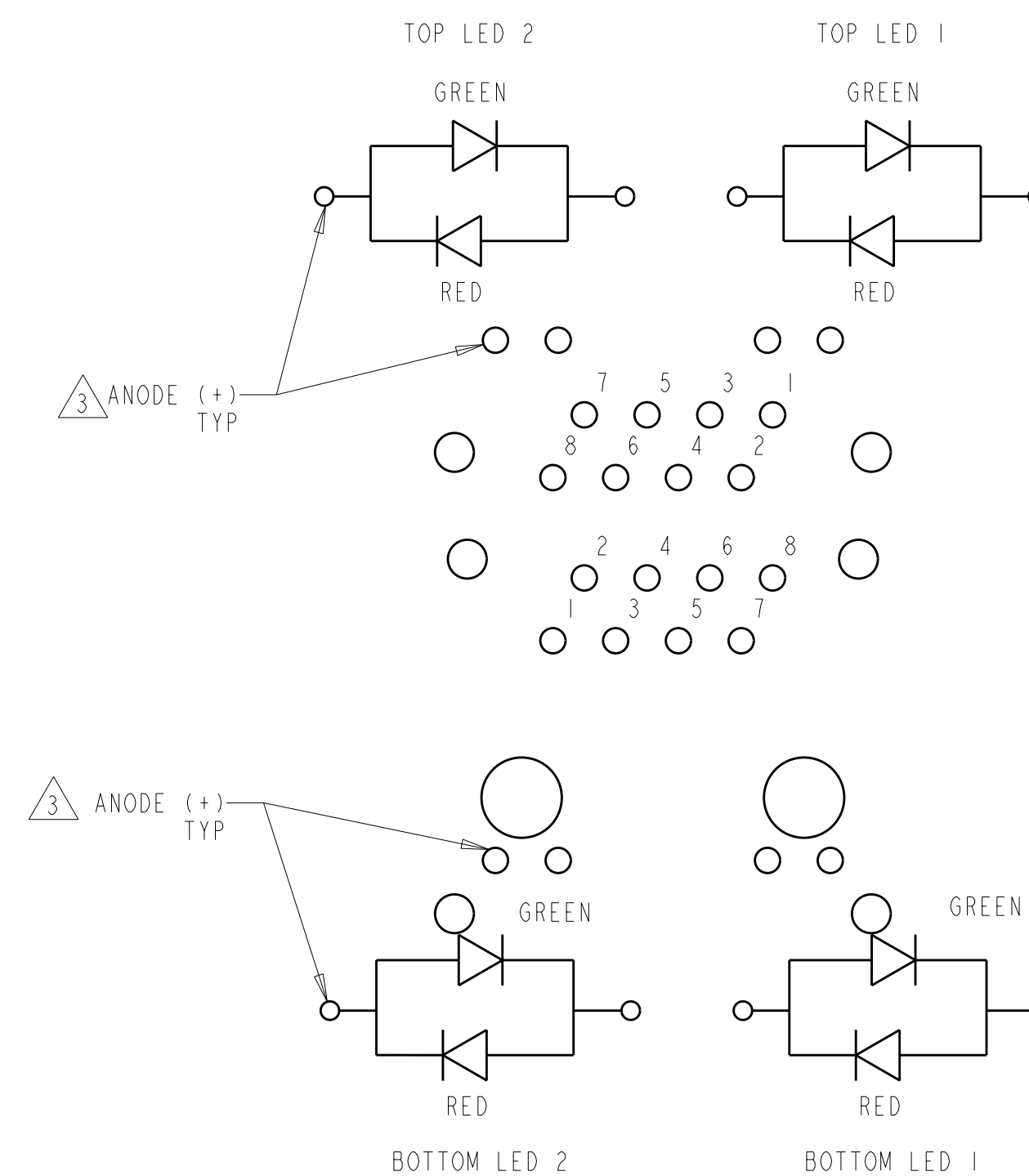
SCHEMATIC FOR 1-6368011-0  
SCALE 4:1



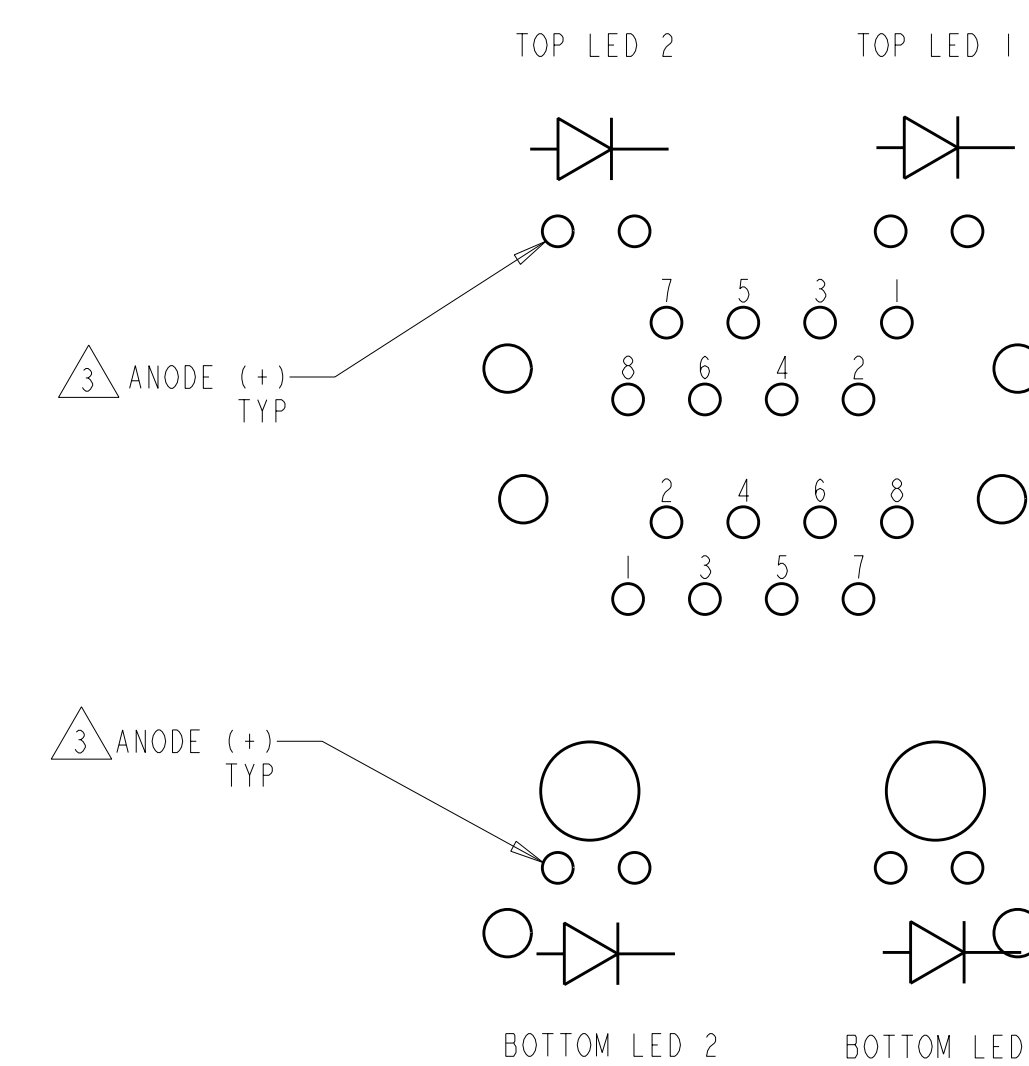
SCHEMATIC FOR 6368011-4  
SCALE 4:1



SCHEMATIC FOR 6368011-7, 1-6368011-3



SCHEMATIC FOR 6368011-9  
SCALE 4:1



SCHEMATIC FOR 6368011-1, -2, -3, -5, -6, -8, 14  
SCALE 4:1

LOC	AA
DIST	22

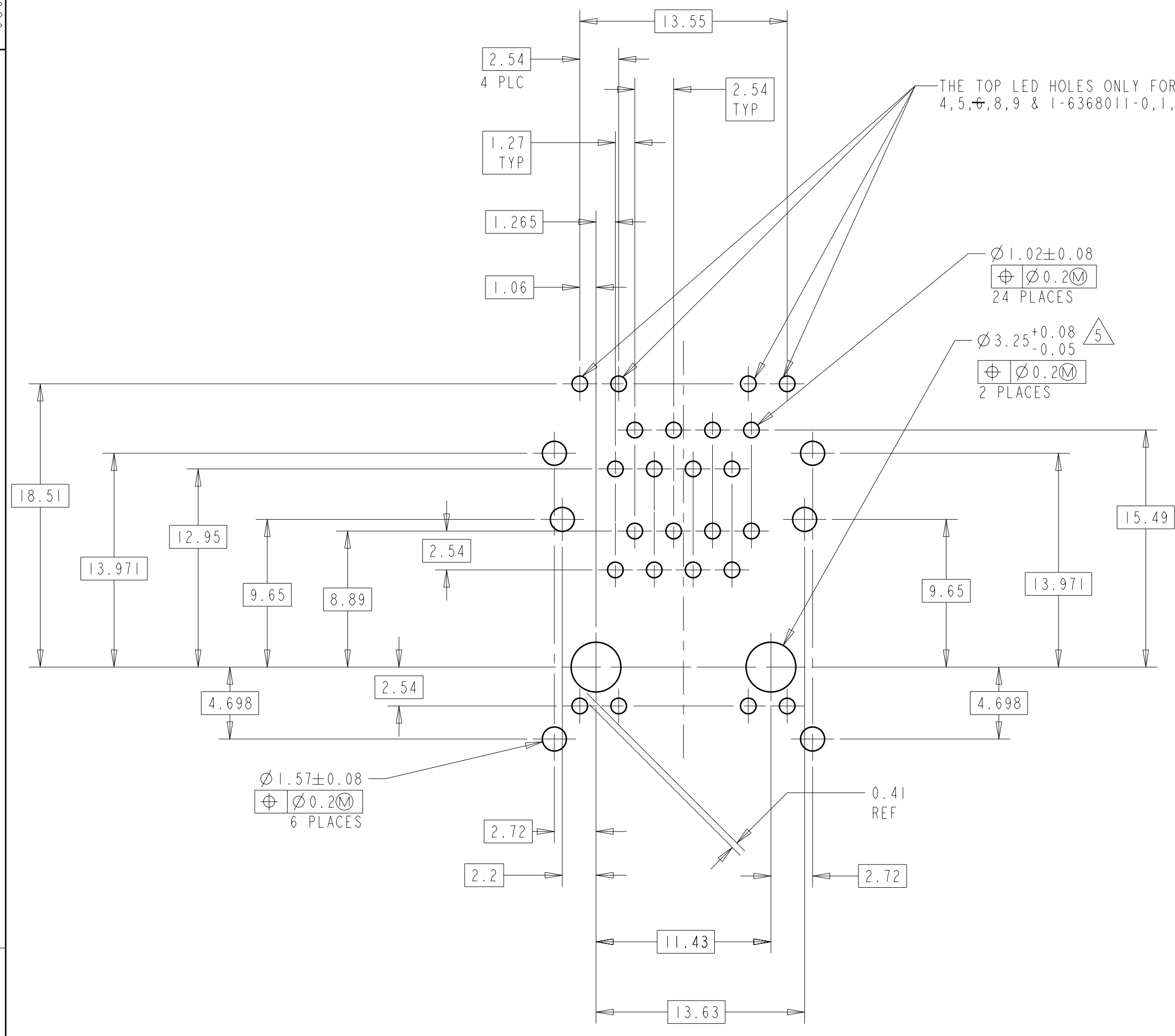
P	LTR	REVISION RECORD	DATE	DNW	APVD
1		SEE SHEET 1			

DIMENSIONS: mm		TOLERANCES UNLESS OTHERWISE SPECIFIED:	
0 PLC	±	1 PLC	±
1 PLC	±	2 PLC	±0.25
2 PLC	±	3 PLC	±0.25
3 PLC	±	4 PLC	±
ANGLES:		SURFACE TEXTURE	

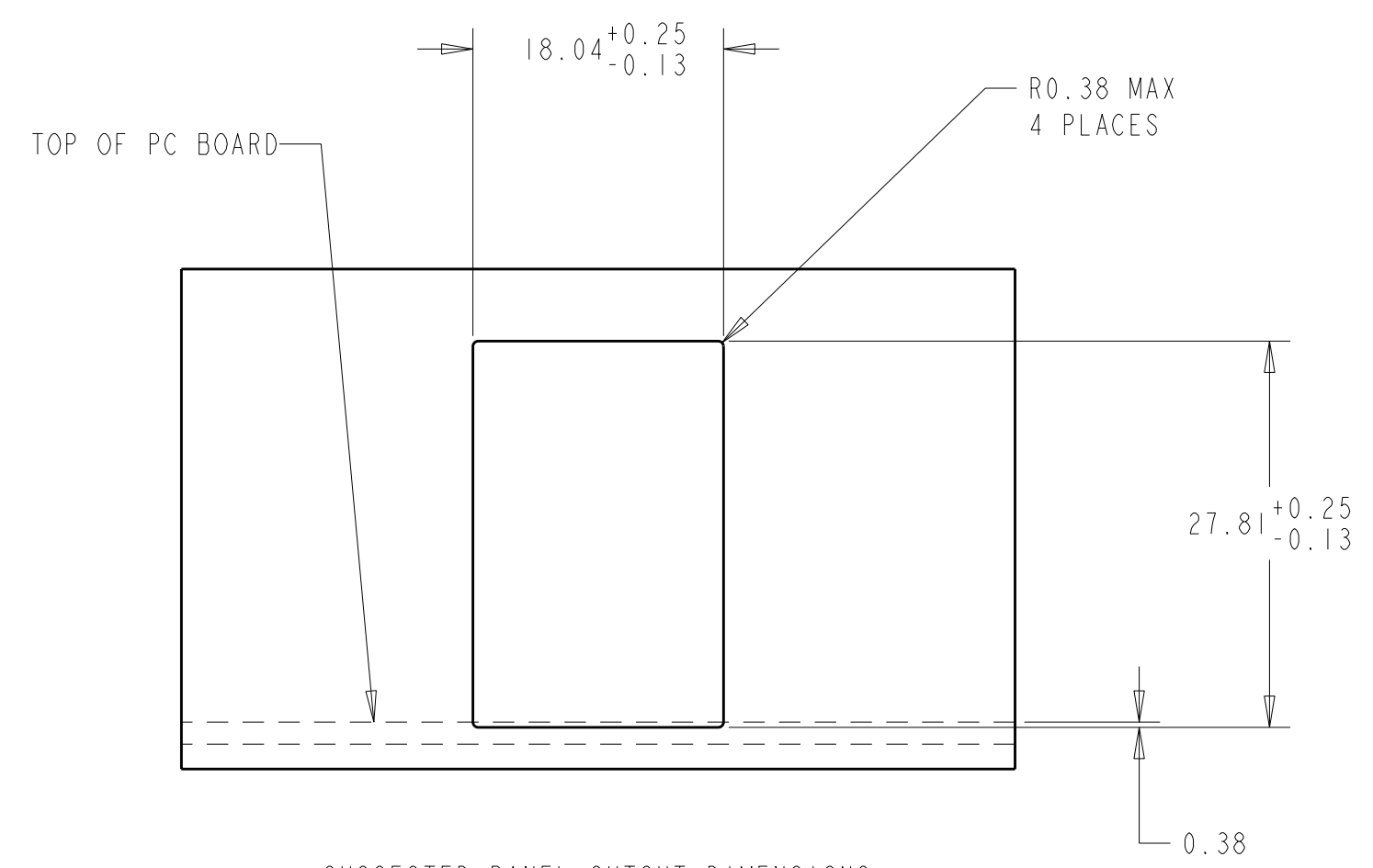
DNW	13APR2005	MATERIAL	SEE NOTE 1	HEAT TREAT	-
CHK	13APR2005	Vic Slack/L.A.MAYER			
APVD	13APR2005	J.WESTMAN			
S.FLICKINGER					
NAME					
SCALE		DRAWING NO		SHEET	
1:1		6368011		2 of 3	

DWG NO  
6368011

THIS DRAWING IS A CONTROLLED DOCUMENT



PC BOARD LAYOUT VIEWED FROM COMPONENT SIDE OF BOARD  
SCALE 4:1



SUGGESTED PANEL CUTOUT DIMENSIONS  
SCALE 2:1

THIS INFORMATION IS CONFIDENTIAL AND PROPRIETARY TO TEO ELECTRONICS CORPORATION. IT IS TO BE DISCLOSED TO ANYONE OTHER THAN THE PERSONNEL, WITHOUT AUTHORIZATION FROM TE CONNECTIVITY.

LOC	AA
DIST	22

P	LTR	REVISION RECORD	DATE	DWN	APVD
-	-	SEE SHEET 1	-	-	-

DIMENSIONS:		TOLERANCES UNLESS OTHERWISE SPECIFIED:	
mm	0 PLC ±	1 PLC ±	2 PLC ±
	3 PLC ±0.25	4 PLC ±	
ANGLES:	SURFACE TEXTURE		
	√		

DWN	13APR2005	MATERIAL	SEE NOTE 1	HEAT TREAT	-
CHK	Vic Slack/L.A.MAYER				
APVD	13APR2005				
	J.WESTMAN				
	S.FLICKINGER				
NAME MODULAR JACK ASSEMBLY, STACKED, 2 X 1, 8 POSITION, SHIELDED,					
SCALE	1:1	SIZE	A1	DRAWING NO	6368011
SHEET	3	OF	3	REV	J



## Данный компонент на территории Российской Федерации

### Вы можете приобрести в компании MosChip.

Для оперативного оформления запроса Вам необходимо перейти по данной ссылке:

<http://moschip.ru/get-element>

Вы можете разместить у нас заказ для любого Вашего проекта, будь то серийное производство или разработка единичного прибора.

В нашем ассортименте представлены ведущие мировые производители активных и пассивных электронных компонентов.

Нашей специализацией является поставка электронной компонентной базы двойного назначения, продукции таких производителей как XILINX, Intel (ex.ALTERA), Vicor, Microchip, Texas Instruments, Analog Devices, Mini-Circuits, Amphenol, Glenair.

Сотрудничество с глобальными дистрибьюторами электронных компонентов, предоставляет возможность заказывать и получать с международных складов практически любой перечень компонентов в оптимальные для Вас сроки.

На всех этапах разработки и производства наши партнеры могут получить квалифицированную поддержку опытных инженеров.

Система менеджмента качества компании отвечает требованиям в соответствии с ГОСТ Р ИСО 9001, ГОСТ РВ 0015-002 и ЭС РД 009

### Офис по работе с юридическими лицами:

105318, г.Москва, ул.Щербаковская д.3, офис 1107, 1118, ДЦ «Щербаковский»

Телефон: +7 495 668-12-70 (многоканальный)

Факс: +7 495 668-12-70 (доб.304)

E-mail: [info@moschip.ru](mailto:info@moschip.ru)

Skype отдела продаж:

moschip.ru

moschip.ru\_4

moschip.ru\_6

moschip.ru\_9