

Description

The ZXRE330 is a low knee current 3.3V voltage reference. Offering tight tolerances and sharp knee characteristics – consuming only 1µA when the 3.3V reference voltage can no longer be maintained.

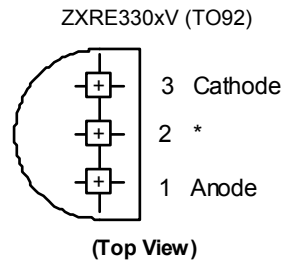
Excellent performance is maintained over the 1µA to 5mA operating current range. The device has been designed to be highly tolerant of capacitive loads so maintaining excellent stability.

It's available in small outline SOT23 and TO92 packages This device offers a pin for pin compatible alternative to industry standard shunt voltage reference.

Pin Assignments



* Pin 1 must be left floating or connected to pin 2



* Pin 2 must be left floating or connected to pin 1

Features

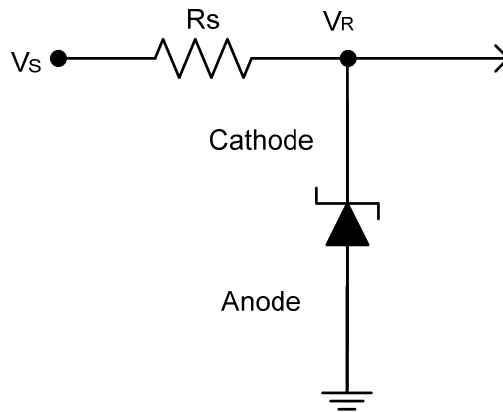
- Small packages: SOT23 & TO92
- No output capacitor required
- Output voltage tolerance
- ZXRE330E ±2% at +25°C
- ZXRE330A ±0.5% at +25°C
- Low output noise
 - (10Hz to 10 kHz)..... 55µV_{RMS}
- Wide operating current range 1µA to 5mA
- Extended temperature range -40°C to +85°C
- Low temperature coefficient 20ppm/°C (Typ)
- **Totally Lead-Free & Fully RoHS Compliant (Notes 1 & 2)**
- **Halogen and Antimony Free. "Green" Device (Note 3)**

Applications

- Battery powered equipment
- Precision power supplies
- Portable instrumentation
- Portable communications devices
- Notebook and palmtop computers
- Data acquisition systems
- Low current voltage clamps

Notes: 1. No purposely added lead. Fully EU Directive 2002/95/EC (RoHS) & 2011/65/EU (RoHS 2) compliant.
 2. See http://www.diodes.com/quality/lead_free.html for more information about Diodes Incorporated's definitions of Halogen- and Antimony-free, "Green" and Lead-free.
 3. Halogen- and Antimony-free "Green" products are defined as those which contain <900ppm bromine, <900ppm chlorine (<1500ppm total Br + Cl) and <1000ppm antimony compounds.

Typical Applications Circuit



Absolute Maximum Ratings (@ $T_A = +25^\circ\text{C}$, unless otherwise specified.) (Voltages to GND Unless Otherwise Stated)

| Parameter | Rating | Unit |
|--------------------------------|-------------|------------------|
| Continuous Reverse Current | 10 | mA |
| Continuous Forward Current | 10 | mA |
| Operating Junction Temperature | -40 to +150 | $^\circ\text{C}$ |
| Storage Temperature | -65 to +150 | $^\circ\text{C}$ |

Note: 4. Operation above the absolute maximum rating may cause device failure. Operation at the absolute maximum rating, for extended periods, may reduce device reliability. Unless otherwise stated voltages specified are relative to the ANODE pin.

Package Thermal Data

| Package | θ_{JA} | P_{DIS} |
|---------|-------------------------------|---------------------------------------------------------|
| | | $T_{AMB} = +25^\circ\text{C}, T_J = +150^\circ\text{C}$ |
| SOT23 | 415 $^\circ\text{C}/\text{W}$ | 300mW |
| TO92 | 180 $^\circ\text{C}/\text{W}$ | 700mW |

Recommended Operating Conditions (@ $T_A = +25^\circ\text{C}$, unless otherwise specified.)

| Parameter | Min. | Max. | Units |
|-------------------------------------|-------|------|------------------|
| Reverse Current | 0.002 | 5 | mA |
| Operating Ambient Temperature Range | -40 | +85 | $^\circ\text{C}$ |

Electrical Characteristics (@T_A = +25°C, unless otherwise specified.)

| Symbol | Parameter | Conditions | | Typ. | E Limits | Units | |
|---------------------|-----------------------------------------------------------|----------------------------------------------------------------------|------------------|----------|----------|-------------------|----|
| | | | T _{AMB} | | | | |
| V _{REF} | Reverse breakdown voltage | I _R = 100μA | +25°C | 3.3 | — | V | |
| | Reverse breakdown voltage tolerance | I _R = 100μA | +25°C | ZXRE330A | — | ±16.5 | mV |
| | | | | ZXRE330E | | ±66 | |
| | | | -40 to +85°C | | ±99 | | |
| I _{ROFF} | Off state reverse current | V = V _{REF} * 0.9 | +25°C | 0.5 | — | μA | |
| | | | -40 to +85°C | — | 1 | | |
| ΔV _R /ΔT | Average reverse breakdown voltage temperature coefficient | I _R = 5mA | -40 to +85°C | ±20 | — | — | |
| | | I _R = 100μA | | ±15 | ±150 | ppm/°C | |
| | | I _R = 10μA | | ±15 | — | — | |
| ΔV _R | Reverse breakdown change with current | 2μA < I _R < 100μA | 25°C | 0.2 | — | mV | |
| | | | -40 to +85°C | — | 0.6 | | |
| | | 100μA < I _R < 5mA | 25°C | 10 | — | | |
| | | | -40 to +85°C | — | 20 | | |
| I _{RMIN} | Minimal Operating Current | — | | 1 | 2 | μA | |
| Z _R | Dynamic output impedance | I _R = 2mA, f = 120Hz, I _{AC} = 0.1I _R | | 2 | — | Ω | |
| e _n | Noise voltage | I _R = 100μA 10Hz < f < 10kHz | | 55 | — | μV _{RMS} | |
| V _R | Long term stability (non cumulative) | t = 1000Hrs, I _R = 100μA | | — | — | ppm | |
| V _{HYST} | Thermal hysteresis | ΔT = -40°C to +85°C | | 0.08 | — | % | |

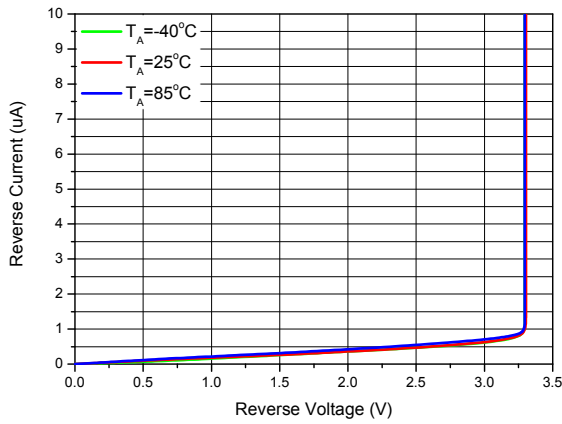
Typical Characteristics



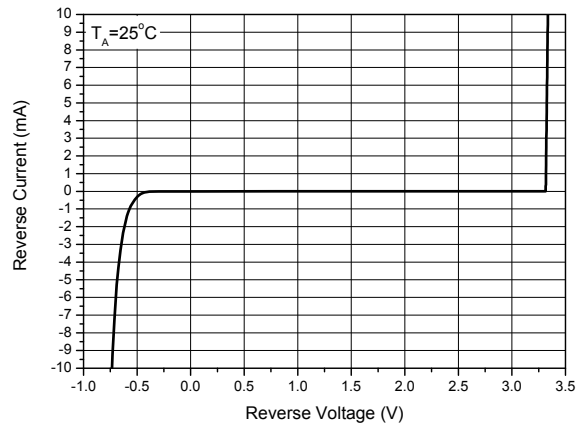
Reverse Breakdown Voltage Temperature Coefficient



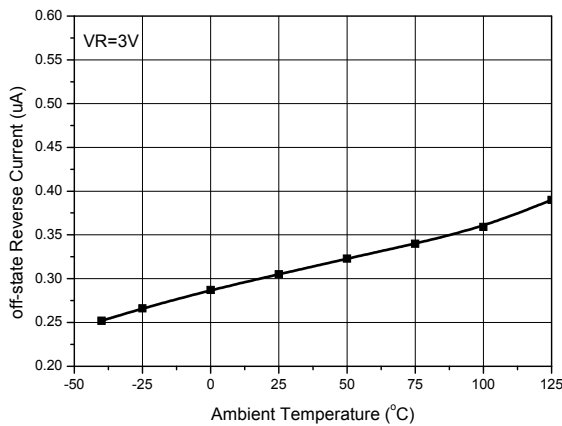
Reverse Breakdown Voltage Temperature Coefficient



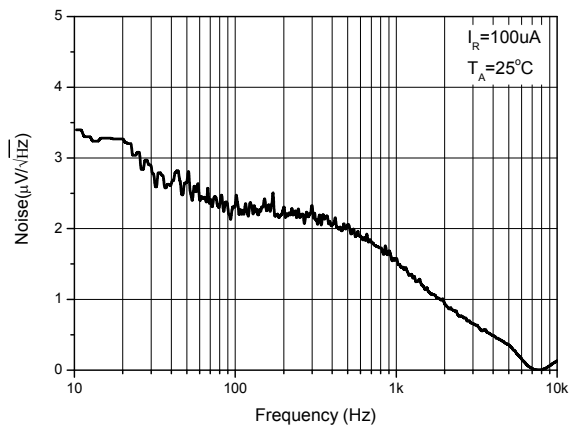
Minimal Operating Current



Reverse Current vs. Reverse Voltage



Off-state Reverse Current vs. Temperature



Noise Voltage vs. Frequency

Start Up Characteristics ZXRE330



$I_R=100\mu A$, No Load Capacitor



$I_R=5mA$, No Load Capacitor

Application Information

In a conventional shunt regulator application (Figure 1), an external series resistor (R_S) is connected between the supply voltage, V_S , and the ZXRE330.



R_S determines the current that flows through the load (I_L) and the ZXRE330 (I_R). Since load current and supply voltage may vary, R_S should be small enough to supply at least the minimum acceptable I_R to the ZXRE330 even when the supply voltage is at its minimum and the load current is at its maximum value. When the supply voltage is at its maximum and I_L is at its minimum, R_S should be large enough so that the current flowing through the ZXRE330 is less than 10 mA.

R_S is determined by the supply voltage, (V_S), the load and operating current, (I_L and I_R), and the ZXRE330's reverse breakdown voltage, V_R .

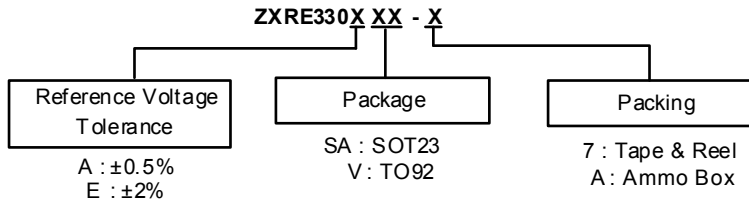
$$R_S = \frac{V_S - V_R}{I_L + I_R}$$

Printed circuit board layout considerations

ZXRE330 in the SOT23 package have the die attached to pin 1, which results in an electrical contact between pin 2 and pin 3. Therefore, pin 1 of the SOT23 package must be left floating or connected to pin 2.

ZXRE330 in the TO92 package have the die attached to pin 2, which results in an electrical contact between pin 2 and pin 1. Therefore, pin 2 must be left floating or connected to pin 1.

Ordering Information



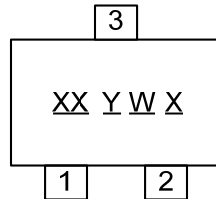
| Part Number | Package Code | Packaging | 7" Tape and Reel | | Ammo Box | |
|--------------|--------------|-----------|------------------|--------------------|----------|--------------------|
| | | | Quantity | Part Number Suffix | Quantity | Part Number Suffix |
| ZXRE330ASA-7 | SA | SOT23 | 3000/Tape & Reel | -7 | NA | NA |
| ZXRE330ESA-7 | SA | SOT23 | 3000/Tape & Reel | -7 | NA | NA |
| ZXRE330AV-A | V | TO92 | NA | NA | 2000/Box | A |
| ZXRE330EV-A | V | TO92 | NA | NA | 2000/Box | A |

Note: 5. Pad layout as shown on Diodes Inc. suggested pad layout document AP02001, which can be found on our website at <http://www.diodes.com/datasheets/ap02001.pdf>

Marking Information

(1) SOT23

(Top View)



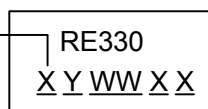
XX : Identification code
Y : Year 0~9
W : Week : A~Z : 1~26 week;
 a~z : 27~52 week; z represents 52 and 53 week
X : Internal Code

| Part Number | Package | Identification Code |
|--------------|---------|---------------------|
| ZXRE330ASA-7 | SOT23 | DC |
| ZXRE330ESA-7 | SOT23 | DD |

(2) TO92

(Top View)

Accuracy ←
 A : ±0.5%
 E : ±2%

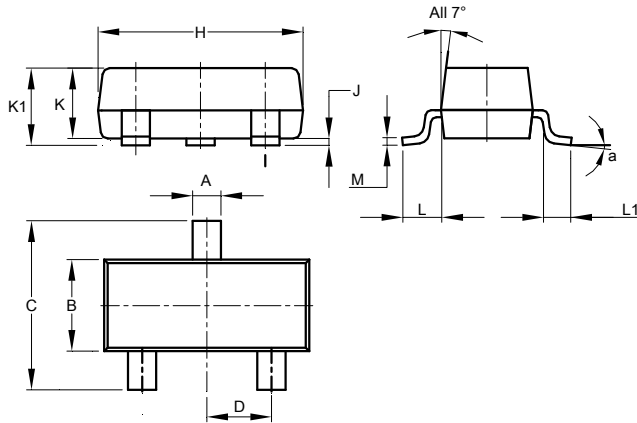


Y : Year : 0~9
WW : Week : 01~52; 52 represents 52 and 53 week
XX : Internal Code

Package Outline Dimensions (All dimensions in mm.)

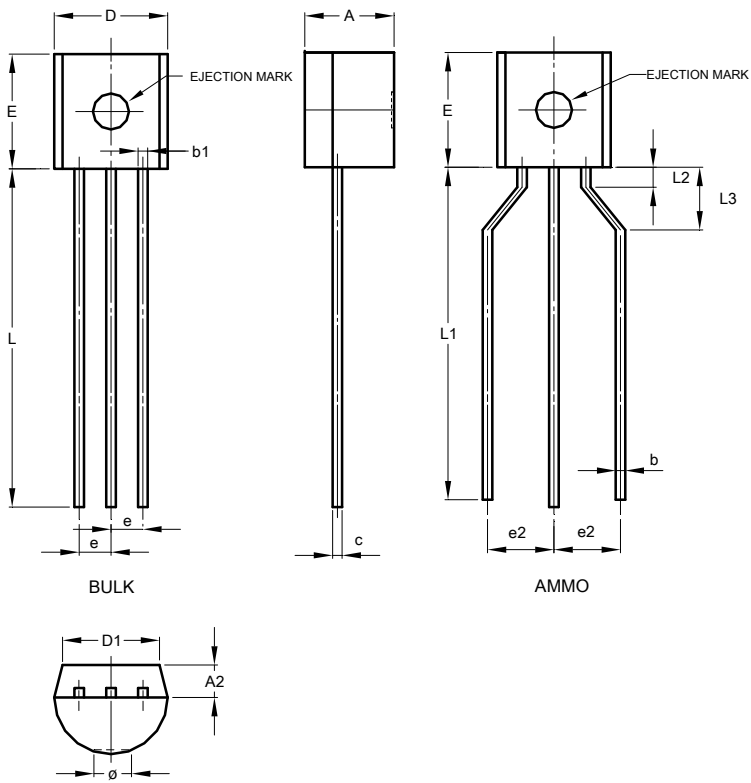
Please see AP02002 at <http://www.diodes.com/datasheets/ap02002.pdf> for latest version.

SOT23



| SOT23 | | | |
|----------------------|-------|-------|-------|
| Dim | Min | Max | Typ |
| A | 0.37 | 0.51 | 0.40 |
| B | 1.20 | 1.40 | 1.30 |
| C | 2.30 | 2.50 | 2.40 |
| D | 0.89 | 1.03 | 0.915 |
| F | 0.45 | 0.60 | 0.535 |
| G | 1.78 | 2.05 | 1.83 |
| H | 2.80 | 3.00 | 2.90 |
| J | 0.013 | 0.10 | 0.05 |
| K | 0.890 | 1.00 | 0.975 |
| K1 | 0.903 | 1.10 | 1.025 |
| L | 0.45 | 0.61 | 0.55 |
| L1 | 0.25 | 0.55 | 0.40 |
| M | 0.085 | 0.150 | 0.110 |
| a | 8° | | |
| All Dimensions in mm | | | |

T092



| T092 | | | |
|----------------------|-------|-------|------|
| Dim | Min | Max | Typ |
| A | 3.45 | 3.66 | - |
| A2 | 1.22 | 1.37 | - |
| b | - | - | 0.38 |
| c | - | - | 0.38 |
| D | 4.27 | 4.78 | - |
| D1 | - | - | 3.87 |
| E | 4.32 | 4.83 | - |
| e | - | - | 1.27 |
| e2 | 2.40 | 2.90 | - |
| L | 12.98 | 15.00 | - |
| L1 | 12.80 | 15.00 | - |
| L2 | 0.80 | - | - |
| L3 | 2.00 | 3.00 | - |
| All Dimensions in mm | | | |

Suggested Pad Layout

Please see AP02001 at <http://www.diodes.com/datasheets/ap02001.pdf> for the latest version.

SOT23



| Dimensions | Value (in mm) |
|------------|---------------|
| Z | 2.9 |
| X | 0.8 |
| Y | 0.9 |
| C | 2.0 |
| E | 1.35 |

IMPORTANT NOTICE

DIODES INCORPORATED MAKES NO WARRANTY OF ANY KIND, EXPRESS OR IMPLIED, WITH REGARDS TO THIS DOCUMENT, INCLUDING, BUT NOT LIMITED TO, THE IMPLIED WARRANTIES OF MERCHANTABILITY AND FITNESS FOR A PARTICULAR PURPOSE (AND THEIR EQUIVALENTS UNDER THE LAWS OF ANY JURISDICTION).

Diodes Incorporated and its subsidiaries reserve the right to make modifications, enhancements, improvements, corrections or other changes without further notice to this document and any product described herein. Diodes Incorporated does not assume any liability arising out of the application or use of this document or any product described herein; neither does Diodes Incorporated convey any license under its patent or trademark rights, nor the rights of others. Any Customer or user of this document or products described herein in such applications shall assume all risks of such use and will agree to hold Diodes Incorporated and all the companies whose products are represented on Diodes Incorporated website, harmless against all damages.

Diodes Incorporated does not warrant or accept any liability whatsoever in respect of any products purchased through unauthorized sales channel. Should Customers purchase or use Diodes Incorporated products for any unintended or unauthorized application, Customers shall indemnify and hold Diodes Incorporated and its representatives harmless against all claims, damages, expenses, and attorney fees arising out of, directly or indirectly, any claim of personal injury or death associated with such unintended or unauthorized application.

Products described herein may be covered by one or more United States, international or foreign patents pending. Product names and markings noted herein may also be covered by one or more United States, international or foreign trademarks.

This document is written in English but may be translated into multiple languages for reference. Only the English version of this document is the final and determinative format released by Diodes Incorporated.

LIFE SUPPORT

Diodes Incorporated products are specifically not authorized for use as critical components in life support devices or systems without the express written approval of the Chief Executive Officer of Diodes Incorporated. As used herein:

A. Life support devices or systems are devices or systems which:

1. are intended to implant into the body, or
2. support or sustain life and whose failure to perform when properly used in accordance with instructions for use provided in the labeling can be reasonably expected to result in significant injury to the user.

B. A critical component is any component in a life support device or system whose failure to perform can be reasonably expected to cause the failure of the life support device or to affect its safety or effectiveness.

Customers represent that they have all necessary expertise in the safety and regulatory ramifications of their life support devices or systems, and acknowledge and agree that they are solely responsible for all legal, regulatory and safety-related requirements concerning their products and any use of Diodes Incorporated products in such safety-critical, life support devices or systems, notwithstanding any devices- or systems-related information or support that may be provided by Diodes Incorporated. Further, Customers must fully indemnify Diodes Incorporated and its representatives against any damages arising out of the use of Diodes Incorporated products in such safety-critical, life support devices or systems.

Copyright © 2014, Diodes Incorporated

www.diodes.com

Данный компонент на территории Российской Федерации

Вы можете приобрести в компании MosChip.

Для оперативного оформления запроса Вам необходимо перейти по данной ссылке:

<http://moschip.ru/get-element>

Вы можете разместить у нас заказ для любого Вашего проекта, будь то серийное производство или разработка единичного прибора.

В нашем ассортименте представлены ведущие мировые производители активных и пассивных электронных компонентов.

Нашей специализацией является поставка электронной компонентной базы двойного назначения, продукции таких производителей как XILINX, Intel (ex.ALTERA), Vicor, Microchip, Texas Instruments, Analog Devices, Mini-Circuits, Amphenol, Glenair.

Сотрудничество с глобальными дистрибьюторами электронных компонентов, предоставляет возможность заказывать и получать с международных складов практически любой перечень компонентов в оптимальные для Вас сроки.

На всех этапах разработки и производства наши партнеры могут получить квалифицированную поддержку опытных инженеров.

Система менеджмента качества компании отвечает требованиям в соответствии с ГОСТ Р ИСО 9001, ГОСТ РВ 0015-002 и ЭС РД 009

Офис по работе с юридическими лицами:

105318, г.Москва, ул.Щербаковская д.3, офис 1107, 1118, ДЦ «Щербаковский»

Телефон: +7 495 668-12-70 (многоканальный)

Факс: +7 495 668-12-70 (доб.304)

E-mail: info@moschip.ru

Skype отдела продаж:

moschip.ru

moschip.ru_4

moschip.ru_6

moschip.ru_9