



Features

- Push switch option
- Compact, rugged design
- High reliability
- Metal bushing/shaft



PEC09 Series - 9 mm Incremental Encoder

Electrical Characteristics

| | |
|---------------------------------|-----------------------|
| Output..... | 2-bit quadrature code |
| Closed Circuit Resistance..... | 3 ohms maximum |
| Contact Rating..... | 10 mA @ 5 VDC |
| Insulation Resistance..... | 100 megohms @ 250 VDC |
| Dielectric Withstanding Voltage | |
| Sea Level..... | 300 VAC minimum |
| Electrical Travel..... | Continuous |
| Contact Bounce (15 RPM)..... | 5.0 ms maximum** |
| RPM (Operating)..... | 60 maximum** |

Environmental Characteristics

| | |
|----------------------------------|---------------------------------------|
| Operating Temperature Range..... | -10 °C to +70 °C (+14 °F to +158 °F) |
| Storage Temperature Range..... | -40 °C to +85 °C (-40 °F to +185 °F) |
| Humidity..... | MIL-STD-202, Method 103B, Condition B |
| Rotational Life..... | 30,000 cycles minimum |
| IP Rating..... | IP 40 |

Mechanical Characteristics

| | |
|-------------------------------|---|
| Mechanical Angle..... | 360 ° continuous |
| Torque | |
| Running/Detent..... | 30 to 200 gf.cm (0.42 to 2.7 oz.-in.) |
| Mounting..... | 10.0 kgf.cm (8.67 lb.-in.) maximum |
| Terminal Bend Strength..... | 300 gf (10.6 ozf) |
| Shaft Push-Pull Strength..... | 10 kgf (22 lbf) |
| Weight..... | 5 gm (0.17 oz.) maximum |
| Terminals..... | Printed circuit board terminals |
| Soldering Condition | |
| Wave Soldering..... | Sn95.5/Ag2.8/Cu0.7 solder with no-clean flux: 260 °C max. for 3-5 seconds |
| Hand Soldering..... | Not recommended |
| Hardware..... | One flat washer and one mounting nut supplied with each encoder |

Switch Characteristics

| | |
|------------------------------------|--------------------------------|
| Switch Type..... | Contact Push ON Momentary SPST |
| Switch Life..... | 20,000 cycles minimum |
| Power Rating (Resistive Load)..... | 10 mA at 5 V DC |
| Switch Travel..... | See How to Order |
| Switch Actuation Force..... | 300 ± 200 gf (10.6 ± 7.0 ozf) |

How To Order

PEC09 - 2 0 20 F - S 0012

| | |
|-----------------------------|--|
| Model..... | PEC09 - 2 0 20 F - S 0012 |
| Terminal Configuration..... | 2 = PC Pin Vertical/Side Exit |
| Detent Option..... | 0 = No Detents (12, 15 pulses) 1 = 12 Detents (12 pulses) 2 = 24 Detents (12 pulses) 3 = 30 Detents (15 pulses) |
| Standard Shaft Length..... | 15 = 15.0 mm 20 = 20.0 mm 25 = 25.0 mm |
| Shaft Style..... | F = Metal Flatted Shaft K = Metal Knurled Shaft |
| Switch Configuration..... | N = No Switch S = Push Momentary (0.5 mm stroke) T = Push Momentary (1.5 mm stroke) |
| Resolution..... | 0012 = 12 Pulses per 360 ° Rotation 0015 = 15 Pulses per 360 ° Rotation |

Quadrature Output Table



Suggested Filter Circuit



Switch Circuit



* RoHS Directive 2002/95/EC Jan 27, 2003 including Annex.

** Devices are tested using standard noise reduction filters.

For optimum performance, designers should use noise reduction filters in their circuits.

Specifications are subject to change without notice.

Customers should verify actual device performance in their specific applications.

Applications

Level control, tuning and timer settings in:

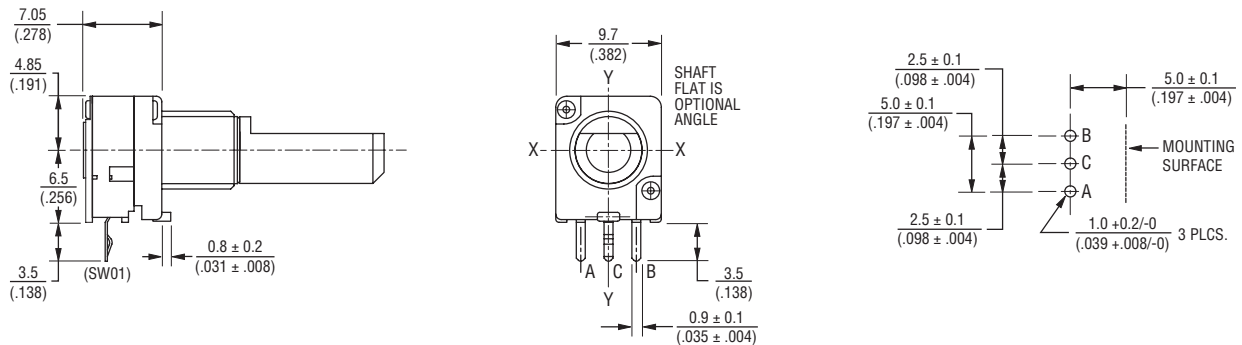
- Audio-visual equipment
- Consumer electric appliances
- Environmental controls
- Musical instrumentation
- Communications equipment

PEC09 Series - 9 mm Incremental Encoder

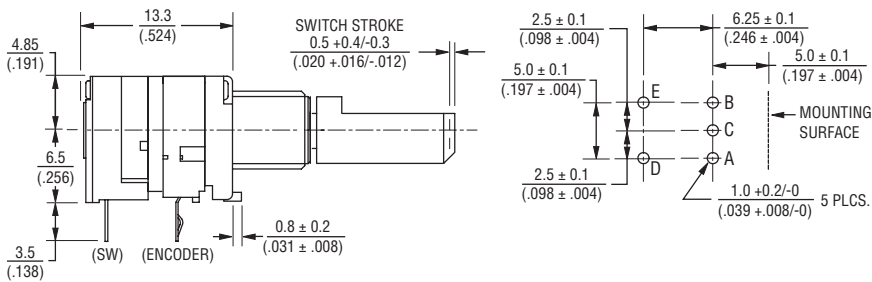
BOURNS®

Product Dimensions

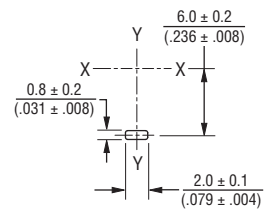
PEC09-2xxxF-Nxxxx



PEC09-2xxxF-Sxxxx

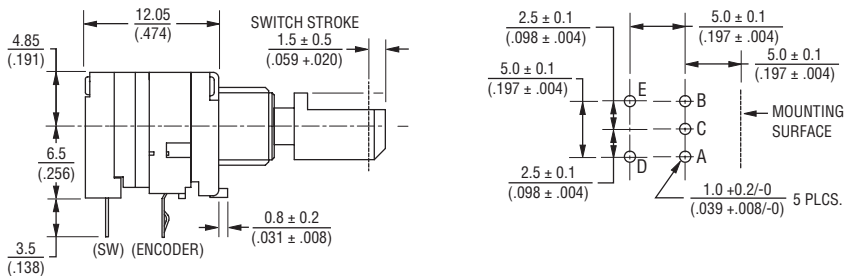


Locating Lug Detail

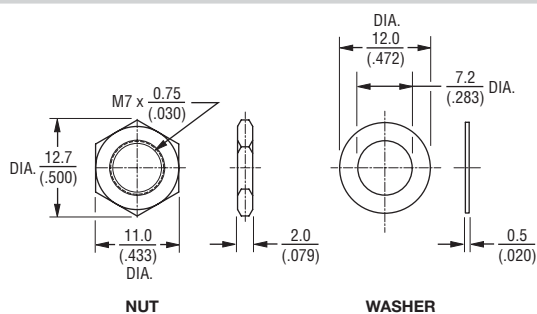


DIMENSIONS: $\frac{\text{MM}}{\text{(INCHES)}}$

PEC09-2xxxF-Txxxx



Hardware



Specifications are subject to change without notice.
Customers should verify actual device performance in their specific applications.

PEC09 Series - 9 mm Incremental Encoder

BOURNS®

Shaft Options

PEC09-2xxxx-Nxxxx



| L1 | LB | L2 | L3 |
|--------------|----------------|----------------|----------------|
| 15 (.591) | 5.0 (.197) | 6.0 (.236) | 7.0 (.276) |
| 20 (.787) | 7.0 (.276) | 10.0 (.394) | 11.0 (.433) |
| 25 (.984) | 10.0 (.394) | 10.0 (.394) | 11.0 (.433) |

PEC09-2xxxx-Sxxxx (0.5 mm Switch Stroke)



| L1 | LB | L2 | L3 |
|--------------|----------------|---------------|----------------|
| 15 (.591) | 5.0 (.197) | 6.0 (.236) | 7.0 (.276) |
| 20 (.787) | 7.0 (.276) | 9.0 (.354) | 10.0 (.394) |
| 25 (.984) | 10.0 (.394) | 9.0 (.354) | 10.0 (.394) |

PEC09-2xxxx-Txxxx (1.5 mm Switch Stroke)



| L1 | LB | L2 | L3 |
|--------------|----------------|---------------|---------------|
| 15 (.591) | 5.0 (.197) | 5.0 (.197) | 6.0 (.236) |
| 20 (.787) | 7.0 (.276) | 8.0 (.315) | 9.0 (.354) |
| 25 (.984) | 10.0 (.394) | 8.0 (.315) | 9.0 (.354) |



| L1 | LB | L2 |
|--------------|----------------|----------------|
| 15 (.591) | 5.0 (.197) | 7.0 (.276) |
| 20 (.787) | 7.0 (.276) | 12.0 (.472) |
| 25 (.984) | 10.0 (.394) | 12.0 (.472) |



| L1 | LB | L2 |
|--------------|----------------|----------------|
| 15 (.591) | 5.0 (.197) | 7.0 (.276) |
| 20 (.787) | 7.0 (.276) | 10.0 (.394) |
| 25 (.984) | 10.0 (.394) | 10.0 (.394) |



| L1 | LB | L2 |
|--------------|----------------|----------------|
| 15 (.591) | 5.0 (.197) | 7.0 (.276) |
| 20 (.787) | 7.0 (.276) | 10.0 (.394) |
| 25 (.984) | 10.0 (.394) | 10.0 (.394) |

DIMENSIONS: $\frac{\text{MM}}{\text{(INCHES)}}$

BOURNS®

Asia-Pacific: Tel: +886-2 2562-4117 • Fax: +886-2 2562-4116

Europe: Tel: +41-41 768 5555 • Fax: +41-41 768 5510

The Americas: Tel: +1-951 781-5500 • Fax: +1-951 781-5700

www.bourns.com

REV. 10/11

Specifications are subject to change without notice.
Customers should verify actual device performance in their specific applications.

Данный компонент на территории Российской Федерации

Вы можете приобрести в компании MosChip.

Для оперативного оформления запроса Вам необходимо перейти по данной ссылке:

<http://moschip.ru/get-element>

Вы можете разместить у нас заказ для любого Вашего проекта, будь то серийное производство или разработка единичного прибора.

В нашем ассортименте представлены ведущие мировые производители активных и пассивных электронных компонентов.

Нашей специализацией является поставка электронной компонентной базы двойного назначения, продукции таких производителей как XILINX, Intel (ex.ALTERA), Vicor, Microchip, Texas Instruments, Analog Devices, Mini-Circuits, Amphenol, Glenair.

Сотрудничество с глобальными дистрибьюторами электронных компонентов, предоставляет возможность заказывать и получать с международных складов практически любой перечень компонентов в оптимальные для Вас сроки.

На всех этапах разработки и производства наши партнеры могут получить квалифицированную поддержку опытных инженеров.

Система менеджмента качества компании отвечает требованиям в соответствии с ГОСТ Р ИСО 9001, ГОСТ РВ 0015-002 и ЭС РД 009

Офис по работе с юридическими лицами:

105318, г.Москва, ул.Щербаковская д.3, офис 1107, 1118, ДЦ «Щербаковский»

Телефон: +7 495 668-12-70 (многоканальный)

Факс: +7 495 668-12-70 (доб.304)

E-mail: info@moschip.ru

Skype отдела продаж:

moschip.ru

moschip.ru_4

moschip.ru_6

moschip.ru_9