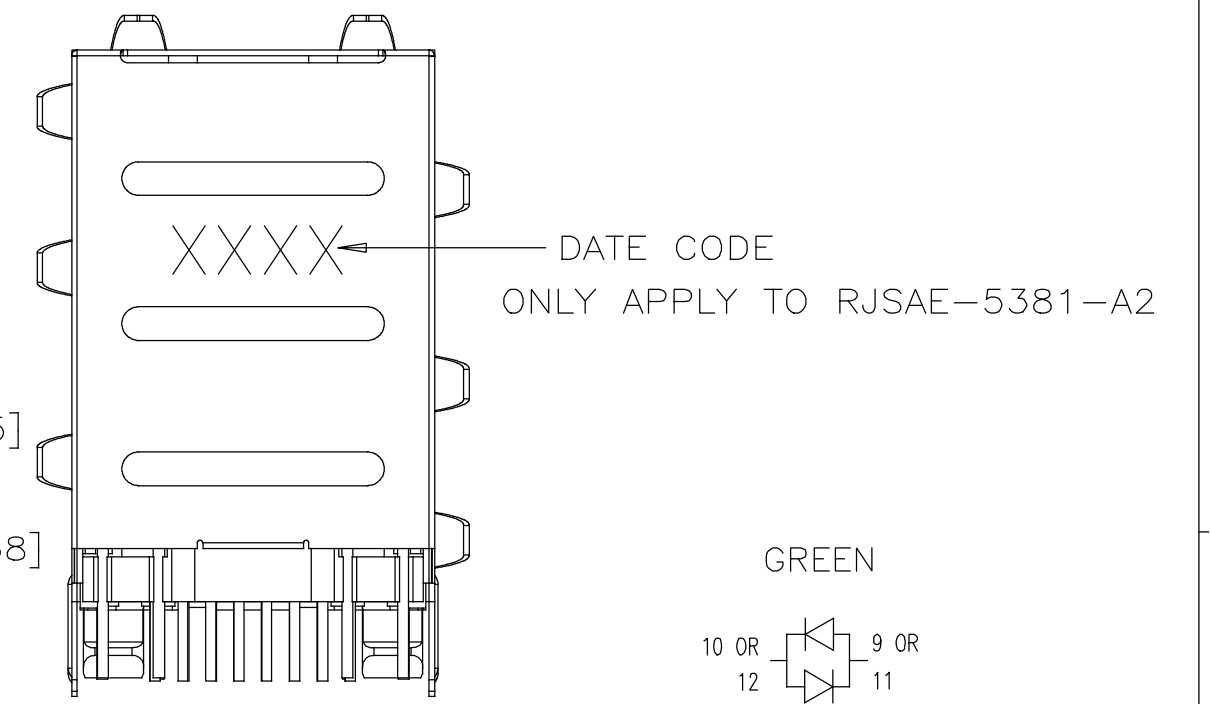
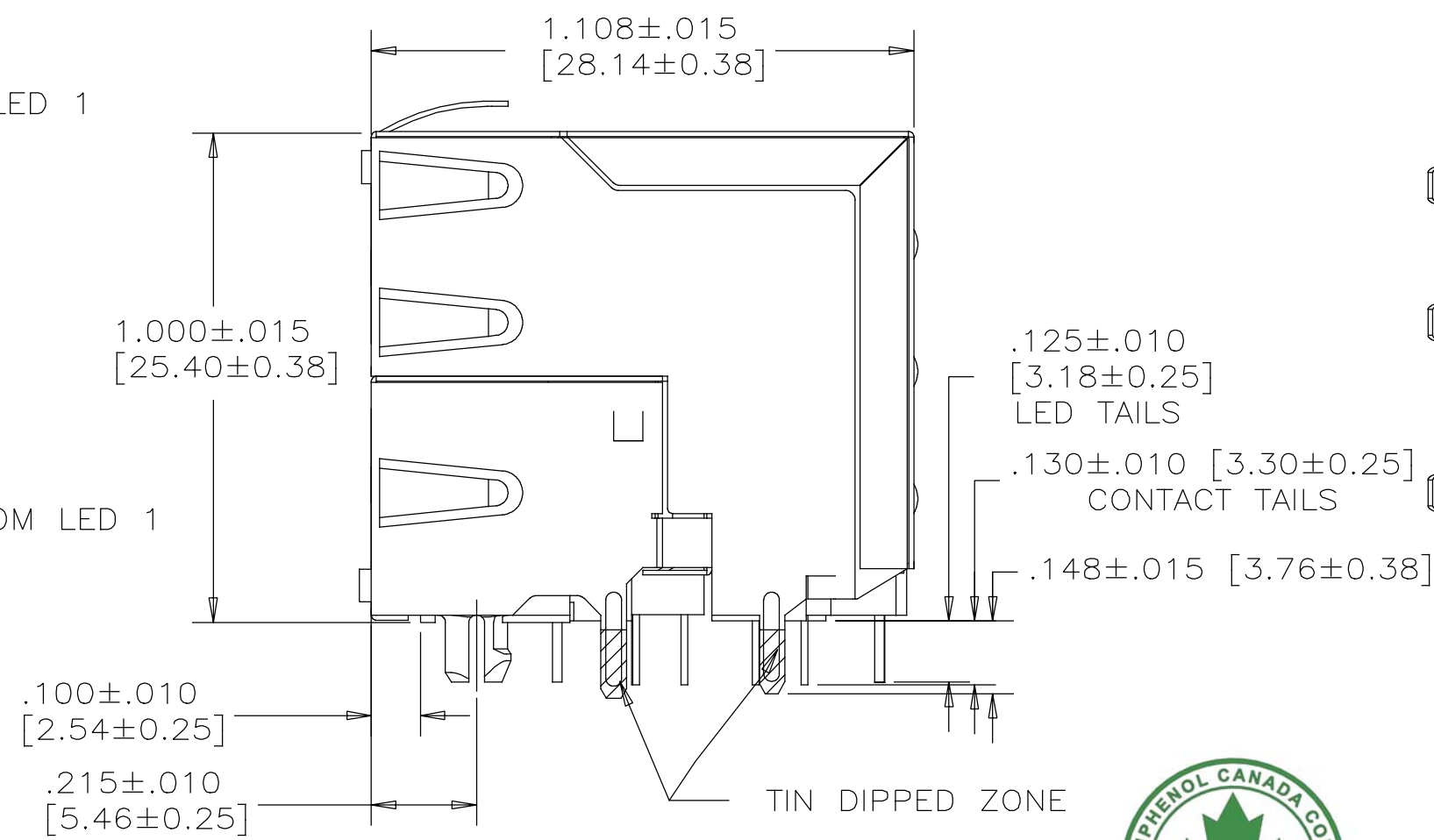
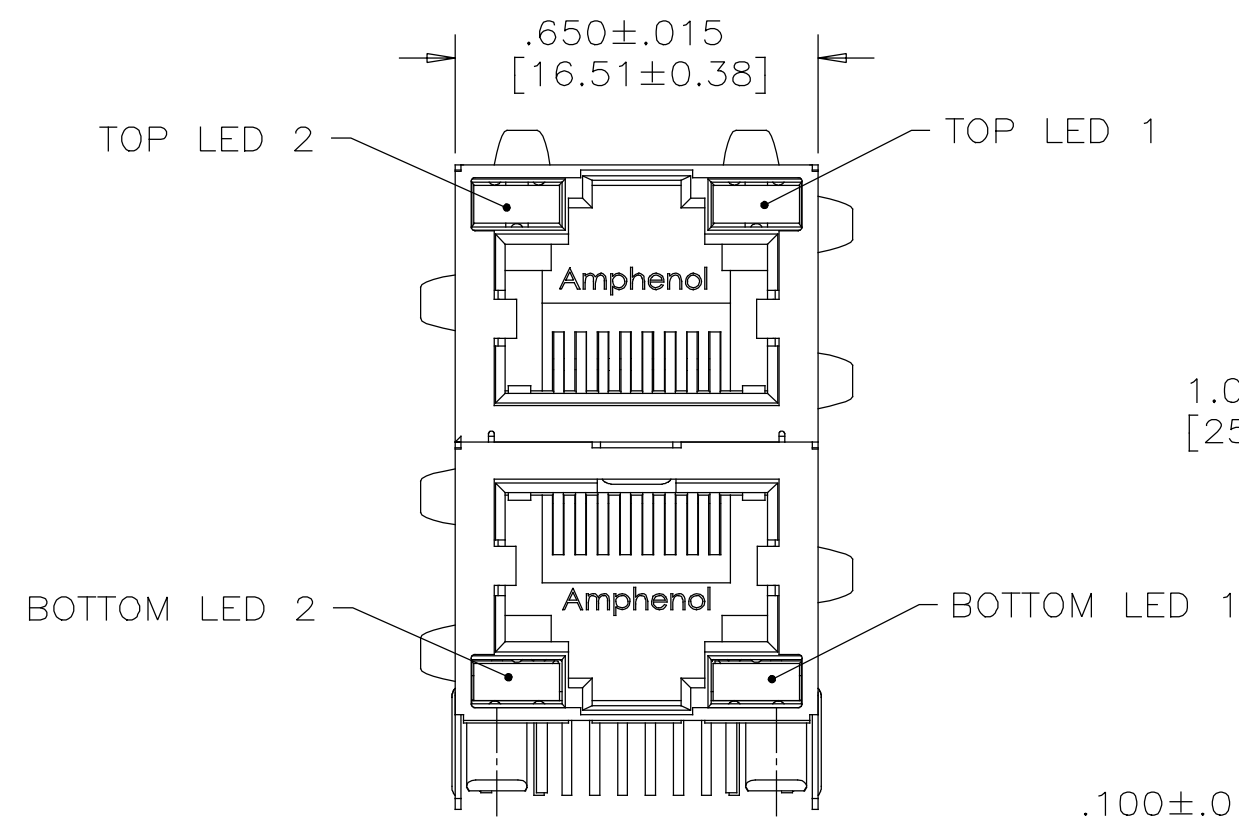
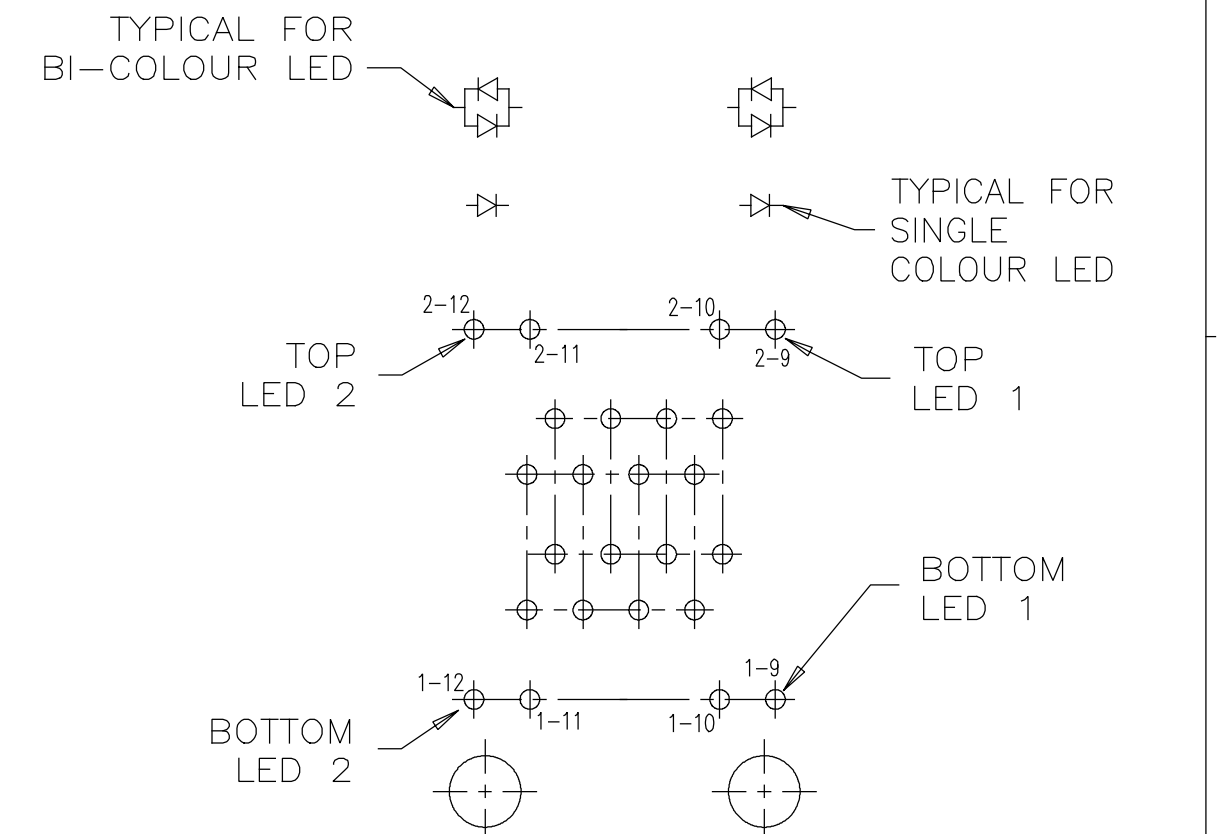
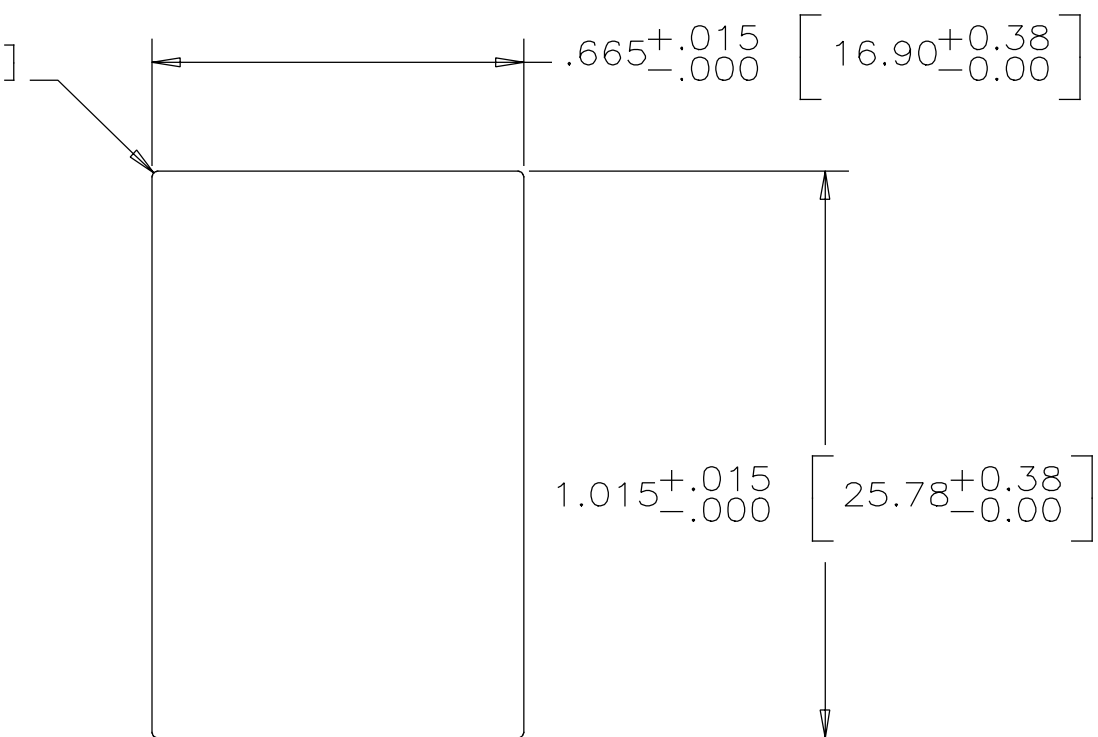
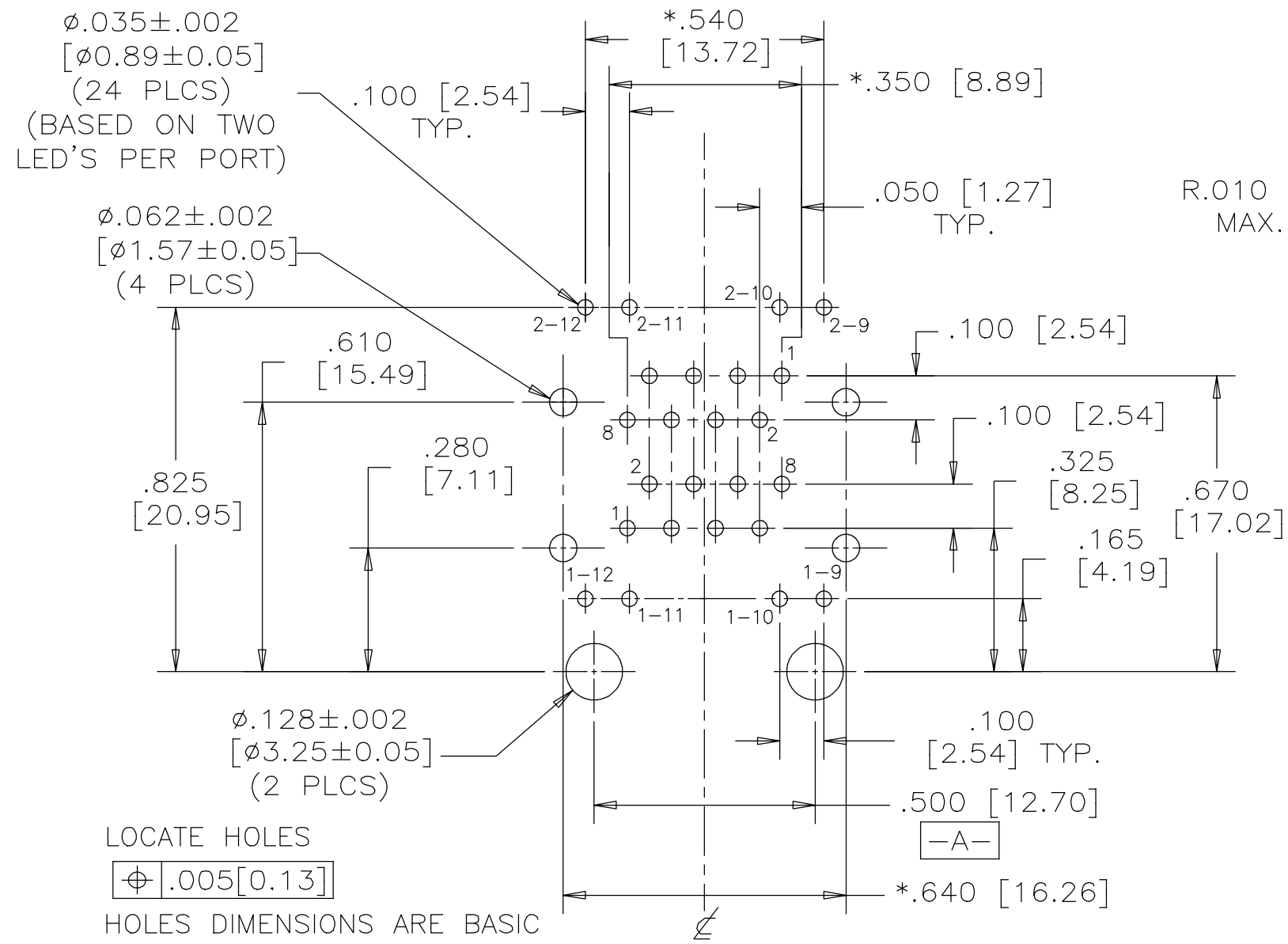


REVISIONS				
SYM	ZONE	ECN, ERN NO.	DATE	APPRD.
G		ADD DWV & OPERATING TEMP.	JAN.19, 12	L.CHAN
H		ADD SHIELD TAIL DIM.	AUG.19, 13	L.CHAN
J		ADD TOLERANCE FOR CUT-OUT	AUG.30, 13	L.CHAN



**BI-COLOUR LED DETAIL**  
 (GREEN/YELLOW, RED/YELLOW AND GREEN/ORANGE ARE ALSO AVAILABLE)



RECOMMENDED PANEL CUTOUT

LED SCHEMATIC

DIELECTRIC WITHSTANDING VOLTAGE:  
 1500 VAC RMS SIGNAL PIN TO SHIELD.  
 OPERATING TEMPERATURE: -55°C to +85°C

AMPHENOL PART NO.: RJSAE-538X-A2X  
 REFER TO LED OPTIONS DRAWING FOR ORDERING CODES

**RECOMMENDED P.C.B. LAYOUT**  
 (COMPONENT SIDE OF BOARD)

**MATERIALS:**  
**CONTACTS:** PHOSPHOR BRONZE, SELECTIVELY PLATED WITH 50 MICRO" GOLD ON MATING AREAS. 50 MICRO" MIN. NICKEL OVERALL. 100 MICRO" MIN. MATTE TIN OR GOLD FLASH ON TAILS.  
**HOUSING:** HIGH TEMPERATURE ENGINEER THERMOPLASTIC. COLOUR - BLACK. FLAMMABILITY RATING UL 94V-0  
**SHIELD:** COPPER ALLOY  
 PLATING: NICKEL WITH TIN DIPPED PCB TAILS.

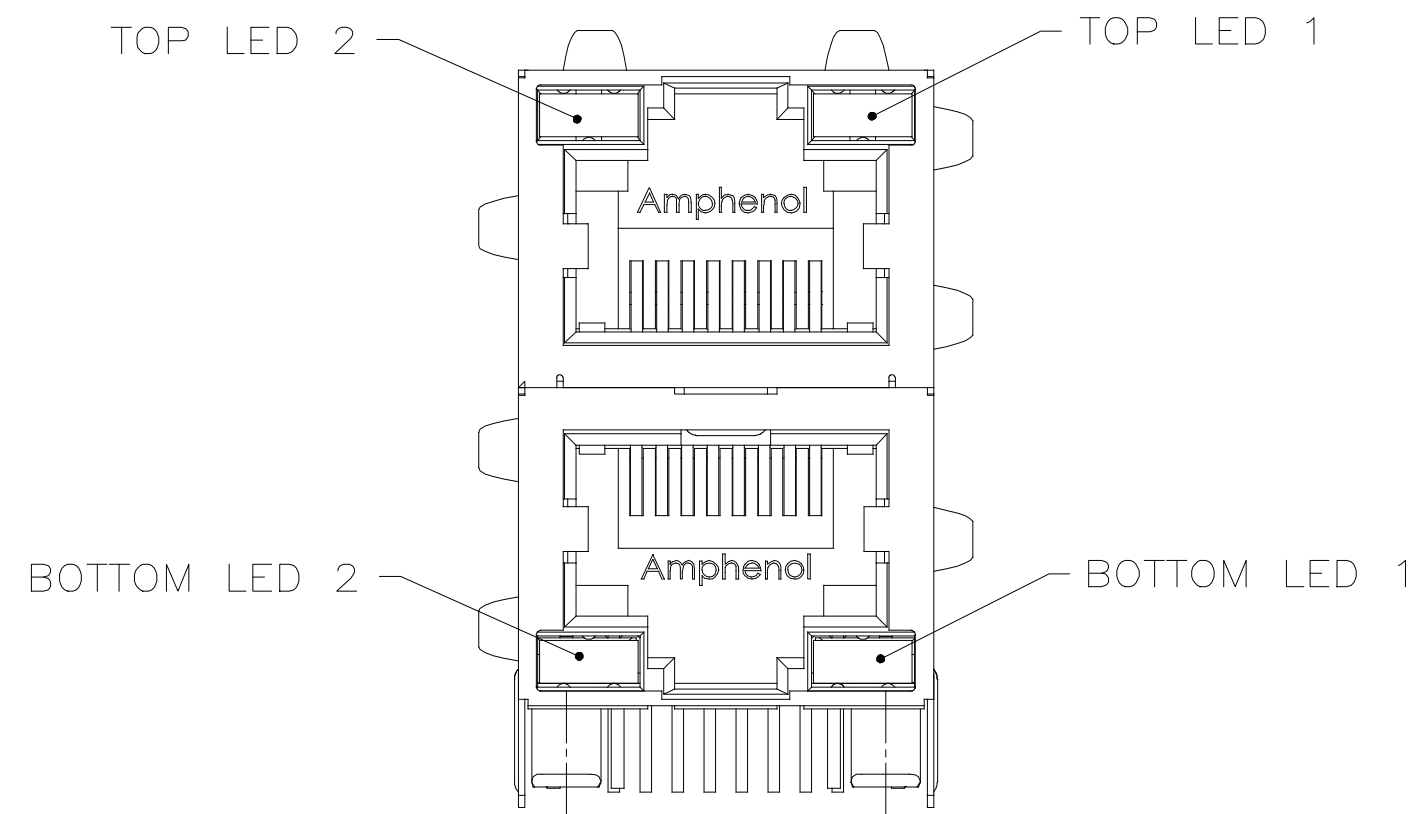
DIMENSIONS MARKED WITH \* ARE SYMMETRICAL ABOUT CENTER LINE AS DEFINED BY DATUM -A-

DRAWN PWANG	DATE 05/12/29
DESIGNED	
CHECKED CHIGOW	05/12/29
I. E. APPRD.	
Q. A. APPRD.	
DWG. APPRD.	
ENG. REL. NO.	
REF.	
DIMENSIONS ARE IN INCHES [mm]	CODE ID. NO. 03554

Amphenol Canada Corp.		
TITLE 2x1 STACKABLE MODULAR JACK SHIELDED, 2 PIECE CONSTRUCTION, 8 POS., 8 CONTACTS, WITH LED OPTIONS, .130 INCHES CONTACT TAIL LENGTH- RoHS COMPLIANT		
DWG	DRAWING NO. P-RJSAE-538X-A2X	REV. J
SCALE	WT. -----	SURF. -----
SHEET 1 OF 1		

THIS DOCUMENT CONTAINS PROPRIETARY INFORMATION AND SUCH INFORMATION MAY NOT BE DISCLOSED TO OTHERS FOR ANY PURPOSE OR USED FOR MANUFACTURING PURPOSES WITHOUT WRITTEN PERMISSION FROM AMPHENOL CANADA CORP.

REVISIONS				
SYM	ZONE	ECN, ERN NO.	DATE	APPRD.
H		PROPOSAL	JUL04/12	L.CHAN
J		UPDATE ROHS STAMP	JAN21/13	L.CHAN



LED SPECIFICATIONS:  
 FORWARD VOLTAGE: 2.1 VOLTS TYP.  
 REVERSE VOLTAGE: 5.0 VOLTS MIN.  
 LUMINOUS INTENSITY: 0.5 mCd MIN.  
 (AT If=2mA)  
 STORAGE TEMPERATURE: -40° TO 85° C  
 PLATING ON TAILS: TIN OR TIN/COPPER ALLOY OVER SILVER



**EXAMPLE:1**

PART NUMBER RJS AE-\*\*\*X-\*\*  
 SEE NOTE 2 (pointing to first three asterisks)  
 SEE NOTE 2 (pointing to X)  
 SEE NOTE 2 (pointing to last two asterisks)  
 LED COLOR CODE

**EXAMPLE:2**

PART NUMBER RJS AE-\*\*\*U-\*\*-XX  
 SEE NOTE 2 (pointing to first three asterisks)  
 SEE NOTE 2 (pointing to U)  
 SEE NOTE 2 (pointing to last two asterisks)  
 SEE NOTE 2 (pointing to XX)  
 SPECIAL CODE FOR TOP & BOTTOM LEDS CONFIGURATION  
 BOTTOM ASSY LED (SAME AS STD CODE)  
 TOP ASSY LED (SAME AS STD CODE)

PRIMARY COLOR FOR BI-COLOR LEDS IN STANDARD ANODE/CATHODE CONFIGURATION IS:  
 RED-GREEN= RED  
 RED-YELLOW= RED  
 GREEN-YELLOW= GREEN  
 GREEN-ORANGE= GREEN

CODE	LED 2 (LEFT)	LED 1 (RIGHT)	CODE	LED 2 (LEFT)	LED 1 (RIGHT)	CODE	LED 2 (LEFT)	LED 1 (RIGHT)
0	BLOCKED	BLOCKED	9	GREEN	BLOCKED	J	BiC RD/GR	YELLOW
1	YELLOW	GREEN	A	BiC GR/YE	BiC GR/YE	K	YELLOW	BiC GR/OR
2	BLOCKED	GREEN	B	BiC RD/GR	BiC RD/GR	L	BiC GR/YE	RED
3	YELLOW	BLOCKED	C	BiC RD/GR	BiC GR/YE	M	RED	YELLOW
4	GREEN	YELLOW	D	GREEN	BiC GR/YE	N	BiC GR/RD	BiC GR/YE
5	GREEN	GREEN	E	YELLOW	BiC GR/YE	P	GREEN	BiC RD/GR
6	YELLOW	YELLOW	F	BiC GR/YE	YELLOW	R	BiC GR/OR	GREEN
7	RED	GREEN	G	BiC GR/OR	BiC GR/OR	T	RED	RED
8	GREEN	RED	H	BiC GR/YE	GREEN	V	BiC RD/GR	GREEN
						W	ADDITIONAL OPTIONS	
						U	SPECIAL CODE FOR TOP & BOTTOM LEDS CONFIGURATION	

**LEGEND**

BiC=BI-COLOR LED  
 LOWC=LOW CURRENT LED  
 YE=YELLOW  
 GR=GREEN  
 RD=RED  
 OR=ORANGE

**EXAMPLE:3**

PART NUMBER RJS AE-\*\*\*W-\*\*X  
 SEE NOTE 2 (pointing to first three asterisks)  
 SEE NOTE 2 (pointing to W)  
 SEE NOTE 2 (pointing to last two asterisks)  
 SEE NOTE 2 (pointing to X)  
 ADDITIONAL LED COLOR CODE  
 DENOTES ADDITIONAL LED OPTIONS TO BE USED

CODE	LED 2 (LEFT)	LED 1 (RIGHT)	CODE	LED 2 (LEFT)	LED 1 (RIGHT)	CODE	LED 2 (LEFT)	LED 1 (RIGHT)
0	DO NOT USE		5	BLOCKED	YELLOW	A	LOWC YE	LOWC YE
1	RED	BLOCKED	6	RED	BiC RD/GR	B	LOWC YE	LOWC GR
2	BiC GR/OR	YELLOW	7			C	LOWC GR	LOWC YE
3	YELLOW	RED	8	BiC RD/GR	BLOCKED	D	LOWC GR	LOWC GR
4	BLOCKED	RED	9	BiC GR/YE	BLOCKED	M	LOWC RD	LOWC YE
						N	GREEN	BiC GR/OR
						E	GREEN	ORANGE
						F	ORANGE	GREEN
						P	BiC RD/YE	GREEN
						R	BiC RD/YE	BiC RD/YE
						T	BiC GR/YE	BiC RD/GR

**EXAMPLE:4**

PART NUMBER RJS AE-\*\*\*X-\*\*XX\*  
 SEE NOTE 2 (pointing to first three asterisks)  
 SEE NOTE 2 (pointing to X)  
 SEE NOTE 2 (pointing to last two asterisks)  
 SEE NOTE 2 (pointing to \*)  
 LED COLOR CODE THE SAME AS EXAMPLE 1, 2, 3  
 LED COLOR CODE THE SAME AS EXAMPLE 1, 2, 3  
 SEE NOTE 2

**NOTES:**

- THE TWO DIGITS PRECEDING THE ADDITIONAL LED CODE MUST BE USED IN THE PART NUMBER, WHEN ORDERING ANY OF THE ADDITIONAL LED OPTIONS.
- '\*' REPRESENT DIFFERENT OPTION OF CONNECTOR, DETAIL OPTION PLEASE SEE RELEVANT CONNECTOR DRAWING.

DRAWN PAUL WANG	DATE 05/07/22
DESIGNED	
CHECKED TERRY	05/07/22
I. E. APPRD.	
Q. A. APPRD.	
DWG. APPRD.	
ENG. REL. NO.	
REF.	
DIMENSIONS ARE IN INCHES [mm]	CODE ID. NO. 03554

<b>Amphenol Canada Corp.</b>	
TITLE LED OPTIONS FOR RJS AE, MULTI-PORT CONNECTORS - RoHS COMPLIANT	
DWG	DRAWING NO. P-RJS AE-LEDS
REV.	J
SCALE	WT. ----- SURF. ----- SHEET 1 OF 1

THIS DOCUMENT CONTAINS PROPRIETARY INFORMATION AND SUCH INFORMATION MAY NOT BE DISCLOSED TO OTHERS FOR ANY PURPOSE OR USED FOR MANUFACTURING PURPOSES WITHOUT WRITTEN PERMISSION FROM AMPHENOL CANADA CORP.

## Данный компонент на территории Российской Федерации

### Вы можете приобрести в компании MosChip.

Для оперативного оформления запроса Вам необходимо перейти по данной ссылке:

<http://moschip.ru/get-element>

Вы можете разместить у нас заказ для любого Вашего проекта, будь то серийное производство или разработка единичного прибора.

В нашем ассортименте представлены ведущие мировые производители активных и пассивных электронных компонентов.

Нашей специализацией является поставка электронной компонентной базы двойного назначения, продукции таких производителей как XILINX, Intel (ex.ALTERA), Vicor, Microchip, Texas Instruments, Analog Devices, Mini-Circuits, Amphenol, Glenair.

Сотрудничество с глобальными дистрибьюторами электронных компонентов, предоставляет возможность заказывать и получать с международных складов практически любой перечень компонентов в оптимальные для Вас сроки.

На всех этапах разработки и производства наши партнеры могут получить квалифицированную поддержку опытных инженеров.

Система менеджмента качества компании отвечает требованиям в соответствии с ГОСТ Р ИСО 9001, ГОСТ РВ 0015-002 и ЭС РД 009

### Офис по работе с юридическими лицами:

105318, г.Москва, ул.Щербаковская д.3, офис 1107, 1118, ДЦ «Щербаковский»

Телефон: +7 495 668-12-70 (многоканальный)

Факс: +7 495 668-12-70 (доб.304)

E-mail: [info@moschip.ru](mailto:info@moschip.ru)

Skype отдела продаж:

moschip.ru

moschip.ru\_4

moschip.ru\_6

moschip.ru\_9