

Future Technology Devices International Ltd



Vinculum-II Embedded Dual USB Host Controller IC



Vinculum-II is FTDI's 2nd generation of USB Host device. The CPU has been upgraded from the previous VNC1L device, dramatically increasing the processing power. The IC architecture has been designed to take care of most of the general USB data transfers, thus freeing up processing power for user applications. Flash and RAM memory have been increased providing larger user areas of memory for the designer to incorporate his own code. The designers also have the ability to create their own firmware using the new suite of software development tools.

VNC2 has the following advanced features:

- Embedded processor core
- 16 bit Harvard architecture
- Two full-speed or low-speed USB 2.0 interfaces capable of host or slave functions
- 256kbytes on-chip E-Flash Memory (128k x 16-bits)
- 16kbytes on-chip Data RAM (4k x 32-bits)
- Programmable UART up to 6Mbaud
- Two SPI (Serial Peripheral) slave interfaces and one SPI master interface
- Reduced power modes capability
- Variable instruction length
- Native support for 8, 16 and 32 bit data types
- Eight bit wide FIFO Interface
- Firmware upgrades via UART, SPI, and FIFO interface
- 12MHz oscillator using external crystal
- General-purpose timers
- +3.3V single supply operation with 5V safe inputs
- Software development suite of tools to create customised firmware. Compiler Linker – Debugger – IDE
- Available in six RoHS compliant packages - 32 LQFP, 32 QFN, 48 LQFP, 48 QFN, 64 LQFP and 64 QFN
- VNC2-48L1 package option compatible with VNC1L-1A
- 44 configurable I/O pins on the 64 pin device, 28 I/O pins on the 48 pin device and 12 I/O on the 32 pin device using the I/O multiplexer
- -40°C to +85°C extended operating temperature range
- Simultaneous multiple file access on BOMS devices
- Eight Pulse Width Modulation outputs to allow connectivity with motor control applications
- Debugger interface module
- System Suspend Modes

Use of FTDI devices in life support and/or safety applications is entirely at the user's risk, and the user agrees to defend, indemnify and hold harmless FTDI from any and all damages, claims, suits or expense resulting from such use.

1 Typical Applications

- Add USB host capability to embedded products
- Interface USB Flash drive to MCU/PLD/FPGA – data storage and firmware updates
- USB Flash drive data storage or firmware updates
- USB Flash drive to USB Flash drive file transfer interface
- Digital camera to USB Flash drive*
- PDA to USB Flash drive*
- MP3 Player to USB Flash drive or other USB slave device interface
- OSI Wireless Interface
- USB wireless process controller
- Telecom system calls logging to replace printer log
- Data logging
- Mobile phone to USB Flash drive*
- GPS to mobile phone interface
- Instrumentation USB Flash drive*
- Data-logger USB Flash drive*
- Set Top Box - USB device interface
- GPS tracker with USB Flash disk storage
- USB webcam
- Flash drive to SD Card data transfer
- Vending machine connectivity
- TLM Serial converter
- Geotagging of photos – GPS location linked to image
- Motorcycle system telemetry logging
- Medical systems
- PWM applications for motor control applications e.g. Toys
- FPGA Interfacing

* Or similar USB slave device interface e.g. USB external drive.

1.1 Part Numbers

| Part Number | Package |
|-------------|-------------|
| VNC2-64L | 64 Pin LQFP |
| VNC2-64Q | 64 Pin QFN |
| VNC2-48L | 48 Pin LQFP |
| VNC2-48Q | 48 Pin QFN |
| VNC2-32L | 32 Pin LQFP |
| VNC2-32Q | 32 Pin QFN |

Table 1.1 Part Numbers

Please refer to **Section 11** for all package mechanical parameters.

1.2 USB Compliant

At time of writing this data sheet, VNC2 has not completed USB compliancy testing.

2 VNC2 Block Diagram

For a description of each function please refer to Section 4.

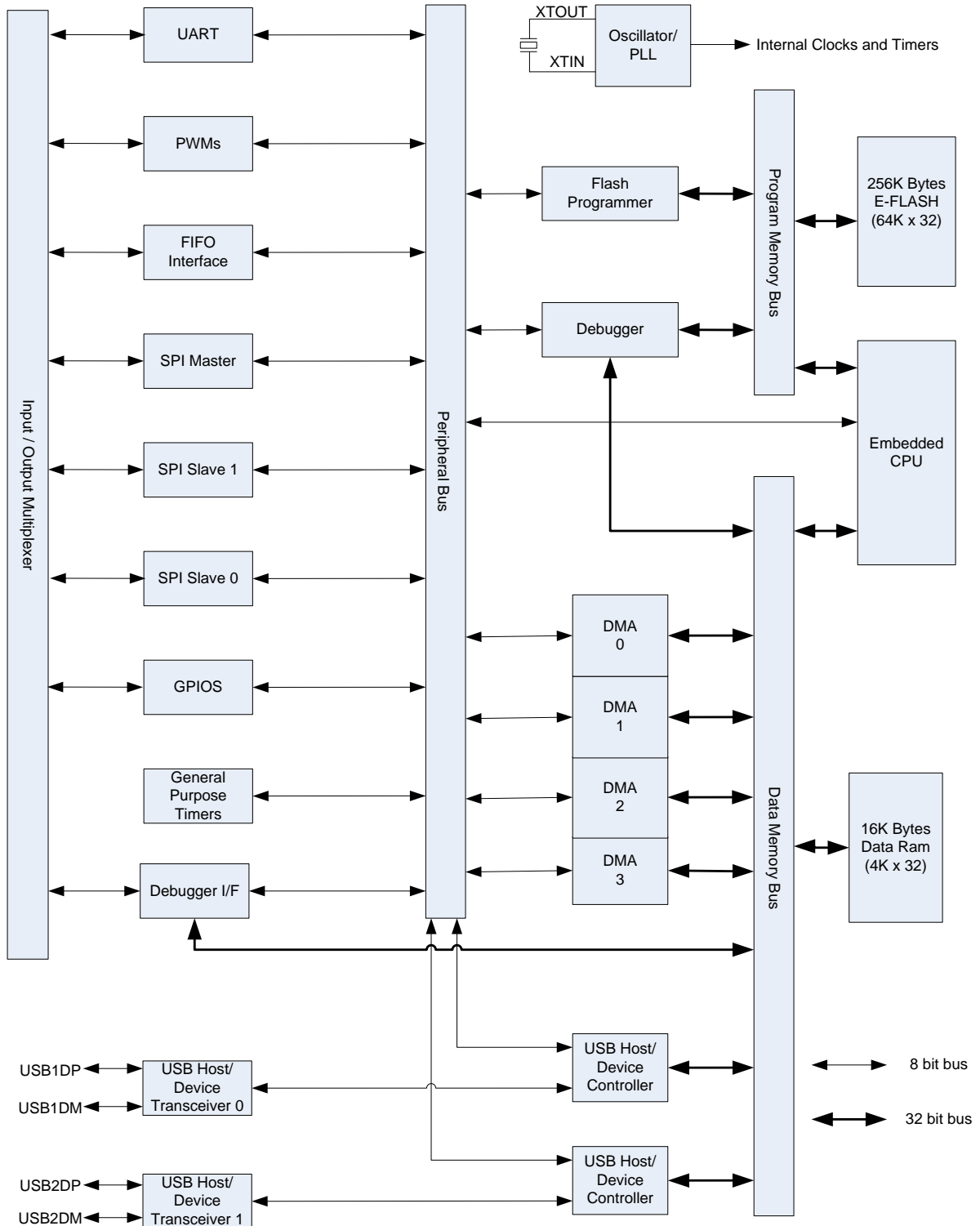


Figure 2.1 Simplified VNC2 Block Diagram

Table of Contents

| | | |
|------------|--|-----------|
| 1 | Typical Applications..... | 2 |
| 1.1 | Part Numbers..... | 2 |
| 1.2 | USB Compliant | 2 |
| 2 | VNC2 Block Diagram..... | 3 |
| 3 | Device Pin Out and Signal Description Summary | 7 |
| 3.1 | Pin Out - 32 pin LQFP..... | 7 |
| 3.2 | Pin Out - 32 pin QFN | 8 |
| 3.3 | Pin Out - 48 pin LQFP..... | 9 |
| 3.4 | Pin Out - 48 pin QFN | 10 |
| 3.5 | Pin Out - 64 pin LQFP..... | 11 |
| 3.6 | Pin Out - 64 pin QFN | 12 |
| 3.7 | VNC2 Schematic Symbol 32 Pin | 13 |
| 3.8 | VNC2 Schematic symbol 48 Pin..... | 14 |
| 3.9 | VNC2 Schematic symbol 64 Pin..... | 15 |
| 3.10 | Pin Configuration USB and Power..... | 16 |
| 3.11 | Miscellaneous Signals..... | 16 |
| 3.12 | Pin Configuration Input / Output | 17 |
| 4 | Function Description | 19 |
| 4.1 | Key Features..... | 19 |
| 4.2 | Functional Block Descriptions | 19 |
| 4.2.1 | Embedded CPU | 19 |
| 4.2.2 | Flash Module | 19 |
| 4.2.3 | Flash Programming Module..... | 19 |
| 4.2.4 | Input / Output Multiplexer Module..... | 19 |
| 4.2.5 | Peripheral DMA Modules 0, 1, 2 & 3..... | 20 |
| 4.2.6 | RAM Module | 20 |
| 4.2.7 | Peripheral Interface Modules | 20 |
| 4.2.8 | USB Transceivers 0 and 1 | 20 |
| 4.2.9 | USB Host / Device Controllers..... | 20 |
| 4.2.10 | 12MHz Oscillator | 20 |
| 4.2.11 | Power Saving Modes and Standby mode | 21 |
| 5 | I/O Multiplexer | 22 |
| 5.1 | I/O Peripherals Signal Names | 26 |

| | | |
|-------------|--|-----------|
| 5.2 | I/O Multiplexer Configuration | 27 |
| 5.3 | I/O Mux Group 0 | 28 |
| 5.4 | I/O Mux Group 1 | 28 |
| 5.5 | I/O Mux Group 2 | 29 |
| 5.6 | I/O Mux Group 3 | 29 |
| 5.7 | I/O Mux Interface Configuration Example | 30 |
| 6 | Peripheral Interfaces | 31 |
| 6.1 | UART Interface | 31 |
| 6.1.1 | UART Mode Signal Descriptions | 32 |
| 6.2 | Serial Peripheral Interface – SPI Modes | 33 |
| 6.2.1 | SPI Clock Phase Modes | 34 |
| 6.3 | Serial Peripheral Interface – Slave | 35 |
| 6.3.1 | SPI Slave Signal Descriptions | 36 |
| 6.3.2 | Full Duplex | 36 |
| 6.3.3 | Half Duplex, 4 pin | 38 |
| 6.3.4 | Half Duplex, 3 pin | 39 |
| 6.3.5 | Unmanaged Mode | 40 |
| 6.3.6 | VNC1L Legacy Interface | 41 |
| 6.4 | Serial Peripheral Interface – SPI Master | 45 |
| 6.4.1 | SPI Master Signal Descriptions..... | 46 |
| 6.5 | Debugger Interface | 47 |
| 6.5.1 | Debugger Interface Signal description | 47 |
| 6.6 | Parallel FIFO – Asynchronous Mode | 48 |
| 6.6.1 | FIFO Signal Descriptions | 48 |
| 6.6.2 | Read / Write Transaction Asynchronous FIFO Mode | 49 |
| 6.7 | Parallel FIFO – Synchronous Mode | 50 |
| 6.7.1 | Read / Write Transaction Synchronous FIFO Mode..... | 51 |
| 6.8 | General Purpose Timers | 52 |
| 6.9 | Pulse Width Modulation | 52 |
| 6.10 | General Purpose Input Output | 53 |
| 7 | USB Interfaces | 54 |
| 8 | Firmware | 55 |
| 8.1 | RTOS | 55 |
| 8.2 | Device drivers | 55 |
| 8.3 | Firmware – Software Development Toolchain | 55 |

| | | |
|---|---|-----------|
| 8.4 | Precompiled Firmware | 56 |
| 9 | Device Characteristics and Ratings..... | 57 |
| 9.1 | Absolute Maximum Ratings..... | 57 |
| 9.2 | DC Characteristics..... | 57 |
| 9.3 | ESD and Latch-up Specifications | 58 |
| 10 | Application Examples | 59 |
| 10.1 | Example VNC2 Schematic (MCU – UART Interface) | 59 |
| 11 | Package Parameters..... | 60 |
| 11.1 | VNC2 Package Markings | 60 |
| 11.2 | VNC2, LQFP-32 Package Dimensions | 61 |
| 11.3 | VNC2, QFN-32 Package Dimensions | 61 |
| 11.4 | VNC2, LQFP-48 Package Dimensions | 62 |
| 11.5 | VNC2, QFN-48 Package Dimensions | 63 |
| 11.6 | VNC2, LQFP-64 Package Dimensions | 64 |
| 11.7 | VNC2, QFN-64 Package Dimensions | 65 |
| 11.8 | Solder Reflow Profile..... | 66 |
| 12 | Contact Information | 68 |
| Appendix A – References | | 69 |
| Document References | | 69 |
| Acronyms and Abbreviations..... | | 70 |
| Appendix B – List of Figures and Tables..... | | 71 |
| List of Tables..... | | 71 |
| List of Figures | | 72 |
| Appendix C – Revision History | | 74 |

3 Device Pin Out and Signal Description Summary

VNC2 is available in six packages: 32 pin LQFP, 32 pin QFN, 48 pin LQFP (pin compatible with VNC1L), 48 pin QFN, 64 pin LQFP and 64 pin QFN. Figure 3.3 shows how the VNC2 pins map to the VNC1L pins (VNC2 pins labelled in bold text):

3.1 Pin Out - 32 pin LQFP

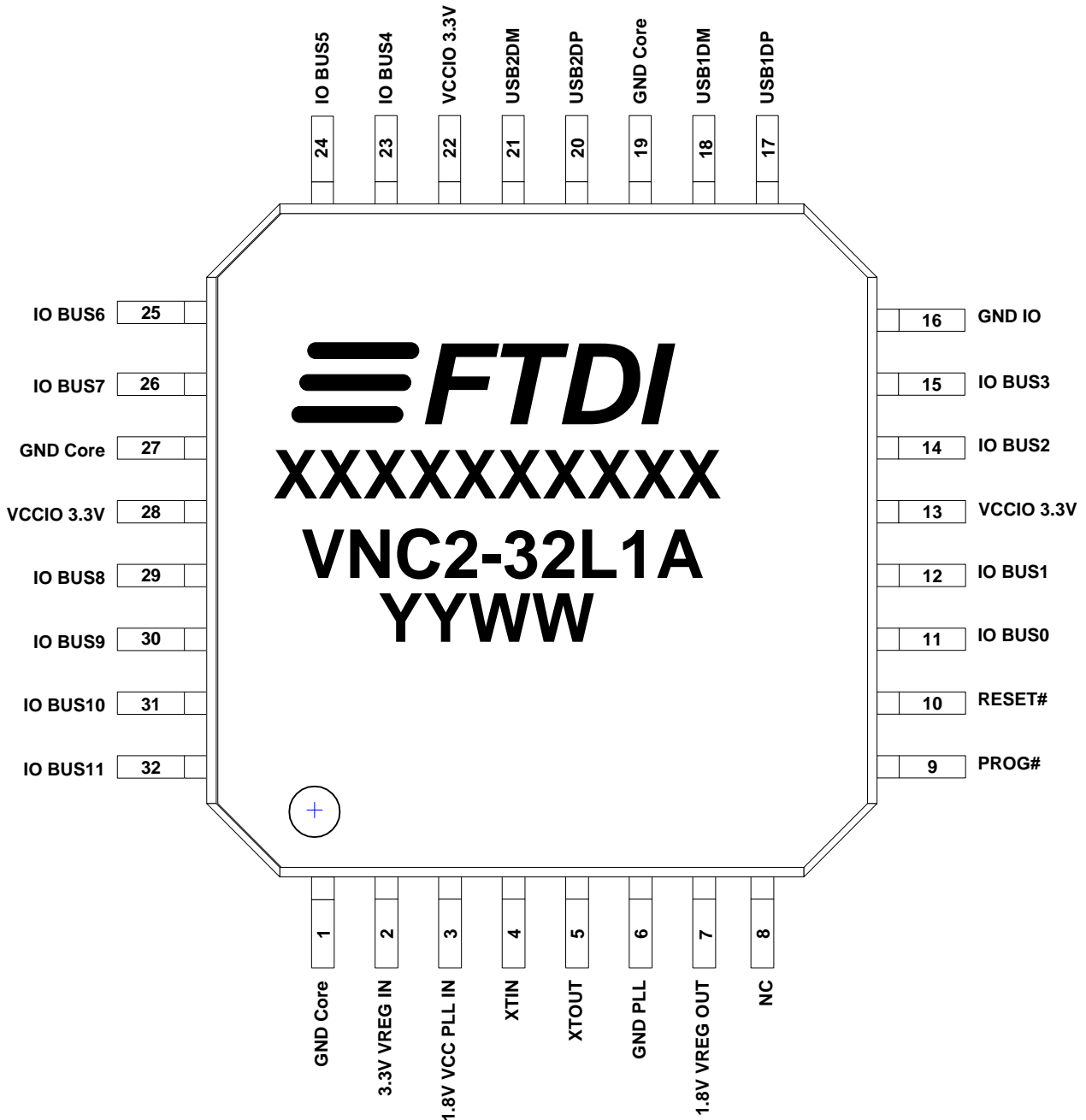


Figure 3.1 32 Pin LQFP – Top Down View

3.2 Pin Out - 32 pin QFN

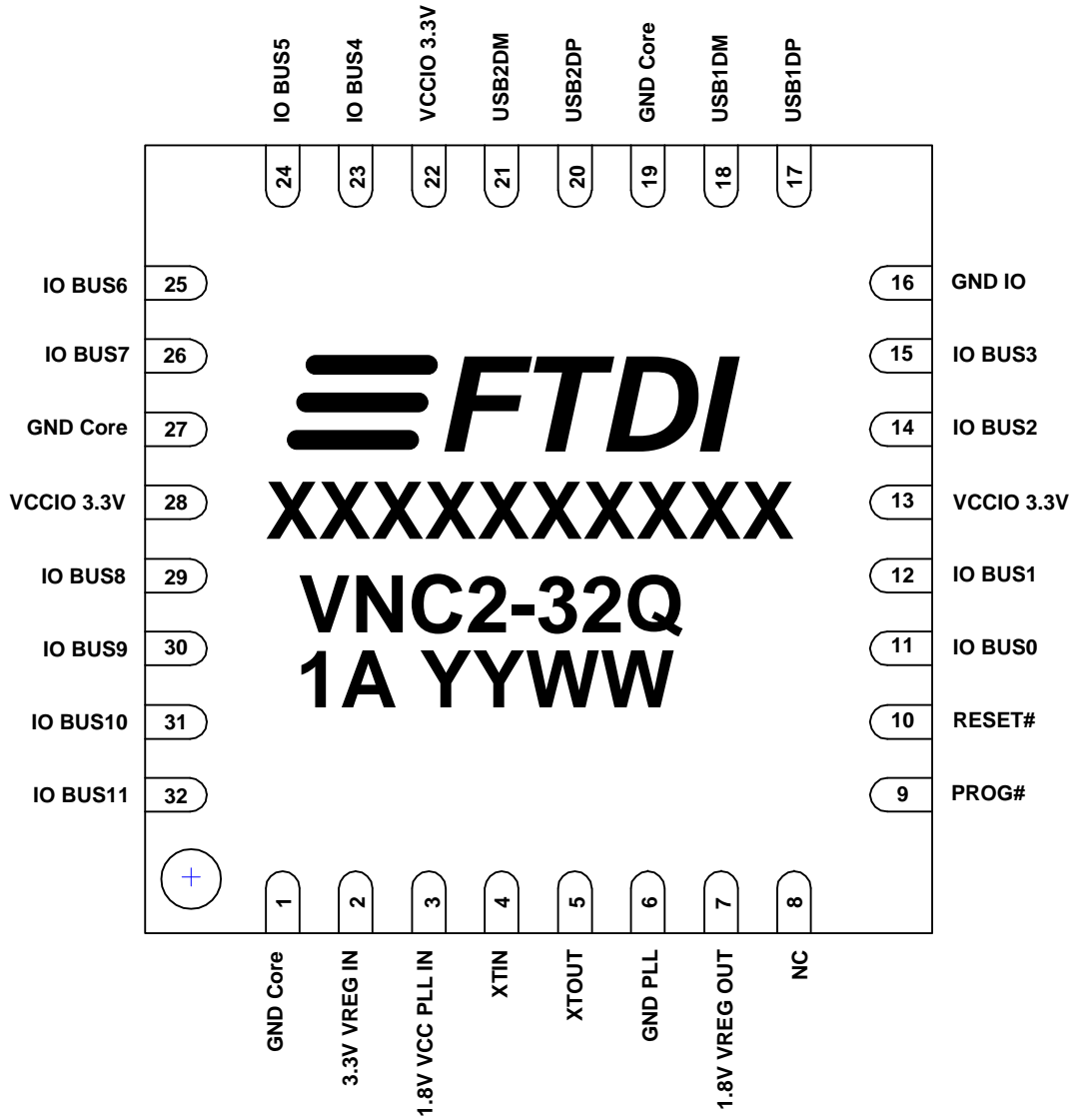


Figure 3.2 32 Pin QFN – Top Down View

3.4 Pin Out - 48 pin QFN

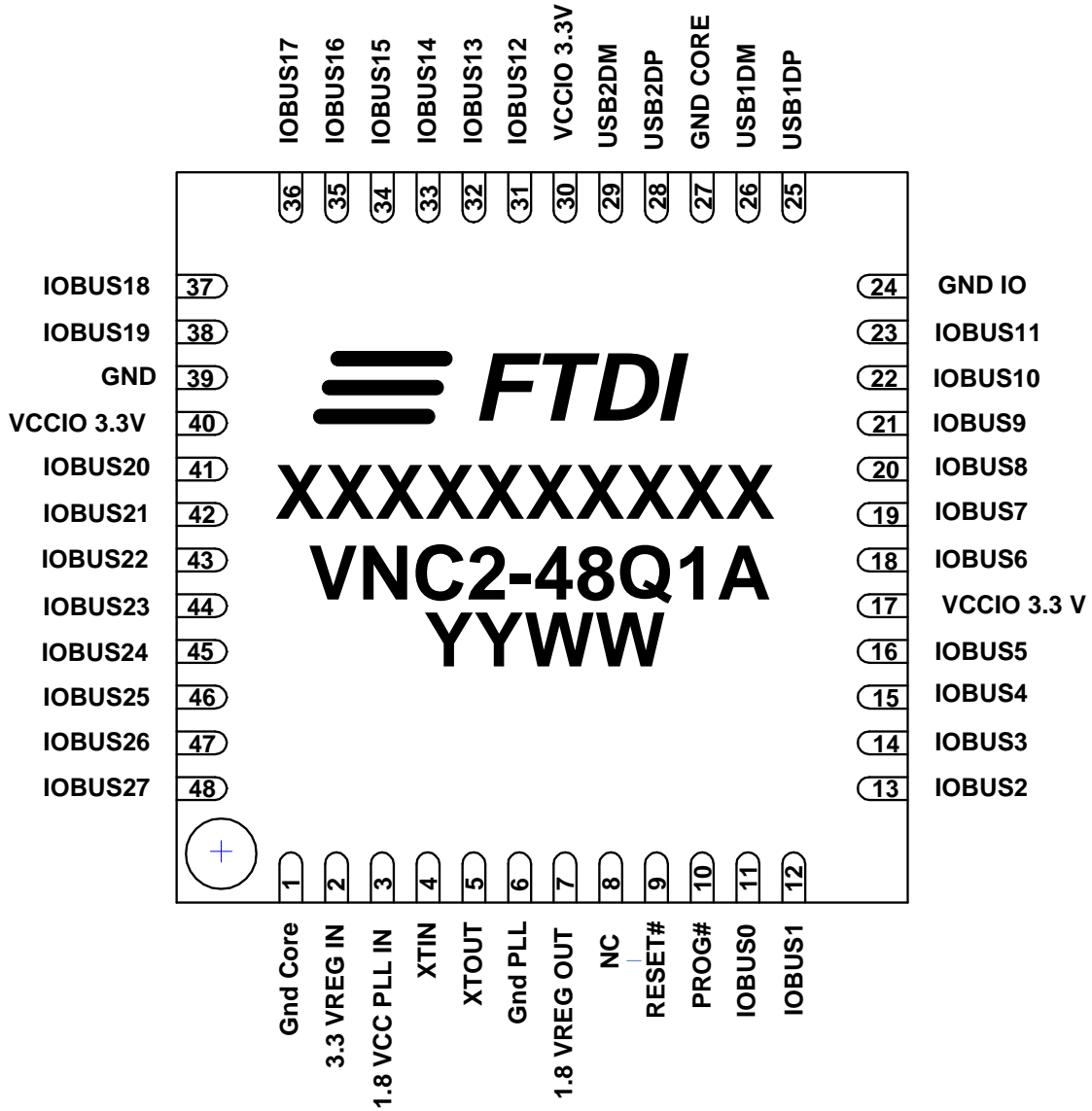


Figure 3.4 48 Pin QFN – Top Down View

3.5 Pin Out - 64 pin LQFP

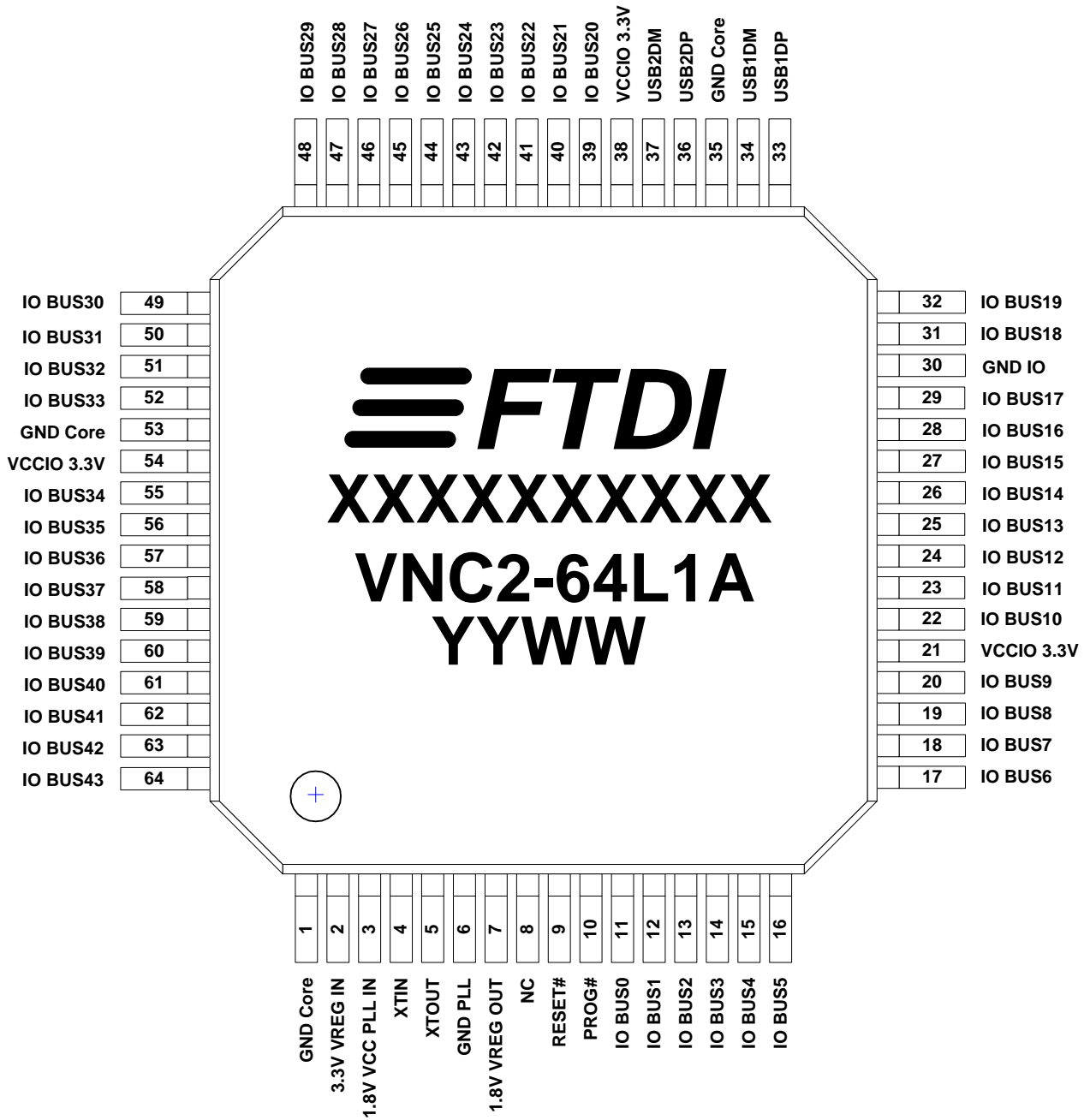


Figure 3.5 64 Pin LQFP – Top Down View

3.6 Pin Out - 64 pin QFN

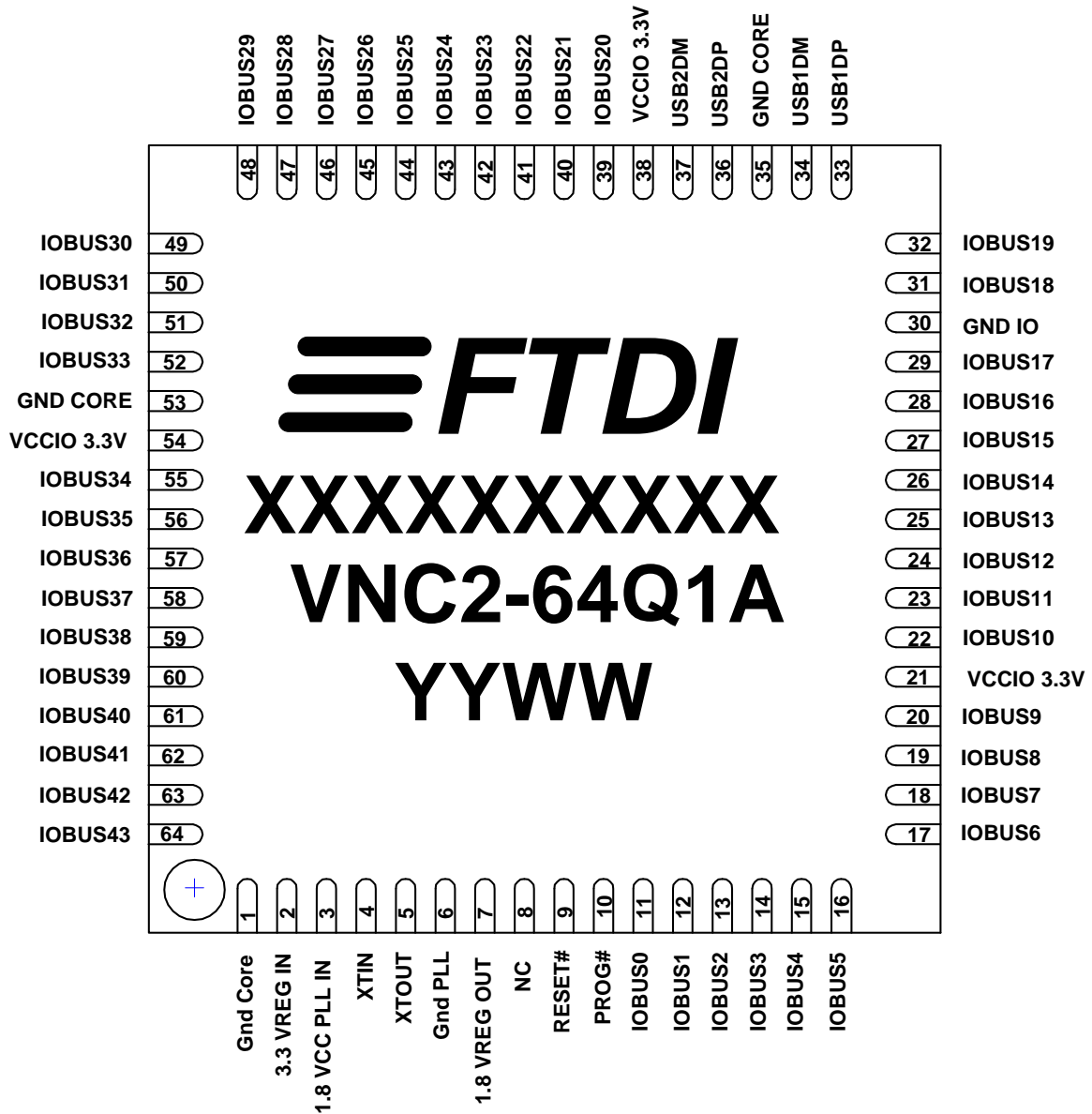


Figure 3.6 64 Pin QFN – Top Down View

3.7 VNC2 Schematic Symbol 32 Pin

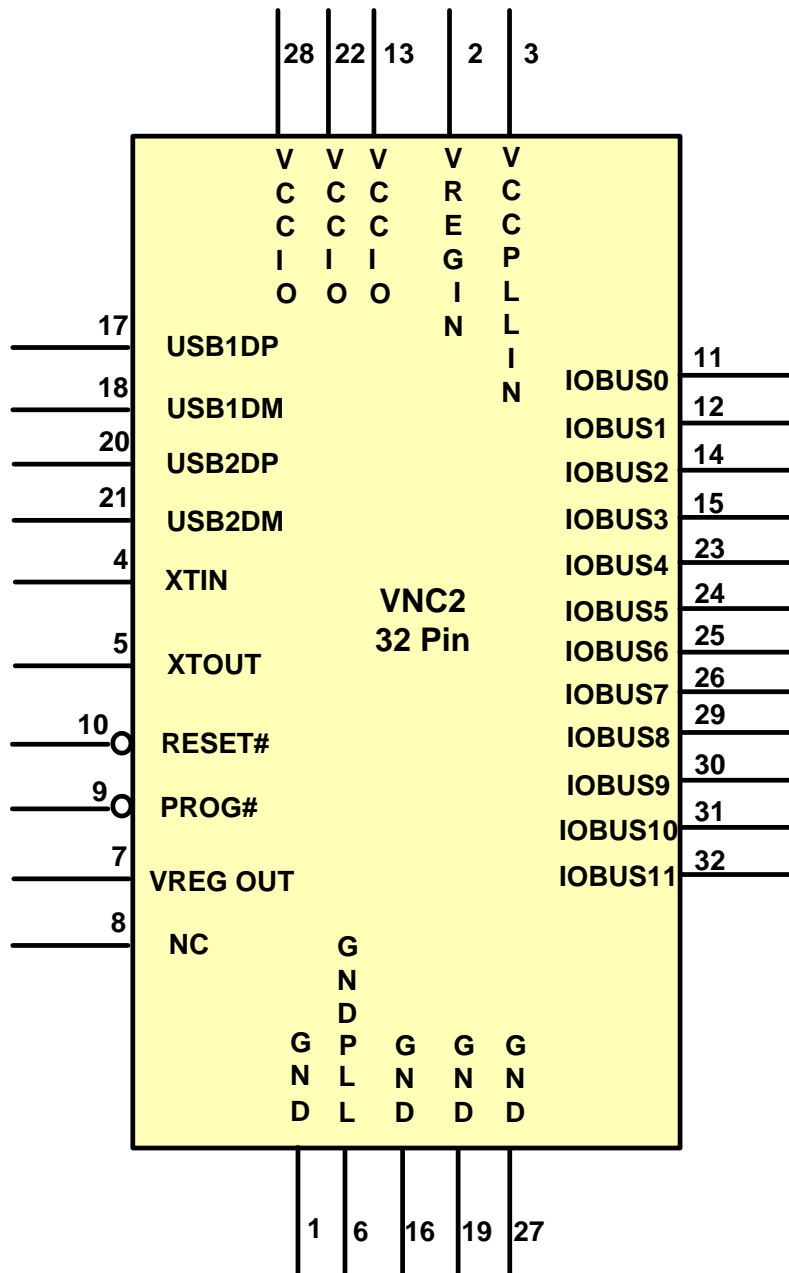


Figure 3.7 Schematic Symbol 32 Pin

3.8 VNC2 Schematic symbol 48 Pin

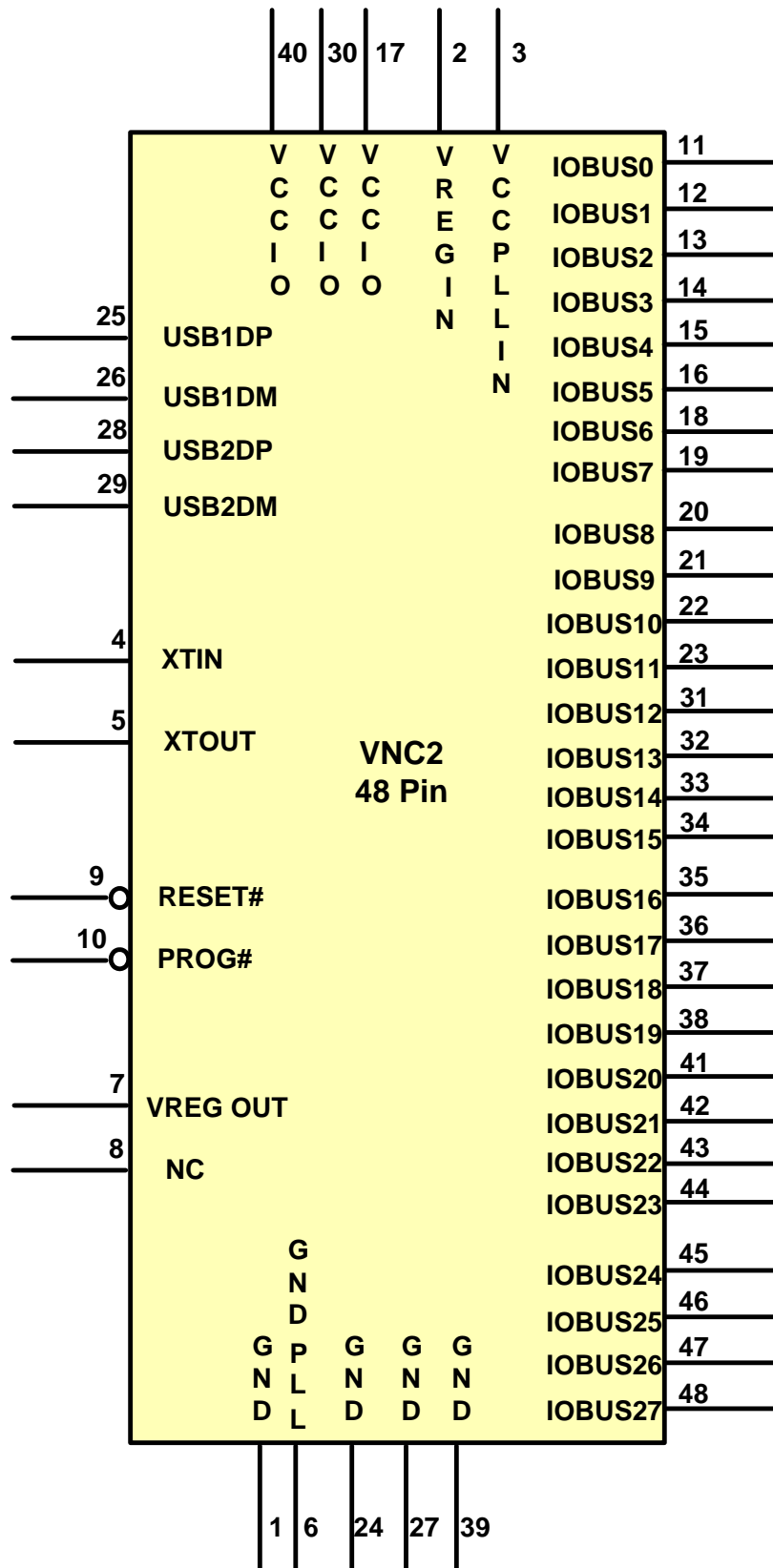


Figure 3.8 Schematic Symbol 48 Pin

3.9 VNC2 Schematic symbol 64 Pin

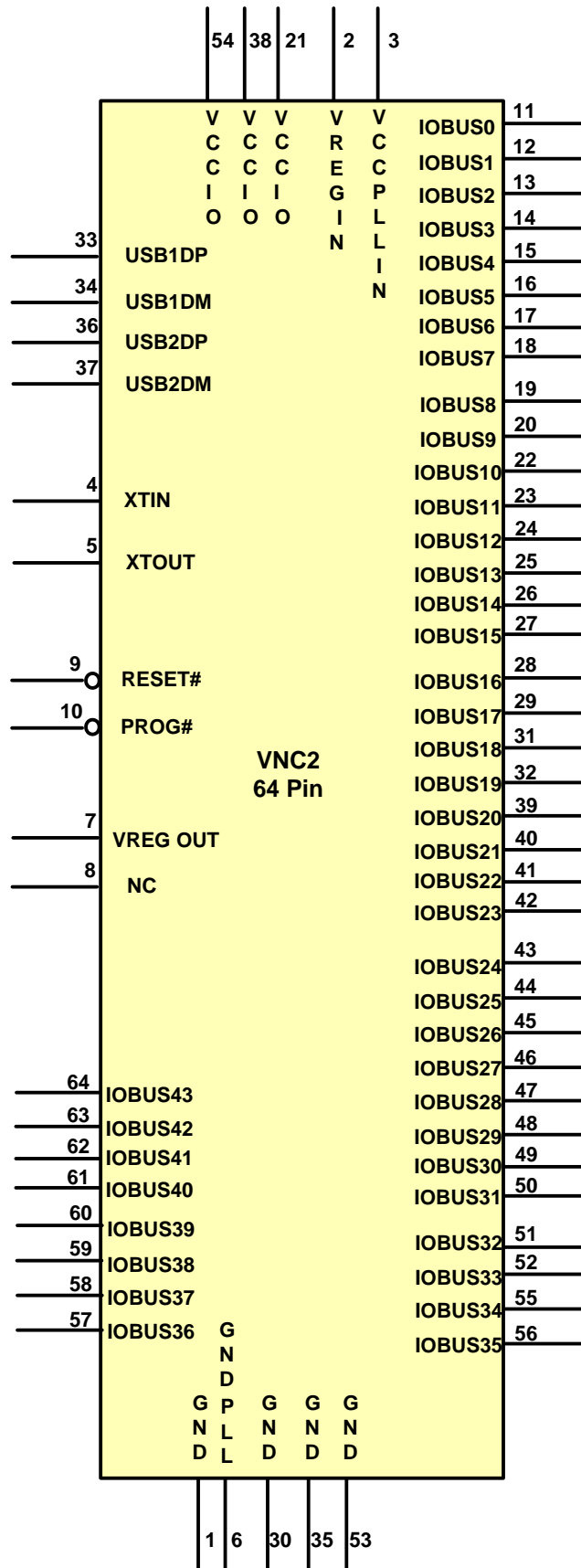


Figure 3.9 Schematic Symbol 64 Pin

3.10 Pin Configuration USB and Power

| Pin No | | | Name | Type | Description |
|--------|--------|--------|------------|------|---|
| 64 pin | 48 pin | 32 pin | | | |
| 33 | 25 | 17 | USB1DP | I/O | USB host/slave port 1 - USB Data Signal Plus with integrated pull-up/pull-down resistor. |
| 34 | 26 | 18 | USB1D M | I/O | USB host/slave port 1 - USB Data Signal Minus with integrated pull-up/pull-down resistor. |
| 36 | 28 | 20 | USB2DP | I/O | USB host/slave port 2 - USB Data Signal Plus with integrated pull-up/pull-down resistor. |
| 37 | 29 | 21 | USB2D M | I/O | USB host/slave port 2 - USB Data Signal Minus with integrated pull-up/pull-down resistor. |

Table 3.1 USB Interface Group

| Pin No | | | Name | Type | Description |
|------------------|------------------|------------------|-----------------------|--------|--|
| 64 pin | 48 pin | 32 pin | | | |
| 1, 30, 35, 53 | 1, 24, 27, 39 | 1, 16, 19, 27 | GND | PWR | Device ground supply pins. |
| 2 | 2 | 2 | 3.3V VREGIN | PWR | +3.3V supply to the regulator. |
| 3 | 3* | 3 | 1.8V VCC PLL IN | PWR | +1.8V supply to the internal clock multiplier. This pin requires a 100nF decoupling capacitor. * 48 pin LQFP package only – This power input is internally connected to VREG_OUT. All other packages need this pin connected to a 1.8V power source. Most common applications will connect this to VREG_OUT. |
| 6 | 6 | 6 | GND PLL | PWR | Device analogue ground supply for internal clock multiplier. |
| 7 | 7* | 7 | VREG OUT | Output | 1.8V output from regulator to device core * N/C on 48 pin LQFP package only. All other packages will typically need to connect pins 7 and 3. |
| 21, 38, 54 | 17, 30, 40 | 13, 22, 28 | VCCIO | PWR | +3.3V supply to the input / output. Interface pins (IOBUS). Leaving the VCCIO unconnected will lead to unpredictable operation on the interface pins. |

Table 3.2 Power and Ground

3.11 Miscellaneous Signals

| Pin No | | | Name | Type | Description |
|--------|--------|--------|------------|--------|---|
| 64 pin | 48 pin | 32 pin | | | |
| 4 | 4 | 4 | XTIN | Input | Input to 12MHz Oscillator Cell. Connect 12MHz crystal across pins 4 and 5. If driven by an external source, reference to 1.8V VCC PLL IN. |
| 5 | 5 | 5 | XTOUT | Output | Output from 12MHz Oscillator Cell. Connect 12MHz crystal across pins 4 and 5. No connect if XTIN is driven by an external source. |
| 8 | 8 | 8 | NC | NC | No Connect (rev C) – (was TEST Rev A, B) |
| 9 | 9 | 10 | RESET # | Input | Can be used by an external device to reset VNC2. |
| 10 | 10 | 9 | PROG# | Input | Asserting PROG# on its own enables programming mode. |

Table 3.3 Miscellaneous Signal Group

Note 1: # is used to indicate an active low signal.

Note 2: Pin 9 and 10 are 5V safe inputs

3.12 Pin Configuration Input / Output

VNC2 has multiple interfaces available for connecting to external devices. These are UART, FIFO, SPI slave, SPI master, GPIO and PWM. The Interface I/O Multiplexer is used to share the available I/O Pins between each peripheral.

VNC2 is configured with default settings for the I/O pins however they can be easily changed to suit the needs of a designer. This is explained in **Section 5 – I/O Multiplexer**. Default configuration for each package type is shown in **Table 3.4- Default I/O Configuration**. The signal names are also indicated for the VNC1L device as it is pin-compatible with the 48 pin LQFP VNC2 device.

Note: The default values of the pins listed in the following table are only available when the I/O Mux is enabled. A blank VNC2 chip defaults to all I/O pins as inputs.

| Pin No | | | Name (VINC1-L) | 64 Pin Default | 48 Pin Default | 32 PIN Default | Type | Description |
|-----------|-----------|-----------|---------------------|-------------------|-------------------|-------------------|------|-------------|
| 64 Pin | 48 Pin | 32 Pin | | | | | | |
| 11 | 11 | 11 | IOBUS0 (BDBUS0) | debug_if | debug_if | debug_if | I/O | GPIO |
| 12 | 12 | 12 | IOBUS1 (BDBUS1) | Input | pwm[1] | gpio[A1] | I/O | GPIO |
| 13 | 13 | 14 | IOBUS2 (BDBUS2) | Input | pwm[2] | gpio[A2] | I/O | GPIO |
| 14 | 14 | 15 | IOBUS3 (BDBUS3) | Input | pwm[3] | gpio[A3] | I/O | GPIO |
| 15 | 15 | 23 | IOBUS4 (BDBUS4) | fifo_data[0] | spi_s0_clk | uart_txd | I/O | GPIO |
| 16 | 16 | 24 | IOBUS5 (BDBUS5) | fifo_data[1] | spi_s0_mosi | uart_rxd | I/O | GPIO |
| 17 | 18 | 25 | IOBUS6 (BDBUS6) | fifo_data[2] | spi_s0_miso | uart_rts# | I/O | GPIO |
| 18 | 19 | 26 | IOBUS7 (BDBUS7) | fifo_data[3] | spi_s0_ss# | uart_cts# | I/O | GPIO |
| 19 | 20 | 29 | IOBUS8 (BCBUS0) | fifo_data[4] | spi_m_clk | spi_s0_clk | I/O | GPIO |
| 20 | 21 | 30 | IOBUS9 (BCBUS1) | fifo_data[5] | spi_m_mosi | spi_s0_mosi | I/O | GPIO |
| 22 | 22 | 31 | IOBUS10 (BCBUS2) | fifo_data[6] | spi_m_miso | spi_s0_miso | I/O | GPIO |
| 23 | 23 | 32 | IOBUS11 (BCBUS3) | fifo_data[7] | spi_m_ss_0# | spi_s0_ss# | I/O | GPIO |
| 24 | 31 | - | IOBUS12 (ADBUS0) | fifo_rxf# | uart_txd | | I/O | GPIO |
| 25 | 32 | - | IOBUS13 (ADBUS1) | fifo_txe# | uart_rxd | | I/O | GPIO |
| 26 | 33 | - | IOBUS14 (ADBUS2) | fifo_rd# | uart_rts# | | I/O | GPIO |
| 27 | 34 | - | IOBUS15 (ADBUS3) | fifo_wr# | uart_cts# | | I/O | GPIO |
| 28 | 35 | - | IOBUS16 (ADBUS4) | fifo_oe# | uart_dtr# | | I/O | GPIO |
| 29 | 36 | - | IOBUS17 (ADBUS5) | Input | uart_dsr# | | I/O | GPIO |
| 31 | 37 | - | IOBUS18 (ADBUS6) | Input | uart_dcd# | | I/O | GPIO |
| 32 | 38 | - | IOBUS19 (ADBUS7) | Input | uart_ri# | | I/O | GPIO |

| Pin No | | | Name (VINC1-L) | 64 Pin Default | 48 Pin Default | 32 PIN Default | Type | Description |
|-----------|-----------|-----------|---------------------|-------------------|-------------------|-------------------|------|-------------|
| 64 Pin | 48 Pin | 32 Pin | | | | | | |
| 39 | 41 | - | IOBUS20 (ACBUS0) | uart_txd | uart_tx_active | | I/O | GPIO |
| 40 | 42 | - | IOBUS21 (ACBUS1) | uart_rxd | gpio[A5] | | I/O | GPIO |
| 41 | 43 | - | IOBUS22 (ACBUS2) | uart_rts# | gpio[A6] | | I/O | GPIO |
| 42 | 44 | - | IOBUS23 (ACBUS3) | uart_cts# | gpio[A7] | | I/O | GPIO |
| 43 | 45 | - | IOBUS24 (ACBUS4) | uart_dtr# | gpio[A0] | | I/O | GPIO |
| 44 | 46 | - | IOBUS25 (ACBUS5) | uart_dsr# | gpio[A1] | | I/O | GPIO |
| 45 | 47 | - | IOBUS26 (ACBUS6) | uart_dcd# | gpio[A2] | | I/O | GPIO |
| 46 | 48 | - | IOBUS27 (ACBUS7) | uart_ri# | gpio[A3] | | I/O | GPIO |
| 47 | - | - | IOBUS28 | uart_tx_active | | | I/O | GPIO |
| 48 | - | - | IOBUS29 | Input | | | I/O | GPIO |
| 49 | - | - | IOBUS30 | Input | | | I/O | GPIO |
| 50 | - | - | IOBUS31 | Input | | | I/O | GPIO |
| 51 | - | - | IOBUS32 | spi_s0_clk | | | I/O | GPIO |
| 52 | - | - | IOBUS33 | spi_s0_mosi | | | I/O | GPIO |
| 55 | - | - | IOBUS34 | spi_s0_miso | | | I/O | GPIO |
| 56 | - | - | IOBUS35 | spi_s0_ss# | | | I/O | GPIO |
| 57 | - | - | IOBUS36 | spi_s1_clk | | | I/O | GPIO |
| 58 | - | - | IOBUS37 | spi_s1_mosi | | | I/O | GPIO |
| 59 | - | - | IOBUS38 | spi_s1_miso | | | I/O | GPIO |
| 60 | - | - | IOBUS39 | spi_s1_ss# | | | I/O | GPIO |
| 61 | - | - | IOBUS40 | spi_m_clk | | | I/O | GPIO |
| 62 | - | - | IOBUS41 | spi_m_mosi | | | I/O | GPIO |
| 63 | - | - | IOBUS42 | spi_m_miso | | | I/O | GPIO |
| 64 | - | - | IOBUS43 | spi_m_ss_0# | | | I/O | GPIO |

Table 3.4 Default I/O Configuration

Note: All GPIO are 5V safe inputs

4 Function Description

VNC2 is the second of FTDI's Vinculum family of Embedded USB host controller integrated circuit devices. VNC2 can encapsulate certain USB device classes by handling the USB Host Interface and data transfer functions using the in-built EMCU and embedded Flash memory. When interfacing to mass storage devices, such as USB Flash drives, VNC2 transparently handles the FAT file structure using a simple to implement command set. VNC2 provides a cost effective solution for introducing USB host capability into products that previously did not have the hardware resources to do so.

VNC2 has an associated software development tool suite to allow users to create customised firmware.

4.1 Key Features

VNC2 is a programmable SoC device with a powerful embedded microprocessor core and dual USB interfaces, large RAM and Flash capacity and the ability to develop and customise firmware using the VNC2 Toolchain. VNC2 has an enhanced feature list over and above VNC1L; however the 48 pin LQFP package is backward compatible with the VNC1L.

4.2 Functional Block Descriptions

The following paragraphs describe each function within VNC2. Please refer to the block diagram shown in **Figure 2.1**

4.2.1 Embedded CPU

The processor core is based on FTDI's proprietary 16-bit embedded MCU architecture. The EMCU has a Harvard architecture with separate code and data space.

4.2.2 Flash Module

VNC2 has 256k bytes (128k x 16-bits) of embedded Flash (E-FLASH) memory. No special programming voltages are necessary for programming the on-board E-FLASH as these are provided internally on-chip.

4.2.3 Flash Programming Module

The purpose of the flash programmer module is to perform all necessary operations for programming the flash, from general usage to first power on sequencing. This block is responsible for handling device firmware upgrades which can be accessed by the debugger interface, a USB cable or Flash drive interface.

4.2.4 Input / Output Multiplexer Module

VNC2 peripheral interfaces are UART, SPI slave0, SPI slave1, SPI master, FIFO-Asynchronous, FIFO-Synchronous, GPIO, debug interface and PWM.

The I/O multiplexer allows the designer to select which peripherals are connected to the device I/O pins.

The selectable peripheral interfaces are only limited by the number of I/O pins available. All peripherals are available across the package range except synchronous FIFO mode which cannot be selected on 32 pin packages. The available configurable I/O pins per package are as follows:

- 32 pin package – 12 I/O pins
- 48 pin package – 28 I/O pins
- 64 pin package – 44 I/O pins

Table 4.1 lists the peripherals which can be multiplexed to I/O and the maximum number of pins required for each one. The designer can choose any mix of peripheral configurations as long as they are within the specific package I/O pin count. Depending on the design not all 9 UART pins need to be configured. Similarly the GPIO peripheral does not need all pins configured.

E.g. The 48 pin package has 28 I/O pins which could be configured as UART – 9 pins, SPI Master – 5 pins, FIFO Asynchronous – 12 pins and GPIO – 2 pins. This makes a total of 28 pins.

Please refer to Section 5 for a detailed description of the I/O multiplexer.

| Peripherals | Maximum pins required |
|-------------------|-----------------------|
| UART | 9 |
| SPI Slave 0 | 4 |
| SPI Slave 1 | 4 |
| SPI Master | 5 |
| FIFO Asynchronous | 12 |
| FIFO Synchronous | 14 |
| GPIO | 40 |
| Debug | 1 |
| PWM | 8 |

Table 4.1 - Peripheral Pin Requirements

4.2.5 Peripheral DMA Modules 0, 1, 2 & 3

The peripheral DMA has the capability to transfer data to and from an I/O device. The CPU can offload the transfer of data between the processor and the peripheral freeing the CPU to execute other instructions.

The DMA module collects or transmits data from memory to an I/O address space; it is also capable of copying data in memory and transferring it to another location. The DMA is not accessible by the user as it automatically controlled by the CPU.

4.2.6 RAM Module

The RAM module consists of 16k bytes on-chip (4k x 32-bits) data memory. The RAM is byte addressable.

4.2.7 Peripheral Interface Modules

VNC2 has nine peripheral interface modules. Full descriptions of each module are described in Section 6.

- Debugger Interface
- UART
- PWM
- FIFO
- SPI Master
- SPI Slave 0 & 1
- GPIO - General purpose I/O pins
- General purpose timers

4.2.8 USB Transceivers 0 and 1

Two USB transceiver cells provide the physical USB device interface supporting USB 1.1 and USB 2.0 standards. Low-speed and full-speed USB data rates are supported. Each output driver provides +3.3V level slew rate control signalling, whilst a differential receiver and two single ended receivers provide USB DATA IN, SE0 and USB Reset condition detection. These cells also include integrated internal USB pull-up or pull-down resistors as required for host or slave mode.

4.2.9 USB Host / Device Controllers

These blocks handle the parallel-to-serial and serial-to-parallel conversion of the USB physical layer. This includes bit stuffing, CRC generation, USB frame generation and protocol error checking. The Host / Device controller is autonomous and therefore requires limited load from the CPU.

4.2.10 12MHz Oscillator

The 12MHz Oscillator cell generates a 12MHz reference clock input to the Clock Multiplier PLL from an external 12MHz crystal. The external crystal is connected across Pin 4 – XTIN and Pin 5 – XTOUT in the configuration shown in Figure 10.1.

4.2.11 Power Saving Modes and Standby mode

VNC2 can be set to operate in three frequencies allowing the user to select a slower speed to reduce power consumption. Three operating frequencies available are 12MHz, 24MHz and normal operation of 48MHz. These operating modes can be configured using the RTOS. Full details are available in the RTOS manual available from the [FTDI website](#).

When a particular peripheral is not used, it is powered down internally thus saving power.

Standby mode is available under firmware control, this mode puts the VNC2 in a state with no clocks running or system blocks powered. The device will wake up out of this mode by toggling any of the following signals: USB0/1 DP or DM, SPI slave 0 select (spi_s0_ss#), SPI slave 1select (spi_s1_ss#) or UART ring indicator (uart_ri#).

5 I/O Multiplexer

FTDI devices typically have multiple interfaces available to communicate with external devices. VNC2 has UART, SPI slave0, SPI slave1, SPI master, FIFO, GPIO, and PWM peripherals. The available packages for VNC2 provide any of these interfaces to be active on the available pins through the use of an I/O Multiplexer. **Table 5.1** lists the signals available for each peripheral. **Table 5.2 to Table 5.5** explains the use of the I/O multiplexer.

Multiplexers are used to connect the VNC2 peripherals to the external IOBUS pins. This enables the designer to select which IOBUS pins he wishes to map a particular peripheral to. Peripheral signals are allocated to one of four groups, which connect to the I/O multiplexer. Each I/O peripheral signal can connect to one out of every four external IOBUS pins. The IOBUS pin that a peripheral signal can connect to is dictated by the peripheral signal's group. For example, if a peripheral signal is allocated to group 0 then it can connect to IOBUS0, IOBUS4, IOBUS8, and IOBUS12 and so on. If a peripheral signal is allocated to group 1 then it can connect to IOBUS1, IOBUS5, IOBUS9, and IOBUS13 and so on. Figure 5.1 details the I/O multiplexer concept, where, for example, a white peripheral signal can connect to any white IOBUS pin; a green peripheral signal can connect to a green IOBUS pin. Figure 5.2, Figure 5.3 and Figure 5.4 give examples of connecting peripheral signals to differing IOBUS pins.

The IO Multiplexer also provides the following features:

- Ability to configure an I/O pad as an input, output or bidirectional pad.
- At power on reset, all pins are set as inputs by default. Whenever the I/O Mux is enabled the pins are configured as their default values listed Table 6 within section **3.12**.

Note: It is recommended not to reassign the debug interface signal (debug_if) from its default setting of IOBUS0 (Pin 11 on all packages). This assumes that the debug pin is required in the application design, if not; pin 11 can be assigned to any other group 0 signal.

An application (IOMUX) within the RTOS is available to aid with pin configuration, **Section 5.2** has more details. Further details of the IO Multiplexer are available within Application Note AN_139 [Vinculum-II IO Mux Explained](#).

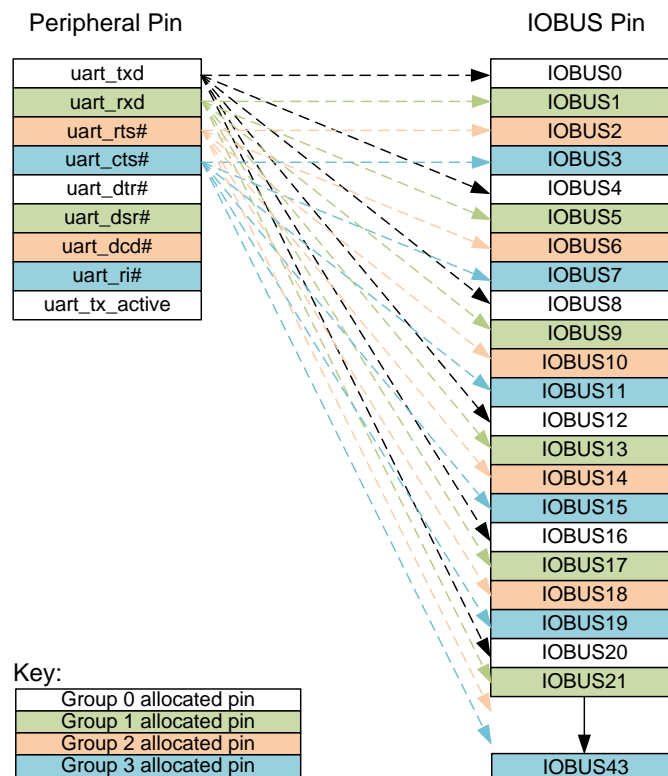


Figure 5.1 IOBUS to Group Relationship-64 Pin

Figure 5.2 details the UART, SPI slave0 and SPI master connecting to IOBUS pins:



Figure 5.2 IOBUS to UART, SPI slave0 and SPI master example

Figure 5.3 expands upon Figure 5.2 by moving the UART, SPI slave0 and SPI master signals to different IOBUS positions. The purpose of this diagram to highlight peripherals connected to differing IOBUS positions.

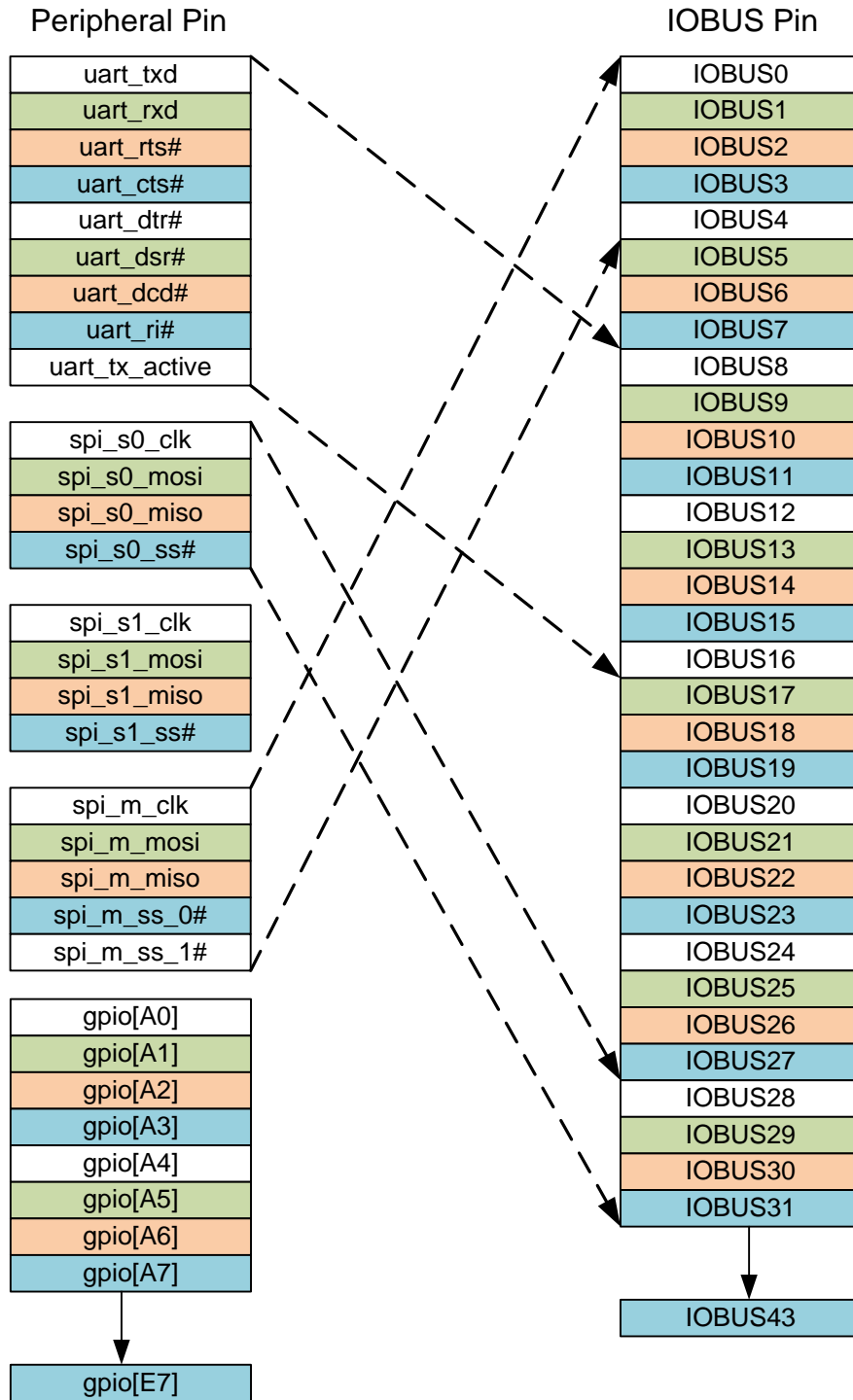


Figure 5.3 IOBUS to UART, SPI slave0 and SPI master second example

With reference to Figure 5.3, it can be seen that IOBUS9-11 and IOBUS16-19 were unused. Figure 5.4 expands upon the previous two figures to detail a fully occupied IOBUS, up to and including IOBUS19. The gaps at IOBUS9-11 have been filled with 3 GPIO pins, the gaps at IOBUS16-19 have been filled with the second SPI slave and a further 3 IOBUS pins (17-19) have been allocated to 3 GPIO pins. Note that GPIO pins A0 and A4 are unused as a sufficient gap wasn't available.

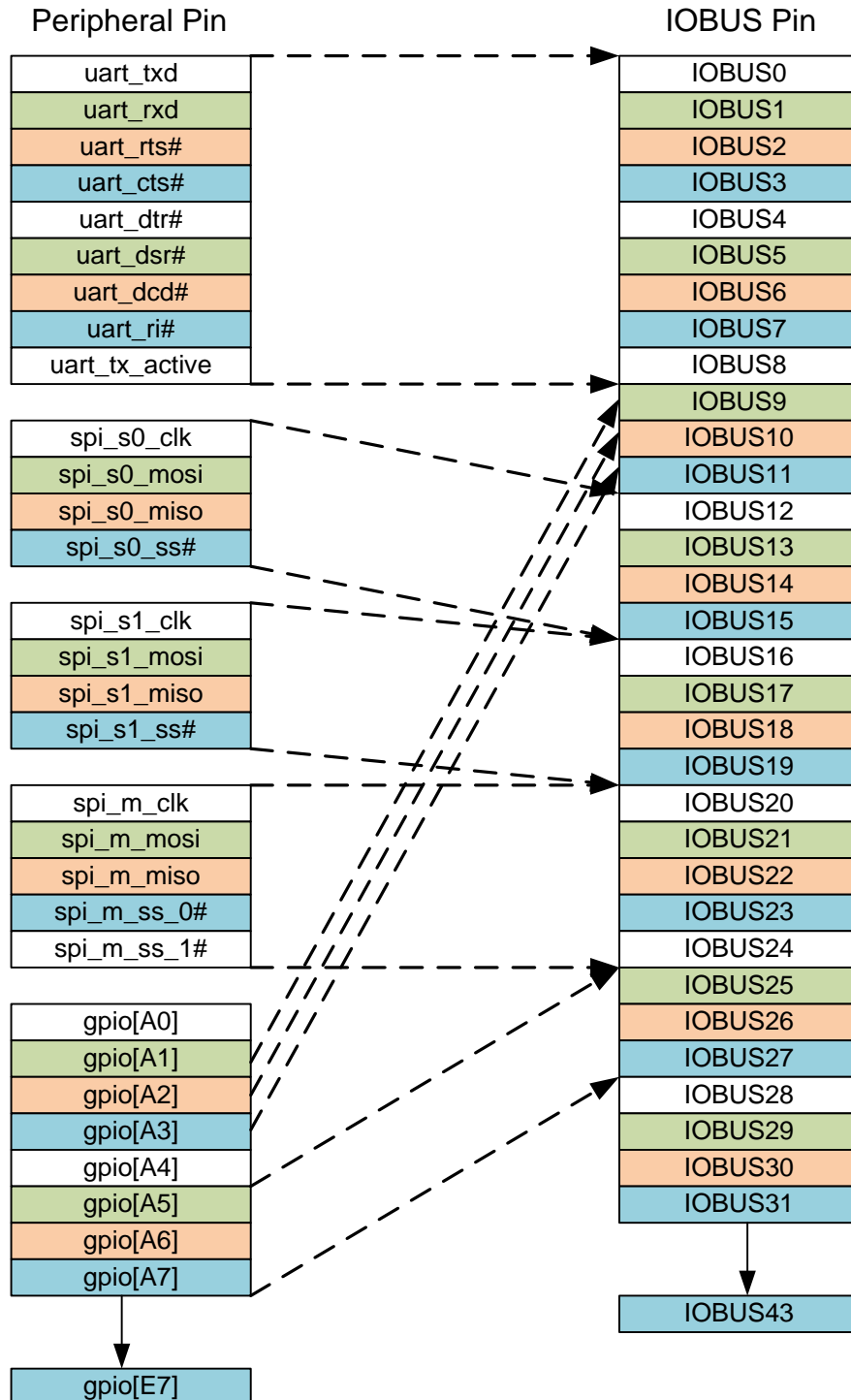


Figure 5.4 IOBUS to UART, SPI slave0 and SPI master third example

5.1 I/O Peripherals Signal Names

| Peripheral | Signal Name | Outputs | Inputs | Description |
|-------------|----------------|---------|--|--|
| Debugger | debug_if | 1 | 1 | debugger interface |
| UART | uart_txd | 1 | 0 | Transmit asynchronous data output |
| | uart_rts# | 1 | 0 | Request to send control output |
| | uart_dtr# | 1 | 0 | Data acknowledge (data terminal ready control) output |
| | uart_tx_active | 1 | 0 | Enable transmit data for RS485 designs |
| | uart_rxd | 0 | 1 | Receive asynchronous data input |
| | uart_cts# | 0 | 1 | Clear to send control input |
| | uart_dsr# | 0 | 1 | Data request (data set ready control) input |
| | uart_ri# | 0 | 1 | Ring indicator control input |
| FIFO | uart_dcd# | 0 | 1 | Data carrier detect control input |
| | fifo_data | 8 | 8 | FIFO data bus |
| | fifo_txe# | 1 | 0 | When high, do not write data into the FIFO. When low, data can be written into the FIFO by strobing WR high, then low. |
| | fifo_rxf# | 1 | 0 | When high, do not read data from the FIFO. When low, there is data available in the FIFO which can be read by strobing RD# low, then high. |
| | fifo_wr# | 0 | 1 | Writes the data byte on the D0...D7 pins into the transmit FIFO buffer when WR goes from high to low. |
| | fifo_rd# | 0 | 1 | Enables the current FIFO data byte on D0...D7 when low. Fetches the next FIFO data byte (if available) from the receive FIFO buffer when RD# goes from high to low |
| | fifo_oe# | 0 | 1 | FIFO output enable – synchronous FIFO only |
| fifo_clkout | 0 | 1 | FIFO clock out – synchronous FIFO only | |
| GPIO | gpio | 40 | 40 | General purpose I/O |
| SPI Slave 0 | spi_s0_clk | 0 | 1 | SPI clock input – slave 0 |
| | spi_s0_ss# | 0 | 1 | SPI chip select input – slave 0 |
| | spi_s0_mosi | 1 | 1 | SPI master out serial in – slave 0 |
| | spi_s0_miso | 1 | 0 | SPI master in slave out – slave 0 |
| SPI Slave 1 | spi_s1_clk | 0 | 1 | SPI clock input – slave 1 |
| | spi_s1_ss# | 0 | 1 | SPI chip select input – slave 1 |
| | spi_s1_mosi | 1 | 1 | Master out slave in – slave 1 |
| | spi_s1_miso | 1 | 0 | Master in slave out – slave 1 |
| SPI Master | spi_m_clk | 1 | 0 | SPI clock input – master |
| | spi_m_mosi | 1 | 1 | Master out slave in - master |
| | spi_m_miso | 0 | 1 | Master in slave out - master |
| | spi_m_ss_0# | 1 | 0 | Active low slave select 0 from master to slave 0 |
| | spi_m_ss_1# | 1 | 0 | Active low slave select 1 from master to slave 1 |
| PWM | pwm | 8 | 0 | Pulse width modulation |

Table 5.1 I/O Peripherals Signal Names

Note: # is used to indicate an active low signal.

5.2 I/O Multiplexer Configuration

The VNC2 I/O Multiplexer allows signals to be routed to different pins on the device. To simplify the routing of signals, the VNC2 RTOS provides a utility (IOMux) to configure the I/O Multiplexer as the designer requires. The IOMux is fully integrated into the VNC2 IDE (Integrated development Environment) which is available to download: [Vinculum-II Toolchain](#). A screenshot of the IOMux utility is shown in figure 5.5 below.

The IOMux utility user guide is available to download: [VINCULUM-II IO Mux Configuration Utility User Guide](#)

The following tables provide a lookup guide to determine what signals are available and the list of pins that can be used:

- **Table 5.2 Group 0**
- **Table 5.3 Group 1**
- **Table 5.4 Group 2**
- **Table 5.5 Group 3**

Each VNC2 has a default state of IOBUS signals following a hard reset. The number of I/O pins available is determined by the package size:

- Package 32pin (LQFP & QFN)- Twelve I/O pins – IOBUS0 to IOBUS11
- Package 48pin (LQFP & QFN)- Twenty eight I/O pins – IOBUS0 to IOBUS27
- Package 64pin (LQFP & QFN)- Forty-four I/O pins – IOBUS0 to IOBUS43

Section **3.12** shows the default signal settings for all three package sizes.

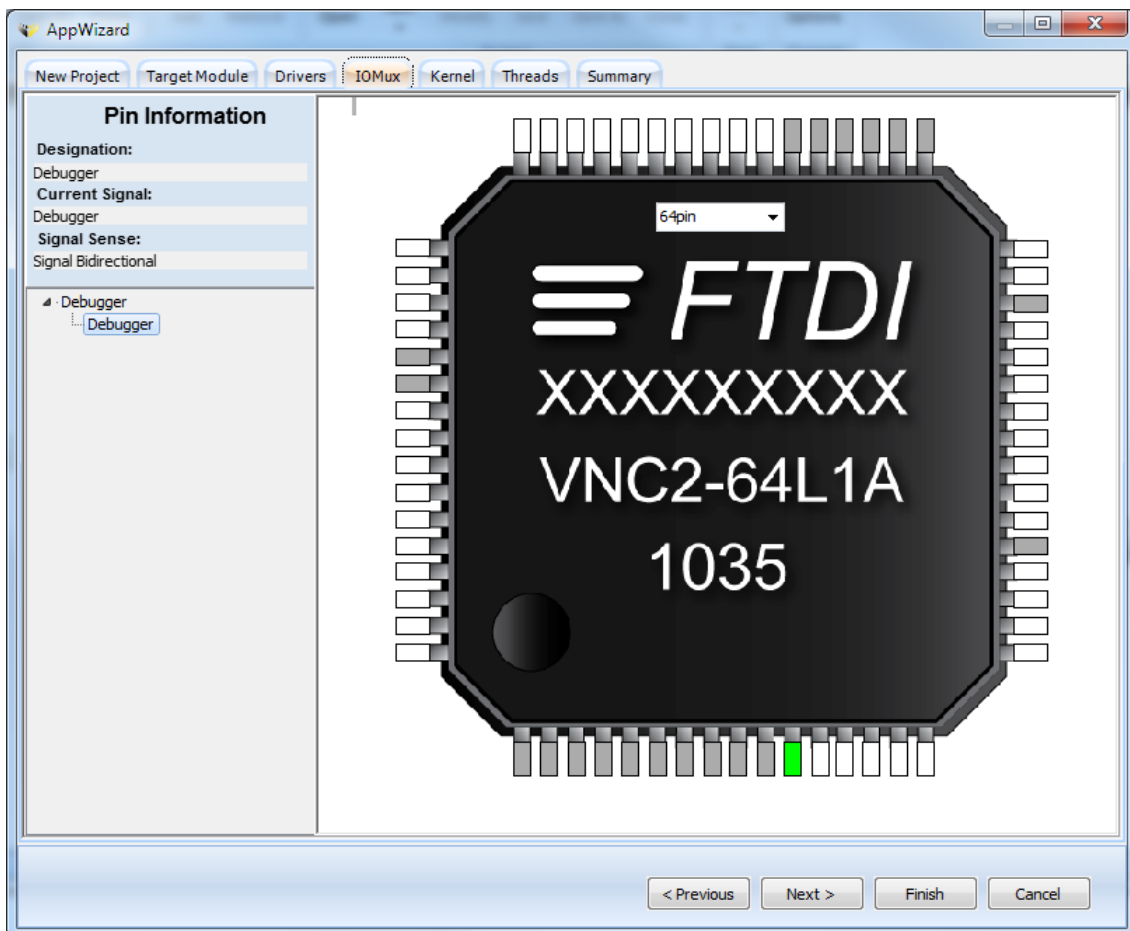


Figure 5.5 VNC2 Toolchain App Wizard showing IOMux Configuration

5.3 I/O Mux Group 0

| Available Input signals | Available output signals | 64 Pin Package Available pins | 48 Pin Package Available pins | 32 Pin Package Available pins |
|--|--|---|-------------------------------------|-------------------------------|
| debug_if fifo_data[0] fifo_data[4] fifo_oe# spi_s0_clk spi_s1_clk gpio[A0] gpio[A4] gpio[B0] gpio[B4] gpio[C0] gpio[C4] gpio[D0] gpio[D4] gpio[E0] gpio[E4] | debug_if uart_txd uart_dtr# uart_tx_active fifo_data[0] fifo_data[4] fifo_rxf# pwm[0] pwm[4] spi_m_clk spi_m_ss_1# gpio[A0] gpio[A4] gpio[B0] gpio[B4] gpio[C0] gpio[C4] gpio[D0] gpio[D4] gpio[E0] gpio[E4] | 11, 15, 19, 24, 28, 39, 43, 47, 51, 57, 61 | 11, 15, 20, 31, 35, 41, 45 | 11, 23 29 |

Table 5.2 Group 0

Table 5.2 - Input and output signals that are available for all the IOBUS pins that are in group 0. For example if using the 48 pin package device this would allow pins 11, 15, 20, 31, 35, 41 and 45 to be configured as either an input signal (listed in the first column) or a output signal (listed in the second column).

5.4 I/O Mux Group 1

| Available Input signals | Available output signals | 64 Pin Package Available pins | 48 Pin Package Available pins | 32 Pin Package Available pins |
|---|--|---|------------------------------------|-------------------------------|
| uart_rxd uart_dsr# fifo_data[1] fifo_data[5] spi_s0_mosi spi_s1_mosi gpio[A1] gpio[A5] gpio[B1] gpio[B5] gpio[C1] gpio[C5] gpio[D1] gpio[D5] gpio[E1] gpio[E5] | fifo_data[1] fifo_data[5] fifo_txe# pwm[1] pwm[5] spi_s0_mosi spi_s1_mosi spi_m_mosi fifo_clkout gpio[A1] gpio[A5] gpio[B1] gpio[B5] gpio[C1] gpio[C5] gpio[D1] gpio[D5] gpio[E1] gpio[E5] | 12, 16, 20, 25, 29, 40, 44, 48, 52, 58, 62 | 12,16, 21, 32, 36, 42, 46 | 12, 24, 30 |

Table 5.3 Group 1

Table 5.3 - Input and output signals that are available for all the IOBUS pins that are in group 1. For example if using the 64 pin package device this would allow pins 12, 16, 20, 25, 29, 40, 44, 48, 52, 58 and 62 to be configured as either an input signal (listed in the first column) or a output signal (listed in the second column).

5.5 I/O Mux Group 2

| Available Input signals | Available output signals | 64 Pin Package Available pins | 48 Pin Package Available pins | 32 Pin Package Available pins |
|---|---|---|-------------------------------------|-------------------------------|
| uart_dcd# fifo_data[2] fifo_data[6] fifo_rd# spi_m_miso gpio[A2] gpio[A6] gpio[B2] gpio[B6] gpio[C2] gpio[C6] gpio[D2] gpio[D6] gpio[E2] gpio[E6] | uart_rts# fifo_data[2] fifo_data[6] pwm[2] pwm[6] spi_s0_miso spi_s1_miso gpio[A2] gpio[A6] gpio[B2] gpio[B6] gpio[C2] gpio[C6] gpio[D2] gpio[D6] gpio[E2] gpio[E6] | 13, 17, 22, 26, 31, 41, 45, 49, 55, 59, 63 | 13, 18, 22, 33, 37, 43, 47 | 14, 25, 31 |

Table 5.4 Group 2

Table 5.4 - Input and output signals that are available for all the IOBUS pins that are in group 2. For example if using the 32 pin package device this would allow pins 14, 25 and 31 to be configured as either an input signal (listed in the first column) or a output signal (listed in the second column).

5.6 I/O Mux Group 3

| Available Input signals | Available output signals | 64 Pin Package Available pins | 48 Pin Package Available pins | 32 Pin Package Available pins |
|--|---|---|-------------------------------------|-------------------------------|
| uart_cts# uart_r# fifo_data[3] fifo_data[7] fifo_wr# spi_s0_ss# spi_s1_ss# gpio[A3] gpio[A7] gpio[B3] gpio[B7] gpio[C3] gpio[C7] gpio[D3] gpio[D7] gpio[E3] gpio[E7] | fifo_data[3] fifo_data[7] pwm[3] pwm[7] spi_m_ss_0# gpio[A3] gpio[A7] gpio[B3] gpio[B7] gpio[C3] gpio[C7] gpio[D3] gpio[D7] gpio[E3] gpio[E7] | 14, 18, 23, 27, 32, 42, 46, 50, 56, 60, 64 | 14, 19, 23, 34, 38, 44, 48 | 15, 26, 32 |

Table 5.5 Group 3

Table 5.5 - Input and output signals that are available for all the IOBUS pins that are in group 3. For example if you using the 48 pin package device this would allow pins 14, 19, 23, 34, 38, 44 and 48 to be configured as either an input signal (listed in the first column) or a output signal (listed in the second column).

5.7 I/O Mux Interface Configuration Example

This example shows how to set a UART interface on the VNC2 64 pin package. The UART is made up of two output signals (uart_txd and uart_rts#) and two input signals (uart_rxd and uart_cts#). For PCB design it is best to have the four pins of the UART interface adjacent to each other. This can be achieved easily since the four signals are members of each different groups. **Figure 5.1** clearly shows that the four groups are adjacent to each other. So the four adjacent pins can be used for the UART interface as long as they are selected one from each of the four groups. Tables 9, 10, 11 & 12 can now be used to select where the UART interface can be placed. **Figure 5.6** shows the four UART signal selected on pins 11, 12, 13 & 14 however they could have been selected on any of the other four pins highlighted in blue dashed lines.

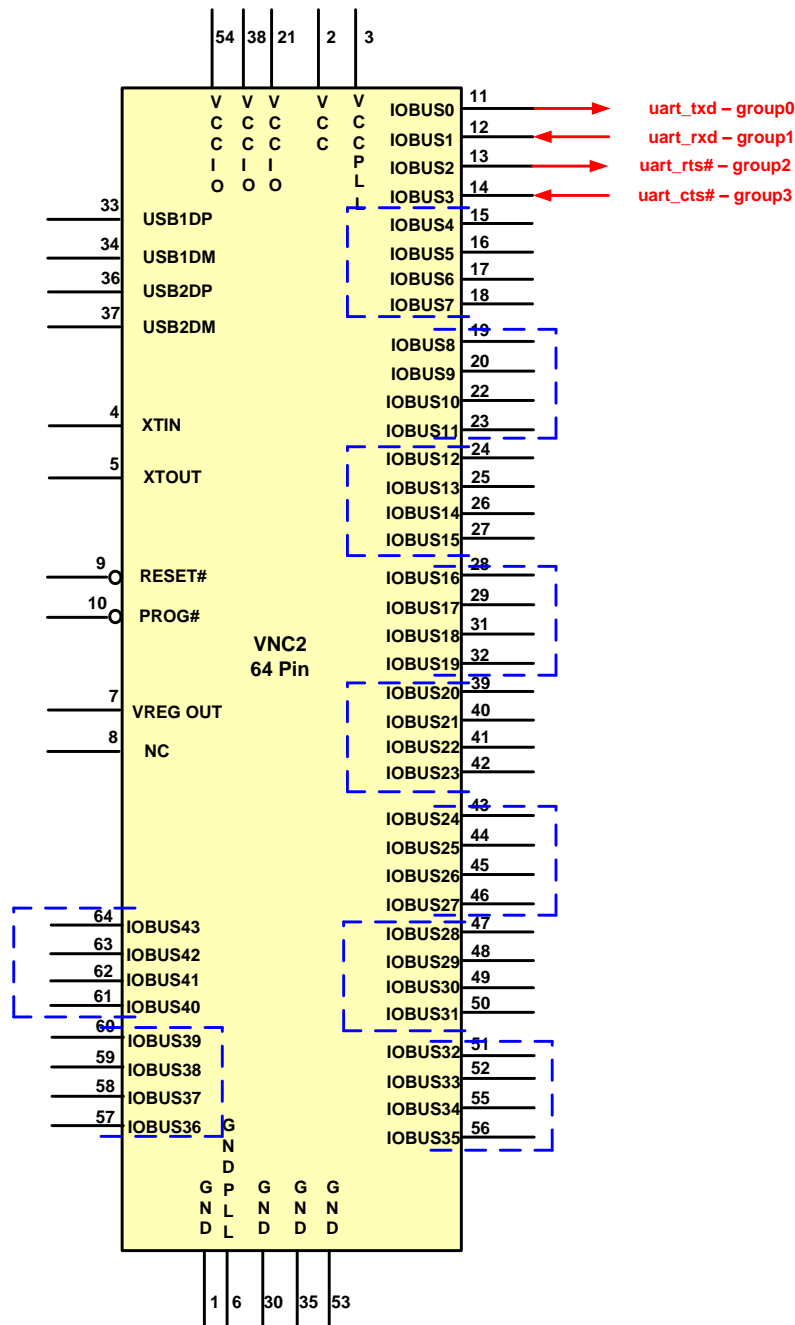


Figure 5.6 UART Example 64 pin

6 Peripheral Interfaces

In addition to the two USB Host and Slave blocks, VNC2 contains the following peripheral interfaces:

- Universal Asynchronous Receiver Transmitter (UART)
- Two Serial Peripheral Interface (SPI) slaves
- SPI Master
- Debugger Interface
- Parallel FIFO Interface (245 mode and synchronous FIFO mode)
- General Purpose Timers
- Eight Pulse Width Modulation blocks (PWM)
- General Purpose Input Output (GPIO)

The following sections describe each peripheral in detail.

6.1 UART Interface

When the data and control bus are configured in UART mode, the interface implements a standard asynchronous serial UART port with flow control, for example RS232/422/485. The UART can support baud rates from 183 baud to 6 Mbaud. The maximum UART speed is determined by the CPU speed/8. The CPU can be run at three frequencies, therefore the following maximum rates apply:

| CPU Frequency | Maximum UART Speed |
|---------------|--------------------|
| 48 MHz | 6 Mbaud |
| 24 MHz | 3 Mbaud |
| 12 MHz | 1.5 Mbaud |

Data transfer uses NRZ (Non-Return to Zero) data format consisting of 1 start bit, 7 or 8 data bits, an optional parity bit, and one or two stop bits. When transmitting the data bits, the least significant bit is transmitted first. Transmit and receive waveforms are illustrated in **Figure 6.1** and **Figure 6.2**:

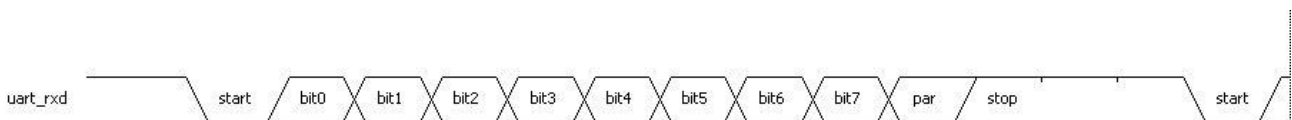


Figure 6.1 UART Receive Waveform

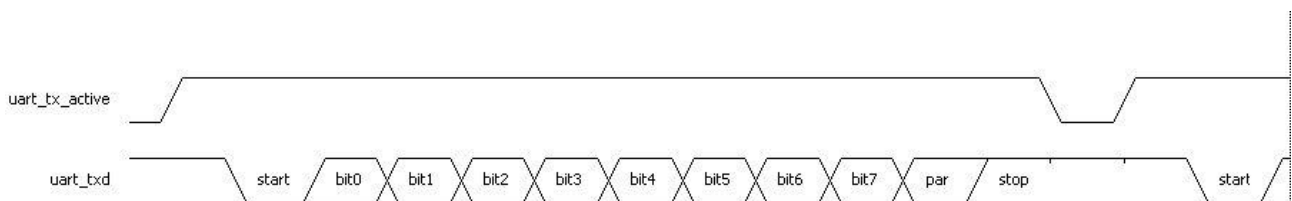


Figure 6.2 UART Transmit Waveform

Baud rate (default = 9600 baud), flow control settings (default = RTS/CTS), number of data bits (default=8), parity (default is no parity) and number of stop bits (default=1) are all configurable using the firmware command interface. Please refer to <http://www.ftdichip.com>.

uart_tx_active is transmit enable, this output may be used in RS485 designs to control the transmit of the line driver.

6.1.1 UART Mode Signal Descriptions

| 64 Pin Package Available pins | 48 Pin Package Available pins | 32 Pin Package Available pins | Name | Type | Description |
|--|-------------------------------|-------------------------------|----------------|--------|---|
| 11, 15, 19, 24, 28, 39, 43, 47, 51, 57, 61 | 11, 15, 20, 31, 35, 41, 45 | 11, 23, 29 | uart_tx_d | Output | Transmit asynchronous data output |
| 12, 16, 20, 25, 29, 40, 44, 48, 52, 58, 62 | 12,16, 21, 32, 36, 42, 46 | 12, 24, 30 | uart_rx_d | Input | Receive asynchronous data input |
| 13, 17, 22, 26, 31, 41, 45, 49, 55, 59, 63 | 13, 18, 22, 33, 37, 43, 47 | 14, 25, 31 | uart_rt_s# | Output | Request to send control output |
| 14, 18, 23, 27, 32, 42, 46, 50, 56, 60, 64 | 14, 19, 23, 34, 38, 44, 48 | 15, 26, 32 | uart_ct_s# | Input | Clear to send control input |
| 11, 15, 19, 24, 28, 39, 43, 47, 51, 57, 61 | 11, 15, 20, 31, 35, 41, 45 | 11, 23, 29 | uart_dt_r# | Output | Data acknowledge (data terminal ready control) output |
| 13, 17, 22, 26, 31, 41, 45, 49, 55, 59, 63 | 13, 18, 22, 33, 37, 43, 47 | 14, 25, 31 | uart_d_cd# | Input | Data carrier detect control input |
| 14, 18, 23, 27, 32, 42, 46, 50, 56, 60, 64 | 14, 19, 23, 34, 38, 44, 48 | 15, 26, 32 | uart_ri_# | Input | Ring indicator is used to wake VNC2 depending on firmware |
| 11, 15, 19, 24, 28, 39, 43, 47, 51, 57, 61 | 11, 15, 20, 31, 35, 41, 45 | 11, 23, 29 | uart_tx_active | Output | Enable transmit data for RS485 designs. This signal may be used to signal that a transmit operation is in progress. The uart_tx_active signal will be set high one bit-time before data is transmitted and return low one bit time after the last bit of a data frame has been transmitted. |

Table 6.1 Data and Control Bus Signal Mode Options – UART Interface

The UART signals can be programmed to a choice of I/O pins depending on the package size. **Table 6.1** details the available pins for each of the UART signals. Further details on the configuration of input and output signals are available in **Section 5 - I/O Multiplexer**.

6.2 Serial Peripheral Interface – SPI Modes

The Serial Peripheral Interface Bus is an industry standard communications interface. Devices communicate in Master / Slave mode, with the Master initiating the data transfer.

VNC2 has one master module and two slave modules. Each SPI slave module has four signals – clock, slave select, MOSI (master out – slave in) and MISO (master in – slave out). The SPI Master has the same four signals as the slave modules but with one additional signal because it requires a slave select for the second slave module. **Table 6.2** lists how the signals are named in each module.

The SPI Master clock can operate up to one half of the CPU system clock depending on what power mode the device is set to:

- Normal power mode 48Mhz would set the SPI maximum clock to 24Mhz
- Low power mode 24Mhz would set the SPI maximum clock to 12Mhz
- Lowest power mode 12Mhz would set the SPI maximum clock to 6Mhz

| Module | Signal Name | Type | Description |
|-------------|-------------|--------|--|
| SPI Slave 0 | spi_s0_clk | Input | Clock input – slave 0 |
| | spi_s0_ss# | Input | Active low chip select input – slave 0 |
| | spi_s0_mosi | Input | Master out serial in – slave 0 |
| | spi_s0_miso | Output | Master in slave out – slave 0 |
| SPI Slave 1 | spi_s1_clk | Input | Clock input – slave 1 |
| | spi_s1_ss# | Input | Active low chip select input – slave 1 |
| | spi_s1_miso | Output | Master in slave out – slave 1 |
| SPI Master | spi_m_clk | Output | Clock output – master |
| | spi_m_mosi | Output | Master out slave in - master |
| | spi_m_miso | Input | Master in slave out - master |
| | spi_m_ss_0# | Output | Active low slave select 0 from master to slave 0 |
| | spi_m_ss_1# | Output | Active low slave select 1 from master to slave 1 |

Table 6.2 SPI Signal Names

The SPI slave protocol by default does not support any form of handshaking. FTDI have added extra modes to support handshaking, faster throughput of data and reduced pin count. There are 5 modes (Table 15) of operation in the VNC2 SPI Slave.

- Full Duplex – **Section 0**
- Half Duplex, 4 pin - **Section 6.3.3**
- Half Duplex, 3 pin - **Section 6.3.4**
- Unmanaged - **Section 6.3.5**
- VNC1L legacy mode – **Section 6.3.6**

| Mode | Pins | Word Size | Handshaking | Speed | Comments |
|-------------------|------|-----------|-------------|-------------------------|-----------------------------|
| VNC1L | 4 | 12 | Yes | Read 66% Write 66% | Legacy mode |
| Full Duplex | 4 | 8 | Yes | Read 50% Write 100% | |
| Half Duplex 4 pin | 4 | 8 | Yes | Read 100% Write 100% | MOSI becomes bi-directional |
| Half Duplex 3 pin | 3 | 8 | Yes | Read 50% Write 50% | MOSI becomes bi-directional |
| Unmanaged | 4 | 8 | No | Read 100% Write 100% | |

Table 6.3 - SPI Slave Speeds

VNC2 SPI Master is described in **Section 6.4.1 SPI Master Signal Descriptions**

Table 6.5 shows the SPI master signals and the available pins that they can be mapped to depending on the package size. Further details on the configuration of input and output signals are available in **Section 5 - I/O Multiplexer**.

6.2.1 SPI Clock Phase Modes

SPI interface has 4 unique modes of clock phase (CPHA) and clock polarity (CPOL), known as Mode 0, Mode 1, Mode 2 and Mode 3. **Table 6.4** summarizes these modes and available interface and **Figure 6.3** is the function timing diagram.

For CPOL = 0, the base (inactive) level of SCLK is 0.

In this mode:

- When CPHA = 0, data is clocked in on the rising edge of SCLK, and data is clocked out on the falling edge of SCLK.
- When CPHA = 1, data is clocked in on the falling edge of SCLK, and data is clocked out on the rising edge of SCLK

For CPOL =1, the base (inactive) level of SCLK is 1.

In this mode:

- When CPHA = 0, data v in on the falling edge of SCLK, and data is clocked out on the rising edge of SCLK
- When CPHA =1, data is clocked in on the rising edge of SCLK, and data is clocked out on the falling edge of SCLK.

| Mode | CPOL | CPHA | Full Duplex | Half Duplex 4 pin | Half Duplex 3 pin | Unmanaged | VNC1L Legacy |
|------|------|------|-------------|-------------------|-------------------|-----------|--------------|
| 0 | 0 | 0 | N | N | N | Y | N |
| 1 | 0 | 1 | Y | Y | Y | Y | N |
| 2 | 1 | 0 | N | N | N | Y | N |
| 3 | 1 | 1 | Y | Y | Y | Y | N |

Table 6.4 - Clock Phase/Polarity Modes

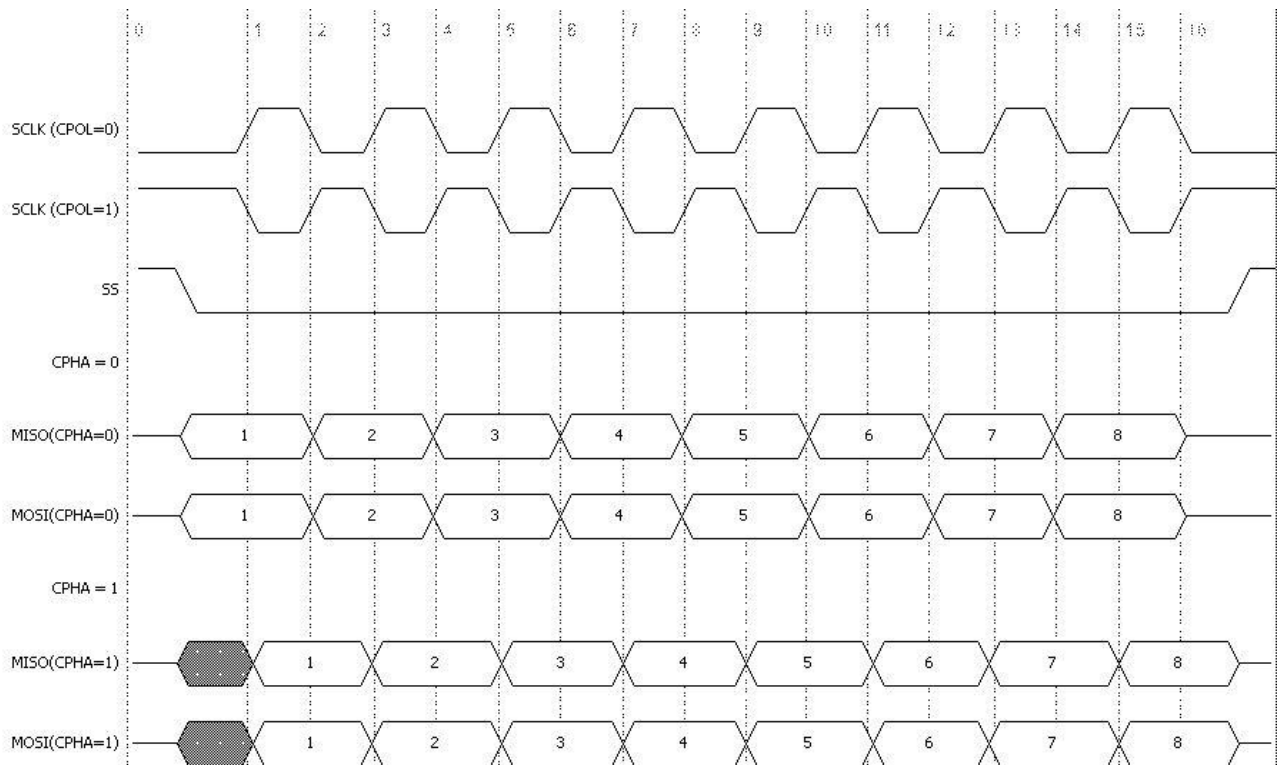


Figure 6.3 - SPI CPOL CPHA Function

6.3 Serial Peripheral Interface – Slave



Figure 6.4 SPI Slave block diagram

VNC2 has two SPI Slave modules both of which use four wire interfaces: MOSI, MISO, CLK and SS#. Their main purpose is to send data from main memory to the attached SPI master, and / or receive data and send it to main memory. The SPI Slave is controlled by the internal CPU using internal memory mapped I/O registers. It operates from the main system clock, although sampling of input data and transmission of output data is controlled by the SPI clock (CLK). An SPI transfer can only be initiated by the SPI Master and begins with the slave select signal being asserted. This is followed by a data byte being clocked out with the master supplying CLK. The master always supplies the first byte, which is called a command byte. After this the desired number of data bytes are transferred before the transaction is terminated by the master de-asserting slave select. An SPI Master is able to abort a transfer at any time by de-asserting its SS# output. This will cause the Slave to end its current transfer and return to idle state.

6.3.1 SPI Slave Signal Descriptions

| 64 Pin Package Available pins | 48 Pin Package Available pins | 32 Pin Package Available pins | Name | Type | Description |
|--|-------------------------------|-------------------------------|----------------------------|--------|--|
| 11, 15, 19, 24, 28, 39, 43, 47, 51, 57, 61 | 11, 15, 20, 31, 35, 41, 45 | 11, 23, 29 | spi_s0_clk spi_s1_clk | Input | Slave clock input |
| 12, 16, 20, 25, 29, 40, 44, 48, 52, 58, 62 | 12,16, 21, 32, 36, 42, 46 | 12, 24, 30 | spi_s0_mosi spi_s1_mosi | Input | Master Out Slave In Synchronous data from master to slave |
| 13, 17, 22, 26, 31, 41, 45, 49, 55, 59, 63 | 13, 18, 22, 33, 37, 43, 47 | 14, 25, 31 | spi_s0_miso spi_s1_miso | Output | Master In Slave Out Synchronous data from slave to master |
| 14, 18, 23, 27, 32, 42, 46, 50, 56, 60, 64 | 14, 19, 23, 34, 38, 44, 48 | 15, 26, 32 | spi_s0_ss# spi_s1_ss# | Input | Slave chip select |

Table 6.5 Data and Control Bus Signal Mode Options - SPI Slave Interface

6.3.2 Full Duplex

In full duplex mode, the SPI slave sends data on MISO line at the same time as it receives data on MOSI. During the command phase this data is always the slave status byte. For a write command, write data can be streamed out of MOSI and status can be sent during each write phase from slave to master. As long as the slave status indicates that it can receive more data, the master can continue to stream further write bytes. **Figure 6.5** is an example of this.

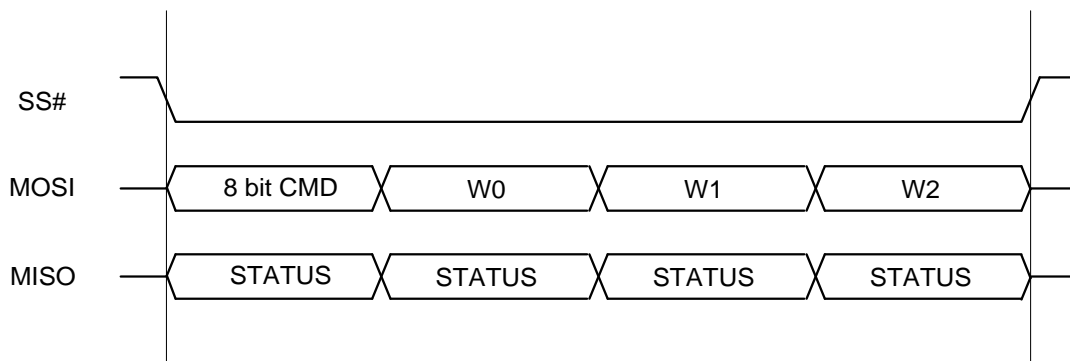


Figure 6.5 Full Duplex Data Master Write

When the master is performing a data read, the data and status both need to share the same pin (MISO). In this case the master and slave will exchange command and status bytes, followed by the slave sending its data. If the Master keeps SS# active the Slave will send a further status byte after the data followed by another data byte. This continues until the Master indicates the end of the communications by raising SS#. **Figure 6.6** is an example of this.

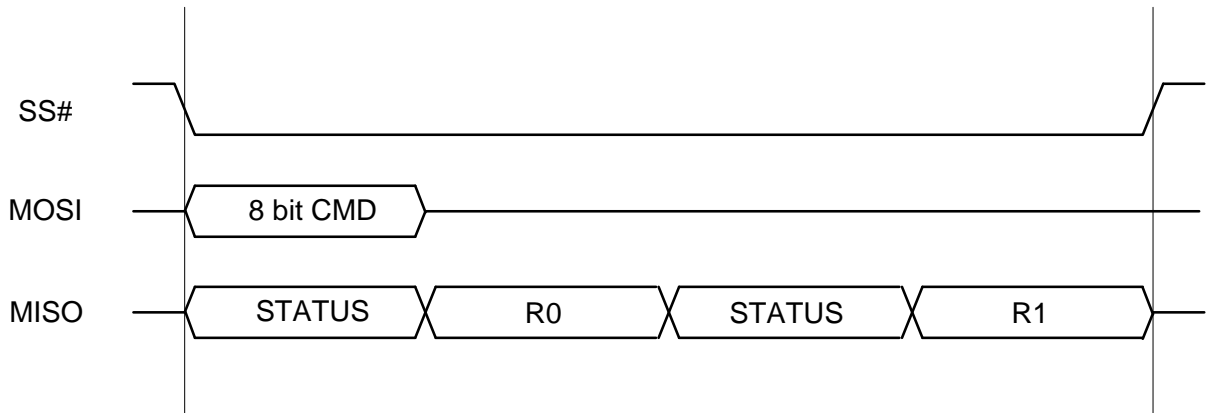


Figure 6.6 Full Duplex Data Master Read

The command and status formats for this mode can be seen in **Figure 6.7** below with a description of each field in **Table 6.6**:

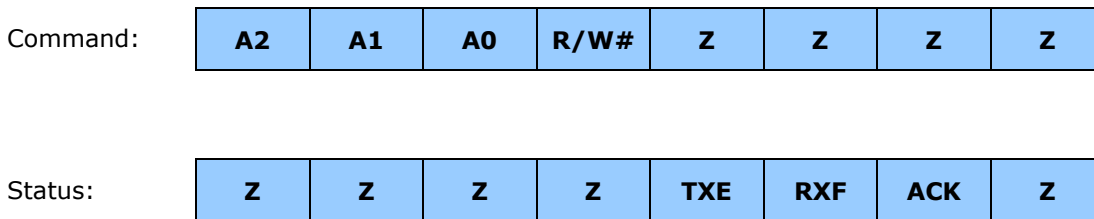


Figure 6.7 SPI Command and Status Structure

| Field | Description |
|-------|--|
| A2:A0 | Address of slave being used in a multi-slave environment. This would typically be used in the scenario where a shared data bus is used. |
| R/W# | Set to '1' for a read and '0' for a write. |
| Z | Tri-stated. |
| TXE | Transmit Empty. When '1' the Slave transmit buffer has no new data to transmit. When '0' the Slave transmit buffer does have new data. |
| RXF | Receive Full. When '1' the Slave receive buffer has new data which has not been read yet. When '0' the Slave receive buffer is empty and can be safely written to. |
| ACK | Set to '1' when a Slave has correctly decoded its address. |

Table 6.6 SPI Command and Status Fields

6.3.3 Half Duplex, 4 pin

In half duplex mode, the MOSI signal is shared for both Master to Slave and Slave to Master communications. When using 4 pins, the MISO signal carries the status bits. The Master initiates data write transfer, this by asserting SS# and then sending out a command byte. This has the same format as that shown in **Figure 6.7**. The Slave sends status during this command phase and if this indicates that the Slave can accept data the Master will follow this up with a byte of write data. If the status continues to indicate that more data can be written, a whole stream of data can be written following one single command. The operation completes when the Master raises SS# again. **Figure 6.8** is an example of this.

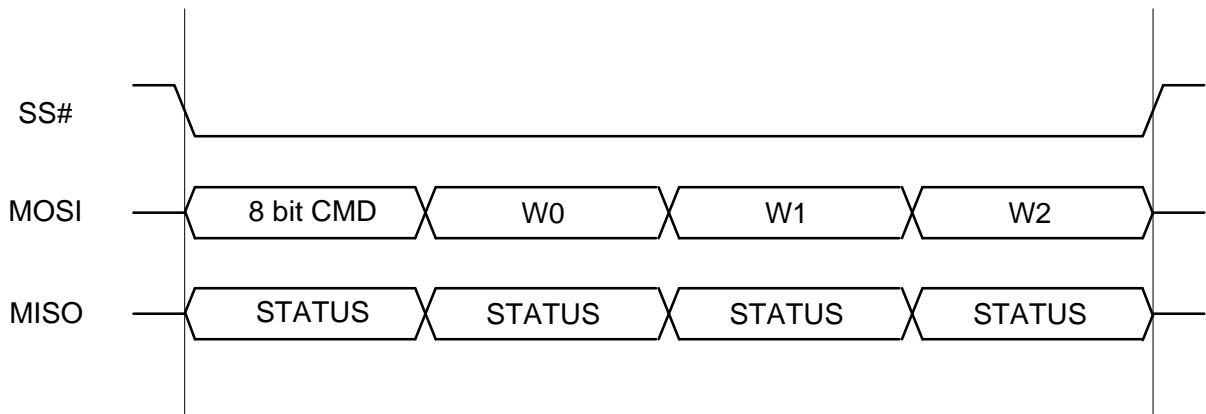


Figure 6.8 Half Duplex Data Master Write

Data reads are similar, apart from the MOSI pin changing from Slave input to Slave output after the command phase. **Figure 6.9** is an example. In this diagram, the Master drives the command while the Slave returns with status. Then the MOSI buffers are turned round and a stream of read data is sent from the Slave to the Master on the MOSI signal.

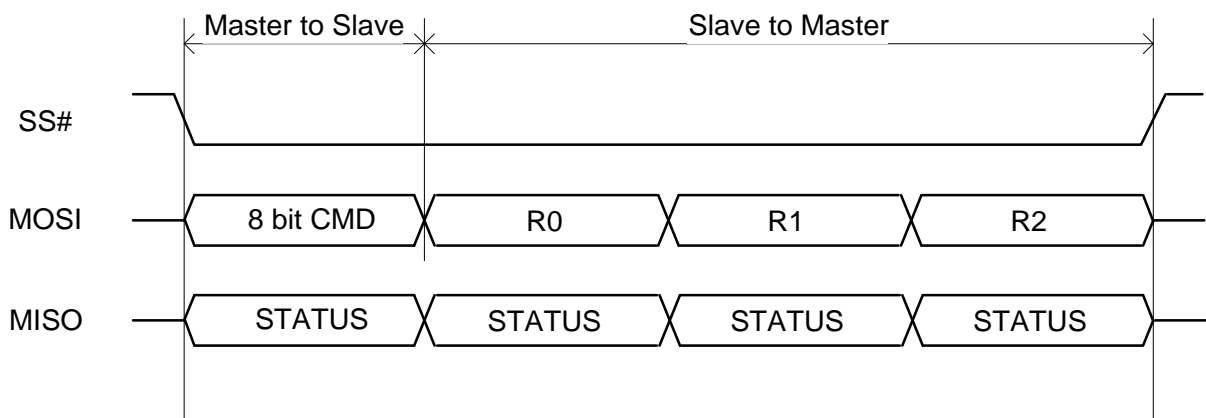


Figure 6.9 Half Duplex Data Master Read

6.3.4 Half Duplex, 3 pin

The 3 pin half duplex mode eliminates the MISO pin from the protocol. This means that status bytes need to be sent on the MOSI pin. Again the Master initiates a transfer by asserting SS# and sending out a command byte. The Slave sends status back to the Master. If a write has been requested and the status indicates that the Slave can accept data, MOSI should be changed to an output again and data will be sent from Master to Slave.

Following this data, the Slave will send a further status byte if SS# remains active. If the status indicates that more data can be written, the next data byte can be sent to the Slave and this process continues until SS# is de-asserted. **Figure 6.10** is an example of this:

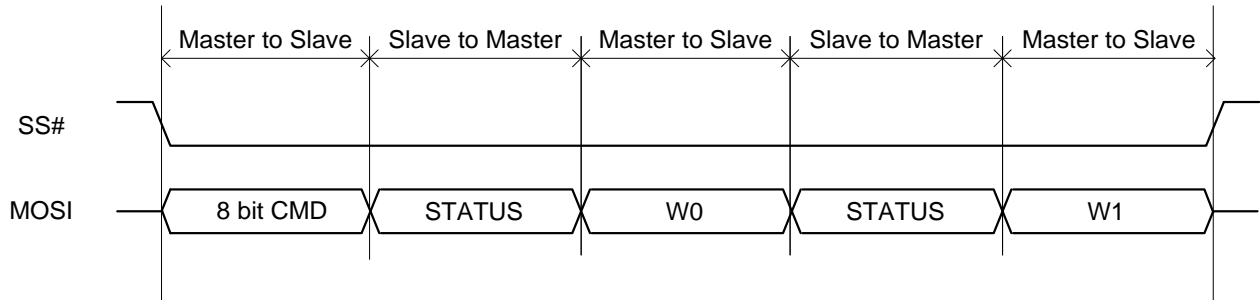


Figure 6.10 Half Duplex 3-pin Data Master Write

Data reads are similar expect that after the command byte all data transfer is from Slave to Master. **Figure 6.11** is an example of this:

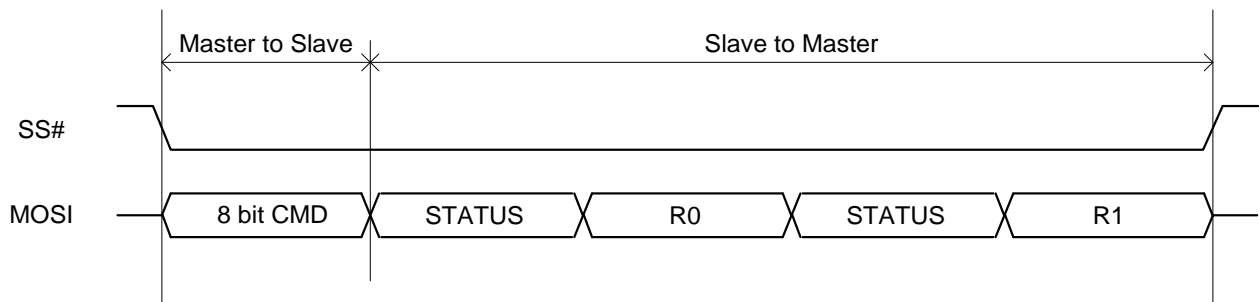


Figure 6.11 Half Duplex 3-pin Data Master Read

6.3.5 Unmanaged Mode

The VNC2 SPI Slave also supports an unmanaged SPI mode. This is a simple data exchange between Master and Slave. It operates in the standard 4 pin mode (SS#, CLK, MOSI and MISO) with all transfers controlled by the SPI Master.

When the CPU wants to send data out of the SPI Slave it writes this into the spi_slave_data_tx register. This will then be moved into the transfer shift register to wait for the SPI Master to request it. The SPI Master will at some point assert SS# and start clocking data on MOSI with SCK. As this is shifted into the transfer shift register, the SPI Slave will also be shifting data in the opposite direction on MISO. At the end of the transfer the SPI Slave copies the received data from the shift register to spi_slave_data_rx as seen in **Figure 6.12**.

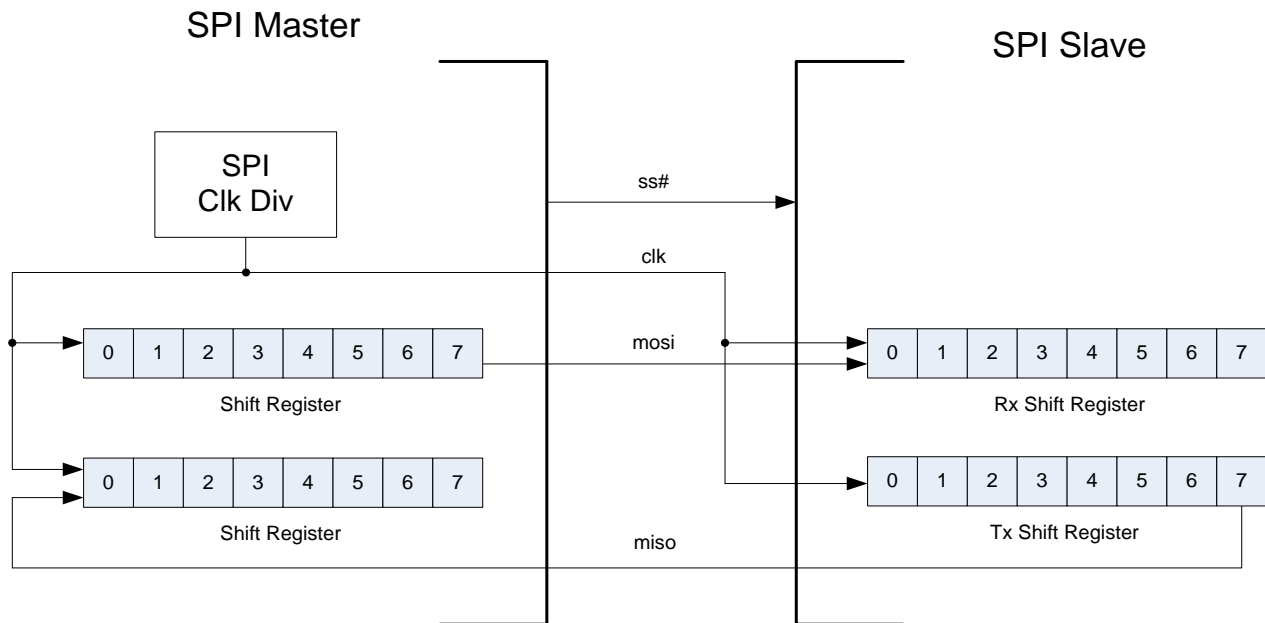


Figure 6.12 Unmanaged Mode Transfer Diagram

6.3.6 VNC1L Legacy Interface

VNC2 SPI is compatible with the SPI slave of VNC1L. This is a custom protocol using 4 wires and will be explained here.

The Master asserts the slave select, but in this case it is an active high signal. Following this, a 3 bit command is sent on the MOSI pin (see **Figure 6.15** for command structure). This has instructions on whether a read or write is requested and if data or status is to be sent. For a data write, 8 bits of data are sent on MOSI followed by a status bit being returned on MISO. If this bit is '0' it means the data write was successful. If it is '1' it means that internal buffer was full and the write should be repeated. Finally, the slave select is de-asserted. See **Figure 6.13** for an example of this.

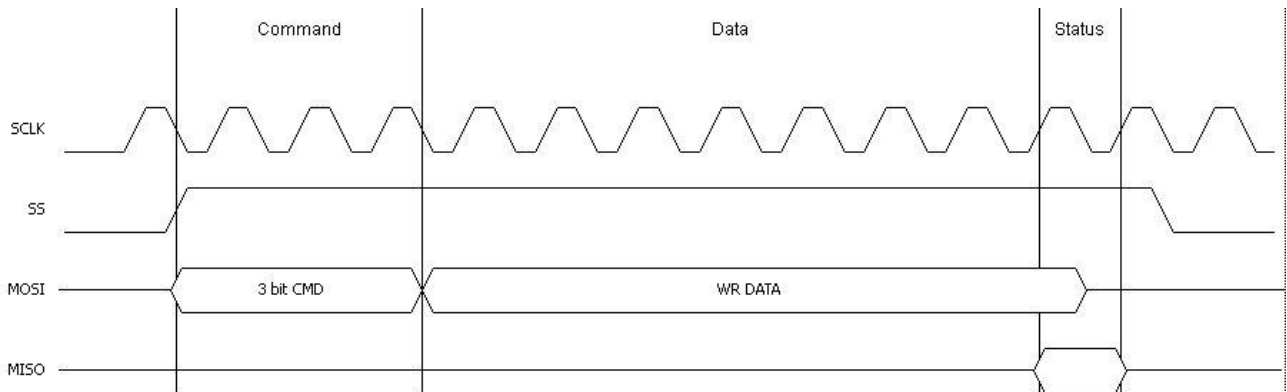


Figure 6.13 VNC1L Mode Data Write

Data reads are similar, with the data from Slave to Master coming on the MISO pin. If the status bit is '0' it means the data byte sent is new data that has not been read before. If it is '1' it means that it is old data. See **Figure 6.14** for an example.

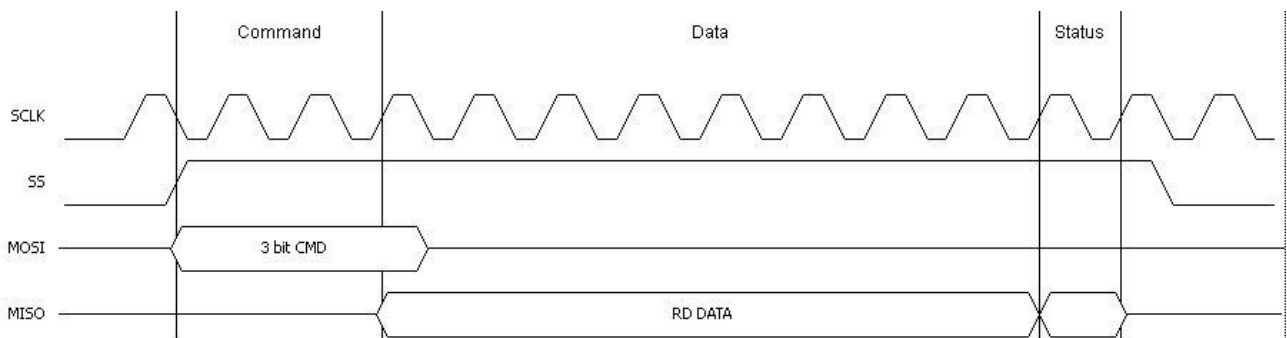


Figure 6.14 VNC1L Mode Data Read

The command and status formats for this mode can be seen in **Figure 6.15** below with a description of each field in **Table 6.7**.

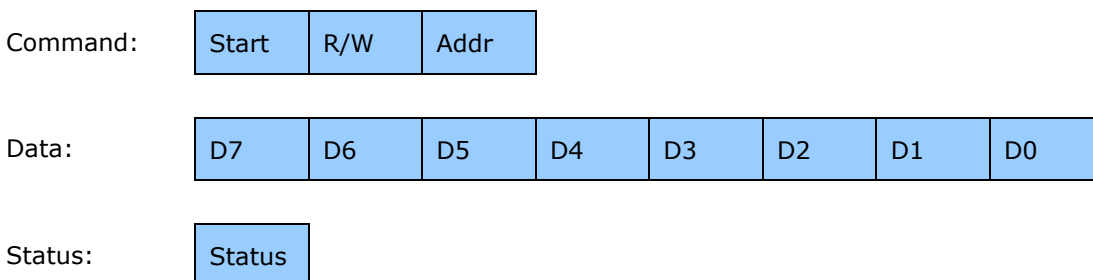


Figure 6.15 VNC1L Compatible SPI Command and Status Structure

| Field | Description |
|--------|--|
| Start | Driven to '1'. |
| R/W | If set to '1', the SPI Master wishes to read from the slave. If set to '0', the SPI Master wishes to write to the slave. |
| Addr | If set to '1', a read operation will return the status byte in the data phase. A write will have no effect. If set to '0', a read or a write will operate on the data register. |
| D7:D0 | Data. |
| Status | When '0' this means a read or write was successful. When '1' it means a read contains old data, or a write did not work and needs retried. |

Table 6.7 SPI Command and Status Fields

6.3.6.1 SPI Setup Bit Encoding

The VNC1L compatible SPI interface differs from most other implementations in that it uses a 12 clock sequence to transfer a single byte of data. In addition to a 'Start' state, the SPI master must send two setup bits which indicate data direction and target address. The encoding of the setup bits is shown in **Table 6.8**. A single data byte is transmitted in each SPI transaction, with the most significant bit transmitted first.

After each transaction VNC2 returns a single status bit. This indicates if a Data Write was successful or a Data Read was valid.

| Direction (R/W) | Target Address | Operation | Meaning |
|-----------------|----------------|-------------|------------------------------------|
| 1 | 0 | Data Read | Retrieve byte from Transmit Buffer |
| 1 | 1 | Status Read | Read SPI Interface Status |
| 0 | 0 | Data Write | Add byte to Receive Buffer |
| 0 | 1 | N/A | N/A |

Table 6.8 SPI Setup Bit Encoding

The VNC2 SPI interface uses 4 signal lines: SCLK, SS, MOSI and MISO. The signals MOSI, MISO and SS are always clocked on the rising edge of the SCLK signal.

SS signal must be raised high for the duration of the entire transaction. For data transactions, the SS must be released for at least one clock cycle after a transaction has completed. It is not necessary to release SS between Status Read operations.

The 'Start' state of MOSI and SS high on the rising edge of SCLK initiates the transfer. The transfer finishes after 13 clock cycles, and the next transfer starts when MOSI is high during the rising edge of CLK.

The following **Figure 6.16** and **Table 6.9** give details of the bus timing requirements.

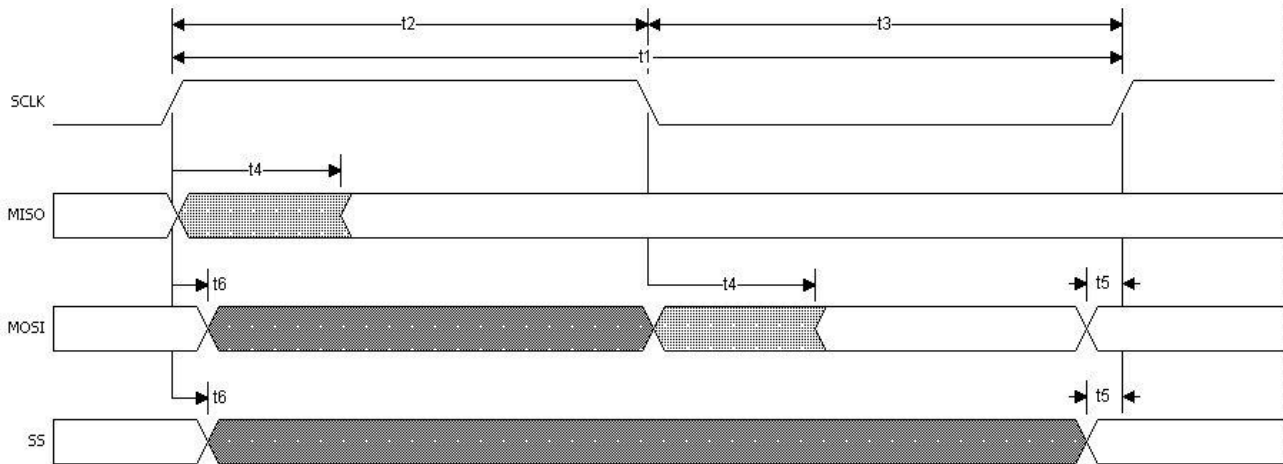


Figure 6.16 SPI Slave Mode Timing

| Time | Description | Minimum | Typical | Maximum | Unit |
|------|---|---------|---------|---------|------|
| T1 | SCLK period | 79.37 | 83.33 | | ns |
| T2 | SCLK high period | 39.68 | 41.67 | 39.68 | ns |
| T3 | SCLK low period | 39.68 | 41.67 | 39.68 | ns |
| T4 | SCLK driving edge to MISO/MOSI | 0.5 | | 14 | ns |
| T5 | MISO/SS setup time to sample SCLK edge | | | 3 | ns |
| T6 | MISO/SS hold time from sample SCLK edge | 3 | | | ns |

Table 6.9 SPI Slave Data Timing

6.3.6.2 SPI Master Data Read Transaction in VNC1L legacy mode

The SPI master must periodically poll for new data in VNC2 Transmit Buffer. It is recommended that this is done first before sending any command.

The Start and Setup sequence is sent to VNC2 by the SPI master, see **Figure 6.17**.

The VNC2 clocks out data from its Transmit Buffer on subsequent rising edge clock cycles provided by the SPI master. This is followed by a status bit generated by VNC2. The Data Read status bit is defined in **Table 6.10**.

If the status bit indicates New Data then the byte received is valid. If it indicates Old Data then the Transmit Buffer in VNC2 is empty and the byte of data received in the current transaction should be disregarded.

| Status Bit | Meaning | |
|------------|----------|--|
| 0 | New Data | Data in current transaction is valid data. Byte removed from Transmit Buffer. |
| 1 | Old Data | This same data has been read in a previous read cycle. Repeat the read cycle until New Data is received. |

Table 6.10 SPI Master Data Read Status Bit

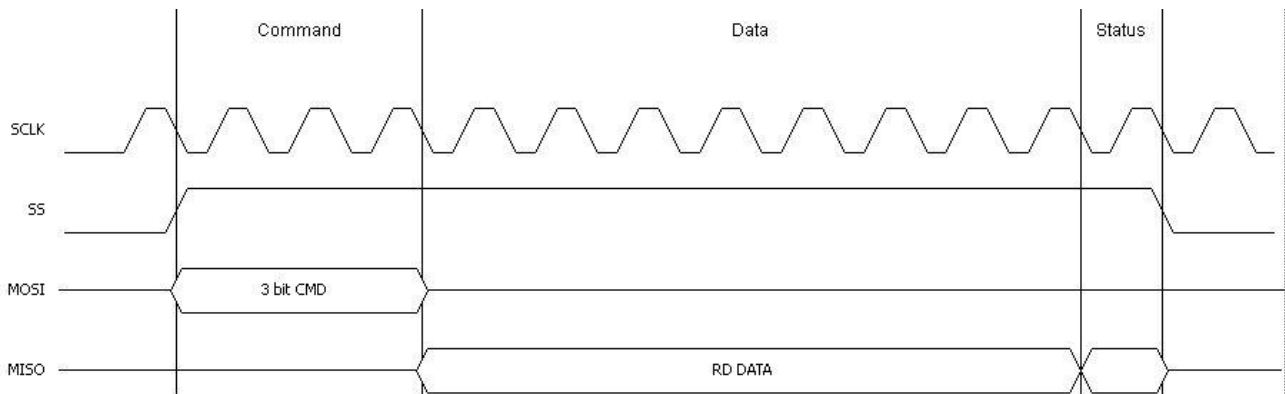


Figure 6.17 SPI Master Data Read (VNC2 Slave Mode)

The status bit is only valid until the next rising edge of SCLK after the last data bit.

During the Data Read operation the SS signal must not be de-asserted.

The transfer completes after 12 clock cycles and the next transfer can begin when MOSI and SS are high during the rising edge of SCLK.

6.3.6.3 SPI Master Data Write Transaction in VNC1L legacy mode

During an SPI master Data Write operation the Start and Setup sequence is sent by the SPI master to VNC2, see **Figure 6.18**. This is followed by the SPI master transmitting each bit of the data to be written to VNC2. The VNC2 then responds with a status bit on MISO on the rising edge of the next clock cycle.

The SPI master must read the status bit at the end of each write transaction to determine if the data was written successfully to VNC2 Receive Buffer. The Data Write status bit is defined in **Table 6.11**. The status bit is only valid until the next rising edge of SCLK after the last data bit.

If the status bit indicates Accept then the byte transmitted has been added to VNC2 Receive Buffer. If it shows Reject then the Receive Buffer is full and the byte of data transmitted in the current transaction should be re-transmitted by the SPI master to VNC2.

Any application should poll VNC2 Receive Buffer by retrying the Data Write operation until the data is accepted.

| Status Bit | Meaning | |
|------------|---------|--|
| 0 | Accept | Data from the current transaction was accepted and added to the Receive Buffer |
| 1 | Reject | Write data was not accepted. Retry the same write cycle. |

Table 6.11 SPI Master Data Write Status Bit

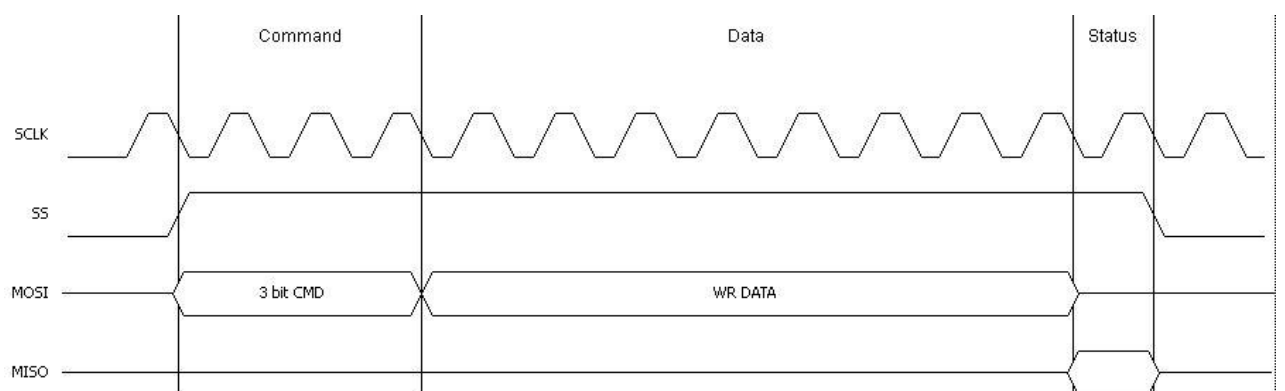


Figure 6.18 SPI Slave Mode Data Write

6.3.6.4 SPI Master Status Read Transaction in VNC1L legacy mode

The VNC2 has a status byte which determines the state of the Receive and Transmit Buffers. The SPI master must poll VNC2 and read the status byte.

The Start and Setup sequence is sent to VNC2 by the SPI master, see **Figure 6.19**. The VNC2 clocks out its status byte on subsequent rising edge clock cycles from the SPI master. This is followed by a status bit generated by VNC2 (also on the MISO) which will always be zero (indicating new data).

The meaning of the bits within the status byte sent by VNC2 during a Status Read operation is described in **Table 6.12**. The result of the Status Read transaction is only valid during the transaction itself. Data read and data write transactions must still check the status bit during a Data Read or Data Write cycle regardless of the result of a Status Read operation.

| Bit | Description | Description |
|-----|-------------|--|
| 0 | RXF# | Receive Buffer Full |
| 1 | TXE# | Transmit Buffer Empty |
| 2 | - | Not used |
| 3 | - | Not used |
| 4 | RXF IRQEn | Receive Buffer Full Interrupt Enable |
| 5 | TXE IRQEn | Transmit Buffer Empty Interrupt Enable |
| 6 | - | Not used |
| 7 | - | Not used |

Table 6.12 SPI Status Read Byte – bit descriptions

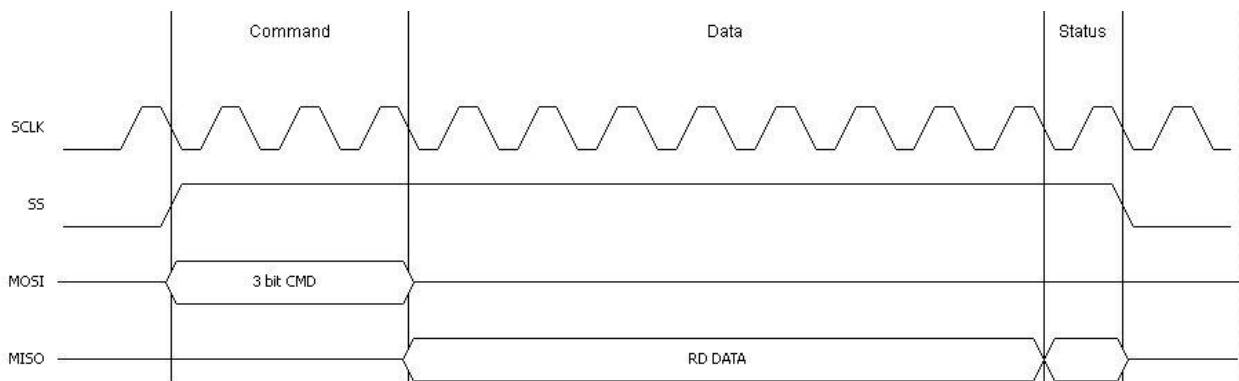


Figure 6.19 SPI Slave Mode Status Read

6.4 Serial Peripheral Interface – SPI Master

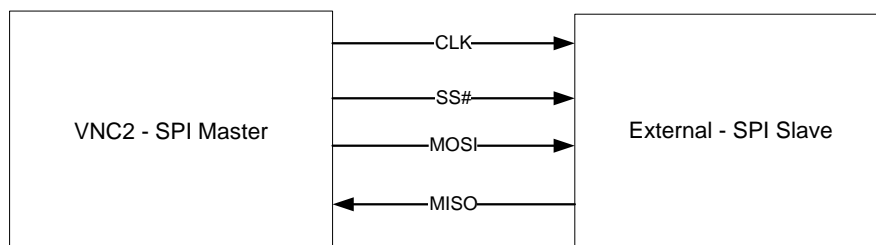


Figure 6.20 SPI Master block diagram

The SPI Master interface is used to interface to applications such as SD Cards. The SPI Master provides the following features:

- Synchronous serial data link.
- Full and half duplex data transmission.
- Serial clock with programmable frequency, polarity and phase.
- One slave select output.
- Programmable delay between negative edge of slave select and start of transfer.

- SD Card interface.
- An interface that's compatible with the VLSI VS1033 SCI mode used for VMUSIC capability

The SPI Master only clocks in and out data that the VNC2 CPU sets up in its register space. The VNC2 CPU interprets the data words that are to be sent and received.

6.4.1 SPI Master Signal Descriptions

Table 6.13 shows the SPI master signals and the available pins that they can be mapped to depending on the package size. Further details on the configuration of input and output signals are available in **Section 5 - I/O Multiplexer**.

| 64 Pin Package Available pins | 48 Pin Package Available pins | 32 Pin Package Available pins | Name | Type | Description |
|--|-------------------------------|-------------------------------|-------------|--------|--|
| 11, 15, 19, 24, 28, 39, 43, 47, 51, 57, 61 | 11, 15, 20, 31, 35, 41, 45 | 11, 23, 29 | spi_m_clk | Output | SPI master clock input |
| 12, 16, 20, 25, 29, 40, 44, 48, 52, 58, 62 | 12,16, 21, 32, 36, 42, 46 | 12, 24, 30 | spi_m_mosi | Output | Master Out Slave In Synchronous data from master to slave |
| 13, 17, 22, 26, 31, 41, 45, 49, 55, 59, 63 | 13, 18, 22, 33, 37, 43, 47 | 14, 25, 31 | spi_m_miso | Input | Master In Slave Out Synchronous data from slave to master |
| 14, 18, 23, 27, 32, 42, 46, 50, 56, 60, 64 | 14, 19, 23, 34, 38, 44, 48 | 15, 26, 32 | spi_m_ss_0# | Output | Active low slave select 0 from master to slave 0 |
| 11, 15, 19, 24, 28, 39, 43, 47, 51, 57, 61 | 11, 15, 20, 31, 35, 41, 45 | 11, 23, 29 | spi_m_ss_1# | Output | Active low slave select 1 from master to slave 1 |

Table 6.13 SPI Master Signal Names

The main purpose of the SPI Master block is to transfer data between an external SPI interface and the VNC2. It does this under the control of the CPU and DMA engine via the on chip I/O bus.

An SPI master interface transfer can only be initiated by the SPI Master and begins with the slave select signal being asserted. This is followed by a data byte being clocked out with the master supplying SCLK. The master always supplies the first byte, which is called a command byte. After this the desired number of data bytes are transferred before the transaction is terminated by the master de-asserting slave select.

The SPI Master will transmit on MOSI as well as receive on MISO during every data stage. At the end of each byte spi_tx_done and spi_rx_full_int are set. **Figure 6.21 Typical SPI Master Timing** and **Table 6.14 SPI Master Timing** show an example of this.

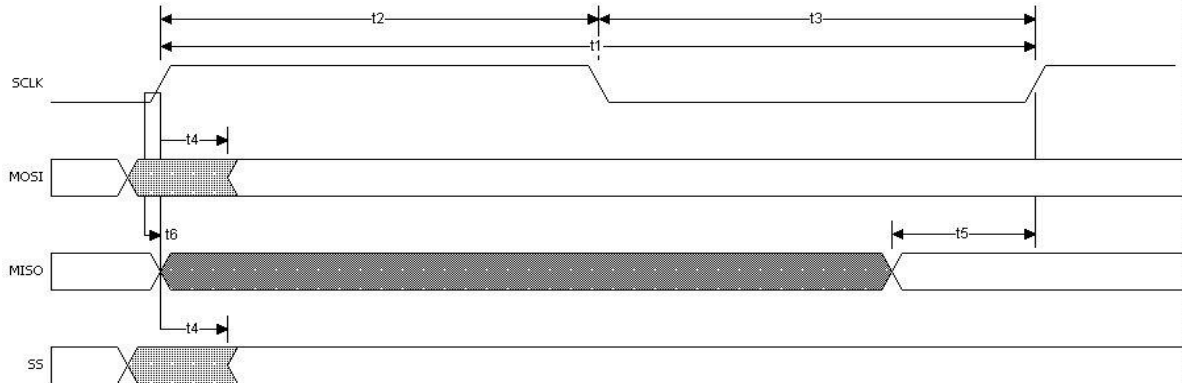


Figure 6.21 Typical SPI Master Timing

| Time | Description | Minimum | Typical | Maximum | Unit |
|-------|--------------------------------------|---------|---------|---------|------|
| t_1 | SCLK period | 39.68 | 41.67 | | ns |
| t_2 | SCLK high period | 19.84 | 20.84 | 21.93 | ns |
| t_3 | SCLK low period | 19.84 | 20.84 | 21.93 | ns |
| t_4 | SCLK driving edge to MOSI/SS | -1.5 | | 3 | ns |
| t_5 | MISO setup time to sample SCLK edge | | | 6.5 | ns |
| t_6 | MISO hold time from sample SCLK edge | 0 | | | ns |

Table 6.14 SPI Master Timing

6.5 Debugger Interface

The purpose of the debugger interface is to provide the Integrated Development Environment (IDE) with the following capabilities:

- Flash Erase, Write and Program.
- Application debug - application code can have breakpoints, be single stepped and can be halted.
- Detailed internal debug - memory read/write access.

The single wire interface has the following features:

- Half Duplex Operation
- 1Mbps speed
- 1 start bit
- 1 stop bit
- 8 data bits
- Pull up

Further information of the Debugger Interface is available in an Application Note AN_138 [Vinculum-II Debug Interface Description](#).

6.5.1 Debugger Interface Signal description

| 64 Pin Package Available pins | 48 Pin Package Available pins | 32 Pin Package Available pins | Name | Type | Description |
|--|-------------------------------|-------------------------------|----------|--------------|--------------------|
| 11, 15, 19, 24, 28, 39, 43, 47, 51, 57, 61 | 11, 15, 20, 31, 35, 41, 45 | 11, 23, 29 | debug_if | Input/Output | Debugger Interface |

Table 6.15 Debugger Signal Name

6.6 Parallel FIFO – Asynchronous Mode

Parallel FIFO Asynchronous mode known as '245', is functionally the same as the one that is present in VNC1L has an eight bit data bus, individual read and write strobes and two hardware flow control signals.

6.6.1 FIFO Signal Descriptions

The Parallel FIFO interface signals are described in **Table 6.16** They can be programmed to a choice of I/O pins depending on the package size. Further details on the configuration of input and output signals are available in **Section 5 - I/O Multiplexer**.

| 64 Pin Package Available pins | 48 Pin Package Available pins | 32 Pin Package Available pins | Name | Type | Description |
|--|-------------------------------|-------------------------------|--------------|------|---------------------|
| 11, 15, 19, 24, 28, 39, 43, 47, 51, 57, 61 | 11, 15, 20, 31, 35, 41, 45 | 11, 23, 29 | fifo_data[0] | I/O | FIFO Data Bus Bit 0 |
| 12, 16, 20, 25, 29, 40, 44, 48, 52, 58, 62 | 12,16, 21, 32, 36, 42, 46 | 12, 24, 30 | fifo_data[1] | I/O | FIFO Data Bus Bit 1 |
| 13, 17, 22, 26, 31, 41, 45, 49, 55, 59, 63 | 13, 18, 22, 33, 37, 43, 47 | 14, 25, 31 | fifo_data[2] | I/O | FIFO Data Bus Bit 2 |
| 14, 18, 23, 27, 32, 42, 46, 50, 56, 60, 64 | 14, 19, 23, 34, 38, 44, 48 | 15, 26, 32 | fifo_data[3] | I/O | FIFO Data Bus Bit 3 |
| 11, 15, 19, 24, 28, 39, 43, 47, 51, 57, 61 | 11, 15, 20, 31, 35, 41, 45 | 11, 23, 29 | fifo_data[4] | I/O | FIFO Data Bus Bit 4 |
| 12, 16, 20, 25, 29, 40, 44, 48, 52, 58, 62 | 12,16, 21, 32, 36, 42, 46 | 12, 24, 30 | fifo_data[5] | I/O | FIFO Data Bus Bit 5 |
| 13, 17, 22, 26, 31, 41, | 13, 18, 22, 33, 37, 43, | 14, 25, 31 | fifo_data[6] | I/O | FIFO Data Bus Bit 6 |

| 64 Pin Package Available pins | 48 Pin Package Available pins | 32 Pin Package Available pins | Name | Type | Description |
|--|-------------------------------|-------------------------------|--------------|--------|---|
| 45, 49, 55, 59, 63 | 47 | | | | |
| 14, 18, 23, 27, 32, 42, 46, 50, 56, 60, 64 | 14, 19, 23, 34, 38, 44, 48 | 15, 26, 32 | fifo_data[7] | I/O | FIFO Data Bus Bit 7 |
| 11, 15, 19, 24, 28, 39, 43, 47, 51, 57, 61 | 11, 15, 20, 31, 35, 41, 45 | 11, 23, 29 | fifo_rxf# | Output | When high, do not read data from the FIFO. When low, there is data available in the FIFO which can be read by strobing fifo_rd# low, then high. |
| 12, 16, 20, 25, 29, 40, 44, 48, 52, 58, 62 | 12, 16, 21, 32, 36, 42, 46 | 12, 24, 30 | fifo_txe# | Output | When high, do not write data into the FIFO. When low, data can be written into the FIFO by strobing fifo_wr# high, then low. |
| 13, 17, 22, 26, 31, 41, 45, 49, 55, 59, 63 | 13, 18, 22, 33, 37, 43, 47 | 14, 25, 31 | fifo_rd# | Input | Enables the current FIFO data byte on D0...D7 when low. Fetches the next FIFO data byte (if available) from the receive FIFO buffer when fifo_rd# goes from high to low |
| 14, 18, 23, 27, 32, 42, 46, 50, 56, 60, 64 | 14, 19, 23, 34, 38, 44, 48 | 15, 26, 32 | fifo_wr# | Input | Writes the data byte on the D0...D7 pins into the transmit FIFO buffer when fifo_wr# goes from high to low. |

Table 6.16 Data and Control Bus Signal Mode Options - Parallel FIFO Interface

6.6.2 Read / Write Transaction Asynchronous FIFO Mode

When in Asynchronous FIFO interface mode, the timing of read and write operations on the FIFO interface are shown in **Figure 6.22** and **Table 6.17**.

In asynchronous mode an external device can control data transfer driving FIFO_WR# and FIFO_RD# inputs. In contrast to synchronous mode, in asynchronous mode the 245 FIFO module generates the output enable EN# signal. EN# signal is effectively the read signal RD#.

Current byte is available to be read when FIFO_RD# goes low. When FIFO_RD# goes high, FIFO_RXF# output will also go high. It will only become low again when there is another byte to read.

When FIFO_WR# goes low FIFO_TXE# flag will always go high. FIFO_TXE# goes low again only when there is still space for data to be written in to the module.

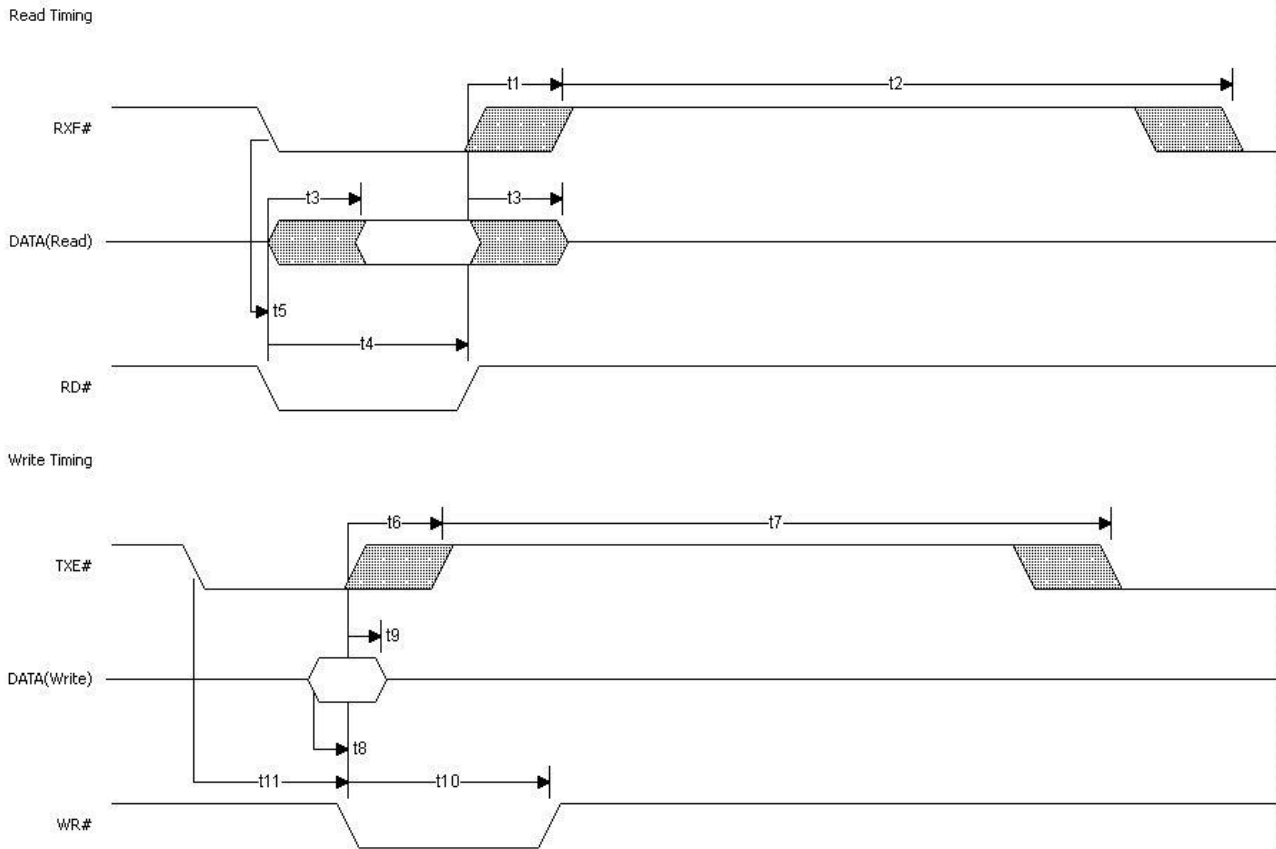


Figure 6.22 Asynchronous FIFO mode Read / Write Cycle

| Time | Description | Minimum | Maximum | Unit |
|------|-----------------------------------|---------|---------|------|
| t1 | RD# inactive to RXF# | 1 | 14 | ns |
| t2 | RXF# inactive after RD# cycle | 100 | | ns |
| t3 | RD# to DATA | 1 | 14 | ns |
| t4 | RD# active pulse width | 30 | | ns |
| t5 | RD# active after RXF# | 0 | | ns |
| t6 | WR# active to TXE# inactive | 1 | 14 | ns |
| t7 | TXE# inactive after WR# cycle | 100 | | ns |
| t8 | DATA to TXE# active setup time | 5 | | ns |
| t9 | DATA hold time after WR# inactive | 5 | | ns |
| t10 | WR# active pulse width | 30 | | ns |
| t11 | WR# active after TXE# | 0 | | ns |

Table 6.17 Asynchronous FIFO mode Read / Write Timing

6.7 Parallel FIFO – Synchronous Mode

The Parallel FIFO Synchronous mode has an eight bit data bus, individual read and write strobes, two hardware flow control signals, an output enable and a clock out.

The synchronous FIFO mode uses the parallel FIFO interface signals detailed in **Table 6.16** and an additional two signals detailed in **Table 6.18**.

This mode is not available on the 32 pin packages.

| 64 Pin Package Available pins | 48 Pin Package Available pins | 32 Pin Package Available pins | Name | Type | Description |
|--|-------------------------------|-------------------------------|-------------|------|--------------------|
| 11, 15, 19, 24, 28, 39, 43, 47, 51, 57, 61 | 11, 15, 20, 31, 35, 41, 45 | 11, 23, 29 | fifo_oe# | I/O | FIFO Output enable |
| 12, 16, 20, 25, 29, 40, 44, 48, 52, 58, 62 | 12,16, 21, 32, 36, 42, 46 | 12, 24, 30 | fifo_clkout | I/O | FIFO Clock out |

Table 6.18 Synchronous FIFO control signals

6.7.1 Read / Write Transaction Synchronous FIFO Mode

When in Synchronous FIFO interface mode, the timing of read and write operations on the FIFO interface are shown in Figure 6.23 and Table 6.19.

In synchronous mode data can be transmitted to and from the FIFO module on each clock edge. An external device synchronises to the CLKOUT output and it also has access to the output enable OE# input to control data flow. An external device should drive output enable OE# low before pulling RD# line down.

When bursts of data are to be read from the module RD# should be kept low. RXF# remains low when there is still data to be read. Similarly when bursts of data are to be written to the module WR# should be kept low. TXE# remains low when there is still space available for the data to be written.

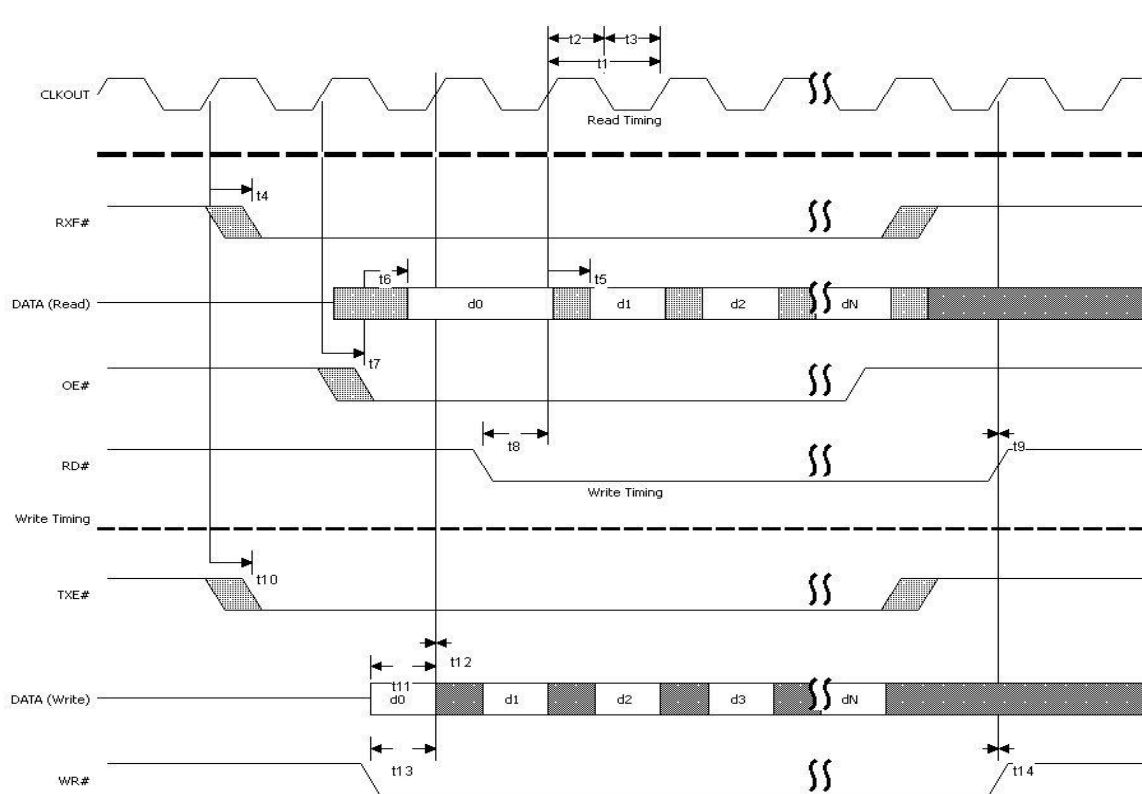


Figure 6.23 Synchronous FIFO mode Read / Write Cycle

| Time | Description | Minimum | Typical | Maximum | Unit |
|------|---------------------------|---------|---------|---------|------|
| t1 | CLKOUT period | | 20.83 | | ns |
| t2 | CLKOUT high period | 9.38 | 10.42 | 11.46 | ns |
| t3 | CLKOUT low period | 9.38 | 10.42 | 11.46 | ns |
| t4 | CLKOUT to RXF# | 1 | | 7.83 | ns |
| t5 | CLKOUT to read DATA valid | 1 | | 7.83 | ns |
| t6 | OE# to read DATA valid | 1 | | 7.83 | ns |
| t7 | CLKOUT to OE# | 1 | | 7.83 | ns |
| t8 | RD# setup time | 12 | | | ns |
| t9 | RD# hold time | 0 | | | ns |
| t10 | CLKOUT TO TXE# | 1 | | 7.83 | ns |
| t11 | Write DATA setup time | 12 | | | ns |
| t12 | Write DATA hold time | 0 | | | ns |
| t13 | WR# setup time | 12 | | | ns |
| t14 | WR# hold time | 0 | | | ns |

Table 6.19 Synchronous FIFO mode Read / Write Timing

6.8 General Purpose Timers

In VNC2 there are 4 General Purpose Timers available. Three are available to the designer and one is reserved for the RTOS.

The timers have the following features:

- 16 bit
- Count down
- One shot and auto-reload
- enable
- Interrupt on zero

6.9 Pulse Width Modulation

VNC2 provides 8 Pulse Width Modulation (PWM) outputs. These can be used to generate PWM signals which can be used to control motors, DC/DC converters, AC/DC supplies, etc. Further information is available in an Application Note AN_140 - [Vinculum-II PWM Example](#).

The features of the PWM module are as follows:

- 8 PWM outputs
- A trigger input
- 8-bit prescaler
- 16-bit counter
- Generation of up to 4-pulse signal with controlled output enable and configurable initial state
- Interrupt

A single PWM cycle can have up to 4 pulses (8 edges). The PWM block uses a 16-bit counter to determine the period of a single PWM cycle. This counter counts system clocks which can also be divided by an optional 8-bit prescaler. The PWM drivers allow the user to select when PWM output toggles. These values correspond to the values of 16-bit counter. For example, on the timing diagram below - **Figure 6.24**, the 16-bit counter counts to 23 and pwm_out[0] output toggles when the counter's current value is equal to 7, 8, 12, 14, 15, 16, 19 and 22.

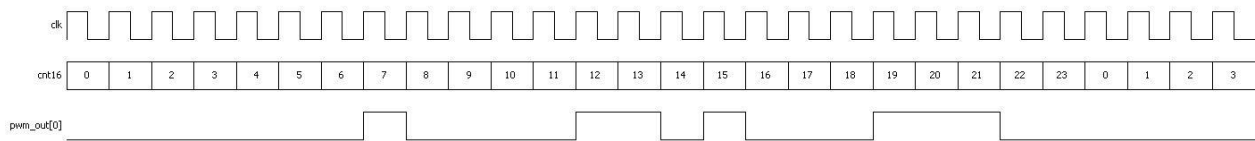


Figure 6.24 PWM – Timing Diagram

The user can also select the initial state of each of the PWM outputs (HI or LOW). PWM outputs can also be enabled continuously or a cycle can be repeated 1..255 times. The PWM cycle can be started by the PWM driver or externally using a trigger input.

6.10 General Purpose Input Output

VNC2 provides up to 40 configurable Input/output pins depending on the package. The Input/output pins are connected to Ports A through E. These ports are controlled by the VNC2 CPU. All ports are configurable to be either inputs or outputs and allow level or edge driven interrupts to be generated.

To simplify the use of the 40 available GPIO signals, they have been grouped into 5 "ports", identified as A, B, C, D and E. Each port is 1 byte wide and the RTOS drivers will allow each port to be individually accessed.

Each GPIO signal is mapped on to a bit of the port value. For example, gpio[A0] is the least significant bit of the value read from or written to GPIO port A. Similarly, gpio[A7] is the most significant bit of the value read from or written to GPIO port A (see **Figure 6.25 GPIO Port Groups**).

Each pin can be individually configured as input or output. GPIO port A supports an interrupt that can be used to detect a state change of any of its 8 pins. Port B features a more sophisticated set of 4 configurable interrupts that can be associated with individual pins and supports several conditions such as positive edge, negative edge, high or low.



Figure 6.25 GPIO Port Groups

7 USB Interfaces

VNC2 has two USB 1.1 and USB 2.0 compliant interfaces available either as a USB host or slave device capable of supporting 1.5Mb/s (Low Speed) and 12Mb/s (full Speed) transactions. The USB specification defines 4 transfer types that are all supported by VNC2:

- Interrupt transfer: Used for legacy devices where the device is periodically polled to see if the device has data to transfer e.g. Mouse, Keyboard. VNC2 interrupt transfers are valid for low- and full-speed transactions.
- Bulk transfer: Used for transferring large blocks of data that have no periodic or transfer rate requirement e.g. USB to RS232 (FT232R device), memory sticks. VNC2 bulk transfers are only valid for full-speed transactions.
- Isochronous transfer: Used for transferring data that requires a constant delivery rate e.g. web cam, wireless modem. VNC2 isochronous transfers are only valid for full-speed transactions.
- Control transfer: Used to transfer specific requests to all types USB devices (most commonly used during device configuration). VNC2 control transfers are valid for low- and full-speed transfers.

USB 2.0 - 480Mb/s (High Speed) transactions are not supported as the power requirements are deemed excessive for VNC2 target applications. VNC2 configured to Full speed is supported.

VNC2 has two main USB modes of operation: host mode or client (or Slave) mode. As a client, VNC2 is able to connect to a PC and act as a USB peripheral. At the same time as being a client the second USB interface is also able to act as a host and connect to a second USB device using two separate ports (i.e. Port 0 – Host Port 1- Client). Each USB interface can be either a host or a client. It is not possible to change from host to client or client to host "on-the-fly". The following diagrams in figure 7.1 give examples of possible modes of operation:

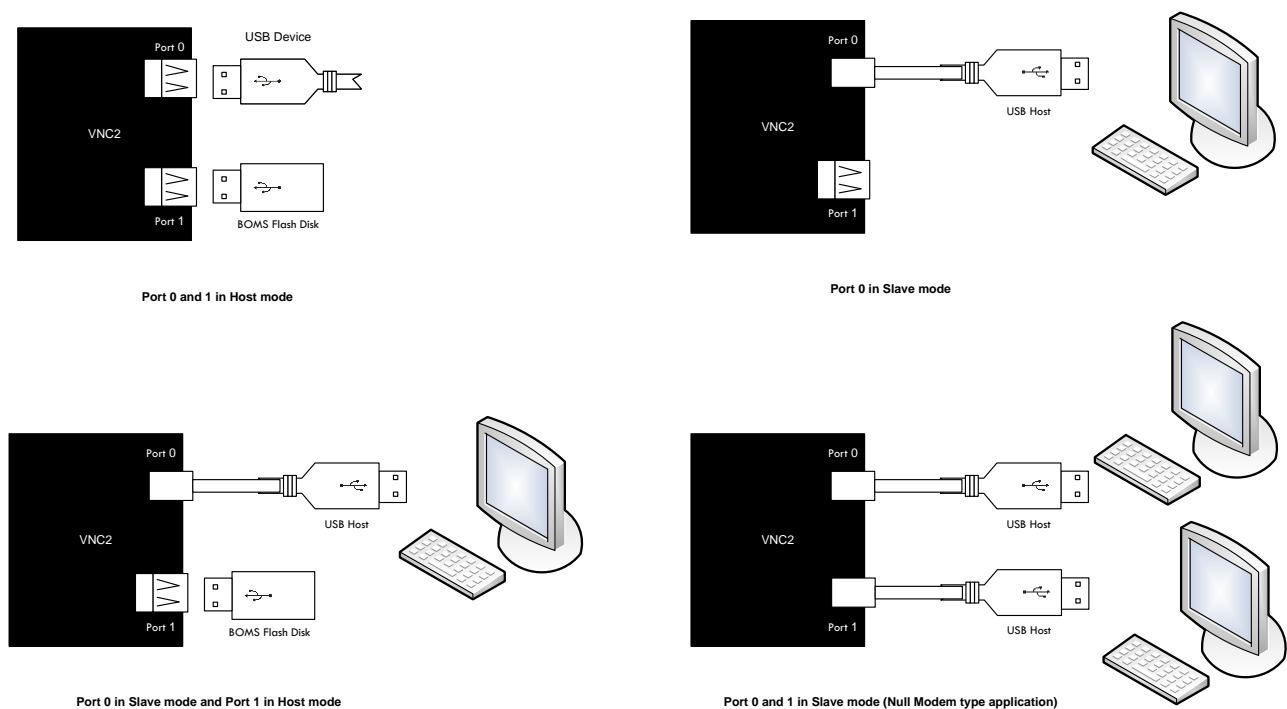


Figure 7.1 USB Modes

8 Firmware

VNC2 firmware model has evolved considerably since VINC1L. For reasons of code maintainability, performance, stability and ease of use from the point of view of the customer, VNC2 has a modular firmware model.

VNC2 firmware can be separated into 4 categories:

- VNC2 real-time operating system (RTOS).
- VNC2 device drivers.
- User applications – Toolchain.
- Precompiled Firmware.

8.1 RTOS

The VNC2 RTOS (VOS) is a pre-emptive priority-based multi-tasking operating system. VOS has been developed by FTDI and is available to customers for use in their own VNC2 based systems free of charge. VOS is supplied as linkable object files.

A full explanation and how to use VOS is available in a separate application note which can be downloaded from the [FTDI website](#).

8.2 Device drivers

To facilitate communication between user applications and the VNC2 hardware peripherals FTDI provides device drivers which operate with VOS. In addition to the hardware device drivers, FTDI provides function drivers (available from the [FTDI website](#)) which build upon the basic hardware device driver functionality for a specific purpose. For example, drivers for standard USB device classes may be created which build upon the USB host hardware driver to implement a BOMS class, CDC, printer class or even a specific vendor class device driver.

8.3 Firmware – Software Development Toolchain

The VNC2 provides customers with the opportunity to customise the firmware and perform useful tasks without an external MCU. A Firmware application note is available to download from the FTDI website, this give further details and operating instructions. The VNC2 Software Development Toolchain consists of the following components:

- **Compiler**

The compiler will take high-level source code and compile it into object code or direct to programmable code.

- **Linker**

The linker will take object code and libraries and link the code to produce either libraries or programmable code. It is designed to be as hardware independent as possible to allow reuse in future hardware devices.

- **Debugger**

The debugger allows a programmer to test code on the hardware platform using a special communication channel to the CPU. It is also used to debug code – run, stop, single step, breakpoints etc.

- **IDE**

All compiler, simulator and debugger functions are integrated into a single application for programmers. It provides a specialised text editor which is used generally used to develop application code, debugging and simulation.

8.4 Precompiled Firmware

VNC2 can be programmed with various pre-compiled firmware profiles to allow a designer to easily change the functionality of the chip.

The following pre-compiled ROM files are currently available:

- **V2DAP firmware:** USB Host for single Flash Disk and general purpose USB peripherals. Selectable UART, FIFO or SPI interface command monitor. Offers a migration path from VNC1L designs with VDAP firmware.
- **V2DPS firmware:** USB Host for single Flash Disk and general purpose USB peripherals and USB peripheral emulating a FT232 on a Host computer. Offers a migration path for VNC1L designs with VDPS.
- **V2F2F firmware:** USB Host for two Flash Disks with file copy functions. Offers a migration path for VNC1L designs with VF2F firmware.
- **CDC Modem Sample Application:** Demonstrates connection of a CDC device to USB Port 1 by establishing a link between the CDC device and the UART of the VNC2.
- **USBHost FT232 UART Echo Sample Application:** Demonstrates emulation of a FTDI FT232 device on USB Port 1. Data is looped back.

Designers are advised to refer to the [FTDI website](#) for the most current details on available Firmware.

9 Device Characteristics and Ratings

9.1 Absolute Maximum Ratings

The absolute maximum ratings for VNC2 are shown in **Table 9.1**. These are in accordance with the Absolute Maximum Rating System (IEC 60134). Exceeding these may cause permanent damage to the device.

| Parameter | Value | Unit |
|--|---|-------|
| Storage Temperature | -65 to +150 | °C |
| Floor Life (Out of Bag) At Factory Ambient (30°C / 60% Relative Humidity) | 168 (IPC/JEDEC J-STD-033A MSL Level 3 Compliant)* | Hours |
| Ambient Temperature (Power Applied) | -40 to +85 | °C |
| Vcc Supply Voltage | 0 to +3.63 | V |
| VCC_IO | 0 to +3.63 | V |
| VCC_PLL_IN | 0 to + 1.98 | V |
| DC Input Voltage - USBDP and USBDM | -0.5 to +(Vcc +0.5) | V |
| DC Input Voltage - XTIN | -0.5 to +((1.8V VCC PLL IN) +0.5) | V |
| DC Input Voltage - High Impedance Bidirectional | -0.5 to +5.00 | V |
| DC Input Voltage - All other Inputs | -0.5 to +(Vcc +0.5) | V |
| DC Output Current - Outputs | Default 4 ** | mA |
| DC Output Current - Low Impedance Bidirectional | Default 4 ** | mA |

Table 9.1 Absolute Maximum Ratings

* If devices are stored out of the packaging beyond this time limit the devices should be baked before use. The devices should be ramped up to a temperature of 125°C and baked for up to 17 hours.

** The drive strength of the output stage may be configured for either 4mA, 8mA, 12mA or 16mA depending on the register setting controlled within the firmware. The default is 4mA.

9.2 DC Characteristics

DC Characteristics (Ambient Temperature -40°C to +125°C)

| Parameter | Description | Minimum | Typical | Maximum | Units | Conditions |
|-----------|----------------------------------|---------|---------|---------|-------|-------------------|
| Vcc1 | VCC Operating Supply Voltage | 1.62 | 1.8 | 1.98 | V | |
| Vcc2 | VCCIO Operating Supply Voltage | 2.97 | 3.3 | 3.63 | V | |
| VCC_PLL | VCC_PLL Operating Supply Voltage | 1.62 | 1.8 | 1.98 | V | |
| Icc1 | Operating Supply Current 48MHz | | 25 | | mA | Normal Operation |
| Icc2 | Operating Supply Current 24MHz | | 16 | | mA | Low Power Mode |
| Icc3 | Operating Supply Current 12MHz | | 8 | | mA | Lowest Power Mode |
| Icc4 | Operating Supply Current | | 128 | | µA | USB Suspend |

Table 9.2 Operating Voltage and Current

| Parameter | Description | Minimum | Typical | Maximum | Units | Conditions |
|-----------|---------------------------|---------|---------|---------|-------|----------------|
| Voh | Output Voltage High | 2.4 | | | V | I source = 8mA |
| Vol | Output Voltage Low | | | 0.4 | V | I sink = 8mA |
| Vin | Input Switching Threshold | | 1.5 | | V | |

Table 9.3 I/O Pin Characteristics

| Parameter | Description | Minimum | Typical | Maximum | Units | Conditions |
|-----------|---------------------------------|---------|---------|---------|-------|------------|
| UVoh | I/O Pins Static Output (High) | 2.8 | | | V | |
| UVol | I/O Pins Static Output (Low) | | | 0.3 | V | |
| UVse | Single Ended Rx Threshold | 0.8 | | 2.0 | V | |
| UCom | Differential Common Mode | 0.8 | | 2.5 | V | |
| UVdif | Differential Input Sensitivity | 0.2 | | | V | |
| UDrvZ | Driver Output Impedance | 3 | 6 | 9 | Ohms | |

Table 9.4 USB I/O Pin (USB DP, USB DM) Characteristics

| Parameter | Description | Minimum | Typical | Maximum | Units | Conditions |
|-----------------|---|---------|---------|---------|-------|---------------------------------|
| VCKK | Power supply of internal core cells and I/O to core interface | 1.62 | 1.8 | 1.98 | V | 1.8V power supply |
| VCC18IO | Power supply of 1.8V OSC pad | 1.62 | 1.8 | 1.98 | V | 1.8V power supply |
| T _J | Operating junction temperature | -40 | 25 | 125 | °C | |
| I _{in} | Input leakage current | -10 | ±1 | 10 | µA | I _{in} = VCC18IO or 0V |
| I _{oz} | Tri-state output leakage current | -10 | ±1 | 10 | µA | |

Table 9.5 Crystal Oscillator 1.8 Volts DC Characteristics

9.3 ESD and Latch-up Specifications

| Description | Specification |
|---------------------------|---------------|
| Human Body Mode (HBM) | TBD |
| Machine mode (MM) | TBD |
| Charged Device Mode (CDM) | TBD |
| Latch-up | > ± 200mA |

Table 9.6 ESD and Latch-up Specifications

10 Application Examples

10.1 Example VNC2 Schematic (MCU – UART Interface)

VNC2 can be configured to communicate with a microcontroller using a UART interface. An example of this is shown in **Figure 10.1**.

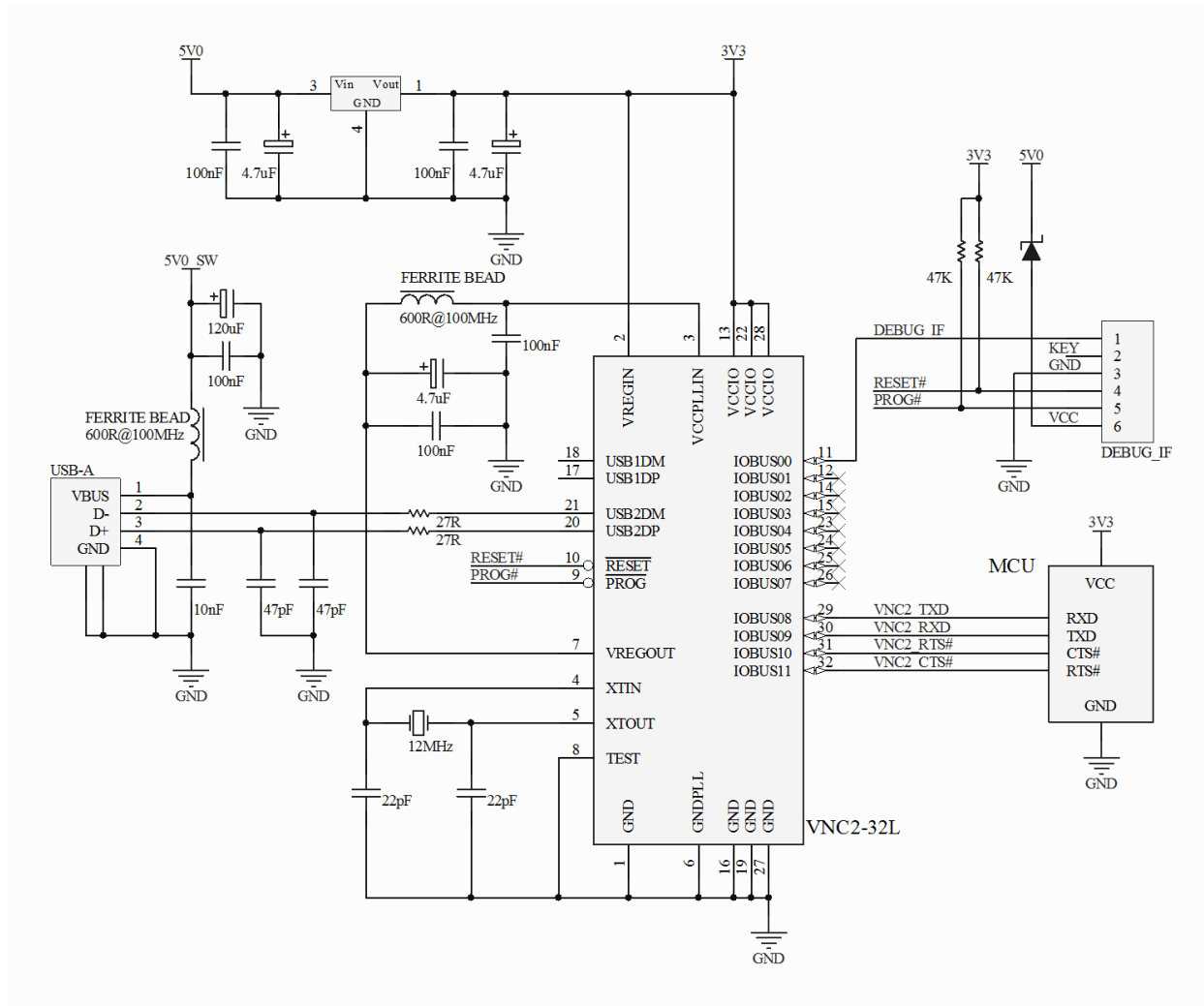


Figure 10.1 VNC2 Schematic (MCU – UART Interface)

Note: This sample circuit is not intended to be a complete design. It shows the minimum connections for a basic VNC2 circuit. The value of the capacitors connected to the crystal will depend on the requirements of the crystal. The 5V0_SW power signal assumes proper switching and over-current detection conform to the USB-IF specifications for a USB host port. The 120uF capacitor should be a low-ESR type. The value of the ferrite beads may need adjusted for EMI compatibility. Input and output capacitors for the 3.3V regulator should be chosen according to the datasheet of the selected part. The VNC2 outputs connect to the MCU inputs and MCU outputs to VNC2 inputs (TXD to RXD and RTS# to CTS# in each direction).

Note for VNC2-48L1B only: With the 48-pin LQFP package, pin 7 is not connected (VREGOUT). The regulator output has an internal connection to VCCPLLIN to accommodate a migration path from VNC1L designs. In this case, pin 3 (VCCPLLIN) requires only one 100nF capacitor to ground. All other packages require the external circuitry shown to connect VREGOUT to VCCPLLIN.

11 Package Parameters

VNC2 is available in six RoHS Compliant packages, three QFN packages (64QFN, 48QFN & 32QFN) and three LQFP packages (64LQFP, 48LQFP & 32LQFP). All packages are lead (Pb) free and use a 'green' compound. The packages are fully compliant with European Union directive 2002/95/EC.

The mechanical drawings of all six packages are shown in sections **11.2** to **11.7**– all dimensions are in millimetres.

The solder reflow profile for all packages can be viewed in Section **11.8**.

11.1 VNC2 Package Markings

An example of the markings on each package is shown in **Figure 11.1**. The FTDI part number is too long for the 32 QFN package so in this case the last two digits are wrapped down onto the date code line as shown in **Figure 11.2**.

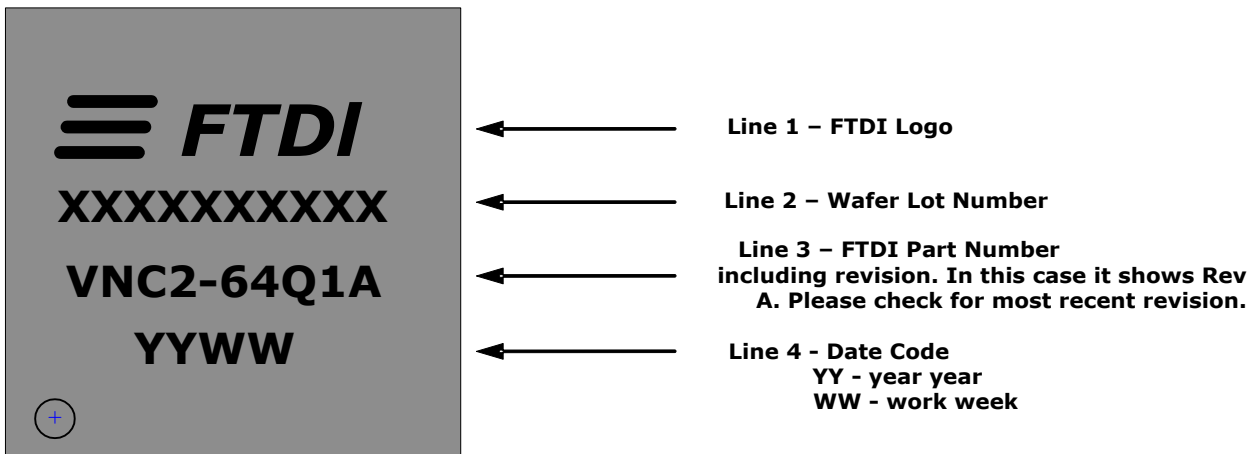


Figure 11.1 Package Markings

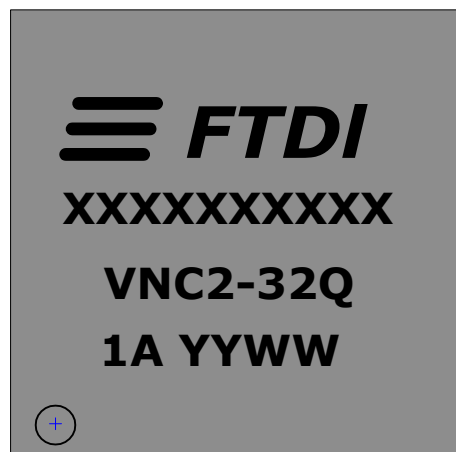
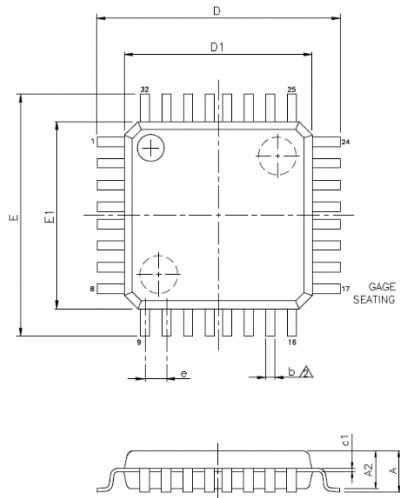


Figure 11.2 Markings – 32 QFN

The last letter of the FTDI part number is the silicon revision number. This may change from A to B to C, etc. Please check the part number for the most recent revision.

11.2 VNC2, LQFP-32 Package Dimensions



VARIATIONS (ALL DIMENSIONS SHOWN IN MM)

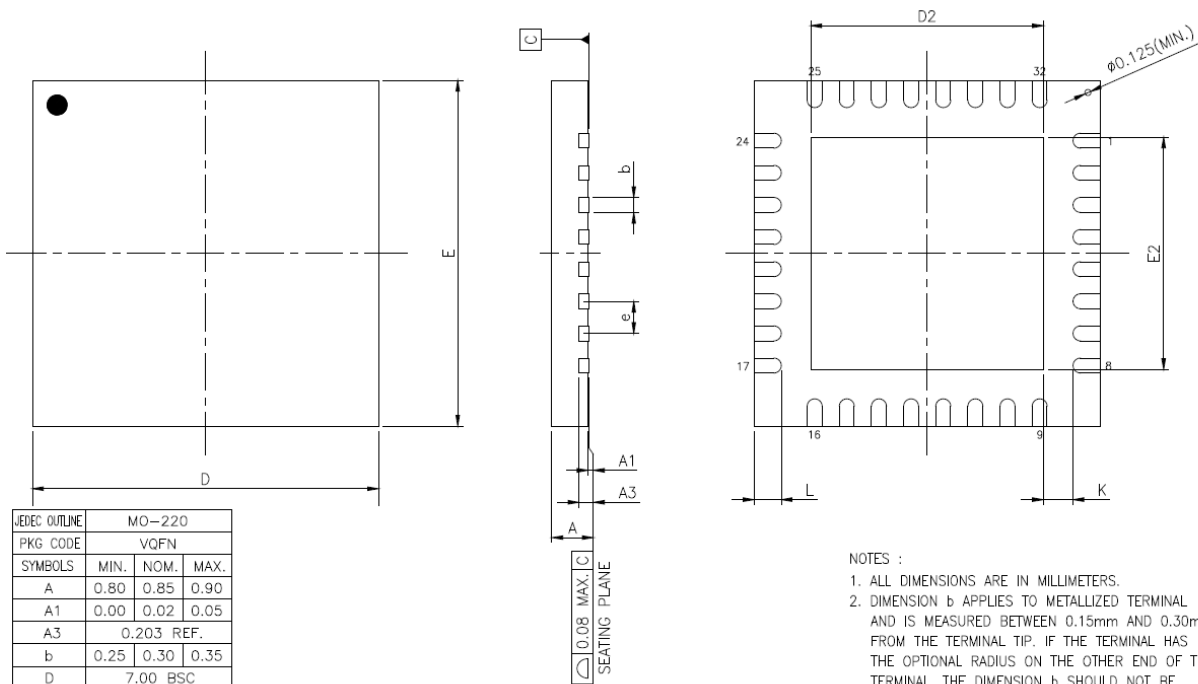
| SYMBOLS | MIN. | MAX. |
|---------|----------|------|
| A | — | 1.6 |
| A1 | 0.05 | 0.15 |
| A2 | 1.35 | 1.45 |
| c1 | 0.09 | 0.16 |
| D | 9.00 BSC | |
| D1 | 7.00 BSC | |
| E | 9.00 BSC | |
| E1 | 7.00 BSC | |
| e | 0.8 BSC | |
| b | 0.30 | 0.45 |
| L | 0.45 | 0.75 |
| L1 | 1 REF | |

NOTES:

1. JEDEC OUTLINE: MS-026 BBA
2. DIMENSIONS D1 AND E1 DO NOT INCLUDE MOLD PROTRUSION. ALLOWABLE PROTRUSION IS 0.25mm PER SIDE. D1 AND E1 ARE MAXIMUM PLASTIC BODY SIZE DIMENSIONS INCLUDING MOLD MISMATCH.
3. DIMENSION b DOES NOT INCLUDE DAMBAR PROTRUSION. ALLOWABLE DAMBAR PROTRUSION SHALL NOT CAUSE THE LEAD WIDTH TO EXCEED THE MAXIMUM b DIMENSION BY MORE THAN 0.08mm.

Figure 11.3 LQFP-32 Package Dimensions

11.3 VNC2, QFN-32 Package Dimensions



| JEDEC OUTLINE | MO-220 | | |
|---------------|------------|------|------|
| PKG CODE | VQFN | | |
| SYMBOLS | MIN. | NOM. | MAX. |
| A | 0.80 | 0.85 | 0.90 |
| A1 | 0.00 | 0.02 | 0.05 |
| A3 | 0.203 REF. | | |
| b | 0.25 | 0.30 | 0.35 |
| D | 7.00 BSC | | |
| E | 7.00 BSC | | |
| e | 0.65 BSC | | |
| L | 0.50 | 0.55 | 0.60 |
| K | 0.20 | — | — |

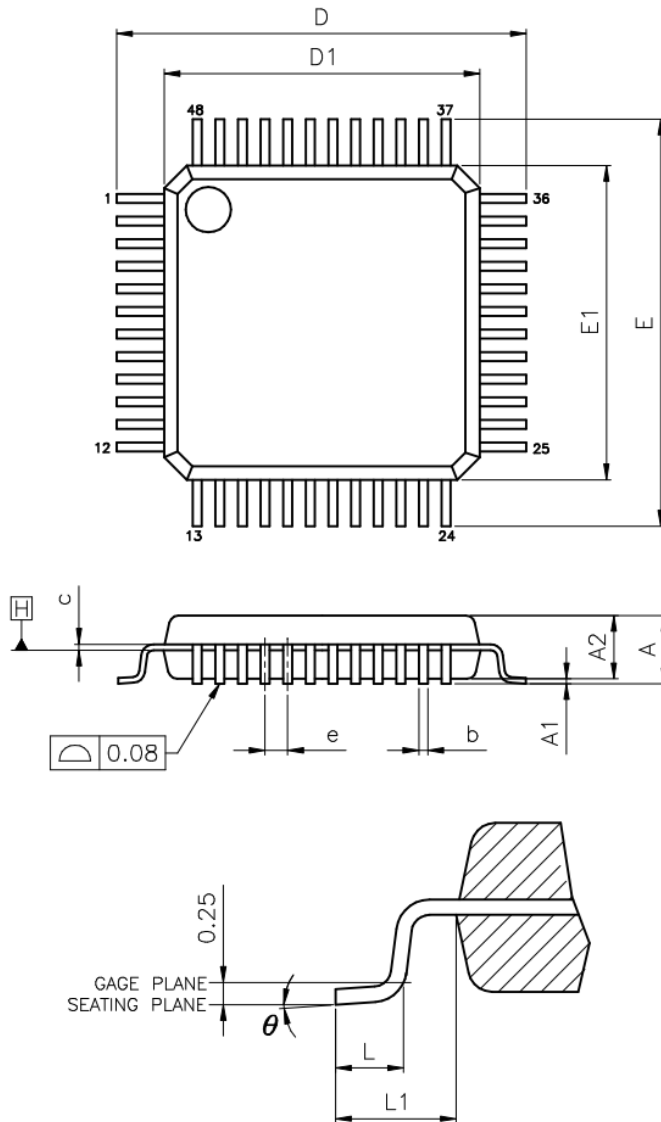
| PAD SIZE | D2 | | | E2 | | | LEAD FINISH | | JEDEC CODE |
|----------|------|------|------|------|------|------|-------------|-----|------------|
| | MIN. | NOM. | MAX. | MIN. | NOM. | MAX. | Pure Tin | PPF | |
| | 4.65 | 4.70 | 4.75 | 4.65 | 4.70 | 4.75 | V | X | N/A |

NOTES :

1. ALL DIMENSIONS ARE IN MILLIMETERS.
2. DIMENSION b APPLIES TO METALLIZED TERMINAL AND IS MEASURED BETWEEN 0.15mm AND 0.30mm FROM THE TERMINAL TIP. IF THE TERMINAL HAS THE OPTIONAL RADIUS ON THE OTHER END OF THE TERMINAL, THE DIMENSION b SHOULD NOT BE MEASURED IN THAT RADIUS AREA.
3. BILATERAL COPLANARITY ZONE APPLIES TO THE EXPOSED HEAT SINK SLUG AS WELL AS THE TERMINALS.

Figure 11.4 QFN-32 Package Dimensions

11.4 VNC2, LQFP-48 Package Dimensions



VARIATIONS (ALL DIMENSIONS SHOWN IN MM)

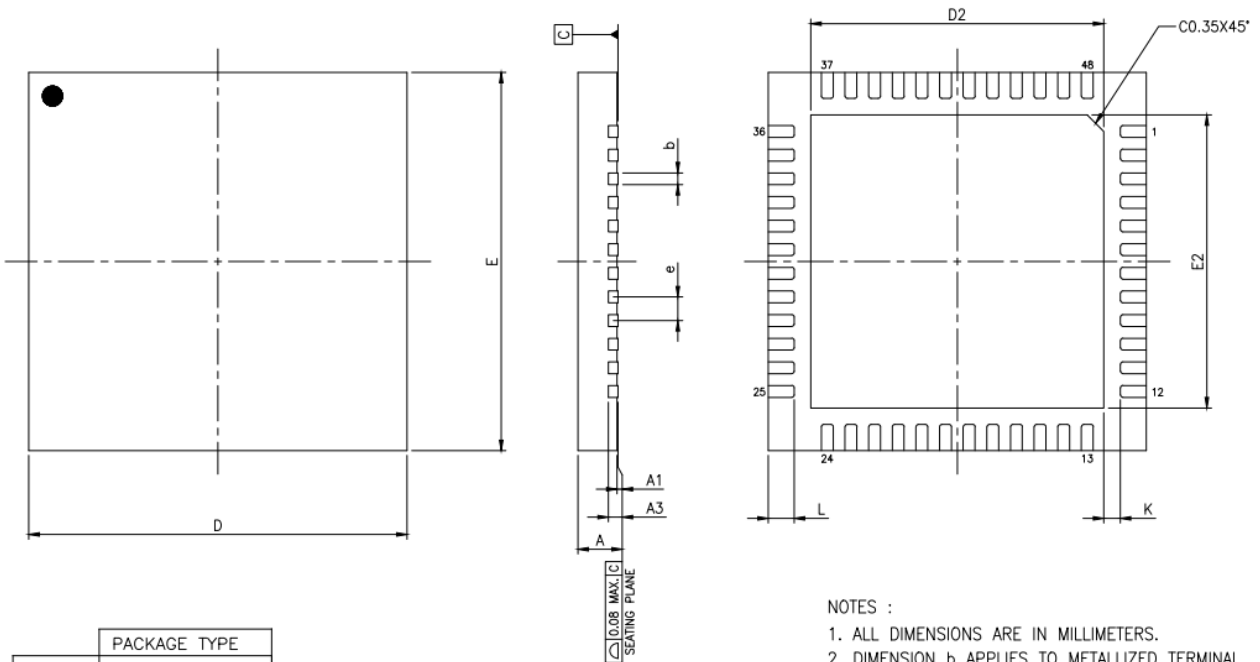
| SYMBOLS | MIN. | NOM. | MAX. |
|----------|----------|------|------|
| A | -- | -- | 1.60 |
| A1 | 0.05 | -- | 0.15 |
| A2 | 1.35 | 1.40 | 1.45 |
| b | 0.17 | 0.22 | 0.27 |
| c | 0.09 | -- | 0.20 |
| D | 9.00 BSC | | |
| D1 | 7.00 BSC | | |
| E | 9.00 BSC | | |
| E1 | 7.00 BSC | | |
| e | 0.50 BSC | | |
| L | 0.45 | 0.60 | 0.75 |
| L1 | 1.00 REF | | |
| θ | 0° | 3.5° | 7° |

NOTES:

1. JEDEC OUTLINE : MS-026 BBC
2. DATUM PLANE \square IS LOCATED AT THE BOTTOM OF THE MOLD PARTING LINE COINCIDENT WITH WHERE THE LEAD EXITS THE BODY.
3. DIMENSIONS D1 AND E1 DO NOT INCLUDE MOLD PROTRUSION. ALLOWABLE PROTRUSION IS 0.25 mm PER SIDE. DIMENSIONS D1 AND E1 DO INCLUDE MOLD MISMATCH AND ARE DETERMINED AT DATUM PLANE \square .
4. DIMENSION b DOES NOT INCLUDE DAMBAR PROTRUSION.

Figure 11.5 LQFP-48 Package Dimensions

11.5 VNC2, QFN-48 Package Dimensions



| PACKAGE TYPE | |
|---------------|----------------|
| JEDEC OUTLINE | MO-220 |
| PKG CODE | VQFN(Y849) |
| SYMBOLS | MIN. NOM. MAX. |
| A | 0.80 0.85 0.90 |
| A1 | 0.00 0.02 0.05 |
| A3 | 0.203 REF. |
| b | 0.20 0.25 0.30 |
| D | 8.00 BSC |
| E | 8.00 BSC |
| e | 0.50 BSC |
| L | 0.50 0.55 0.60 |
| K | 0.20 — — |

| PAD SIZE | D2 | | | E2 | | | LEAD FINISH | | JEDEC CODE |
|------------|------|------|------|------|------|------|-------------|-----|------------|
| | MIN. | NOM. | MAX. | MIN. | NOM. | MAX. | Pure Sn | PPF | |
| 252X25 MIL | 6.15 | 6.20 | 6.25 | 6.15 | 6.20 | 6.25 | V | X | (W)VLLD-3 |

NOTES :

1. ALL DIMENSIONS ARE IN MILLIMETERS.
2. DIMENSION b APPLIES TO METALLIZED TERMINAL AND IS MEASURED BETWEEN 0.15mm AND 0.30mm FROM THE TERMINAL TIP. IF THE TERMINAL HAS THE OPTIONAL RADIUS ON THE OTHER END OF THE TERMINAL, THE DIMENSION b SHOULD NOT BE MEASURED IN THAT RADIUS AREA.
3. BILATERAL COPLANARITY ZONE APPLIES TO THE EXPOSED HEAT SINK SLUG AS WELL AS THE TERMINALS.

Figure 11. 6 QFN-48 Package Dimensions

11.6 VNC2, LQFP-64 Package Dimensions

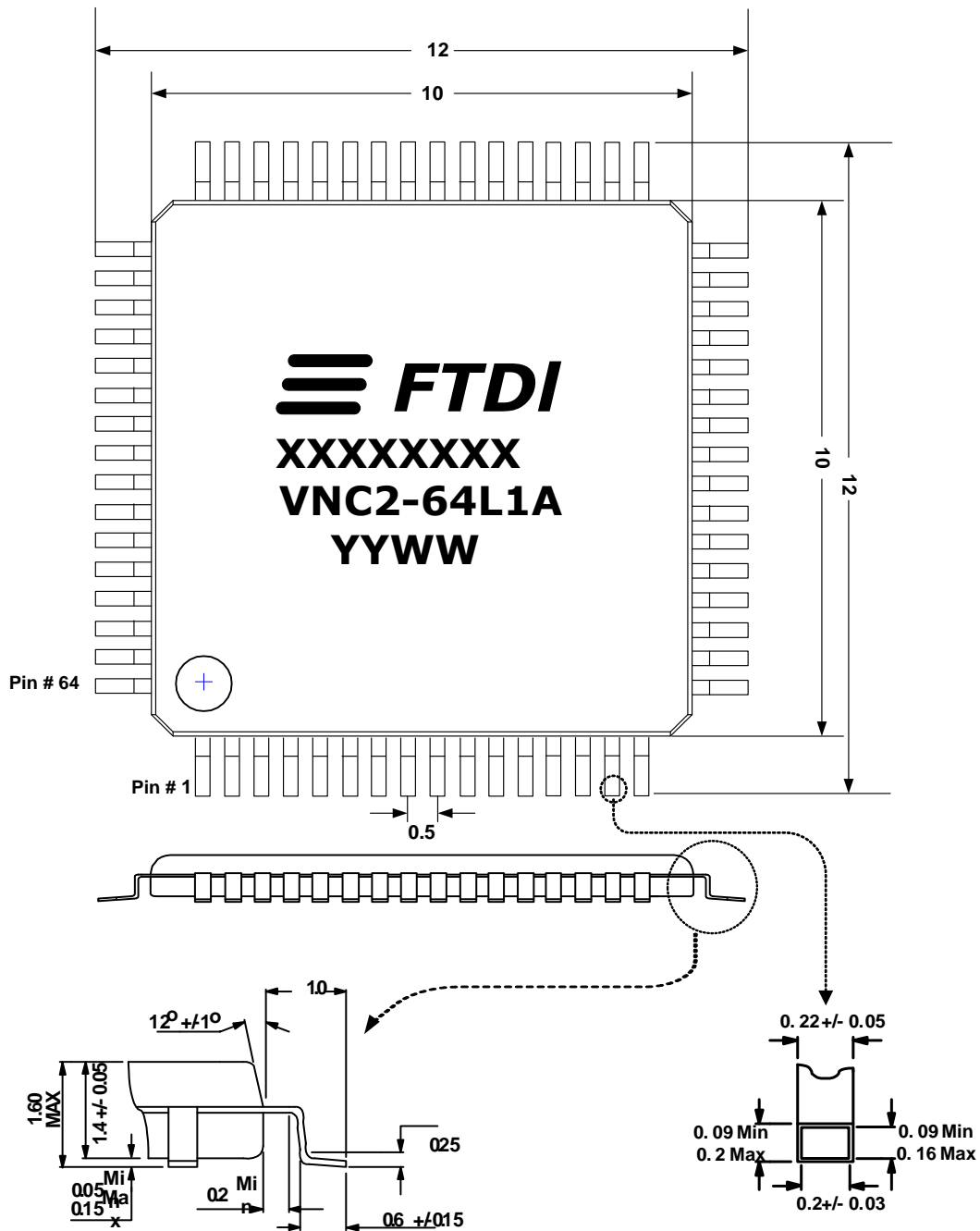


Figure 11.7 64 pin LQFP Package Details

11.7 VNC2, QFN-64 Package Dimensions

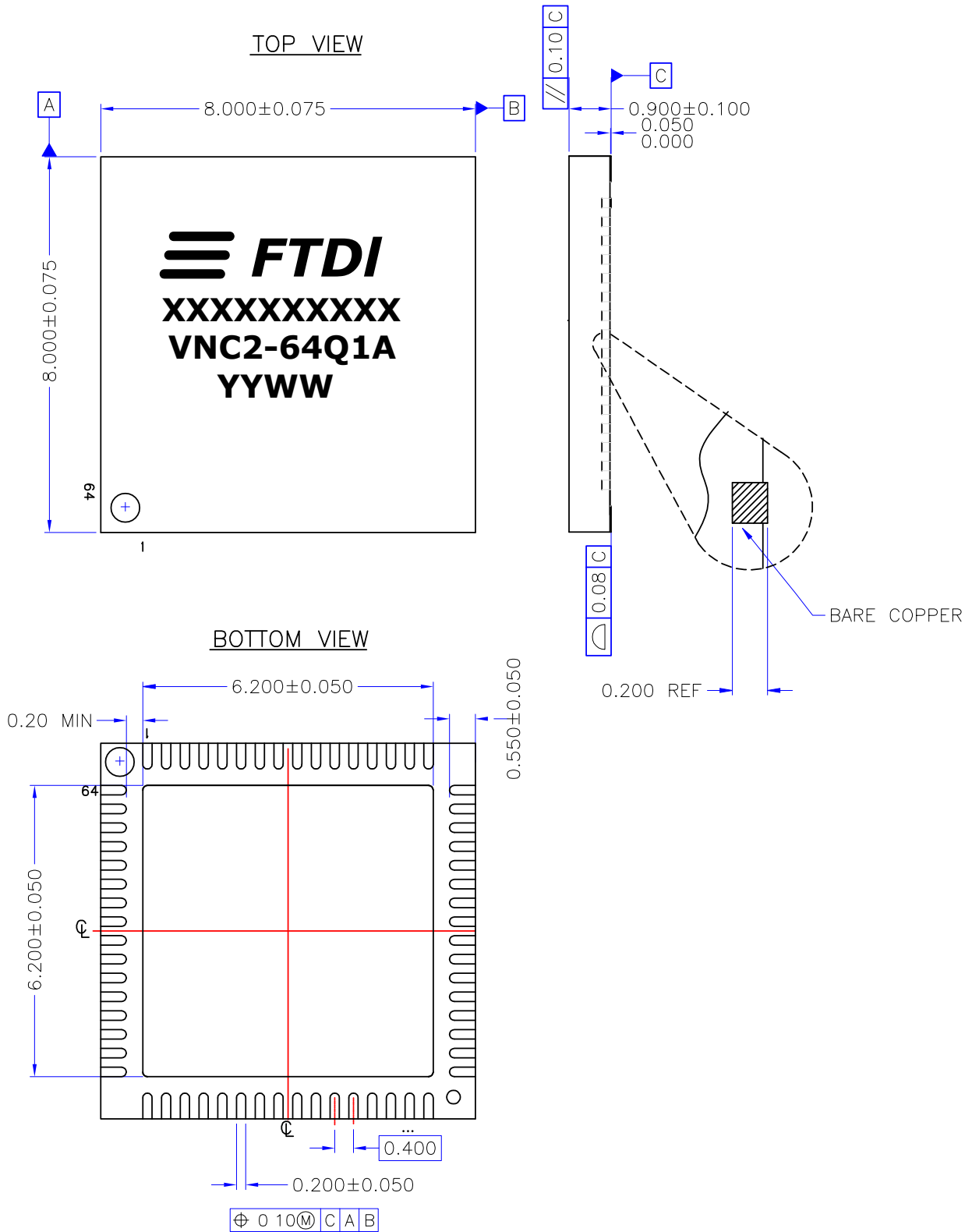


Figure 11.8 64 pin QFN Package Details

11.8 Solder Reflow Profile

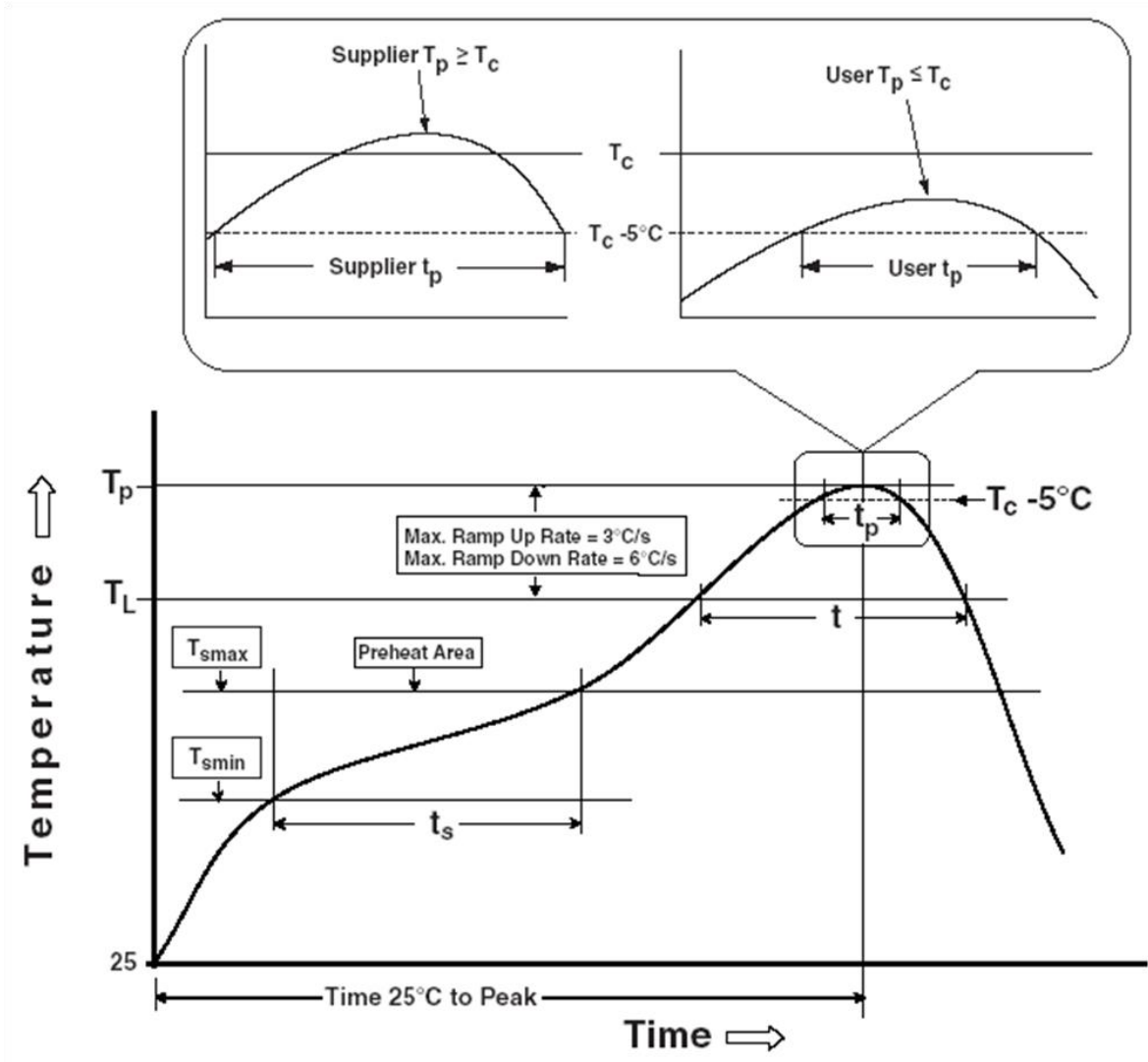


Figure 11.9 All packages Reflow Solder Profile

| Profile Feature | Pb Free Solder Process (green material) | SnPb Eutectic and Pb free (non green material) Solder Process |
|--|---|---|
| Average Ramp Up Rate (T_s to T_p) | 3°C / second Max. | 3°C / Second Max. |
| Preheat: - Temperature Min (T_s Min.) - Temperature Max (T_s Max.) - Time (t_s Min to t_s Max) | 150°C 200°C 60 to 120 seconds | 100°C 150°C 60 to 120 seconds |
| Time Maintained Above Critical Temperature T_L : - Temperature (T_L) - Time (t_L) | 217°C 60 to 150 seconds | 183°C 60 to 150 seconds |
| Peak Temperature (T_p) | 260°C | see Table 11.2 |
| Time within 5°C of actual Peak Temperature (t_p) | 30 to 40 seconds | 20 to 40 seconds |
| Ramp Down Rate | 6°C / second Max. | 6°C / second Max. |
| Time for $T = 25^\circ\text{C}$ to Peak Temperature, T_p | 8 minutes Max. | 6 minutes Max. |

Table 11.1 Reflow Profile Parameter Values

| SnPb Eutectic and Pb free (non green material) | | |
|--|------------------------------|------------------------------|
| Package Thickness | Volume mm ³ < 350 | Volume mm ³ ≥ 350 |
| < 2.5 mm | 235 +5/-0 °C | 220 +5/-0 °C |
| ≥ 2.5 mm | 220 +5/-0 °C | 220 +5/-0 °C |
| Pb Free (green material) = 260 +5/-0 °C | | |

Table 11.2 Package Reflow Peak Temperature

12 Contact Information

Head Office – Glasgow, UK

Future Technology Devices International Limited
Unit 1, 2 Seaward Place, Centurion Business Park
Glasgow G41 1HH
United Kingdom
Tel: +44 (0) 141 429 2777
Fax: +44 (0) 141 429 2758

E-mail (Sales) sales1@ftdichip.com
E-mail (Support) support1@ftdichip.com
E-mail (General Enquiries) admin1@ftdichip.com

Branch Office – Tigard, Oregon, USA

Future Technology Devices International Limited (USA)
7130 SW Fir Loop
Tigard, OR 97223-8160
USA
Tel: +1 (503) 547 0988
Fax: +1 (503) 547 0987

E-Mail (Sales) us.sales@ftdichip.com
E-Mail (Support) us.support@ftdichip.com
E-Mail (General Enquiries) us.admin@ftdichip.com

Branch Office – Taipei, Taiwan

Future Technology Devices International Limited
(Taiwan)
2F, No. 516, Sec. 1, NeiHu Road
Taipei 114
Taiwan, R.O.C.
Tel: +886 (0) 2 8797 1330
Fax: +886 (0) 2 8751 9737

E-mail (Sales) tw.sales1@ftdichip.com
E-mail (Support) tw.support1@ftdichip.com
E-mail (General Enquiries) tw.admin1@ftdichip.com

Branch Office – Shanghai, China

Future Technology Devices International Limited (China)
Room 1103, No. 666 West Huaihai Road,
Shanghai, 200052
China
Tel: +86 21 62351596
Fax: +86 21 62351595

E-mail (Sales) cn.sales@ftdichip.com
E-mail (Support) cn.support@ftdichip.com
E-mail (General Enquiries) cn.admin@ftdichip.com

Web Site

<http://ftdichip.com>

Distributor and Sales Representatives

Please visit the Sales Network page of the [FTDI Web site](#) for the contact details of our distributor(s) and sales representative(s) in your country.

Neither the whole nor any part of the information contained in, or the product described in this manual, may be adapted or reproduced in any material or electronic form without the prior written consent of the copyright holder. This product and its documentation are supplied on an as-is basis and no warranty as to their suitability for any particular purpose is either made or implied. Future Technology Devices International Ltd will not accept any claim for damages howsoever arising as a result of use or failure of this product. Your statutory rights are not affected. This product or any variant of it is not intended for use in any medical appliance, device or system in which the failure of the product might reasonably be expected to result in personal injury. This document provides preliminary information that may be subject to change without notice. No freedom to use patents or other intellectual property rights is implied by the publication of this document. Future Technology Devices International Ltd, Unit 1, 2 Seaward Place, Centurion Business Park, Glasgow G41 1HH, United Kingdom. Scotland Registered Company Number: SC136640

Appendix A – References

Document References

The following VNC2 documents and the full Vinculum-II Toolchain software suite can be downloaded by clicking on the appropriate links below:

| | |
|-------------------------|---|
| Technical note TN_108 | Vinculum Chipset Feature Comparison |
| Technical note TN_118 | Vinculum-II Errata Technical Note |
| Application note AN_118 | Migrating Vinculum Designs From VNC1L to VNC2-48L1A |
| Application note AN_137 | Vinculum-II IO Cell Description |
| Application note AN_138 | Vinculum-II Debug Interface Description |
| Application note AN_139 | Vinculum-II IO Mux Explained |
| Application note AN_140 | Vinculum-II PWM Example |
| Application note AN_142 | Vinculum-II Toolchain Getting Started Guide |
| Application note AN_144 | Vinculum-II IO Mux Configuration Utility User Guide |
| Application note AN_145 | Vinculum-II Toolchain Installation Guide |
| Application note AN_151 | Vinculum-II User Guide |
| VNC2 FTDI Web Page | Vinculum-II Web Page |

The following application notes provide pre-compiled example rom files and complete source code to allow users to get started:

- Application note AN_182 : [VNC2 UART to FT232 HostBridge](#)
- Application note AN_183 : [VNC2 UART to CDC Modem Bridge](#)
- Application note AN_185 : [VNC2 UART to USB HID Class HostBridge](#)
- Application note AN_186 : [an SPI Slave to USB Memory bridge](#)
- Application note AN_187 : [VNC2 UART to USB Memory Bridge](#)
- Application note AN_192 : [an SPI Master to a USB HID class host bridge](#)
- Application note AN_193 : [an SPI Master to a USB HID class host bridge](#)
- Application note AN_194 : [VNC2 UART to HID Class device bridge](#)
- Application note AN_195 : [an SPI Master to UART bridge](#)
- Application note AN_199 : [VNC2 SPI Slave to HID Class device bridge](#)
- Application note AN_203 : [Loading VNC2 ROM files Using V2PROG Utility](#)

For the most up to date pre-compiled rom files, please refer to the following FTDI webpage <http://www.ftdichip.com/Firmware/Precompiled.htm>

Acronyms and Abbreviations

| Terms | Description |
|-------|---|
| USB | Universal Serial Bus |
| FIFO | First In First Out |
| SPI | Serial Peripheral Interface |
| PWM | Pulse Width Modulation |
| GPIO | General Purpose Input Output |
| I/O | Input / Output |
| VNC1L | Vinculum-I |
| VNC2 | Vinculum-II |
| DMA | Direct Memory Access |
| IDE | Integrated Development Environment |
| BOMS | Bulk Only Mass Storage |
| UART | Universal Asynchronous Receiver/Transmitter |
| SIE | Serial Interface Engine |
| CPU | Central Processing Unit |
| SoC | System-on-a-chip |
| FAT | File Allocation Table |
| RTOS | Real Time Operating System |
| VOS | Vinculum Operating System |
| OSI | Open System Interconnection |
| MOSI | Master Out Slave In |
| MISO | Master In Slave Out |
| SE0 | Single Ended Zero |
| EMCU | Embedded Micro Central Processing Unit |
| FPGA | Field Programmable Gate Array |

Appendix B – List of Figures and Tables

List of Tables

| | |
|---|----|
| Table 1.1 Part Numbers | 2 |
| Table 3.1 USB Interface Group | 16 |
| Table 3.2 Power and Ground | 16 |
| Table 3.3 Miscellaneous Signal Group | 16 |
| Table 3.4 Default I/O Configuration..... | 18 |
| Table 4.1 - Peripheral Pin Requirements | 20 |
| Table 5.1 I/O Peripherals Signal Names | 26 |
| Table 5.2 Group 0 | 28 |
| Table 5.3 Group 1 | 28 |
| Table 5.4 Group 2 | 29 |
| Table 5.5 Group 3 | 29 |
| Table 6.1 Data and Control Bus Signal Mode Options – UART Interface..... | 32 |
| Table 6.2 SPI Signal Names | 33 |
| Table 6.3 - SPI Slave Speeds | 34 |
| Table 6.4 - Clock Phase/Polarity Modes..... | 34 |
| Table 6.5 Data and Control Bus Signal Mode Options - SPI Slave Interface | 36 |
| Table 6.6 SPI Command and Status Fields | 37 |
| Table 6.7 SPI Command and Status Fields | 42 |
| Table 6.8 SPI Setup Bit Encoding | 42 |
| Table 6.9 SPI Slave Data Timing | 43 |
| Table 6.10 SPI Master Data Read Status Bit | 43 |
| Table 6.11 SPI Master Data Write Status Bit | 44 |
| Table 6.12 SPI Status Read Byte – bit descriptions | 45 |
| Table 6.13 SPI Master Signal Names | 46 |
| Table 6.14 SPI Master Timing | 47 |
| Table 6.15 Debugger Signal Name | 47 |
| Table 6.16 Data and Control Bus Signal Mode Options - Parallel FIFO Interface | 49 |
| Table 6.17 Asynchronous FIFO mode Read / Write Timing | 50 |
| Table 6.18 Synchronous FIFO control signals..... | 51 |
| Table 6.19 Synchronous FIFO mode Read / Write Timing | 52 |
| Table 9.1 Absolute Maximum Ratings | 57 |
| Table 9.2 Operating Voltage and Current | 57 |
| Table 9.3 I/O Pin Characteristics..... | 58 |
| Table 9.4 USB I/O Pin (USBDP, USBDM) Characteristics | 58 |
| Table 9.5 Crystal Oscillator 1.8 Volts DC Characteristics | 58 |
| Table 9.6 ESD and Latch-up Specifications..... | 58 |
| Table 11.1 Reflow Profile Parameter Values..... | 67 |
| Table 11.2 Package Reflow Peak Temperature | 67 |

List of Figures

| | |
|---|----|
| Figure 2.1 Simplified VNC2 Block Diagram | 3 |
| Figure 3.1 32 Pin LQFP – Top Down View | 7 |
| Figure 3.2 32 Pin QFN – Top Down View | 8 |
| Figure 3.3 48 Pin LQFP – Top Down View | 9 |
| Figure 3.4 48 Pin QFN – Top Down View | 10 |
| Figure 3.5 64 Pin LQFP – Top Down View | 11 |
| Figure 3.6 64 Pin QFN – Top Down View | 12 |
| Figure 3.7 Schematic Symbol 32 Pin | 13 |
| Figure 3.8 Schematic Symbol 48 Pin | 14 |
| Figure 3.9 Schematic Symbol 64 Pin | 15 |
| Figure 5.1 IOBUS to Group Relationship-64 Pin | 22 |
| Figure 5.2 IOBUS to UART, SPI slave0 and SPI master example | 23 |
| Figure 5.3 IOBUS to UART, SPI slave0 and SPI master second example..... | 24 |
| Figure 5.4 IOBUS to UART, SPI slave0 and SPI master third example..... | 25 |
| Figure 5.5 VNC2 Toolchain App Wizard showing IOMUX Configuration..... | 27 |
| Figure 5.6 UART Example 64 pin..... | 30 |
| Figure 6.1 UART Receive Waveform | 31 |
| Figure 6.2 UART Transmit Waveform..... | 31 |
| Figure 6.3 - SPI CPOL CPHA Function | 35 |
| Figure 6.4 SPI Slave block diagram..... | 35 |
| Figure 6.5 Full Duplex Data Master Write | 36 |
| Figure 6.6 Full Duplex Data Master Read | 37 |
| Figure 6.7 SPI Command and Status Structure..... | 37 |
| Figure 6.8 Half Duplex Data Master Write | 38 |
| Figure 6.9 Half Duplex Data Master Read..... | 38 |
| Figure 6.10 Half Duplex 3-pin Data Master Write | 39 |
| Figure 6.11 Half Duplex 3-pin Data Master Read..... | 39 |
| Figure 6.12 Unmanaged Mode Transfer Diagram..... | 40 |
| Figure 6.13 VNC1L Mode Data Write | 41 |
| Figure 6.14 VNC1L Mode Data Read..... | 41 |
| Figure 6.15 VNC1L Compatible SPI Command and Status Structure | 41 |
| Figure 6.16 SPI Slave Mode Timing | 43 |
| Figure 6.17 SPI Master Data Read (VNC2 Slave Mode) | 44 |
| Figure 6.18 SPI Slave Mode Data Write | 44 |
| Figure 6.19 SPI Slave Mode Status Read | 45 |
| Figure 6.20 SPI Master block diagram | 45 |
| Figure 6.21 Typical SPI Master Timing | 47 |
| Figure 6.22 Asynchronous FIFO mode Read / Write Cycle | 50 |
| Figure 6.23 Synchronous FIFO mode Read / Write Cycle..... | 51 |
| Figure 6.24 PWM – Timing Diagram | 53 |
| Figure 6.25 GPIO Port Groups | 53 |
| Figure 7.1 USB Modes | 54 |
| Figure 10.1 VNC2 Schematic (MCU – UART Interface) | 59 |

| | |
|---|----|
| Figure 11.1 Package Markings | 60 |
| Figure 11.2 Markings – 32 QFN | 60 |
| Figure 11.3 LQFP-32 Package Dimensions..... | 61 |
| Figure 11.4 QFN-32 Package Dimensions..... | 61 |
| Figure 11.5 LQFP-48 Package Dimensions..... | 62 |
| Figure 11. 6 QFN-48 Package Dimensions..... | 63 |
| Figure 11.7 64 pin LQFP Package Details | 64 |
| Figure 11.8 64 pin QFN Package Details..... | 65 |
| Figure 11.9 All packages Reflow Solder Profile..... | 66 |

Appendix C – Revision History

Document Title: Vinculum-II Embedded Dual USB Host Controller IC Datasheet
 Document Reference No.: FT_000138
 Clearance No.: FTDI# 143
 Product Page: [Vinculum-II](#)
 Document Feedback: [Send Feedback](#)

| Revision | Changes | Date |
|----------|---|------------|
| 1.0 | Initial Release | 2010-02-26 |
| 1.1 | Changed gpio signal names, fixed minor typographical errors, added crystal characteristic information, added ESD table | 2010-09-09 |
| 1.2 | Revised part numbers to "Rev B" in section 1.2, added notes to sections 3.12 and 5 – default pin assignments | 2010-10-07 |
| 1.3 | Added USB transfer/transaction combinations | 2011-04-19 |
| 1.31 | Table 37 (now 9.6) modified | 2011-05-16 |
| 1.32 | Table 33 (now 9.2) modified | 2011-05-17 |
| 1.4 | Renumbered and reformatted figures and tables, Added life/safety notice, Added comments regarding 48LQFP package in table 3.2, Replaced Figure 5.5 with new screen shot, Updated list of pre-compiled firmware in section 8.4, Replaced schematic and added notes in Section 10, Updated header, Updated revision history and contact information pages | 2011-10-17 |
| 1.5 | Added notes (5V safe inputs) in section 3.11, 3.12 and first page. Added links to pre-compiled rom files. | 2012-03-14 |
| 1.6 | XTIN is referenced to 1.8V VCC PLL IN - Tables 3.3 and 9.1 Pin 8 updated from TEST to NC for rev C | 2016-07-07 |
| 1.7 | Removed revision code in table1.1 | 2016-07-21 |
| 1.8 | Updated Figure 11.3, Figure11.4, Figure11.5, Figure11.6 package dimensions | 2019-05-27 |

Данный компонент на территории Российской Федерации

Вы можете приобрести в компании MosChip.

Для оперативного оформления запроса Вам необходимо перейти по данной ссылке:

<http://moschip.ru/get-element>

Вы можете разместить у нас заказ для любого Вашего проекта, будь то серийное производство или разработка единичного прибора.

В нашем ассортименте представлены ведущие мировые производители активных и пассивных электронных компонентов.

Нашей специализацией является поставка электронной компонентной базы двойного назначения, продукции таких производителей как XILINX, Intel (ex.ALTERA), Vicor, Microchip, Texas Instruments, Analog Devices, Mini-Circuits, Amphenol, Glenair.

Сотрудничество с глобальными дистрибьюторами электронных компонентов, предоставляет возможность заказывать и получать с международных складов практически любой перечень компонентов в оптимальные для Вас сроки.

На всех этапах разработки и производства наши партнеры могут получить квалифицированную поддержку опытных инженеров.

Система менеджмента качества компании отвечает требованиям в соответствии с ГОСТ Р ИСО 9001, ГОСТ РВ 0015-002 и ЭС РД 009

Офис по работе с юридическими лицами:

105318, г.Москва, ул.Щербаковская д.3, офис 1107, 1118, ДЦ «Щербаковский»

Телефон: +7 495 668-12-70 (многоканальный)

Факс: +7 495 668-12-70 (доб.304)

E-mail: info@moschip.ru

Skype отдела продаж:

moschip.ru

moschip.ru_4

moschip.ru_6

moschip.ru_9