

### DESCRIPTION

The HF500-30 is a fixed-frequency, current-mode regulator with built-in slope compensation. The HF500-30 combines a 700V MOSFET and a full-featured controller into one chip for a low-power, offline, flyback, switch-mode power supply.

At medium and heavy loads, the regulator works in a fixed frequency with frequency jittering. Jittering helps reduce EMI energy on the switching frequency and its harmonics. During a light-load condition, the regulator freezes the peak current and reduces its switching frequency to 25kHz to offer excellent efficiency. At very light loads, the regulator enters burst mode to achieve low standby power consumption.

Full protection features include brown-in and brown-out, VCC under-voltage lockout (UVLO), overload protection (OLP), short-circuit protection (SCP), input over-voltage protection (OVP), VCC over-voltage protection (OVP), and over-temperature protection (OTP).

The HF500-30 features over-power line compensation to ensure that the overload protection point is independent of the input voltage.

The HF500-30 is available in a PDIP8-7B package.

|                         | Maximum Output Power <sup>(1)</sup> |                           |                                        |                           |
|-------------------------|-------------------------------------|---------------------------|----------------------------------------|---------------------------|
|                         | 230V <sub>AC</sub> ± 15%            |                           | 85V <sub>AC</sub> ~ 265V <sub>AC</sub> |                           |
|                         | Adapter <sup>(2)</sup>              | Open Frame <sup>(3)</sup> | Adapter <sup>(2)</sup>                 | Open Frame <sup>(3)</sup> |
| P <sub>OUT</sub><br>(W) | 30                                  | 45                        | 20                                     | 30                        |

**NOTES:**

- 1) The junction temperature can limit the maximum output power.
- 2) Maximum continuous power in a non-ventilated enclosed adapter measured at 50°C ambient temperature.
- 3) Maximum continuous power in an open frame design at 50°C ambient temperature.

### FEATURES

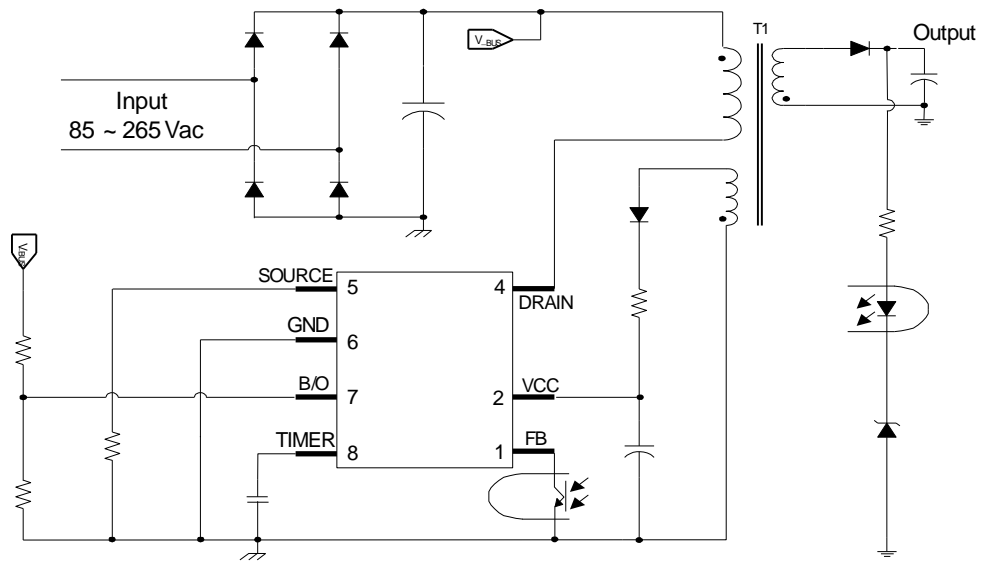
- 700V/1.4Ω Integrated MOSFET
- Fixed-Frequency, Current-Mode Control Operation with Built-In Slope Compensation
- Frequency Foldback Down to 25kHz at Light Load
- Burst Mode for Low Standby Power Consumption
- Frequency Jittering for a Reduced EMI Signature
- Over-Power Compensation
- Internal High-Voltage Current Source
- VCC Under-Voltage Lockout (UVLO) with Hysteresis
- Programmable Input B/O and Over-Voltage Protection (OVP)
- VCC Over-Voltage Protection (OVP)
- Overload Protection (OLP) with Programmable Delay
- Latch-Off Protection on TIMER
- Over-Temperature Protection (OTP) (Auto-Restart with Hysteresis)
- Short-Circuit Protection (SCP)
- Programmable Soft Start (SS)
- Available in a PDIP8-7B Package

### APPLICATIONS

- Power Supplies for Home Appliances
- Set-Top Boxes
- Standby and Auxiliary Power
- Adapters

All MPS parts are lead-free, halogen-free, and adhere to the RoHS directive. For MPS green status, please visit the MPS website under Quality Assurance. "MPS" and "The Future of Analog IC Technology" are registered trademarks of Monolithic Power Systems, Inc.

**TYPICAL APPLICATION**



## ORDERING INFORMATION

| Part Number* | Package  | Top Marking      |
|--------------|----------|------------------|
| HF500GP-30   | PDIP8-7B | <i>See Below</i> |

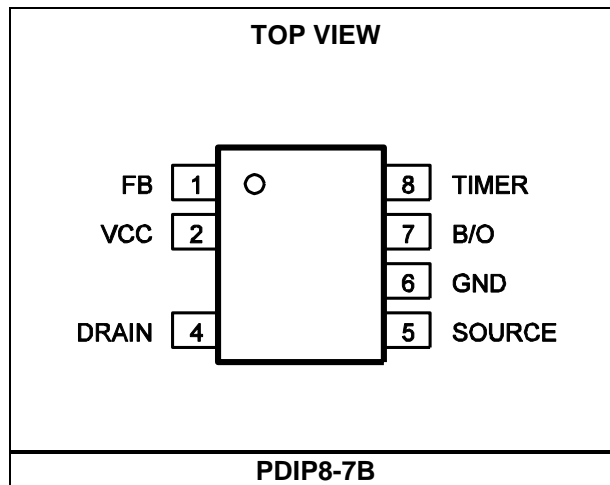
\* For Tape & Reel, add suffix -Z (e.g. HF500GP-30-Z)

## TOP MARKING

MPS YYWW  
**HF500-30**  
**LLLLLLLL**

MPS: MPS prefix  
 YY: Year code  
 WW: Week code  
 HF500-30: Product code of HF500GP-30  
 LLLLLLLL: Lot number

## PACKAGE REFERENCE



**ABSOLUTE MAXIMUM RATINGS <sup>(4)</sup>**

|                                                                           |                 |
|---------------------------------------------------------------------------|-----------------|
| DRAIN breakdown voltage.....                                              | -0.3V to 700V   |
| VCC to GND.....                                                           | -0.3V to 30V    |
| FB, TIMER, SOURCE, B/O to GND.....                                        | -0.3V to 7V     |
| .....                                                                     | -0.3V to 7V     |
| Continuous power dissipation ( $T_A = +25^\circ\text{C}$ ) <sup>(5)</sup> | 1.19W           |
| .....                                                                     | 1.19W           |
| Junction temperature.....                                                 | 150°C           |
| Lead temperature.....                                                     | 260°C           |
| Storage temperature.....                                                  | -60°C to +150°C |
| ESD capability human body model (all pins except DRAIN).....              | 4.0kV           |
| ESD capability machine model.....                                         | 200V            |

**Recommended Operating Conditions <sup>(6)</sup>**

|                                        |                 |
|----------------------------------------|-----------------|
| Operating junction temp. ( $T_J$ ) ... | -40°C to +125°C |
| Operating VCC range.....               | 9V to 24V       |

|                                          |               |               |
|------------------------------------------|---------------|---------------|
| <b>Thermal Resistance <sup>(7)</sup></b> | $\theta_{JA}$ | $\theta_{JC}$ |
| PDIP8-7B.....                            | 105.....      | 45 ... °C/W   |

**NOTES:**

- 4) Exceeding these ratings may damage the device.
- 5) The maximum allowable power dissipation is a function of the maximum junction temperature  $T_J(\text{MAX})$ , the junction-to-ambient thermal resistance  $\theta_{JA}$ , and the ambient temperature  $T_A$ . The maximum allowable continuous power dissipation at any ambient temperature is calculated by  $P_D(\text{MAX}) = (T_J(\text{MAX}) - T_A) / \theta_{JA}$ . Exceeding the maximum allowable power dissipation produces an excessive die temperature, causing the regulator to go into thermal shutdown. Internal thermal shutdown circuitry protects the device from permanent damage.
- 6) The device is not guaranteed to function outside of its operating conditions.
- 7) Measured on JESD51-7, 4-layer PCB.

**ELECTRICAL CHARACTERISTICS**

VCC = 16V, T<sub>J</sub> = -40°C to 125°C, min and max values are guaranteed by characterization, typical values are tested under 25°C, unless otherwise noted.

| Parameter                                                                          | Symbol                                      | Conditions                                                   | Min | Typ  | Max  | Unit |
|------------------------------------------------------------------------------------|---------------------------------------------|--------------------------------------------------------------|-----|------|------|------|
| <b>Start-Up Current Source (DRAIN)</b>                                             |                                             |                                                              |     |      |      |      |
| Supply current from DRAIN                                                          | I <sub>Drain_0</sub>                        | VCC = 0V,<br>V <sub>DRAIN</sub> = 120V/400V                  | 1.4 | 3.6  | 6.2  | mA   |
|                                                                                    | I <sub>Drain_11</sub>                       | VCC = 11V,<br>V <sub>DRAIN</sub> = 120V/400V                 | 1.4 | 5    | 7.9  |      |
| Leakage current from DRAIN                                                         | I <sub>LK</sub>                             | VCC = 10V,<br>V <sub>DRAIN</sub> = 400V                      |     | 4.5  | 10.5 | μA   |
| Breakdown voltage                                                                  | V <sub>BR</sub>                             | T <sub>J</sub> = 25°C                                        | 700 |      |      | V    |
| <b>Internal MOSFET (DRAIN)</b>                                                     |                                             |                                                              |     |      |      |      |
| On-state resistance                                                                | R <sub>DS_ON</sub>                          | VCC = 10.5V, I <sub>D</sub> = 0.1A,<br>T <sub>J</sub> = 25°C |     | 1.4  | 1.6  | Ω    |
| <b>Supply Voltage Management (VCC)</b>                                             |                                             |                                                              |     |      |      |      |
| VCC level (increasing) where the internal regulator stops                          | VCC <sub>OFF</sub>                          |                                                              | 11  | 12   | 13   | V    |
| VCC level (decreasing) where the IC shuts down and the internal regulator turns on | VCC <sub>UVLO</sub>                         |                                                              | 6   | 7    | 8    | V    |
| VCC UVLO hysteresis                                                                | VCC <sub>OFF</sub> -<br>VCC <sub>UVLO</sub> |                                                              | 4   | 4.8  |      | V    |
| VCC recharge level when protection occurs                                          | VCC <sub>PRO</sub>                          |                                                              | 4.7 | 5.3  | 5.9  | V    |
| VCC decreasing level where the latch-off phase ends                                | VCC <sub>LATCH</sub>                        |                                                              |     | 2.5  |      | V    |
| Internal IC consumption                                                            | I <sub>CC</sub>                             | V <sub>FB</sub> = 3V, VCC = 12V                              |     | 0.9  | 1.2  | mA   |
| Internal IC consumption, latch-off phase                                           | I <sub>CC</sub> LATCH                       | VCC = 12V, T <sub>J</sub> = 25°C                             |     | 700  | 900  | μA   |
| Voltage on VCC (upper limit) where the regulator latches off (OVP)                 | V <sub>OVP</sub>                            |                                                              | 25  | 27   | 29   | V    |
| Blanking duration on the OVP comparator                                            | T <sub>OVP</sub>                            |                                                              |     | 60   |      | μs   |
| <b>Oscillator</b>                                                                  |                                             |                                                              |     |      |      |      |
| Oscillator frequency                                                               | f <sub>OSC</sub>                            | V <sub>FB</sub> > 1.85V, T <sub>J</sub> = 25°C               | 62  | 65   | 68   | kHz  |
| Frequency jittering amplitude in percentage of f <sub>OSC</sub>                    | A <sub>jitter</sub>                         | V <sub>FB</sub> > 1.85V, T <sub>J</sub> = 25°C               | ±5  | ±6.5 | ±8   | %    |
| Frequency jittering entry level                                                    | V <sub>FB_JITTER</sub>                      |                                                              |     |      | 1.95 | V    |
| Frequency jittering modulation period                                              | T <sub>jitter</sub>                         | C <sub>TIMER</sub> = 47nF                                    |     | 3.7  |      | ms   |

**ELECTRICAL CHARACTERISTICS (continued)**

VCC = 16V, T<sub>J</sub> = -40°C to 125°C, min and max values are guaranteed by characterization, typical values are tested under 25°C, unless otherwise noted.

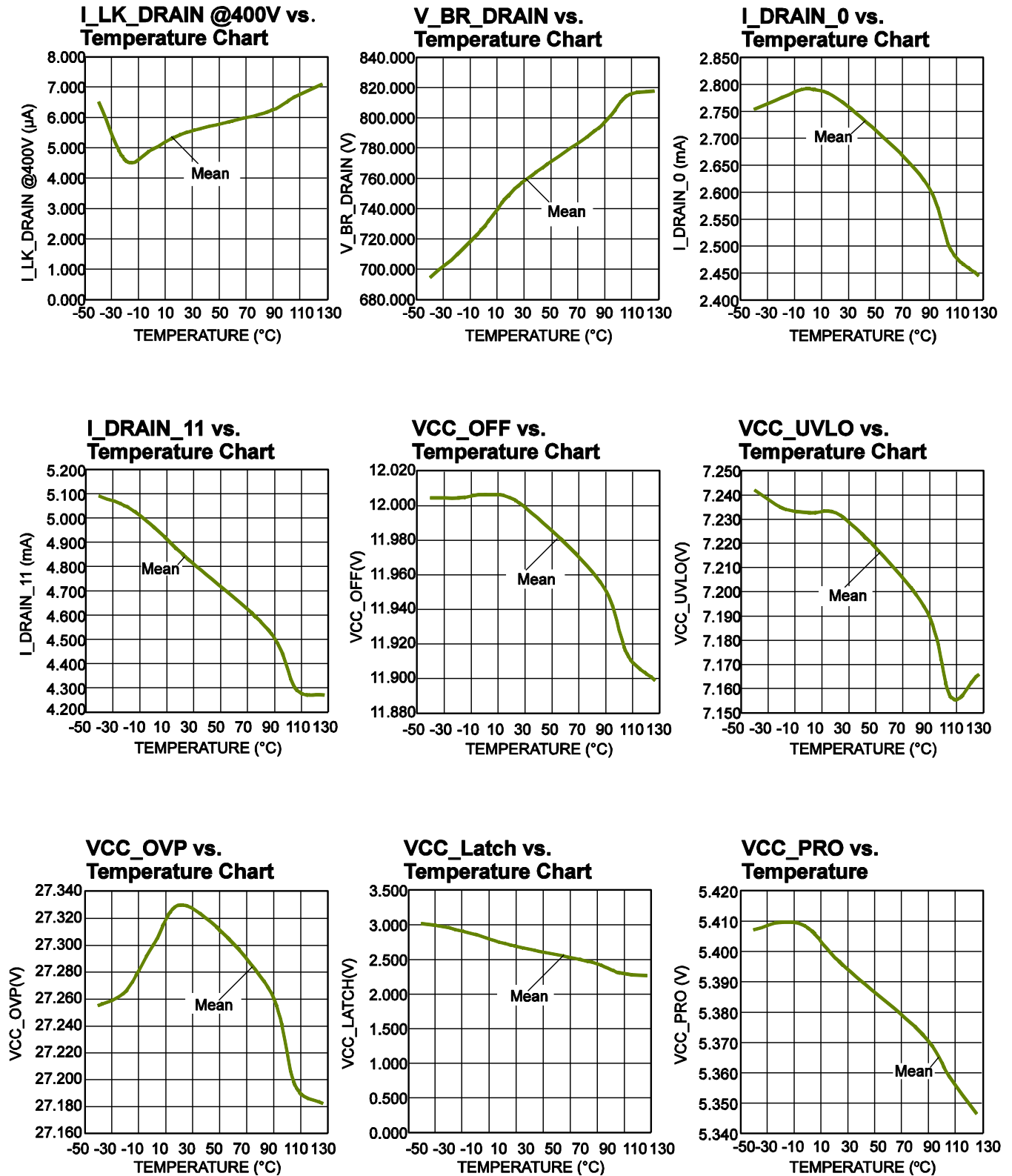
| Parameter                                                    | Symbol               | Conditions                  | Min   | Typ  | Max  | Unit  |
|--------------------------------------------------------------|----------------------|-----------------------------|-------|------|------|-------|
| <b>Protections (B/O)</b>                                     |                      |                             |       |      |      |       |
| Brown-in threshold voltage on B/O                            | V <sub>B/O_IN</sub>  | V <sub>B/O</sub> increasing | 0.95  | 1    | 1.05 | V     |
| Brown-out threshold voltage on B/O                           | V <sub>B/O_OUT</sub> | V <sub>B/O</sub> decreasing | 0.85  | 0.9  | 0.95 | V     |
| Brown-in/-out hysteresis                                     | ΔV <sub>B/O</sub>    |                             | 0.065 | 0.1  | 0.14 | V     |
| Timer duration for line cycle dropout                        | T <sub>B/O</sub>     | C <sub>TIMER</sub> = 47nF   | 34    | 55   |      | ms    |
| Input OVP threshold on B/O                                   | OVP <sub>B/O</sub>   |                             | 4.2   | 4.5  | 4.8  | V     |
| Input OVP delay time                                         | T <sub>OVPB/O</sub>  |                             |       | 90   |      | μs    |
| Voltage on B/O to disable B/O and input OVP function         | V <sub>DIS</sub>     |                             | 5.4   | 6    | 6.6  | V     |
| Clamp voltage on B/O                                         | V <sub>B/O_Cla</sub> |                             | 7     |      |      | V     |
| Input impedance                                              | R <sub>B/O</sub>     |                             | 1.2   |      |      | MΩ    |
| <b>Current Sense (SOURCE)</b>                                |                      |                             |       |      |      |       |
| Current limit point                                          | V <sub>ILIM</sub>    |                             | 0.93  | 1    | 1.07 | V     |
| Short-circuit protection point                               | V <sub>SCP</sub>     |                             | 1.3   | 1.5  | 1.7  | V     |
| Current limitation during frequency foldback                 | V <sub>FOLD</sub>    | V <sub>FB</sub> = 1.85V     | 0.63  | 0.68 | 0.73 | V     |
| Current limitation when entering burst                       | V <sub>IBURL</sub>   | V <sub>FB</sub> = 0.7V      |       | 0.1  |      | V     |
| Current limitation when exiting burst                        | V <sub>IBURH</sub>   | V <sub>FB</sub> = 0.8V      |       | 0.13 |      | V     |
| Leading-edge blanking for V <sub>ILIM</sub>                  | T <sub>LEB1</sub>    |                             |       | 350  |      | ns    |
| Leading-edge blanking for V <sub>SCP</sub>                   | T <sub>LEB2</sub>    |                             |       | 270  |      | ns    |
| Slope of the compensation ramp                               | S <sub>RAMP</sub>    |                             | 18    | 25   | 31   | mV/μs |
| <b>Feedback (FB)</b>                                         |                      |                             |       |      |      |       |
| Internal pull-up resistor                                    | R <sub>FB</sub>      | T <sub>J</sub> = 25°C       | 12    | 13.5 | 15   | kΩ    |
| Internal pull-up voltage                                     | V <sub>DD</sub>      |                             |       | 4.3  |      | V     |
| V <sub>FB</sub> to internal current-set point division ratio | K <sub>FB1</sub>     | V <sub>FB</sub> = 2V        | 2.5   | 2.8  | 3.1  |       |
| V <sub>FB</sub> to current-set point division ratio          | K <sub>FB2</sub>     | V <sub>FB</sub> = 3V        | 2.8   | 3.1  | 3.4  |       |
| FB level (decreasing) where the regulator enters burst mode  | V <sub>BURL</sub>    |                             | 0.63  | 0.7  | 0.77 | V     |
| FB level (increasing) where the regulator exits burst mode   | V <sub>BURH</sub>    |                             | 0.72  | 0.8  | 0.88 | V     |

**ELECTRICAL CHARACTERISTICS (continued)**

VCC = 16V, T<sub>J</sub> = -40°C to 125°C, min and max values are guaranteed by characterization, typical values are tested under 25°C, unless otherwise noted.

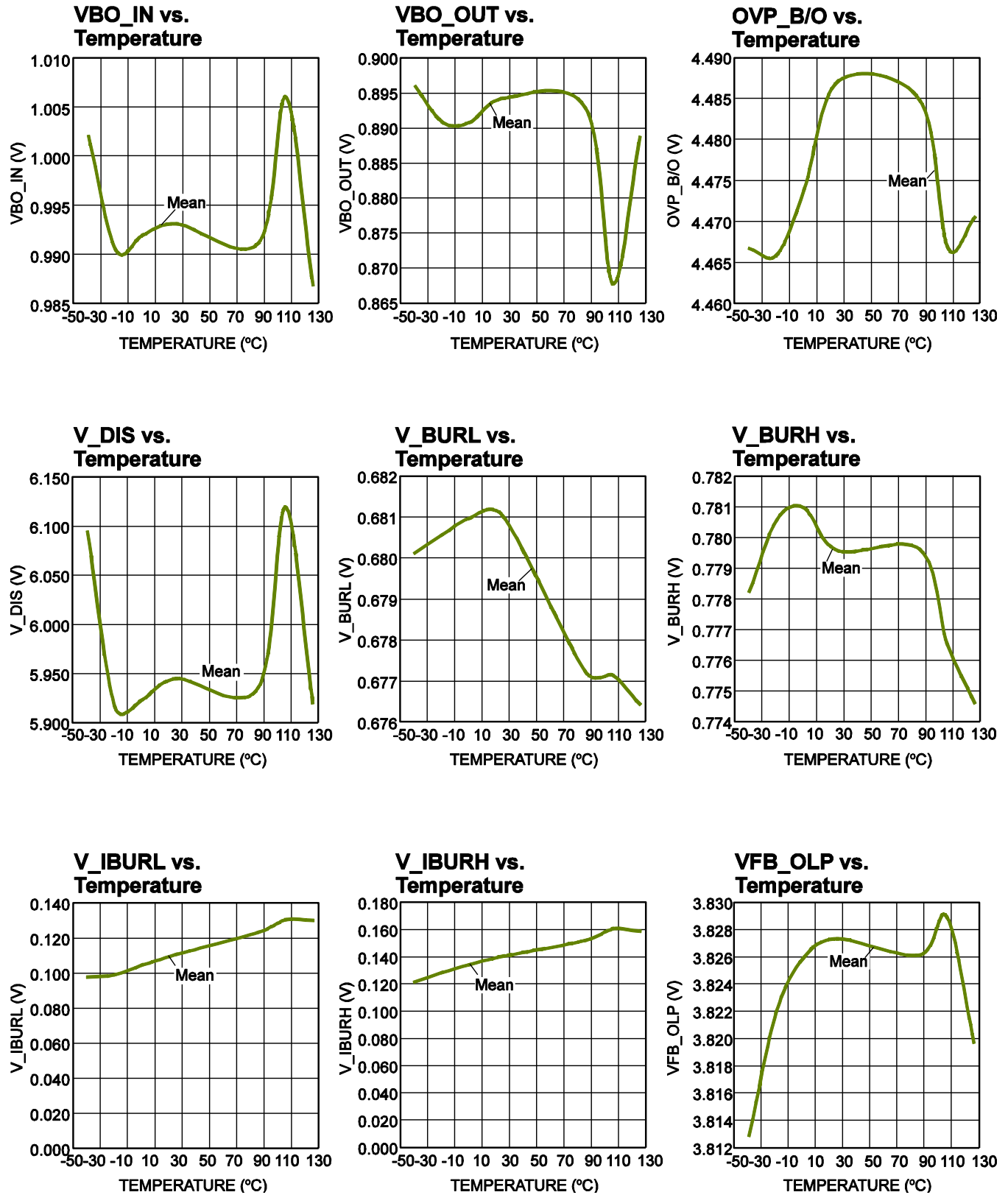
| Parameter                                                      | Symbol                    | Conditions                                                             | Min  | Typ | Max | Unit |
|----------------------------------------------------------------|---------------------------|------------------------------------------------------------------------|------|-----|-----|------|
| <b>Overload Protection (FB)</b>                                |                           |                                                                        |      |     |     |      |
| FB level where the regulator enters OLP after a dedicated time | V <sub>OLP</sub>          |                                                                        |      | 3.7 |     | V    |
| Time duration before OLP when FB reaches the protection point  | T <sub>OLP</sub>          | C <sub>TIMER</sub> = 47nF                                              | 32   |     |     | ms   |
| <b>Over-Power Compensation (B/O)</b>                           |                           |                                                                        |      |     |     |      |
| Compensation voltage                                           | V <sub>OPC</sub>          | V <sub>B/O</sub> = 1.1V, V <sub>FB</sub> = 2.5V, T <sub>J</sub> = 25°C |      | 0   |     | mV   |
|                                                                |                           | V <sub>B/O</sub> = 1.3V, V <sub>FB</sub> = 2.5V, T <sub>J</sub> = 25°C |      | 19  |     |      |
|                                                                |                           | V <sub>B/O</sub> = 2.9V, V <sub>FB</sub> = 2.5V, T <sub>J</sub> = 25°C | 153  | 200 | 247 |      |
|                                                                |                           | V <sub>B/O</sub> = 3.5V, V <sub>FB</sub> = 2.5V, T <sub>J</sub> = 25°C | 205  | 270 | 335 |      |
|                                                                |                           | V <sub>B/O</sub> > V <sub>DIS</sub> , T <sub>J</sub> = 25°C            |      | 0   |     |      |
| FB voltage (lower limit) when compensation is removed          | V <sub>OPC(OFF)</sub>     |                                                                        | 0.55 |     |     | V    |
| FB voltage (upper limit) when compensation is fully applied    | V <sub>OPC(ON)</sub>      |                                                                        |      |     | 2.5 | V    |
| <b>Frequency Foldback</b>                                      |                           |                                                                        |      |     |     |      |
| FB voltage (lower threshold) when frequency foldback starts    | V <sub>FB(FOLD)</sub>     |                                                                        |      | 1.8 |     | V    |
| Minimum switching frequency                                    | f <sub>OSC(min)</sub>     | T <sub>J</sub> = 25°C                                                  | 20.5 | 25  | 30  | kHz  |
| FB voltage (lower threshold) when frequency foldback ends      | V <sub>FB(FOLDE)</sub>    |                                                                        |      | 1   |     | V    |
| <b>Latch-Off Input (Integration in TIMER)</b>                  |                           |                                                                        |      |     |     |      |
| Lower threshold when the regulator is latched                  | V <sub>TIMER(LATCH)</sub> |                                                                        | 0.7  | 1   | 1.2 | V    |
| Blanking duration on latch detection                           | T <sub>LATCH</sub>        |                                                                        |      | 42  |     | μs   |
| <b>Over-Temperature Protection (OTP)</b>                       |                           |                                                                        |      |     |     |      |
| Thermal shutdown threshold                                     | T <sub>OTP</sub>          |                                                                        |      | 150 |     | °C   |
| Thermal shutdown hysteresis                                    | T <sub>OTP(HYS)</sub>     |                                                                        |      | 25  |     | °C   |

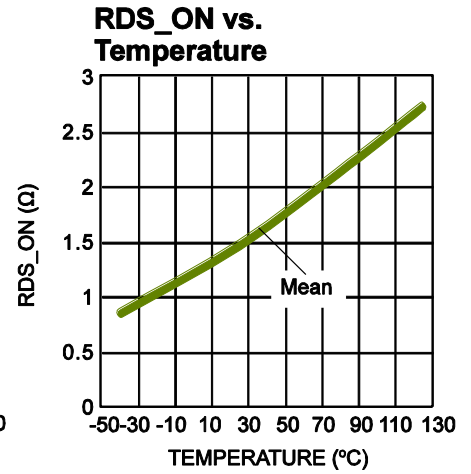
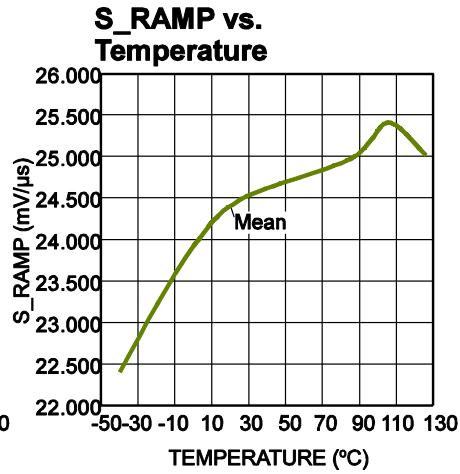
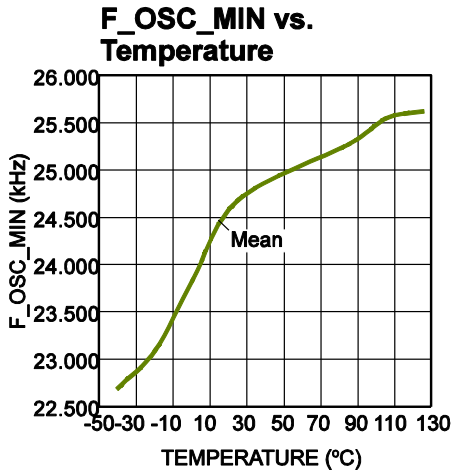
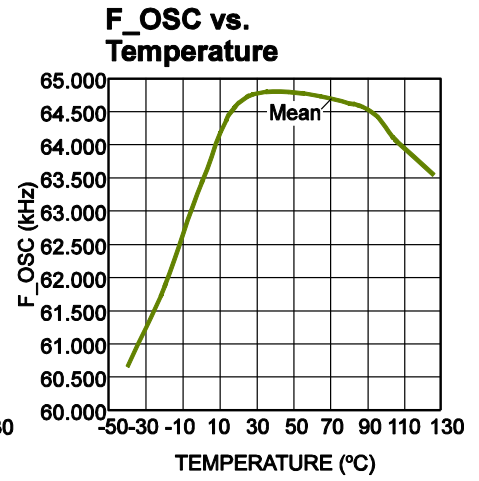
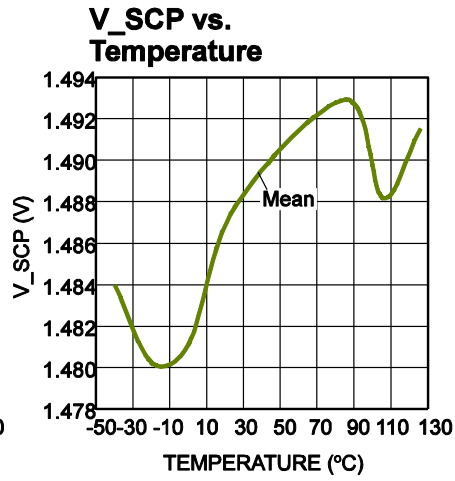
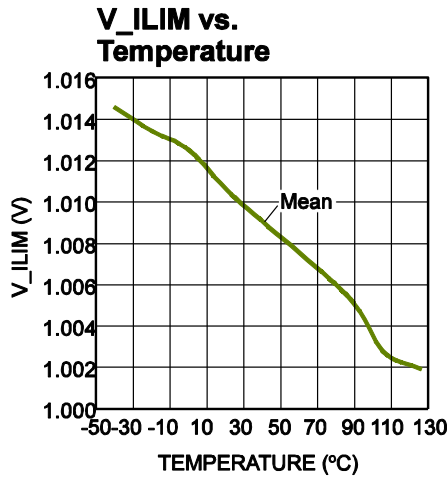
## TYPICAL CHARACTERISTICS



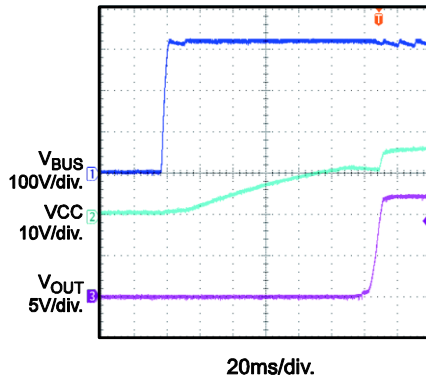
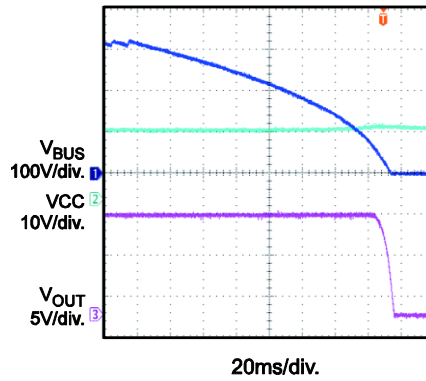
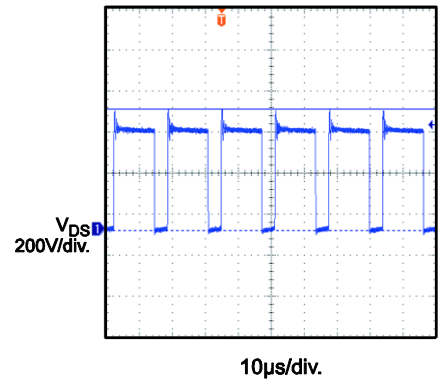
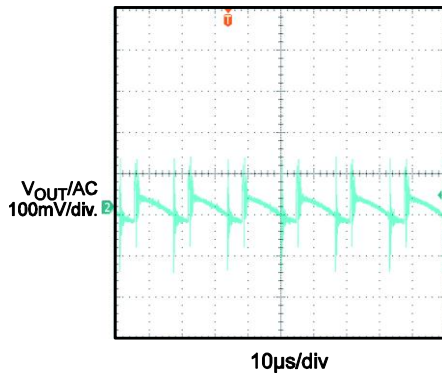
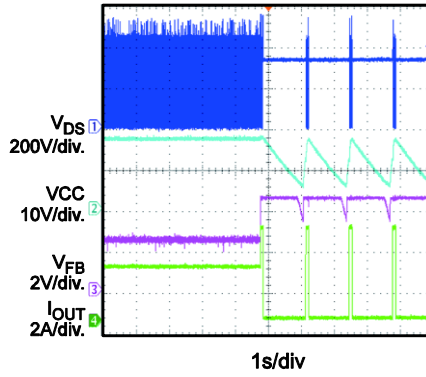


## TYPICAL CHARACTERISTICS (continued)

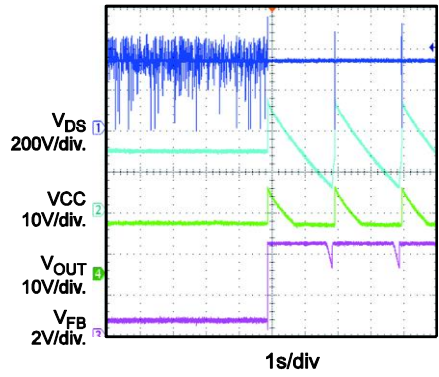
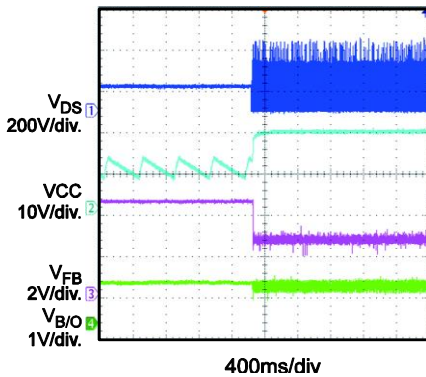
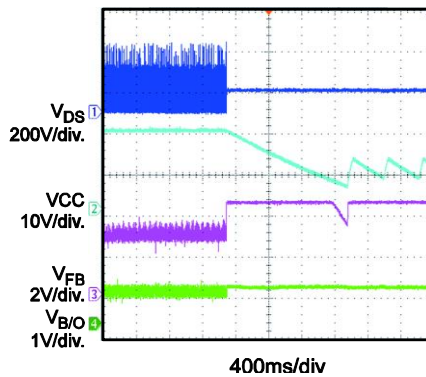
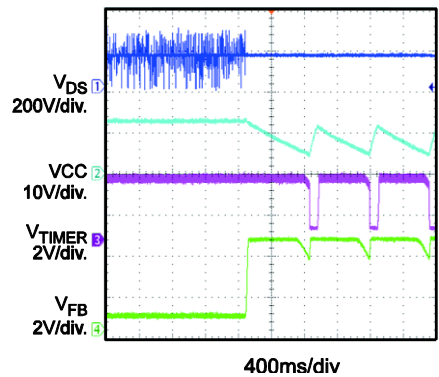


**TYPICAL CHARACTERISTICS (continued)**


**TYPICAL PERFORMANCE CHARACTERISTICS**
 $V_{IN} = 230V_{AC}$ ,  $V_{OUT} = 12V$ ,  $I_{OUT} = 2.5A$ , unless otherwise noted.

**Input Power On**

**Input Power Off**

**Stress**
 $V_{IN} = 285V_{AC}$ 

**Output Ripple**

**OLP Entry**

**OVP Entry**

No Load


**Brown-In**

**Brown-Out**

**OTP Entry**
 $V_{IN} = 115V_{AC}$ , No Load


**PIN FUNCTIONS**

| Pin # | Name   | Description                                                                                                                                                                                                                                                   |
|-------|--------|---------------------------------------------------------------------------------------------------------------------------------------------------------------------------------------------------------------------------------------------------------------|
| 1     | FB     | <b>Feedback.</b> A pull-down optocoupler controls the output regulation.                                                                                                                                                                                      |
| 2     | VCC    | <b>Power supply of the IC.</b> VCC enters over-voltage protection (OVP) if the voltage on VCC rises above $V_{OVP}$ .                                                                                                                                         |
| 4     | DRAIN  | <b>Drain of the internal MOSFET.</b> DRAIN is the input for the start-up, high-voltage current source.                                                                                                                                                        |
| 5     | SOURCE | <b>Source of the internal MOSFET.</b> SOURCE is the input of the primary current-sense signal.                                                                                                                                                                |
| 6     | GND    | <b>Ground.</b>                                                                                                                                                                                                                                                |
| 7     | B/O    | <b>Brown-in/out, input OVP, and over-power compensation (OPC) detection.</b> Brown-in/-out, input OVP, and over-power compensation are achieved by detecting the voltage on B/O. All of the functions are disabled when B/O is pulled higher than $V_{DIS}$ . |
| 8     | TIMER  | <b>Combined soft start, frequency jittering, and timer functions for over-load protection (OLP) and brown-out protection.</b> The IC is latched by pulling TIMER down. TIMER allows for external OVP and over-temperature protection (OTP) detection.         |

**BLOCK DIAGRAM**

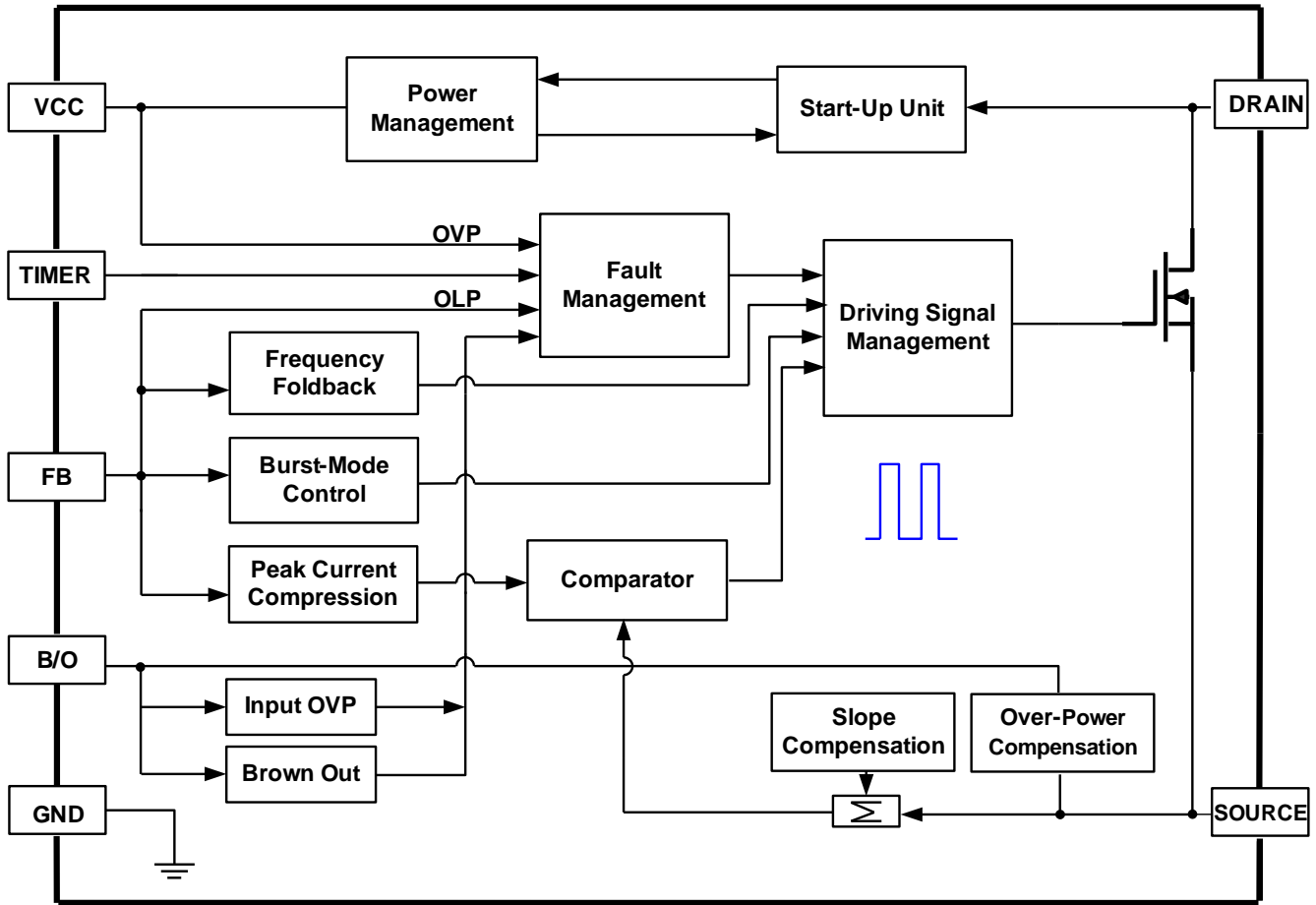


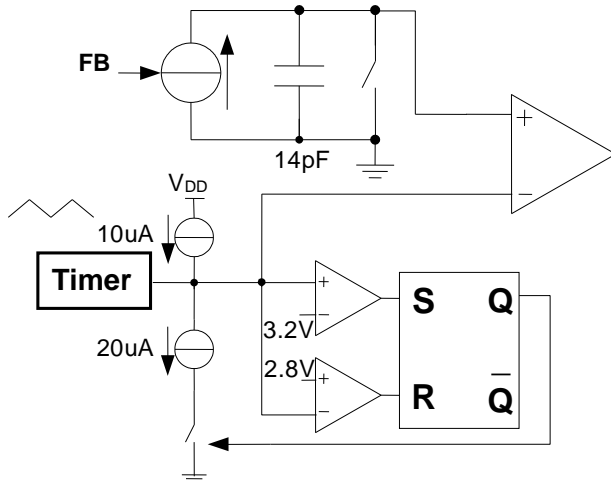
Figure 1: Functional Block Diagram

## OPERATION

The HF500-30 is a fixed-frequency, current-mode regulator with built-in slope compensation that incorporates all of the necessary features to build a reliable switch-mode power supply. In light-load conditions, the HF500-30 freezes the peak current and reduces its switching frequency to 25kHz to minimize switching loss. When the output power falls below a given level, the regulator enters burst mode. The HF500-30 uses frequency jittering to improve electromagnetic interference (EMI) performance.

### Fixed Frequency with Jittering

Frequency jittering reduces EMI by spreading out the energy (see Figure 2).



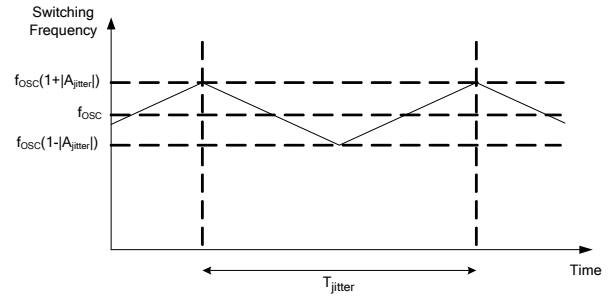
**Figure 2: Frequency Jitter Circuit**

An internal capacitor is charged with a controlled current source, which is fixed when FB is greater than 2V, and its voltage is compared with the TIMER voltage ( $V_{TIMER}$ ).  $V_{TIMER}$  is a triangular wave between 2.8V and 3.2V with a charging/discharging current (see Figure 3). The switching frequency can be calculated using Equation (1):

$$f_s = \frac{1 \cdot 10^6}{5.28 \cdot V_{TIMER} / V + 0.2} \text{ Hz} \quad (1)$$

$T_{jitter}$  can be calculated using Equation (2):

$$T_{jitter} = 8 \cdot C_{TIMER} / \text{nF} \cdot 10^{-5} \text{ s} \quad (2)$$

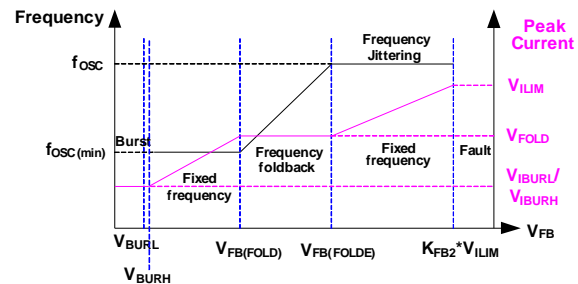


**Figure 3: Frequency Jittering**

### Frequency Foldback

To achieve high efficiency during all load conditions, the HF500-30 implements frequency foldback during light-load conditions.

When the load decreases to a given level, the regulator freezes the  $V_{FOLD}$  peak current and reduces the charging current, dropping its switching frequency down to  $f_{OSC(min)}$  and reducing switching loss. If the load continues to decrease, the peak current decreases with a fixed frequency to avoid audible noise. Figure 4 shows the frequency and peak current vs. FB.



**Figure 4: Frequency and Peak Current vs. FB**

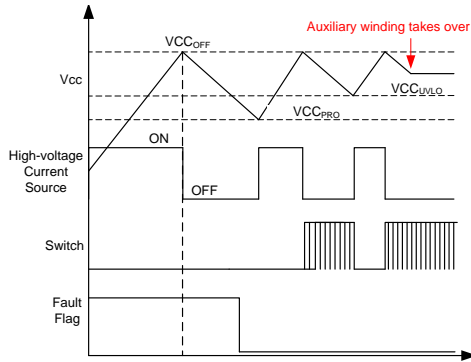
### Current-Mode Operation with Slope Compensation

The primary peak current is controlled by the FB voltage ( $V_{FB}$ ). When the peak current reaches the level determined by FB, the MOSFET turns off. Its internal synchronous slope compensation ( $S_{RAMP}$ ) helps prevent sub-harmonic oscillation when the duty cycle is larger than 50% in continuous conduction mode (CCM). This allows the HF500-30 to work with a wide input voltage range.

### High-Voltage Start-Up Current Source

Initially, the IC is self-supplied by the internal high-voltage current source, which is drawn from DRAIN. The IC turns off the current source once the voltage on VCC reaches VCC<sub>OFF</sub>.

If the voltage on VCC falls below VCC<sub>UVLO</sub>, the switching pulse stops, and the current source turns on again. The auxiliary winding takes over the power supply for the IC when the output voltage rises normally to the set voltage. The lower threshold of VCC is pulled down from VCC<sub>UVLO</sub> to VCC<sub>PRO</sub> when a fault condition occurs, such as overload protection (OLP), short-circuit protection (SCP), brown-out, over-voltage protection (OVP), or over-temperature protection (OTP) (see Figure 5).

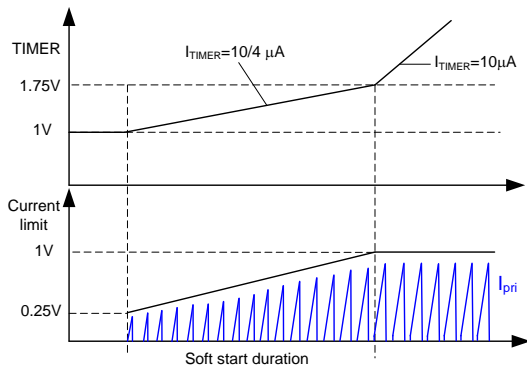


**Figure 5: VCC Power Supply Process**

### Soft Start (SS)

The HF500-30 adopts a soft-start procedure that increases the current limit and switching frequency gradually to reduce the stress on the power components.

During soft start, the TIMER capacitor is charged in two steps slowly. The TIMER voltage controls the current limit and switching frequency (see Figure 6).



**Figure 6: Soft Start**

The start-up duration can be adjusted by the capacitor connected to TIMER. The TIMER capacitor determines the start-up duration, shown in Equation (3):

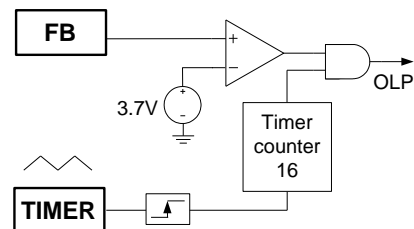
$$T_{\text{Soft-start}} = 0.3 \cdot C_{\text{TIMER}} / \text{nF} \cdot 10^{-3} \text{s} \quad (3)$$

### Burst Operation

The HF500-30 uses burst-mode operation to minimize power dissipation in no-load or light-load conditions. As the load decreases, V<sub>FB</sub> decreases. The HF500-30 stops switching when V<sub>FB</sub> drops below the low threshold (V<sub>BURL</sub>), which indicates a sufficiently high output voltage. Switching resumes once V<sub>FB</sub> rises to the high threshold (V<sub>BURH</sub>), which indicates an insufficient output voltage. This way, the output voltage is regulated. Burst-mode operation enables and disables the switching cycle of the MOSFET alternately, thereby reducing switching loss at no-load or light-load conditions.

### Timer-Based Overload Protection (OLP)

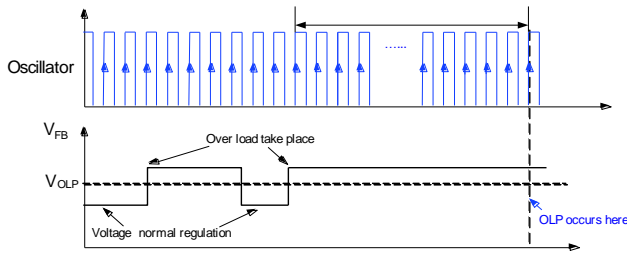
If the switching frequency is fixed in a flyback converter, the maximum output power is limited by the peak current. When the load current is larger than the design value, the output voltage drops below the set value due to the max power limit. The current flowing through the primary and secondary optocoupler is reduced, and V<sub>FB</sub> is pulled high (see Figure 7).



**Figure 7: Overload Protection Block**

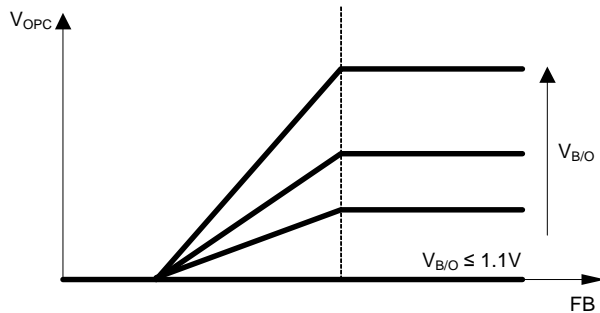
FB rising higher than V<sub>OLP</sub> is considered to be an error flag and causes the timer to start counting the rising edge of the internal oscillator which is controlled by TIMER. When the error flag is removed, the timer resets. When the timer has counted to 16, the device enters OLP. This timer based OLP helps to avoid the OLP miss triggering when the power supply is starting up or during a load transition phase (see Figure 8).




**Figure 8: Overload Protection Function**

### Over-Power Compensation (OPC)

An internal offset proportional to the input voltage is added to the current-sensing voltage. The input voltage ( $V_{IN}$ ) is sampled by B/O through a resistor divider. This helps equalize the peak current within the entire  $V_{IN}$  range by reducing the peak current under high input voltage. This results in an overall constant OLP point, regardless of  $V_{IN}$ . Figure 9 shows the compensation in relation to the voltage on FB and B/O.


**Figure 9: Compensation Voltage vs. FB and B/O**

The max OPC voltage ( $V_{OPC}$ ) can be calculated using Equation (4):

$$V_{OPC} = 0.094 \cdot (V_{B/O} - 1.1V) \quad (4)$$

### Input Brown-In/-Out and Input OVP

Input brown-in/-out and input OVP are performed through B/O detection.

For the brown-in function, the HF500-30 will not work until the B/O voltage is higher than  $V_{B/O\_IN}$ . When the B/O voltage is lower than  $V_{B/O\_OUT}$ , this is considered to be a brown-out flag. If this condition lasts for  $T_{B/O}$ , brown-out is triggered, and the HF500-30 stops operation.

OVP is triggered when the B/O voltage is higher than  $OVP_{B/O}$  for  $T_{OVPB/O}$ , and the HF500-30 stops operation.

If the voltage on B/O is higher than  $V_{DIS}$ , the input brown-out and input OVP functions are disabled.

If the input brown-in/-out, over-power compensation, and input OVP functions are not needed, connect B/O to VCC through a resistor to keep it higher than  $V_{DIS}$  under normal operation.

### Short-Circuit Protection (SCP)

The HF500-30 features SCP, which senses the SOURCE voltage and stops switching if  $V_{SOURCE}$  reaches  $V_{SCP}$  after a short leading-edge blanking time for SCP ( $T_{LEB2}$ ). Once the fault disappears, the power supply resumes operation.

### Over-Temperature Protection (OTP)

When the inner temperature of the HF500-30 exceeds  $T_{OTP}$ , OTP is triggered. Its switching cycle is kept off by the over temperature protection logic, and the VCC lower threshold is pulled down from  $V_{CC\_UVLO}$  to  $V_{CC\_PRO}$ . The HF500-30 resumes operation once the temperature drop exceeds  $T_{OTP(HYS)}$ .

### VCC Over-Voltage Protection (OVP)

The HF500-30 enters an auto-restart fault condition if the VCC voltage rises above  $V_{OVP}$  for  $T_{OVP}$ . Typically, VCC OVP is used for indirect output OVP. This occurs when the optocoupler fails, resulting in the loss of the output voltage regulation.

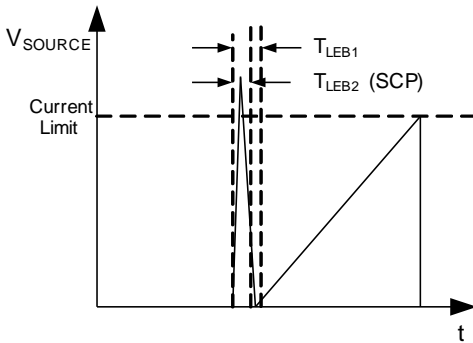
### TIMER Protection

The HF500-30 is latched off by pulling TIMER below  $V_{TIMER(LATCH)}$  for  $T_{LATCH}$ . This allows external OVP, OTP, or other functions to be used on TIMER to set extra protections.



**Leading-Edge Blanking (LEB)**

An internal leading-edge blanking (LEB) unit containing two LEB times is used to prevent premature switching pulse termination due to current spike when MOSFET turn on, which is caused by parasitic capacitance. During the blanking time, the current comparator is disabled and cannot turn off the MOSFET (see Figure 10).



**Figure 10: Leading-Edge Blanking**

## APPLICATION INFORMATION

### VCC Capacitor Selection

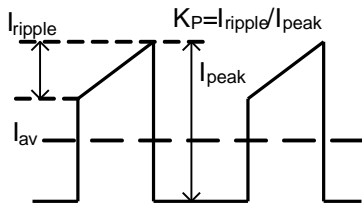
When the input voltage is applied, the VCC capacitor is charged up by the IC internal high-voltage current source. VCC should be held above  $V_{CC_{UVLO}}$  until the output voltage builds up so that VCC is supplied by the auxiliary winding. Otherwise,  $V_{CC_{UVLO}}$  will terminate the switching, and the output voltage cannot be set normally. For most applications, choose a VCC capacitor value between 10 $\mu$ F and 47 $\mu$ F. The value for the VCC capacitor can be estimated with Equation (5):

$$C_{VCC} > \frac{I_{CC} \cdot T_{rise}}{V_{CC_{OFF}} - V_{CC_{UVLO}}} \quad (5)$$

Where  $I_{CC}$  is the internal IC consumption and  $T_{rise}$  is the output voltage rise period.

### Primary-Side Inductor Design (Lm)

The HF500-30 uses internal slope compensation to support CCM and duty cycle exceeding 50% working condition. Use  $K_P$  to indicate the CCM depth, which is the ratio between the primary inductor's ripple current and peak current ( $0 < K_P \leq 1$ , and  $K_P = 1$  stands for discontinuous conduction mode (DCM)) (see Figure 11). An optimal  $K_P$  value is between 0.6 and 0.8 for the universal input range, and CrCM or DCM for the 230V<sub>AC</sub> input range. A large inductance leads to a smaller  $K_P$ , which reduces the RMS current but increases the transformer size.



**Figure 11: Typical Primary Current Waveform**

The input power ( $P_{in}$ ) at the minimum input can be estimated with Equation (6):

$$P_{in} = \frac{V_O \cdot I_O}{\eta} \quad (6)$$

Where  $V_O$  is the output voltage,  $I_O$  is the rated output current, and  $\eta$  is the estimated efficiency.  $\eta$  is typically between 0.75 and 0.85, depending on the input range and output voltage.

For CCM at minimum input voltage, calculate the converter duty cycle with Equation (7):

$$D = \frac{(V_O + V_F) \cdot N}{(V_O + V_F) \cdot N + V_{in(min)}} \quad (7)$$

Where  $V_F$  is the secondary diode's forward voltage,  $N$  is the transformer turns ratio, and  $V_{in(min)}$  is the minimum voltage on the bulk capacitor.

The MOSFET on time is calculated with Equation (8):

$$T_{on} = D \cdot T_s \quad (8)$$

Where  $T_s$  is the switching cycle period, and  $T_s$  is  $1/f_{osc}$ .

The average value of the primary current can be calculated with Equation (9):

$$I_{av} = \frac{P_{in}}{V_{in(min)}} \quad (9)$$

The peak value of the primary current can be calculated with Equation (10):

$$I_{peak} = \frac{I_{av}}{\left(1 - \frac{K_P}{2}\right) \cdot D} \quad (10)$$

The ripple value of the primary current can be calculated with Equation (11):

$$I_{ripple} = K_P \cdot I_{peak} \quad (11)$$

The valley value of the primary current can be calculated with Equation (12):

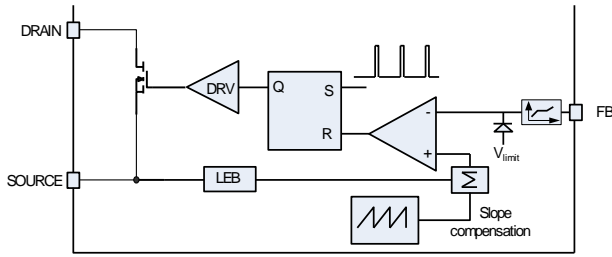
$$I_{valley} = (1 - K_P) \cdot I_{peak} \quad (12)$$

$L_m$  can be calculated with Equation (13):

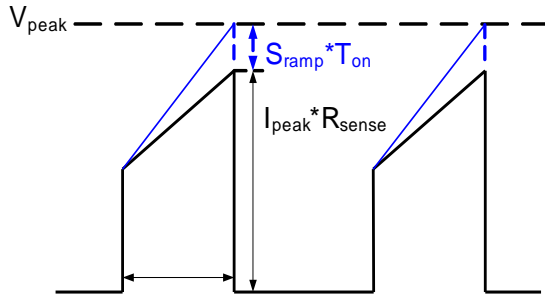
$$L_m = \frac{V_{in(min)} \cdot T_{on}}{I_{ripple}} \quad (13)$$

### Current-Sense Resistor

Figure 12 shows the peak current comparator logic and the subsequent waveform. When the sum of the sensing resistor voltage and the slope compensator reaches  $V_{limit}$ , the comparator goes high to reset the RS flip-flop, and the MOSFET turns off.



A). Peak Current Comparator Circuit



B). Typical Waveform

Figure 12: Peak Current Comparator

The maximum current limit is  $V_{ILIM}$ . The ramp of the slope compensator is  $S_{RAMP}$ . Given a certain margin, use  $0.95 \times V_{ILIM}$  as  $V_{peak}$  at full load. Calculate the voltage on the sensing resistor with Equation (14):

$$V_{sense} = 95\% \cdot V_{ILIM} - S_{RAMP} \cdot T_{on} \quad (14)$$

The value of the sense resistor is then calculated with Equation (15):

$$R_{sense} = \frac{V_{sense}}{I_{peak}} \quad (15)$$

Select a current-sense resistor with an appropriate power rating. Estimate the sense resistor power loss with Equation (16):

$$P = \left[ \left( \frac{I_{peak} + I_{valley}}{2} \right)^2 + \frac{1}{12} (I_{peak} - I_{valley})^2 \right] \cdot D \cdot R_{sense} \quad (16)$$

### Jitter Period

Frequency jitter is used as an effective method for reducing EMI by dissipating energy. The  $n$ th order harmonic noise bandwidth is  $B_{Tn} = n \cdot (2 \cdot \Delta f + f_{jitter})$ , where  $\Delta f$  is the frequency jitter amplitude. If  $B_{Tn}$  exceeds the resolution bandwidth ( $R_{BW}$ ) of the spectrum analyzer (200Hz for noise frequency less than 150 kHz, 9kHz for noise frequency between 150kHz and 30MHz), the spectrum analyzer receives less noise energy.

Equation (2) describes the jitter period in theory. A smaller  $f_{jitter}$  is more effective for EMI reduction. However, the measurement bandwidth requires  $f_{jitter}$  to be large compared to the spectrum analyzer  $R_{BW}$  for effective EMI reduction.  $f_{jitter}$  should also be less than the control loop gain crossover frequency to avoid disturbing the output voltage regulation.

The TIMER capacitor must be selected carefully. A capacitor that is too large may cause the start-up to fail at full load because of the long, soft start-up duration, shown in Equation (3). However, a TIMER capacitor that is too small causes the timer period to decrease, which overloads the timer count capability and may cause logic problems. For most applications, a  $f_{jitter}$  between 200Hz and 400Hz is recommended.

### Ramp Compensation

In peak current control, sub-harmonic oscillation occurs when  $D$  is greater than 0.5 in CCM. The HF500-30 solves this problem with internal ramp compensation. Calculate  $\alpha$  with Equation (17):

$$\alpha = \frac{D_{max} \cdot V_{in(min)} \cdot R_{sense} - m_a}{(1 - D_{max}) \cdot L_m \cdot \frac{V_{in(min)}}{L_m} + m_a} \quad (17)$$

Where  $m_a = 18mV/\mu s$  is the minimum internal slope value of the compensation ramp.  $\frac{V_{in(min)}}{L_m}$

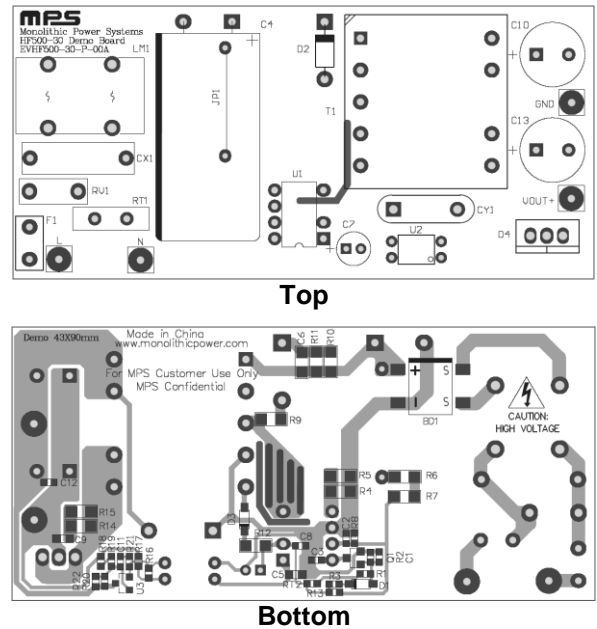
and  $\frac{D_{max} \cdot V_{in(min)}}{(1 - D_{max}) \cdot L_m}$  are the current slew rates of

primary side and secondary side converted to the primary side, respectively. For stable operation,  $\alpha$  must be less than 1.

### PCB Layout Guidelines

Efficient PCB layout is critical for stable operation, good EMI performance, and good thermal performance. For best results refer to Figure 13 and follow the guidelines below.

1. Minimize the loop area formed by the input capacitor, the transformer's primary winding, the MOSFET DRAIN and SOURCE of the HF500-30, and the sensing resistor to reduce EMI noise.
2. Minimize the voltage jumping area, such as the MOSFET drain, the anode of the secondary diode, etc. for better EMI. *DRAIN of the HF500-30 is a fused lead pin, which helps with thermal radiation when copper is connected to it. Make a trade-off between EMI and thermal performance if necessary.*
3. Minimize the snubber circuit loop to reduce EMI.
4. Minimize the secondary loop area of the output diode and output filter to reduce EMI noise.
5. Provide sufficient copper areas at the cathode terminal of the output diode to act as a heat sink.
6. Place the AC input far away from the switching nodes to minimize any noise coupling that may bypass the input filter.
7. Place the bypass capacitor as close to the IC as possible.
8. Use a single-point connection at the negative terminal of the input filter capacitor for the IC GND and bias winding return.



**Figure 13: Recommended PCB Layout**

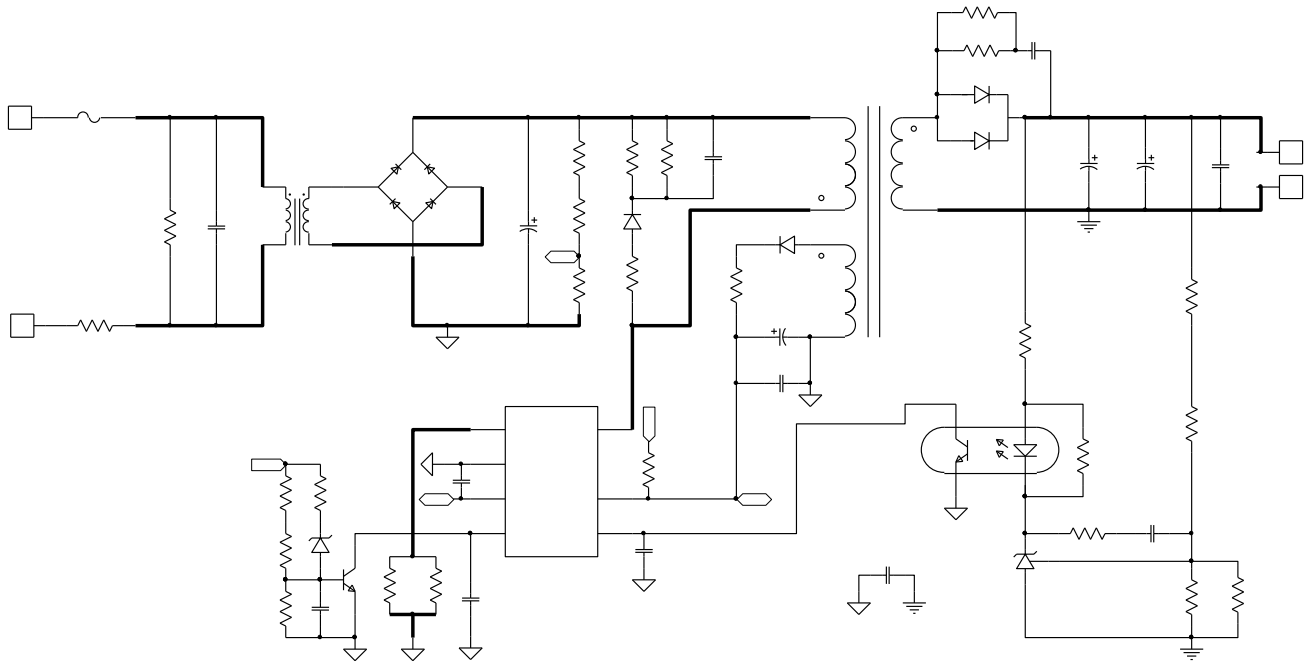
### Design Example

Table 1 below is a design example of the HF500-30 for power adapter applications.

**Table 1: Design Specification**

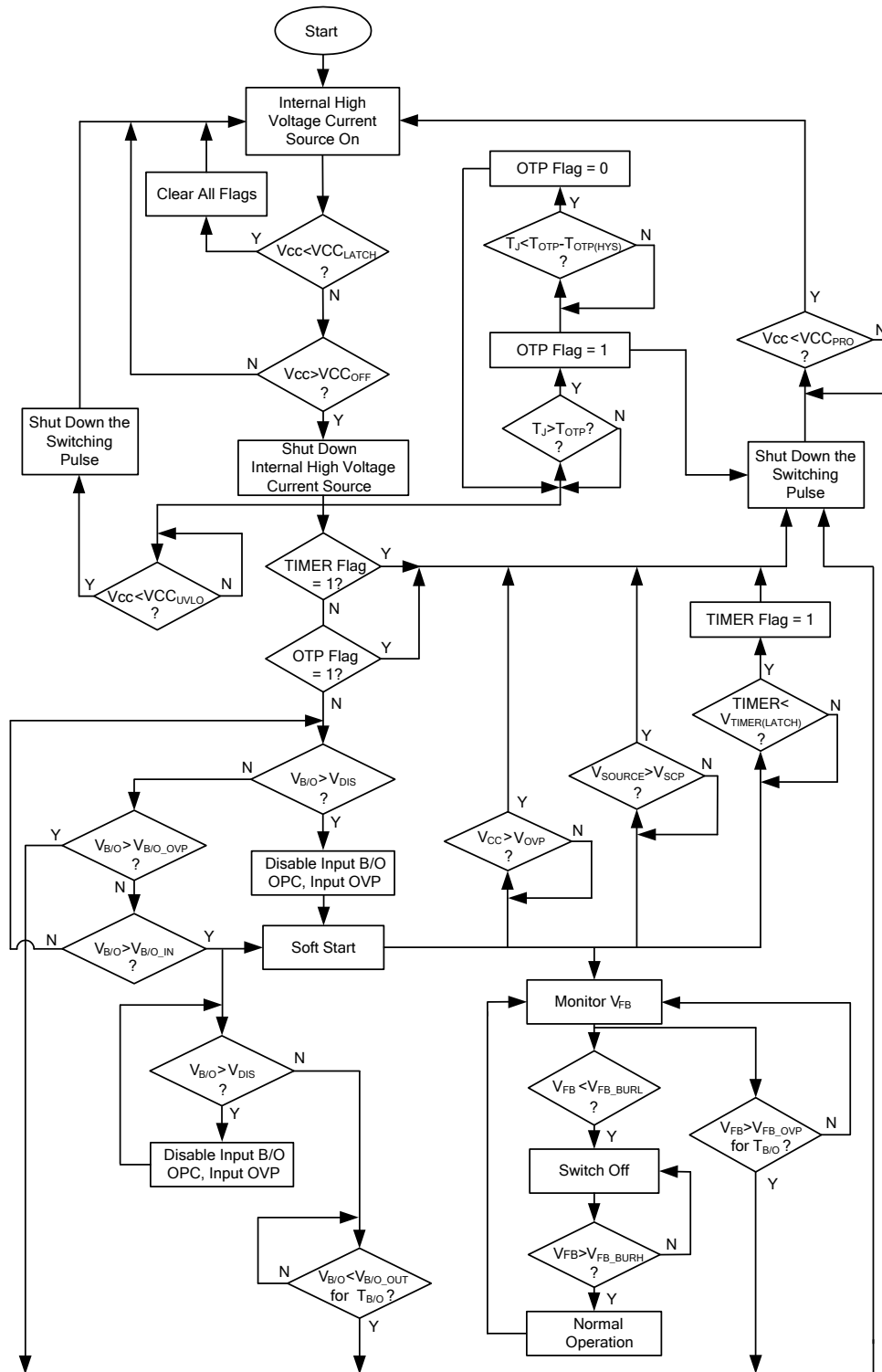
|           |                          |
|-----------|--------------------------|
| $V_{IN}$  | 85 to 265V <sub>AC</sub> |
| $V_{OUT}$ | 12V                      |
| $I_{OUT}$ | 2.5A                     |

**TYPICAL APPLICATION CIRCUIT**



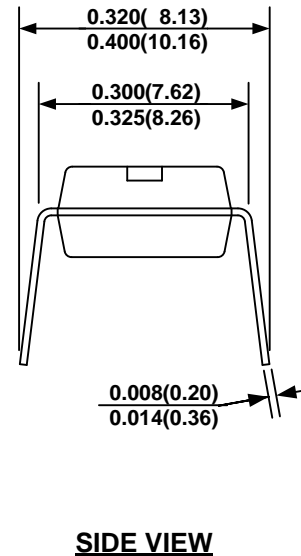
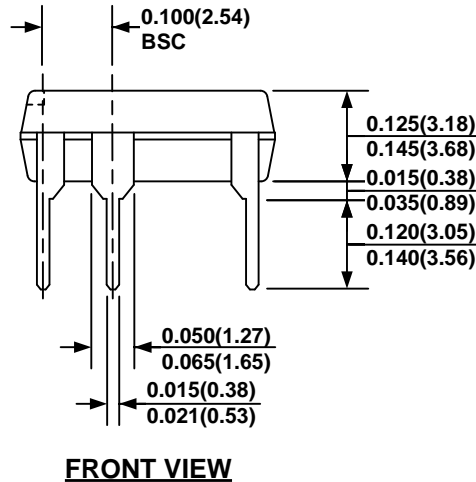
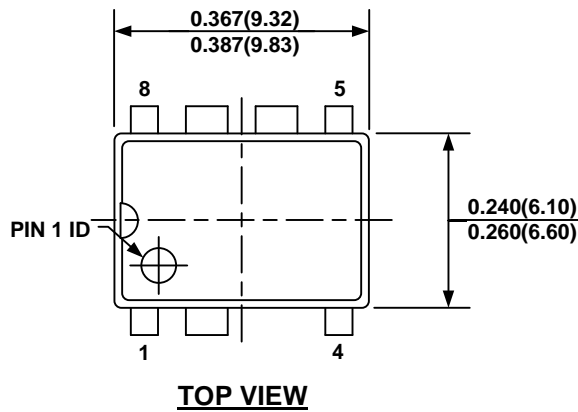
**Figure 14: Example of a Typical Application**

FLOW CHART



VCC UVLO, brown-out, VCC OVP, OLP and OTP are auto restart, only TIMER is latch off mode. VCC should drop to VCC<sub>LATCH</sub> to release from the latch condition, usually by disconnecting the input.

Figure 15: Flow Chart

**PACKAGE INFORMATION**
**PDIP8-7B**

**NOTE:**

- 1) CONTROL DIMENSION IS IN INCHES. DIMENSION IN BRACKET IS IN MILLIMETERS.
- 2) PACKAGE LENGTH AND WIDTH DO NOT INCLUDE MOLD FLASH, OR PROTRUSIONS.
- 3) JEDEC REFERENCE IS MS-001.
- 4) DRAWING IS NOT TO SCALE.

**NOTICE:** The information in this document is subject to change without notice. Please contact MPS for current specifications. Users should warrant and guarantee that third party Intellectual Property rights are not infringed upon when integrating MPS products into any application. MPS will not assume any legal responsibility for any said applications.

## Данный компонент на территории Российской Федерации

### Вы можете приобрести в компании MosChip.

Для оперативного оформления запроса Вам необходимо перейти по данной ссылке:

<http://moschip.ru/get-element>

Вы можете разместить у нас заказ для любого Вашего проекта, будь то серийное производство или разработка единичного прибора.

В нашем ассортименте представлены ведущие мировые производители активных и пассивных электронных компонентов.

Нашей специализацией является поставка электронной компонентной базы двойного назначения, продукции таких производителей как XILINX, Intel (ex.ALTERA), Vicor, Microchip, Texas Instruments, Analog Devices, Mini-Circuits, Amphenol, Glenair.

Сотрудничество с глобальными дистрибьюторами электронных компонентов, предоставляет возможность заказывать и получать с международных складов практически любой перечень компонентов в оптимальные для Вас сроки.

На всех этапах разработки и производства наши партнеры могут получить квалифицированную поддержку опытных инженеров.

Система менеджмента качества компании отвечает требованиям в соответствии с ГОСТ Р ИСО 9001, ГОСТ РВ 0015-002 и ЭС РД 009

### Офис по работе с юридическими лицами:

105318, г.Москва, ул.Щербаковская д.3, офис 1107, 1118, ДЦ «Щербаковский»

Телефон: +7 495 668-12-70 (многоканальный)

Факс: +7 495 668-12-70 (доб.304)

E-mail: [info@moschip.ru](mailto:info@moschip.ru)

Skype отдела продаж:

moschip.ru

moschip.ru\_4

moschip.ru\_6

moschip.ru\_9