

- Open frame 100 W power supply with JST connection in 2.0" x 3.0" package
- Certification according to IEC/EN/ES 60601-1 3rd edition for 2 x MOPP
- Low leakage current <75 µA rated for BF applications
- Risk management process according to ISO 14971 incl. risk management file
- Acceptance criteria for electronic assemblies acc. to IPC-A-610 Level 3
- Active power factor correction >0.95
- Protection class I and II prepared
- Operating up to 5000 m altitude
- Ready to meet ErP directive, <0.3 W no load power consumption
- 5-year product warranty



ES 60601-1 IEC 60601-1
UL 60950-1 IEC 60950-1

The TPP 100A-J series of 100 Watt AC/DC open frame power supplies feature a reinforced double I/O isolation system according to latest medical safety standards (60601-1 3rd edition, 2 x MOPP). The earth leakage current is below 75 µA which makes the units suitable for BF (body floating) applications. The excellent efficiency of up to 92% allows a high power density for the standard 2.0" x 3.0" packaging format. The full load operating temperature range is -25°C to +55°C while it goes up to 80°C with 50% load derating. The EMC characteristic is dedicated for applications in industrial and medical fields. High reliability is provided by the use of industrial quality grade components and an excellent thermal management. It makes the products an ideal solution for medical devices and for demanding safety and space critical applications.

Models

| Order Code | Output Power max. | Output Voltage nom. (adjustable) | Output Current max. | Efficiency typ. |
|----------------|-------------------|----------------------------------|---------------------|-----------------|
| TPP 100-112A-J | 100 W | 12 VDC (10.8 - 13.2 VDC) | 8'340 mA | 91 % |
| TPP 100-115A-J | | 15 VDC (13.5 - 16.5 VDC) | 6'670 mA | 92 % |
| TPP 100-124A-J | | 24 VDC (21.6 - 26.4 VDC) | 4'170 mA | 92 % |
| TPP 100-128A-J | | 28 VDC (25.2 - 30.8 VDC) | 3'580 mA | 92 % |
| TPP 100-136A-J | | 36 VDC (32.4 - 39.6 VDC) | 2'780 mA | 91 % |
| TPP 100-148A-J | | 48 VDC (43.2 - 52.8 VDC) | 2'090 mA | 91 % |

Input Specifications

| | | |
|----------------------|-----------------------------|--|
| Input Voltage | - AC Range | 85 - 264 VAC (Full Range) |
| | - DC Range | 120 - 370 VDC (Designed for, no certification) |
| Input Frequency | | 47 - 63 Hz |
| Input Current | - Full Load & Vin = 230 VAC | 550 mA max. |
| | - Full Load & Vin = 115 VAC | 1'150 mA max. |
| Power Consumption | - at no Load | 300 mW max. (Ready to meet ErP directive) |
| Input Inrush Current | - at 230 VAC | 60 A max. |
| Power Factor | - at 230 VAC | 0.95 min. (Active Power Factor Correction) |
| | - at 115 VAC | 0.95 min. (Active Power Factor Correction) |
| Input Protection | | T 3.15 A / 250 VAC (Internal Fuse in L & N) |

Output Specifications

| | | |
|--|---------------------------------|---|
| Output Voltage Adjustment | | ±10% (By trim potentiometer) Output power must not exceed rated power! |
| Voltage Set Accuracy | | ±1% max. |
| Regulation | - Input Variation (Vmin - Vmax) | 0.2% max. |
| | - Load Variation (0 - 100%) | 0.5% max. |
| Ripple and Noise (20 MHz Bandwidth) | 12 VDC model: | 120 mVp-p typ. (with 10 µF X7R) |
| | 15 VDC model: | 150 mVp-p typ. (with 10 µF X7R) |
| | 24 VDC model: | 160 mVp-p typ. (with 1 µF X7R) |
| | 28 VDC model: | 180 mVp-p typ. (with 1 µF X7R) |
| | 36 VDC model: | 190 mVp-p typ. (with 1 µF X7R) |
| | 48 VDC model: | 340 mVp-p typ. (with 0.1 µF X7R) |
| Capacitive Load | 12 VDC model: | 6'950 µF max. |
| | 15 VDC model: | 4'450 µF max. |
| | 24 VDC model: | 1'750 µF max. |
| | 28 VDC model: | 1'280 µF max. |
| | 36 VDC model: | 770 µF max. |
| | 48 VDC model: | 430 µF max. |
| Minimum Load | | Not required |
| Temperature Coefficient | | ±0.02 %/K max. |
| Hold-up Time | - at 230 VAC | 16 ms min. |
| | - at 115 VAC | 16 ms min. |
| Start-up Time | - at 230 VAC | 1'000 ms max. |
| | - at 115 VAC | 1'000 ms max. |
| Short Circuit Protection | | Continuous, Automatic recovery |
| Output Current Limitation | | 115 - 150% of Iout max. |
| Overvoltage Protection | | 115 - 135% of Vout nom. |
| Transient Response | - Response Deviation | 3% max. (50% to 75% Load Step) |
| | - Response Time | 500 µs typ. (50% to 75% Load Step) |

Safety Specifications

| | | |
|-----------------------|-----------------------------|--|
| Safety Standards | - IT / Multimedia Equipment | IEC 60950-1 EN 60950-1 UL 60950-1 |
| | - Medical Equipment | EN 60601-1 IEC 60601-1 ANSI/AAMI ES 60601-1 2 x MOPP (Means Of Patient Protection) |
| | - Certification Documents | www.tracopower.com/overview/tpp100a-j |
| Protection Class | | Class I Prepared: Connection to PE Class II Prepared: Reinforced Insulation |
| Pollution Degree | | PD 2 |
| Over Voltage Category | | OVC II |

All specifications valid at nominal input voltage, full load and +25°C after warm-up time unless otherwise stated.

EMC Specifications

| | | |
|----------------------------------|------------------|--|
| EMC Emissions | | EN 60601-1-2 edition 4 (Medical Devices) |
| - Conducted Emissions | | EN 55011 class B (internal filter) EN 55032 class B (internal filter) FCC Part 15, class B FCC Part 18, class B |
| - Radiated Emissions | | EN 55011 class A (internal filter) EN 55032 class A (internal filter) FCC Part 15, class A FCC Part 18, class A |
| - Harmonic Current Emissions | | EN 61000-3-2, class A EN 61000-3-2, class D |
| - Voltage Fluctuations & Flicker | | EN 61000-3-3 |
| EMC Immunity | | EN 55024 (IT Equipment) |
| - Electrostatic Discharge | | EN 60601-1-2 edition 4 (Medical Devices) |
| | Air: | EN 61000-4-2, ± 15 kV, perf. criteria A |
| | Contact: | EN 61000-4-2, ± 8 kV, perf. criteria A EN 61000-4-3, 20 V/m, perf. criteria A EN 61000-4-4, ± 2 kV, perf. criteria A |
| - RF Electromagnetic Field | L to L: | EN 61000-4-5, ± 1 kV, perf. criteria A |
| - EFT (Burst) | L to PE: | EN 61000-4-5, ± 2 kV, perf. criteria A |
| - Surge | | EN 61000-4-6, 20 Vrms, perf. criteria A EN 61000-4-8, 10 A/m, perf. criteria A |
| - Conducted RF Disturbances | 230 VAC / 50 Hz: | EN 61000-4-11 30%, 25 periods, perf. criteria A >95%, 0.5 periods, perf. criteria A >95%, 1 period, perf. criteria A >95%, 250 periods, perf. criteria B |
| - PF Magnetic Field | 115 VAC / 60 Hz: | EN 61000-4-11 30%, 25 periods, perf. criteria A >95%, 0.5 periods, perf. criteria A >95%, 1 period, perf. criteria A >95%, 250 periods, perf. criteria B |
| - Voltage Dips & Interruptions | | |

General Specifications

| | | |
|----------------------------------|------------------------------|--|
| Relative Humidity | | 95% max. (non condensing) |
| Temperature Ranges | - Operating Temperature | -25°C to +85°C |
| | - Storage Temperature | -40°C to +85°C |
| Power Derating | - High Temperature | 2 %/K above 55°C |
| | - Low Input Voltage | 1.33 %/V below 100 VAC |
| Cooling System | | Natural convection (20 LFM) |
| Altitude During Operation | | 5'000 m max. |
| Switching Frequency | | 45 - 75 kHz (PWM QR) |
| Insulation System | | Reinforced Insulation |
| Working Voltage (rated) | | 250 VAC |
| Isolation Test Voltage | - Input to Output, 60 s | 5'657 VDC |
| | - Input to Case or PE, 60 s | 2'121 VDC |
| | - Output to Case or PE, 60 s | 2'121 VDC |
| Isolation Resistance | - Input to Output, 500 VDC | 100 MOhm min. |
| Leakage Current (264 VAC) | - Touch Current | 75 μ A max. |
| Reliability | - Calculated MTBF | 790'000 h (MIL-HDBK-217F, ground benign) |
| Environment | - Vibration | IEC 60068-2-6 |
| | - Mechanical Shock | IEC 60068-2-27 |
| Connection Type | | JST |
| Weight | | 156 g |

All specifications valid at nominal input voltage, full load and +25°C after warm-up time unless otherwise stated.

Environmental Compliance - Reach
- RoHS

www.tracopower.com/info/reach-declaration.pdf
www.tracopower.com/info/rohs-declaration.pdf

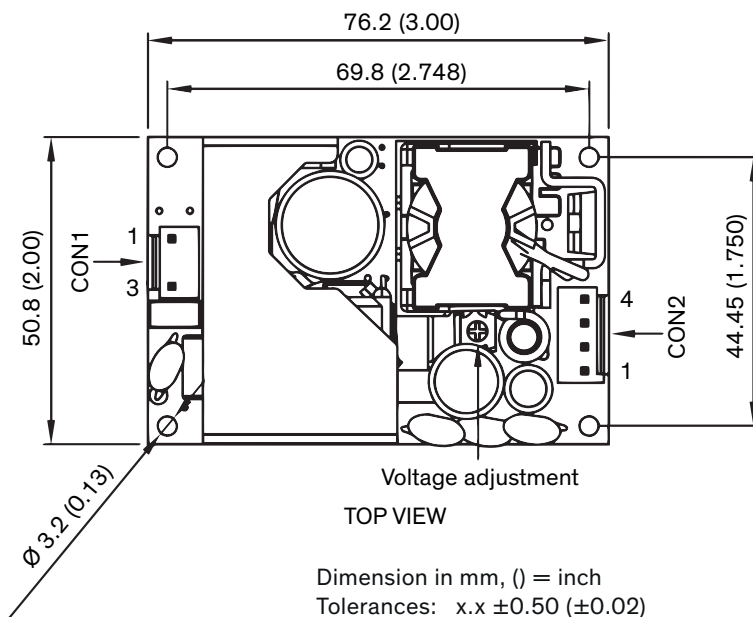
Supporting Documents

[Overview Link](#) (for additional Documents)

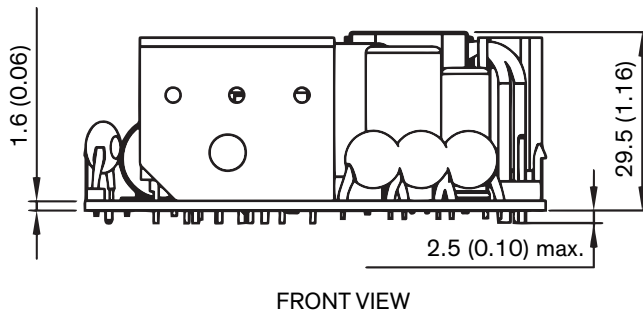
www.tracopower.com/overview/tp100a-j

Outline Dimensions

Each one of the 4 screw holes can be used as a PE connection for CLASS I application.



Dimension in mm, () = inch
Tolerances: x.x ±0.50 (±0.02)
x.xx ±0.25 (±0.01)



Pin connectors

| Input (CON1) | | Output (CON2) | |
|--------------|----------|---------------|----------|
| Pin | Function | Pin* | Function |
| 1 | Line | 1,2 | -Vout |
| 3 | Neutral | 3,4 | +Vout |

*Terminal rated for 7 A max.
(at higher current connection has to be split)

CON1: JST series
mates with JST crimp terminal: SVH-21T-P1.1
and terminal housing: VHR-3N

CON2: JST series
mates with JST crimp terminal: SVH-21T-P1.1
and terminal housing: VHR-4N

Данный компонент на территории Российской Федерации

Вы можете приобрести в компании MosChip.

Для оперативного оформления запроса Вам необходимо перейти по данной ссылке:

<http://moschip.ru/get-element>

Вы можете разместить у нас заказ для любого Вашего проекта, будь то серийное производство или разработка единичного прибора.

В нашем ассортименте представлены ведущие мировые производители активных и пассивных электронных компонентов.

Нашей специализацией является поставка электронной компонентной базы двойного назначения, продукции таких производителей как XILINX, Intel (ex.ALTERA), Vicor, Microchip, Texas Instruments, Analog Devices, Mini-Circuits, Amphenol, Glenair.

Сотрудничество с глобальными дистрибьюторами электронных компонентов, предоставляет возможность заказывать и получать с международных складов практически любой перечень компонентов в оптимальные для Вас сроки.

На всех этапах разработки и производства наши партнеры могут получить квалифицированную поддержку опытных инженеров.

Система менеджмента качества компании отвечает требованиям в соответствии с ГОСТ Р ИСО 9001, ГОСТ РВ 0015-002 и ЭС РД 009

Офис по работе с юридическими лицами:

105318, г.Москва, ул.Щербаковская д.3, офис 1107, 1118, ДЦ «Щербаковский»

Телефон: +7 495 668-12-70 (многоканальный)

Факс: +7 495 668-12-70 (доб.304)

E-mail: info@moschip.ru

Skype отдела продаж:

moschip.ru

moschip.ru_4

moschip.ru_6

moschip.ru_9