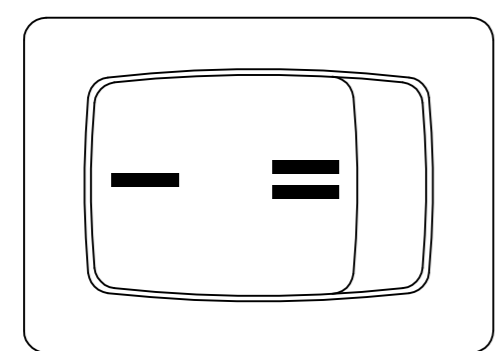
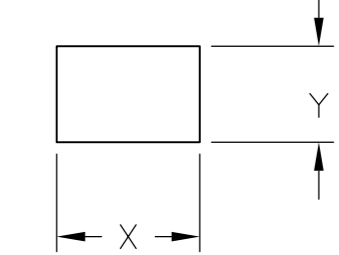


THIS DRAWING IS UNPUBLISHED. RELEASED FOR PUBLICATION. ALL RIGHTS RESERVED. COPYRIGHT - By -

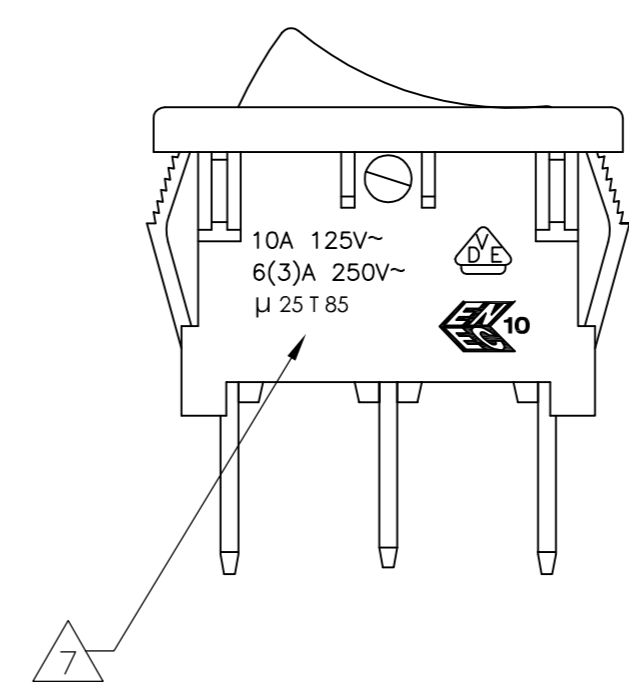
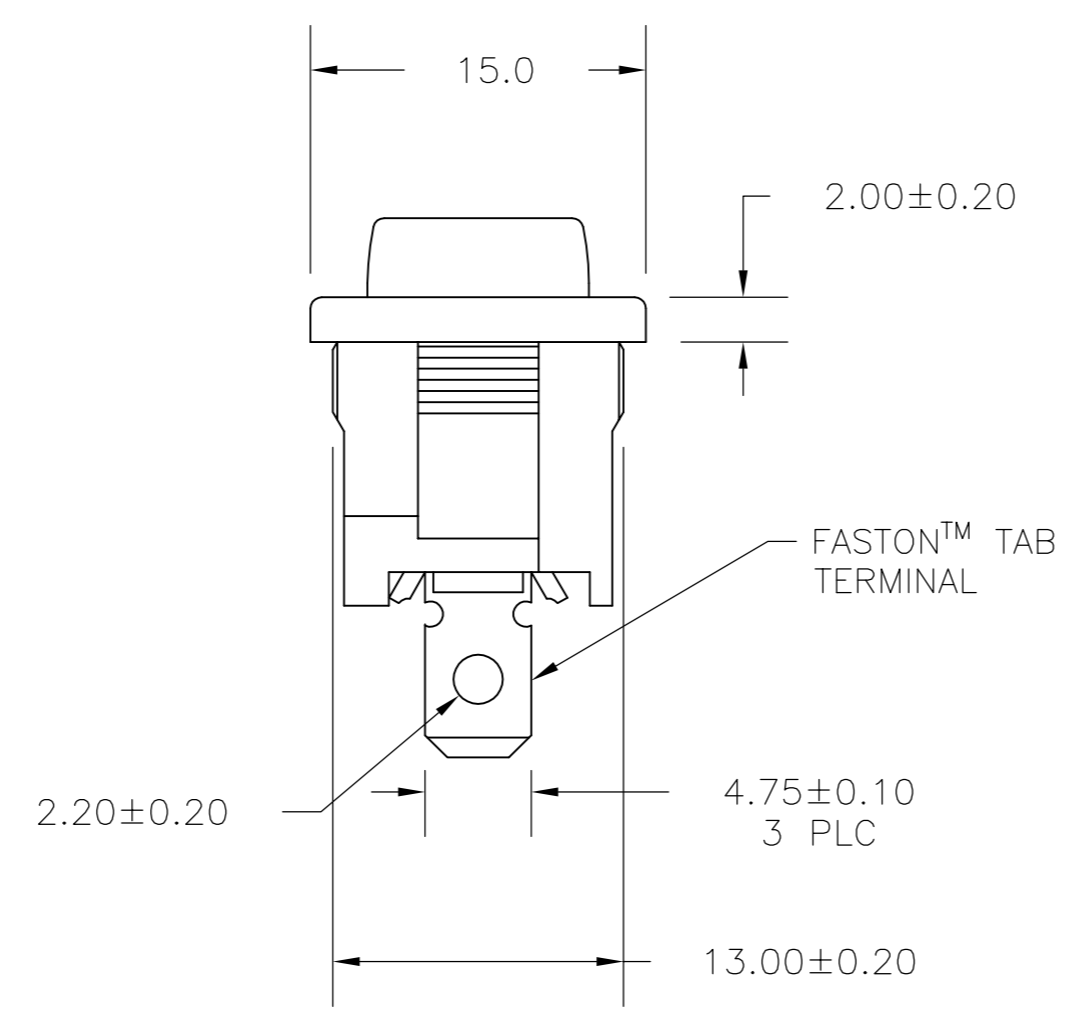
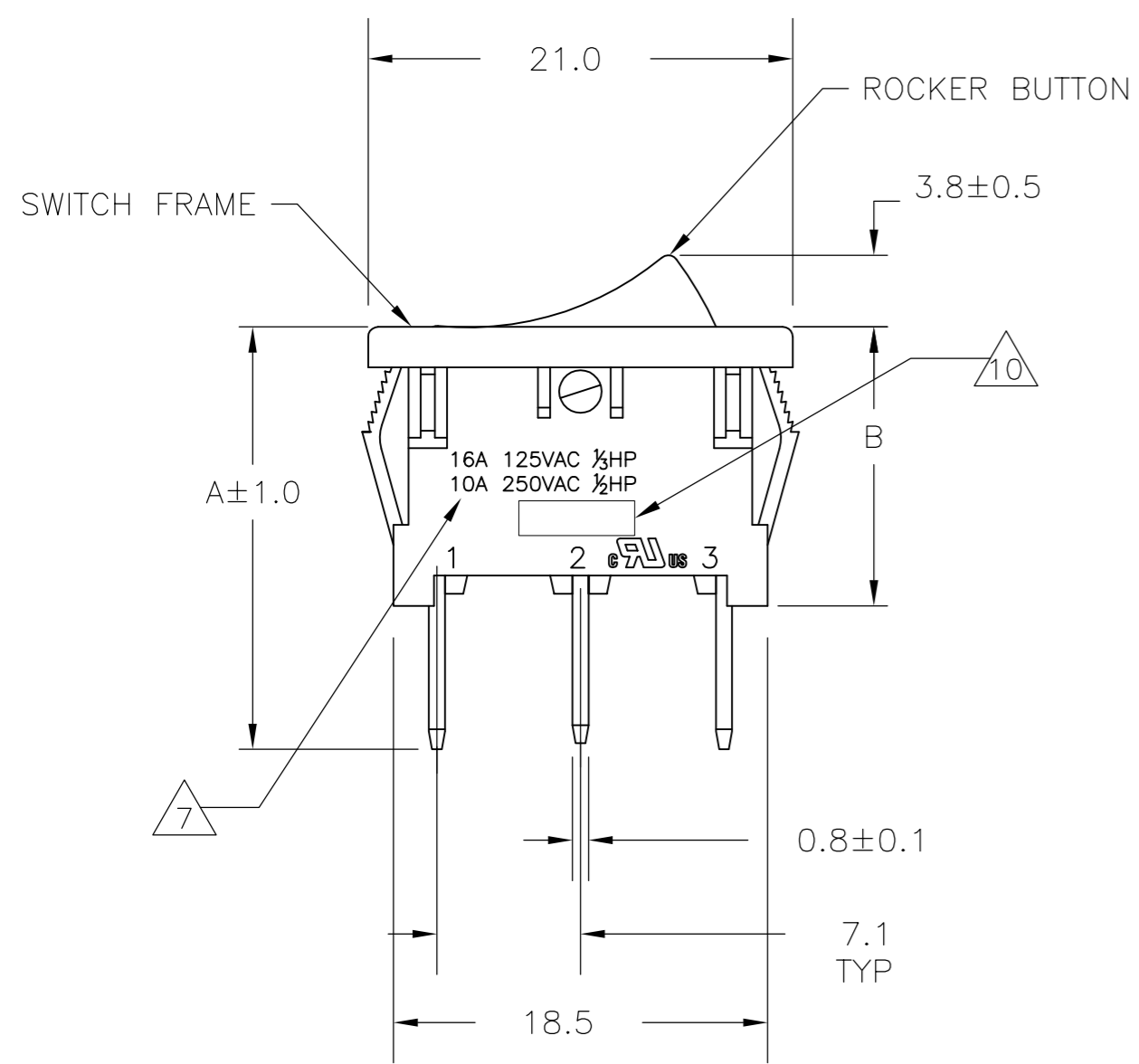
REVISIONS					
P	LTR	DESCRIPTION	DATE	DWN	APVD
	L1	REVISED PER ECO-11-004820	11MAR11	RK	HMR
	L2	REVISED PER ECO-16-017354	03MAR2017	RK	AS



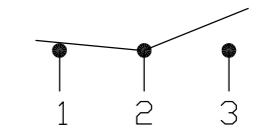
PANEL CUT OUT



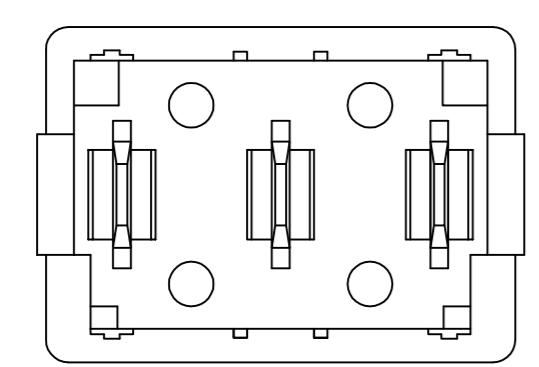
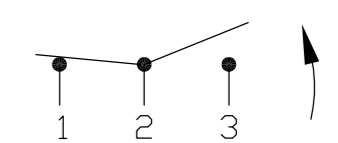
2.00-3.00	19.8-0.1	13.0+0.1
1.25-2.00	19.4-0.1	13.0+0.1
0.75-1.25	19.2-0.1	13.0+0.1
PANEL THICKNESS	X	Y



SWITCH FUNCTION D1
CIRCUIT DIAGRAM



SWITCH FUNCTION D2
CIRCUIT DIAGRAM



OBSOLETE—1571079-5—SHOWN
(TWO ROCKER BUTTON POSITIONS)

THIS DRAWING IS A CONTROLLED DOCUMENT.		DWN M.BINNER 25FEB2002		
DIMENSIONS: mm		CHK J.MOSIER		
TOLERANCES UNLESS OTHERWISE SPECIFIED:		APVD	POWER ROCKER SWITCH 13.0mmX19.2mm PANEL SIZE SPDT, 3 TERMINALS, NON-ILLUMINATED	
0 PLC ± -	1 PLC ± 0.30	PRODUCT SPEC	NOT APPLICABLE	
2 PLC ± 0.05	3 PLC ± -	APPLICATION SPEC	NOT APPLICABLE	
4 PLC ± -	ANGLES ± -	SIZE	A2	RESTRICTED TO
FINISH	1	WEIGHT	0	
MATERIAL		CAGE CODE	00779	
DRAWING NO		DRAWING NO	1571079	
CUSTOMER DRAWING		SCALE	3:1	SHEET 1 of 3
		REV	L2	

4

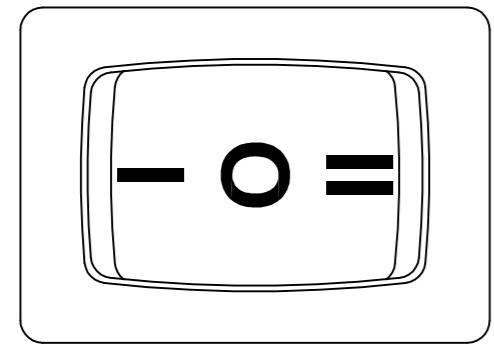
3

2

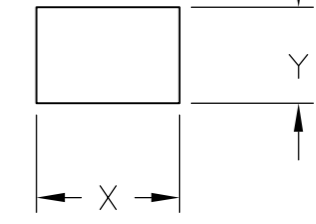
1

THIS DRAWING IS UNPUBLISHED. RELEASED FOR PUBLICATION. ALL RIGHTS RESERVED.

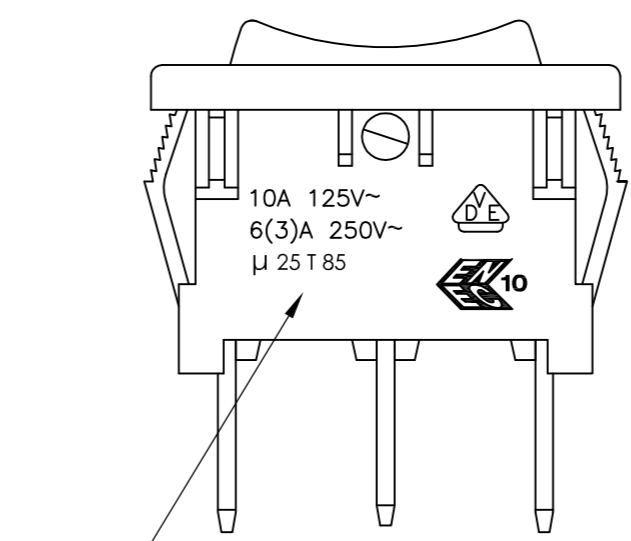
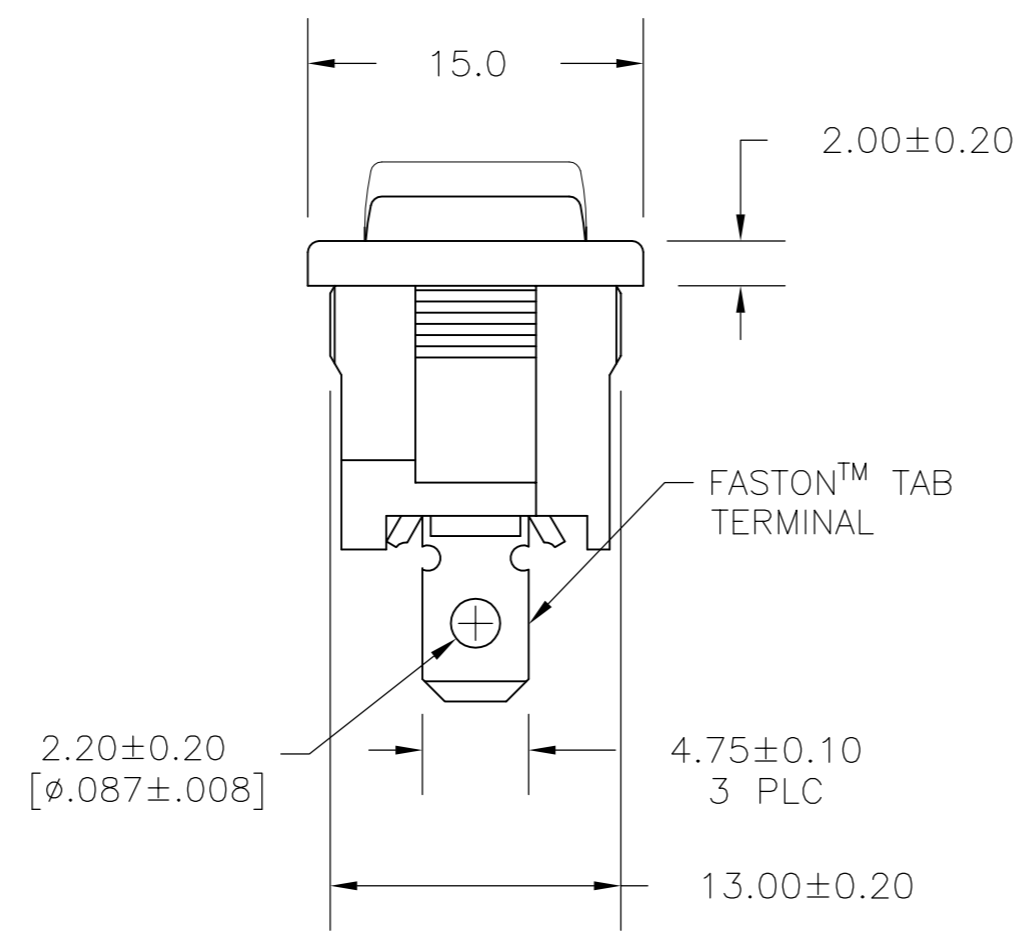
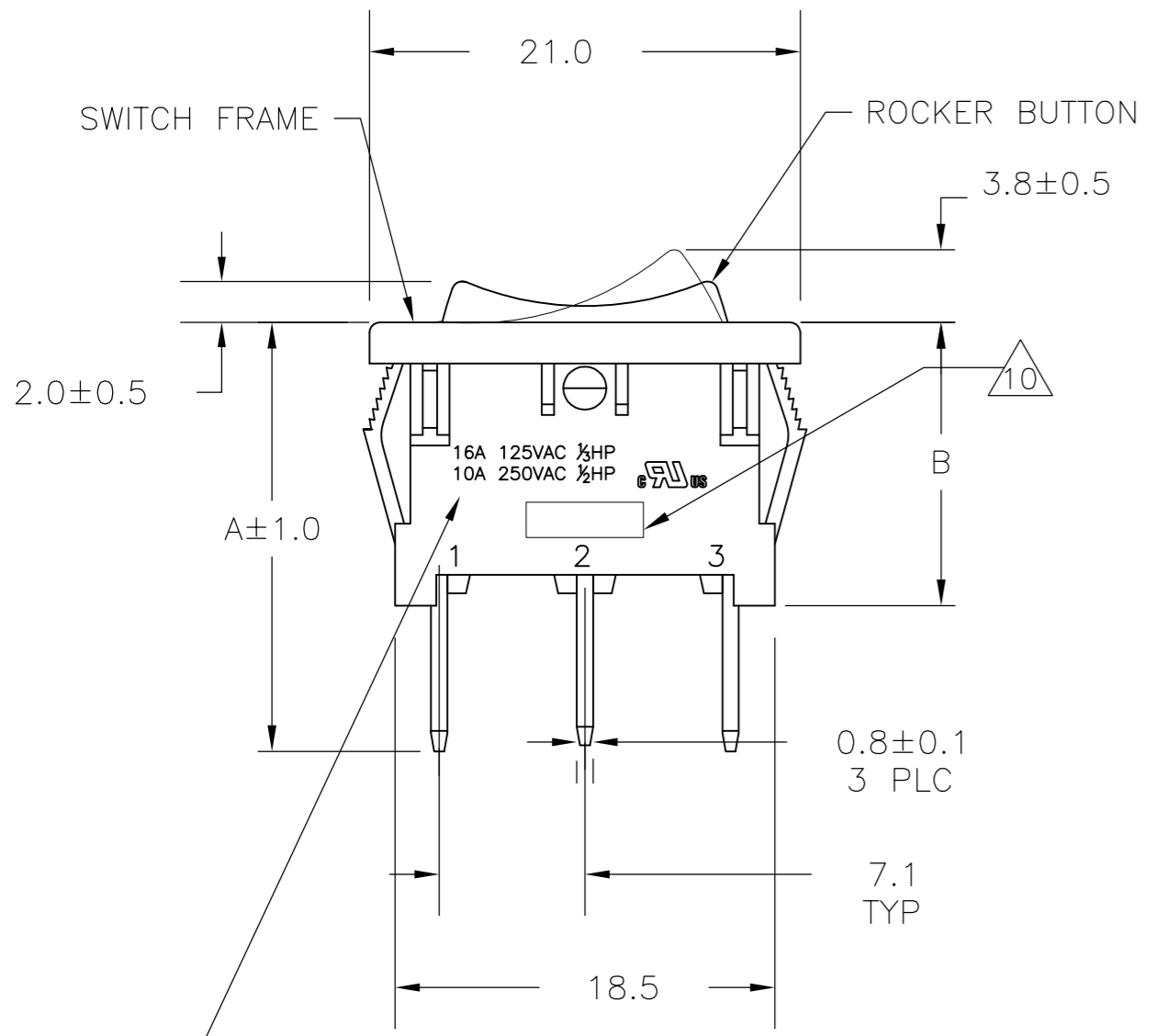
REVISIONS					
P	LTR	DESCRIPTION	DATE	DWN	APVD
-	-	SEE SHEET 1	-	-	-



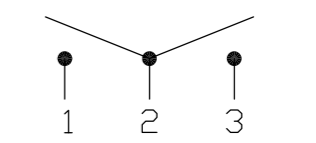
PANEL CUT OUT



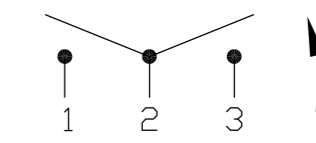
2.00-3.00	19.8-0.1	13.0+0.1
1.25-2.00	19.4-0.1	13.0+0.1
0.75-1.25	19.2-0.1	13.0+0.1
PANEL THICKNESS	X	Y



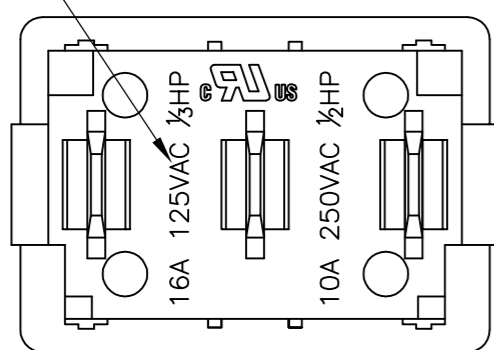
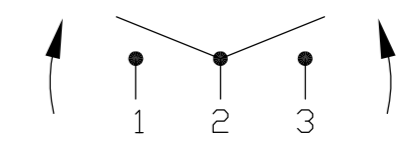
SWITCH FUNCTION D3
CIRCUIT DIAGRAM



SWITCH FUNCTION D4
CIRCUIT DIAGRAM



SWITCH FUNCTION D5
CIRCUIT DIAGRAM



1-1571079-4 SHOWN
(THREE ROCKER BUTTON POSITIONS)

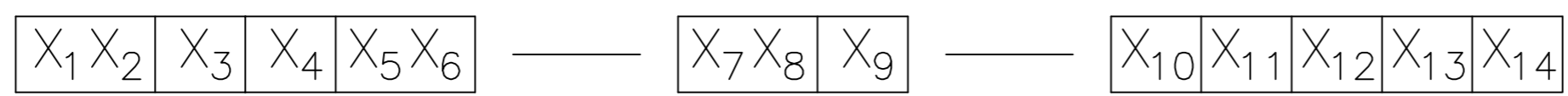
THIS DRAWING IS A CONTROLLED DOCUMENT.		DWN M.BINNER	25FEB2002		
DIMENSIONS: mm		CHK J.MOSIER	APVD -		
TOLERANCES UNLESS OTHERWISE SPECIFIED:		PRODUCT SPEC NOT APPLICABLE		SIZE A2	
0 PLC ± -		APPLICATION SPEC NOT APPLICABLE		CAGE CODE 00779	DRAWING NO 1571079
1 PLC ± 0.30		MATERIAL		RESTRICTED TO	
2 PLC ± 0.05		FINISH		-	
3 PLC ± -		WEIGHT		-	
4 PLC ± -		CUSTOMER DRAWING		SCALE 3:1	SHEET 2 of 3
ANGLES ± -				REV L2	

1571079

THIS DRAWING IS UNPUBLISHED. RELEASED FOR PUBLICATION
 © COPYRIGHT - By - ALL RIGHTS RESERVED.

REVISIONS				
P	LTR	DESCRIPTION	DATE	APVD
-	-	SEE SHEET 1	-	-

ALCOSWITCH PART NUMBER



SWITCH TYPE: X₁X₂ = PR - POWER ROCKER

NOMINAL PANEL CUT OUT SIZE: X₃ = A - 13.0x19.2

NUMBER OF POLES: X₄ = S - SINGLE

SWITCH FUNCTION: X₅X₆ = D₁ - ON-ON WITH OPAQUE, SINGLE-COLOR ROCKER BUTTON
 D₂ - ON-(ON) WITH OPAQUE, SINGLE-COLOR ROCKER BUTTON
 D₃ - ON-OFF-ON WITH OPAQUE, SINGLE-COLOR ROCKER BUTTON
 D₄ - ON-OFF-(ON) WITH OPAQUE, SINGLE-COLOR ROCKER BUTTON
 D₅ - (ON)-OFF-(ON), WITH OPAQUE, SINGLE-COLOR ROCKER BUTTON

CURRENT RATING: X₇X₈ = 16 - Δ_6

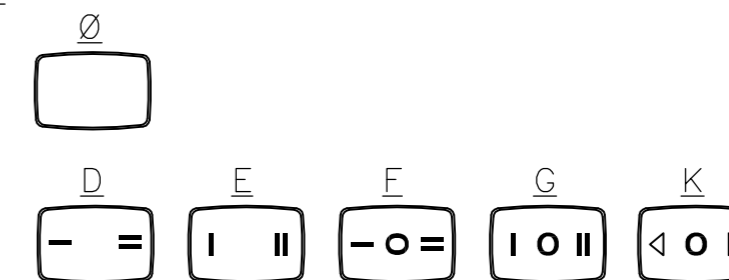
TERMINAL TYPE: X₉ = E - FASTON™ TAB
 L - SOLDER LUG

FRAME COLOR: X₁₀ = B - BLACK
 W - WHITE

ROCKER COLOR: X₁₁ = B - BLACK
 G - GREEN
 R - RED
 W - WHITE

SECONDARY ROCKER COLOR: X₁₂ = Ø - NOT APPLICABLE
 B - BLACK
 G - GREEN
 R - RED
 W - WHITE

LEGEND TEXT PATTERN: X₁₃ =



LEGEND TEXT COLOR: X₁₄ = Ø - NOT APPLICABLE
 G - GREEN
 R - RED
 B - BLACK
 W - WHITE

1 MATERIALS:
 ROCKER BUTTON & HOUSING FRAME: NYLON 66, UL 94 V-2.
 TERMINAL, ACTIVE CONTACTOR: COPPER ALLOY PER ASTM B152/B152M
 PLUNGER: COPPER ALLOY PER ASTM B036
 PHENOLIC, UL94V1(SWITCH FUNCTION D5 ONLY)
 SPRING: STEEL WIRE PER ASTM A228/A228M
 CONTACT: SILVER-TIN OXIDE

2 FINISH:
 TERMINAL, ACTIVE CONTACTOR: 1.0µm MIN SILVER
 COPPER ALLOY PLUNGER: 3.0µm MIN NICKEL

3 ELECTRICAL SPECIFICATIONS:
 CURRENT AND VOLTAGE: Δ_6
 CONTACT RESISTANCE (INITIAL): <100mΩ (5V, 1A DC)
 DIELECTRIC STRENGTH (INITIAL): >1000 VAC, 1 MINUTE
 INSULATION RESISTANCE (INITIAL): >100MΩ MIN (500VDC BETWEEN OPEN CONTACTS)
 INRUSH CURRENT: 50A / 3msec (CAPACITIVE LOAD)
 ELECTRICAL LIFE ENDURANCE: >6000 OPERATIONS, VOLTAGE DROP: <100mV
 TEMPERATURE RISE AT TERMINALS: <30°C, 6000 OPERATIONS (AMBIENT CONDITIONS: 25±2°C AND 65±5%R.H)

4 MECHANICAL SPECIFICATIONS:
 ACTUATING FORCE: 150g MIN, 650g MAX
 OPERATING LIFE ENDURANCE: >100,000 OPERATIONS
 TERMINAL RETENTION STRENGTH: >2.5kg- SOLDER LUG
 >6.8kg- FASTON TAB

5 ENVIRONMENTAL SPECIFICATIONS:
 AMBIENT TEMPERATURE: -20°C TO +85°C
 HUMIDITY: MAX 85%
 SALT SPRAY: NO REMAKABLE RUST IN METAL PARTS. (5%SALT / 35°C 24HRS)
 SHOCK: NO MECHANICAL DEFECT OR DAMAGE. (100g / 10MSEC/ X,Y,Z 3 TIMES)
 VIBRATION: NO MECHANICAL DEFECT OR DAMAGE. (10-55Hz /1.5mm/ X,Y,Z 2HRS)

6 UL: 16A@125VAC ½HP / 10A@250VAC ½HP
 ENEC: 10A 125V~, 6(3)A 250V~, µ25T85

7 ELECTRICAL RATINGS, APPROVED AGENCY LOGOS, TERMINAL IDENTIFICATION NUMBERS, MOLDED APPROXIMATELY AS SHOWN ON THE SIDE AND/OR BOTTOM SURFACE(S) OF THE SWITCH HOUSING.

8 COMPONENT RECOGNIZED TO US & CANADIAN STANDARDS, UL FILE NO. E46765.

9 COMPONENT RECOGNIZED TO EUROPEAN STANDARDS (ENEC, PENDING VDE). MARKS LICENSE No. 40006757

10 TE CONNECTIVITY LOGO LOCATED APPROXIMATELY AS SHOWN PER TEC 202-36

	16.5	23.5	2	PRASD5-16F-BB0KW	1-1571079-6
OBSOLETE	16.5	23.5	2	PRASD4-16F-BB0GW	1-1571079-5
	16.5	23.5	2	PRASD4-16F-BB0FW	1-1571079-4
OBSOLETE	16.5	23.5	2	PRASD4-16F-BB000	1-1571079-3
	13.8	20.9	1	PRASD2-16F-BB0EW	1-1571079-2
	13.8	20.9	1	PRASD2-16F-BB0DW	1-1571079-1
	13.8	20.9	1	PRASD2-16F-BB000	1-1571079-0
	16.5	23.5	2	PRASD3-16F-BB0GW	1571079-9
OBSOLETE	16.5	23.5	2	PRASD3-16F-BB0FW	1571079-8
	16.5	23.5	2	PRASD3-16F-BB000	1571079-7
OBSOLETE	13.8	20.9	1	PRASD1-16F-BB0EW	1571079-6
OBSOLETE	13.8	20.9	1	PRASD1-16F-BB0DW	1571079-5
	13.8	20.9	1	PRASD1-16F-BB000	1571079-4
	B	A	SHEET REF.	ALCOSWITCH PART NUMBER	PART NUMBER

THIS DRAWING IS A CONTROLLED DOCUMENT. 25FEB2002

DWN: M.BINNER
 CHK: J.MOSIER
 APVD: -

TE Connectivity

NAME: POWER ROCKER SWITCH 13.0mmX19.2mm
 PANEL SIZE SPDT, 3 TERMINALS, NON-ILLUMINATED

PRODUCT SPEC: NOT APPLICABLE
 APPLICATION SPEC: NOT APPLICABLE

SIZE: A2 CAGE CODE: 00779 DRAWING NO: 1571079 RESTRICTED TO: -

MATERIAL: - WEIGHT: - FINISH: -

CUSTOMER DRAWING SCALE: 3:1 SHEET: 3 of 3 REV: L2

Данный компонент на территории Российской Федерации

Вы можете приобрести в компании MosChip.

Для оперативного оформления запроса Вам необходимо перейти по данной ссылке:

<http://moschip.ru/get-element>

Вы можете разместить у нас заказ для любого Вашего проекта, будь то серийное производство или разработка единичного прибора.

В нашем ассортименте представлены ведущие мировые производители активных и пассивных электронных компонентов.

Нашей специализацией является поставка электронной компонентной базы двойного назначения, продукции таких производителей как XILINX, Intel (ex.ALTERA), Vicor, Microchip, Texas Instruments, Analog Devices, Mini-Circuits, Amphenol, Glenair.

Сотрудничество с глобальными дистрибьюторами электронных компонентов, предоставляет возможность заказывать и получать с международных складов практически любой перечень компонентов в оптимальные для Вас сроки.

На всех этапах разработки и производства наши партнеры могут получить квалифицированную поддержку опытных инженеров.

Система менеджмента качества компании отвечает требованиям в соответствии с ГОСТ Р ИСО 9001, ГОСТ РВ 0015-002 и ЭС РД 009

Офис по работе с юридическими лицами:

105318, г.Москва, ул.Щербаковская д.3, офис 1107, 1118, ДЦ «Щербаковский»

Телефон: +7 495 668-12-70 (многоканальный)

Факс: +7 495 668-12-70 (доб.304)

E-mail: info@moschip.ru

Skype отдела продаж:

moschip.ru

moschip.ru_4

moschip.ru_6

moschip.ru_9