

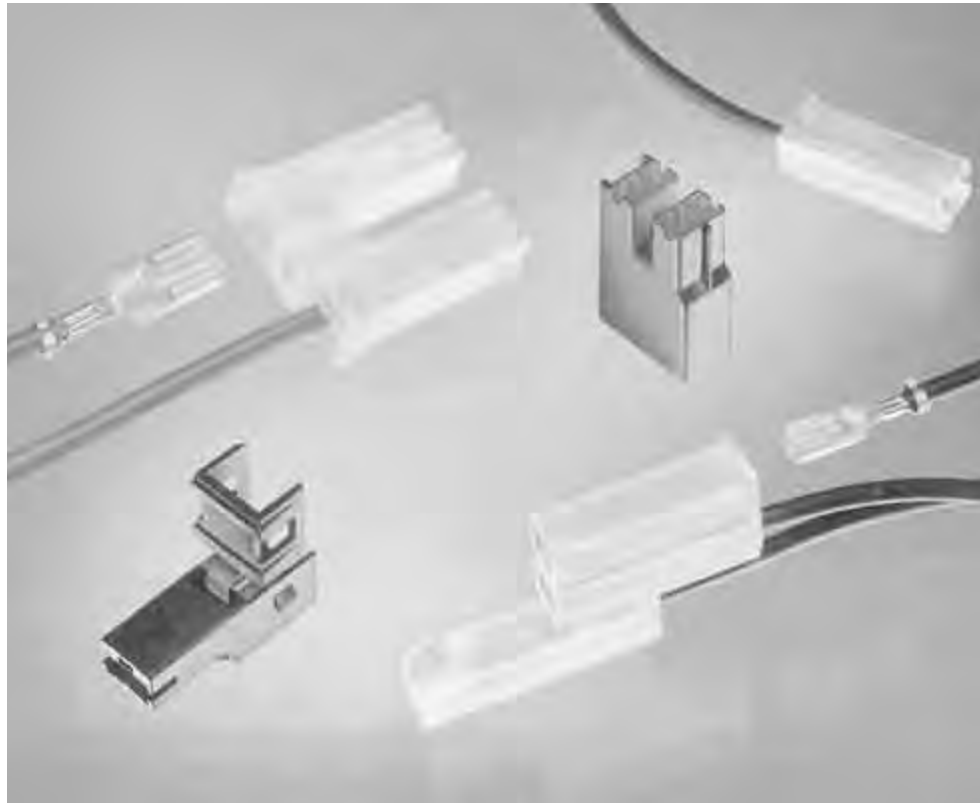


Positive Lock Receptacles

Product Facts

- Reduced insertion force
- Locks onto tabs containing holes
- Housing insulates and serves as a removal tool
- “Snap” action tells assembler receptacle is mated properly
- Terminated by automatic or semi-automatic equipment
- Single and multiple circuit housings available
- Recognized under the Component Program of Underwriters Laboratories Inc., File Nos. E66717 and E28476 
- Certified by Canadian Standards Association File No. LR7189A 



Positive Lock receptacles are specifically designed to provide ease of assembly and secure retention to mating tabs. These unique features are attainable by the reduced insertion force of the product and the locking dimple. The receptacle locks onto mating tabs containing holes and is removable only by deflecting an integrally designed depressor prior to withdrawal. The depressor can be deflected manually by thumb pressure, or automatically by a cam inside a specially designed nylon housing. If the housing is employed,

removal of the terminal from the tab is performed by simply applying withdrawal force to the housing. In addition to providing a means of disconnecting the terminal, the housing performs its traditional insulating function.

Aside from reduced insertion forces, Positive Lock receptacles give the assembler a definite mechanical “snap” when the terminal is correctly seated over the mating tab. This facilitates correct assembly in hard-to-reach areas such as under dashboards, recessed switch tabs, etc.

Safety is enhanced by the locking capability of the product. Unless the depressor is deliberately deflected, either manually or by withdrawal force applied directly to the optional housing, a terminal will not easily come off of the tab. Thus, the potential of exposed live parts or disruption of critical circuitry due to improperly seated or accidentally removed terminals is greatly reduced.

Positive Lock Receptacles (Continued)

Mark I

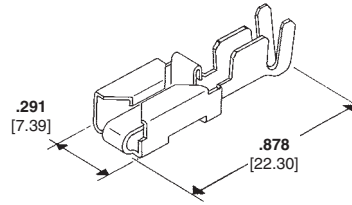
250 Series Receptacles

Stock Thickness — .016 [0.41]

Fits Tab — .032 [0.81]

Recognized under the Component Program of Underwriters Laboratories Inc.,

UL File No. E28476



| Wire Range AWG | Insulation Diameter | Material and Finish | Part Numbers | | | | |
|-------------------|------------------------|------------------------|----------------------|---|---|---|-----------|
| | | | Receptacle | | | Quick Change Applicator No. ² | Hand Tool |
| 20-16 | .090-.130 2.29-3.30 | Brass/Pre-Tin | 1-160759-1 | X | X | 567181-2 | 654174-1 |
| 18-14 | .135-.195 3.43-4.95 | Brass/Tin | 63812-1 ¹ | X | X | 680140-2 | — |
| | .095-.155 2.41-3.94 | Brass/Tin | 154718-3 | X | — | 466542-3 | 525651 |
| 14-11 | .140-.170 3.56-4.32 | Brass/Tin | 154717-3 | X | — | 466883-2 | 525651 |
| 12-10 | .135-.200 3.43-5.08 | Brass/Pre-Tin | 790319-3 | — | — | 567417-2 | — |

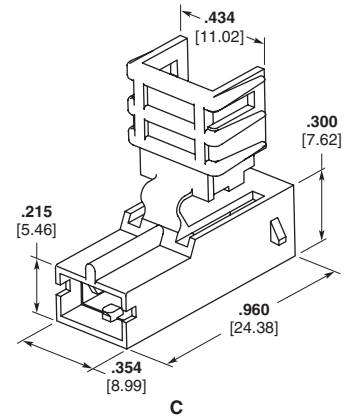
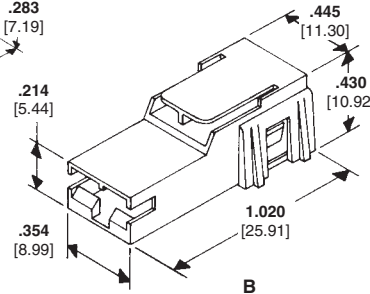
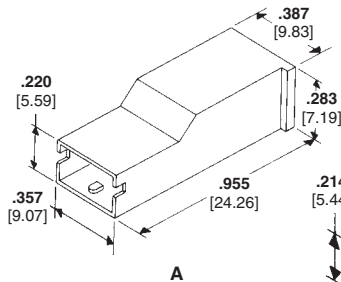
¹ "A" Style Housing only.

² Quick-Change Applicator for AMP-O-LECTRIC Machine 565435-5.
For AMPOMATOR Machine and other machines not listed, contact TE.

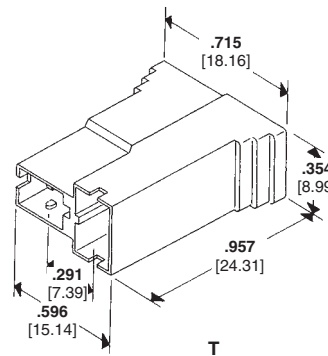
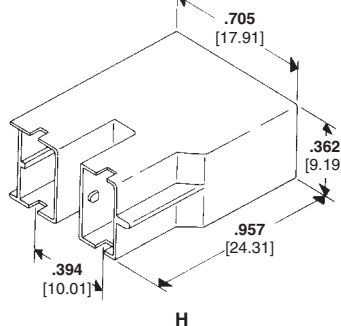
Receptacle Housings

Material — 94 V-2, 6/6 Nylon

1 Position



2 Position



| Style | Color | Part No. |
|-------|---------|-----------------------|
| A | Black | 154719-0 |
| | Natural | 154719-1 |
| B | Black | 520961-1 ¹ |
| C | Black | 520895-1 ² |
| H | Black | 926521-2 |
| T | Black | 926522-1 |
| | Natural | 926522-2 |

¹ Press-to-release with secondary lock.

² Secondary lock.

Note: All part numbers are RoHS compliant.

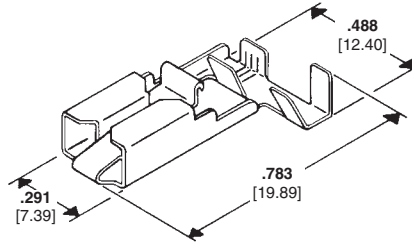
Positive Lock Receptacles (Continued)

Mark I

250 Series Flag Receptacle

Stock Thickness — .016 [0.41]

Fits Tab — .032 [0.81]

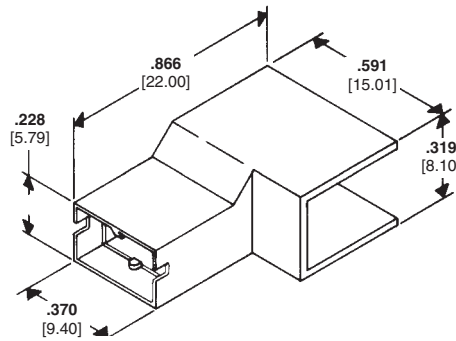


| Wire Range AWG | Insulation Diameter | Material and Finish | Part Number |
|-------------------|------------------------|------------------------|-------------|
| 20-15 | .087-.130 2.21-3.30 | Brass/Pre-Tin | 926820-4 |
| 17-13 | .130-.170 3.00-4.30 | Brass/Pre-Tin | 926790-4 |

Mark I

**250 Series
Receptacle Housings**

Material — 94 V-2, 6/6 Nylon

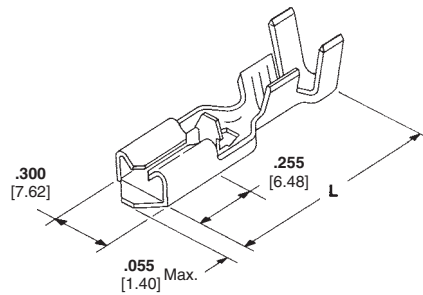


| Color | Part Number |
|-------|-------------|
| Black | 926291-1 |

Note: All part numbers are RoHS compliant.

Positive Lock Receptacles (Continued)

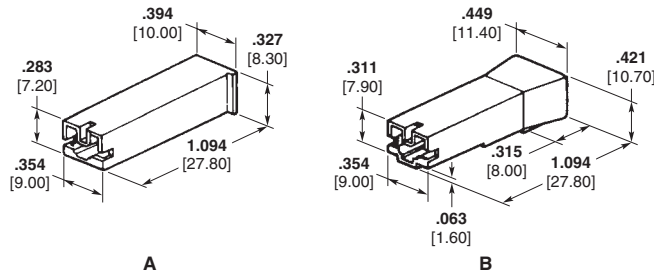
**Mark II
250 Series
Straight Receptacles**



| Wire Range AWG | Tab Thickness | Insulation Diameter | Material and Finish | Stock Thickness | L (Overall Length) | UL | SP | Terminal Part No. |
|-------------------------|------------------|--|------------------------|--------------------|-----------------------|----|----|----------------------|
| 22-18 | .032 0.81 | .059-.122 1.50-3.10 | Pre-Tin Brass | .016 0.41 | .976 24.80 | X | X | 170327-1 |
| 18-16 (2) 18, (2) 20 | .032 0.81 | .105-.210 2.67-5.33 or (2) .105 2.67 Max. | Brass | .016 0.41 | .886 22.50 | — | — | 1742354-1 |
| 18-14 | .032 0.81 | .090-.155 2.29-3.94 | Brass | .016 0.41 | .886 22.50 | X | X | 63097-2 |
| | .025 0.64 | .090-.155 2.29-3.94 | Brass, Tin Plated | .016 0.41 | .886 22.50 | X | X | 63809-1 |
| | .020 0.51 | .090-.155 2.29-3.94 | Brass, Tin Plated | .016 0.41 | .886 22.50 | X | X | 63442-1 |
| 15-10 | .032 0.81 | .090-.135 2.29-3.43 | Pre-Tin Brass | .016 0.41 | 1.015 25.80 | X | X | 170328-1 |
| | .032 0.81 | .110-.200 2.79-5.08 | Pre-Tin Brass | .016 0.41 | 1.015 25.80 | X | X | 170329-1 |
| 12-10 | .032 0.81 | .150-.200 3.81-5.08 | Brass, Tin Plated | .018 0.46 | .913 23.20 | X | X | 63239-1 |

Positive Lock Receptacles

**Mark II
250 Series
Receptacle Housings
1 Circuit**

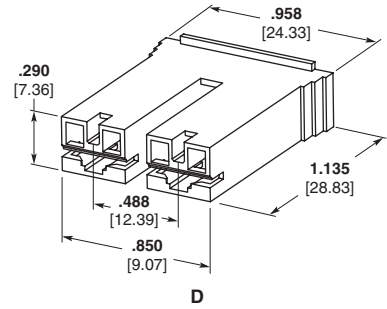
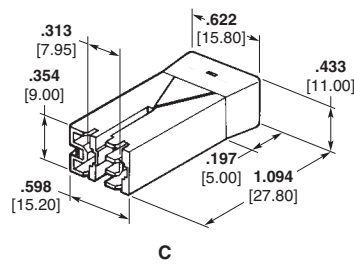
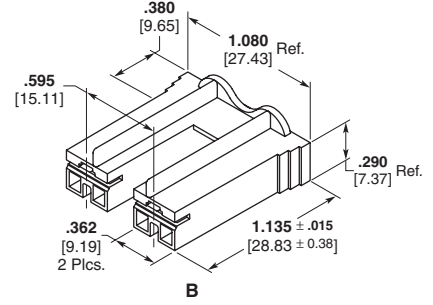
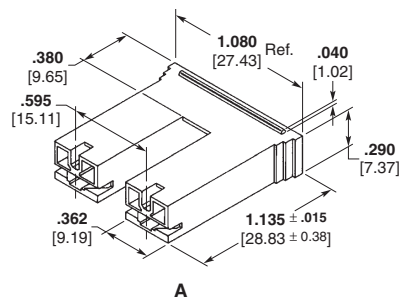


| Style | Material | UL 94 | Color | UL | SP | Part Number |
|-------|-----------|-------|------------|------------|----------|----------------|
| A | 6/6 Nylon | V2 | Natural | — | — | 172076-1 |
| | | | Black | — | — | 172076-2 |
| | | | Yellow | — | — | 172076-4 |
| | | | Green | — | — | 172076-5 |
| | | | Blue | — | — | 172076-6 |
| | | Red | — | — | 172076-7 | |
| | | V0 | Natural | — | — | 2-172076-1 |
| | | | Black | — | — | 2-172076-2 |
| | | | Yellow | — | — | 2-172076-4 |
| | | | Green | — | — | 2-172076-5 |
| Blue | — | | — | 2-172076-6 | | |
| Red | — | — | 2-172076-7 | | | |
| B | 6/6 Nylon | V0 | Natural | X | X | 177627-1 |
| | | | Yellow | X | X | 177627-4 |
| | | | Green | — | — | 177627-5 |
| | | | Blue | — | — | 177627-6 |
| | | | Red | — | — | 177627-7 |
| | | | Black | — | — | 177627-9 |

Note: All part numbers are RoHS compliant.

Positive Lock Receptacles (Continued)

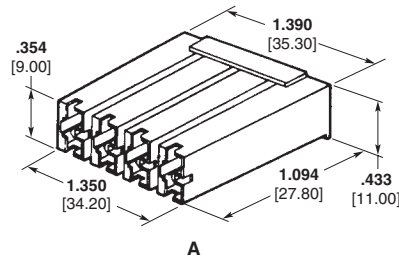
**Mark II
250 Series
Receptacle Housings
2 Circuit**



| Style | Material | UL 94 | Color | | | Part Number |
|-------|-----------|-------|---------|---|---|-------------------------|
| A | 6/6 Nylon | V2 | Natural | X | X | 520935-1 |
| | | | Red | X | X | 520935-2 |
| | | | Black | — | — | 520935-3 |
| | | | Green | — | — | 520935-4 |
| | | | Blue | — | — | 520935-5 |
| | | | Yellow | — | — | 520935-6 |
| | | | Brown | — | — | 520935-7 |
| B | 6 Nylon | V0 | Natural | — | — | 1-520935-1 |
| | | | Red | — | — | 1-520935-2 |
| | | | Blue | — | — | 1-520935-5 |
| C | 6 Nylon | V2 | Natural | — | — | 1-521229-1 ¹ |
| | | | Red | X | X | 521229-1 |
| D | 6/6 Nylon | V0 | Natural | — | — | 521229-2 |
| | | | Red | — | — | 178833-1 |
| D | 6/6 Nylon | V0 | Natural | X | X | 1969332-2 |

¹ Housing material to IEC 60695-2-11 Glow Wire temps. 650°C, 750°C, & 850°C.

**Mark II
250 Series
Receptacle Housings
4 Circuit**

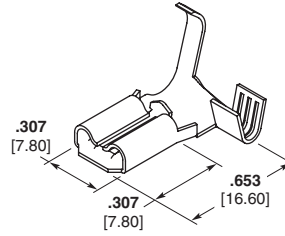


| Style | Material | UL 94 | Color | | | Part Number |
|-------|-----------|-------|---------|---|---|-------------|
| A | 6/6 Nylon | V2 | Natural | X | X | 174429-1 |

Note: All part numbers are RoHS compliant.

Positive Lock Receptacles (Continued)

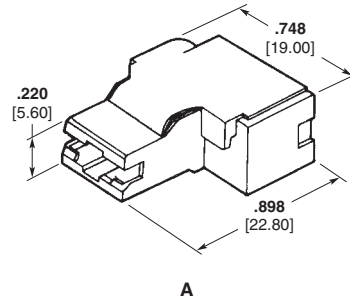
Mark II
250 Series
Flag Receptacles
Stock Thickness — .016 [0.41]
Fits Tab — .032 [0.81]



| Wire Range AWG | Insulation Diameter | Material and Finish | UL | RU | SP | Terminal Part No. |
|-------------------|------------------------|------------------------|----|----|----|----------------------|
| 22-18 | 0.59-.110 1.50-2.80 | Pre-Tin Brass | X | — | X | 172761-1 |
| 18-14 | .110-.205 2.80-5.20 | Pre-Tin Brass | X | — | X | 172763-1 |
| 12-10 | .110-.205 2.80-5.20 | Pre-Tin Brass | X | — | X | 172765-1 |

Positive Lock Receptacles

Mark II
250 Series
Flag Style Receptacle Housing
1 Circuit

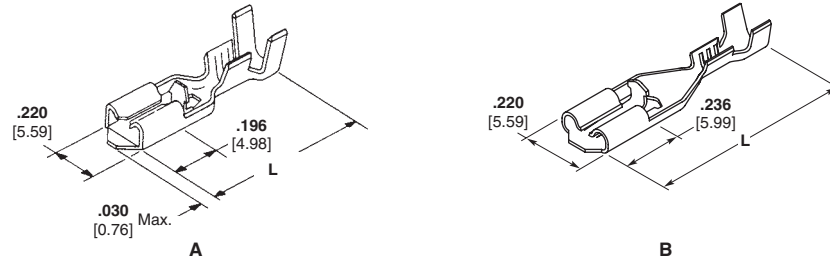


| Style | Material | UL 94 | Color | RU | SP | Part Number |
|-------|-----------|-------|---------|----|----|----------------|
| | | V2 | | | | Natural |
| A | 6/6 Nylon | V0 | Natural | — | — | 1-172469-1 |
| | | | Blue | — | — | 1-172469-2 |

Note: All part numbers are RoHS compliant.

Positive Lock Receptacles (Continued)

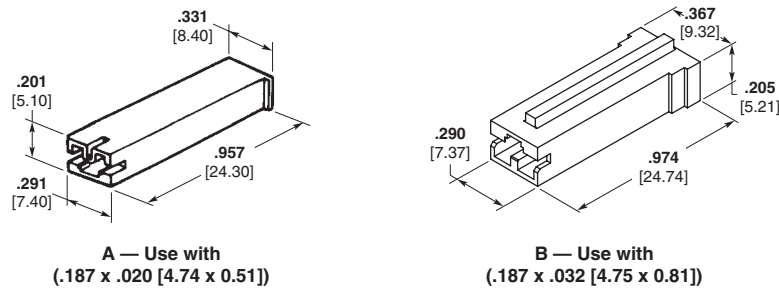
**Mark II
187 Series
Straight Receptacles**



| Wire Range AWG | Style | Tab Fit | Insulation Diameter | Material and Finish | Stock Thickness | L (Overall Length) | UL | SP | Terminal Part No. |
|-------------------|-------|--------------|--|--------------------------------|--------------------|-----------------------|----|----|----------------------|
| 24-20 | B | .020 0.51 | .060-.105 1.52-2.67 | Pre-Tin Brass | .012 0.30 | .850 21.60 | X | X | 170324-1 |
| | | .020 0.51 | .060-.105 1.52-2.67 | Phos. Bronze, Nickel Plated | .012 0.30 | .850 21.60 | X | X | 170324-2 |
| | | .020 0.51 | .060-.105 1.52-2.67 | Pre-Tin Phos. Bronze | .012 0.30 | .850 21.60 | — | — | 170324-5 |
| 20-16 | A | .020 0.51 | .060-.110 1.52-2.79 | Pre-Tin Brass | .012 0.30 | .755 19.17 | X | X | 63407-2 ¹ |
| | | .020 0.51 | .074-.134 1.87-3.40 | Pre-Tin Brass | .012 0.30 | .850 21.60 | X | X | 170325-1 |
| | B | .020 0.51 | .074-.134 1.87-3.40 | Pre-Tin Phos. Bronze | .012 0.30 | .850 21.60 | — | — | 170325-3 |
| | | .020 0.51 | .090-.130 2.29-3.30 | Brass, Pre-Tin | .012 0.30 | .755 19.17 | X | X | 63232-1 ¹ |
| | | .032 0.81 | .060-.110 1.52-2.79 | Brass, Tin Plated | .012 0.30 | .740 18.80 | X | X | 63498-1 ² |
| | | .032 0.81 | .090-.130 2.29-3.30 | Brass, Tin Plated | .012 0.30 | .755 19.17 | X | X | 63313-1 ¹ |
| 18-14 (2) 18 | B | .020 0.51 | .083-.142 2.11-3.61 (2) .216 5.49 | Brass, Pre-Tin | .012 0.30 | .850 21.60 | — | — | 170326-1 |

¹ Low profile — not for use in housing.
² For use with housing 521125.

**Mark II
187 Series
Receptacle Housings
1 Circuit**

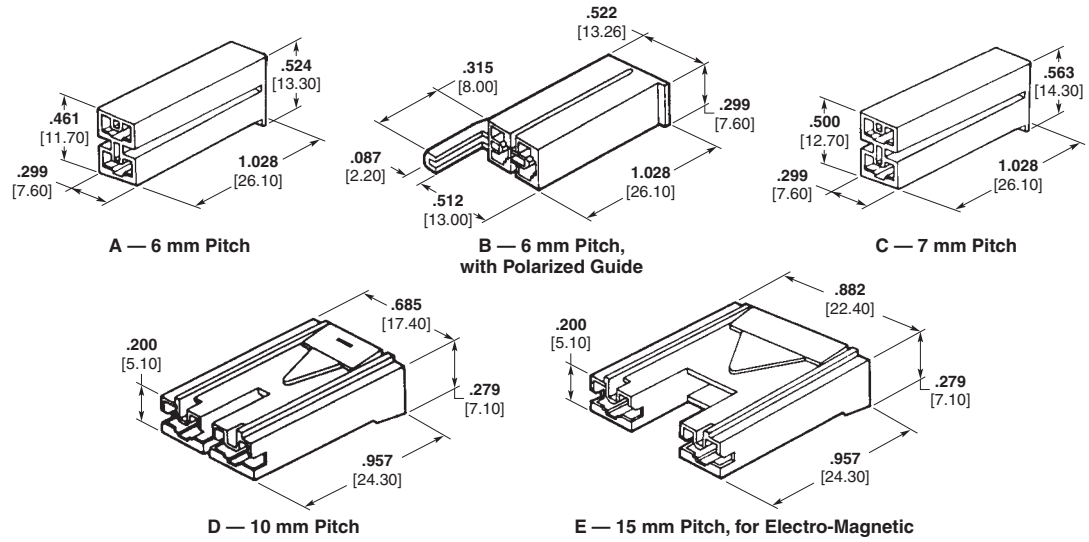


| Style | Material | UL 94 | Color | UL | SP | Part Number | | |
|-------|-----------|--------|---------|-----------|----|----------------|----------|---|
| A | 6/6 Nylon | V2 | Natural | X | X | 172074-1 | | |
| | | | Black | — | — | 172074-2 | | |
| | | | Yellow | — | — | 172074-4 | | |
| | | | Green | — | — | 172074-5 | | |
| | | | Blue | — | — | 172074-6 | | |
| | | | Red | — | — | 172074-7 | | |
| | | | V0 | Natural | X | X | 173974-1 | |
| | | Black | | — | — | 173974-2 | | |
| | | Yellow | | — | — | 173974-4 | | |
| | | Green | | — | — | 173974-5 | | |
| | | Blue | | — | — | 173974-6 | | |
| | | Red | | — | — | 173974-7 | | |
| | | B | | 6/6 Nylon | V2 | Natural | — | — |

Note: All part numbers are RoHS compliant.

Positive Lock Receptacles (Continued)

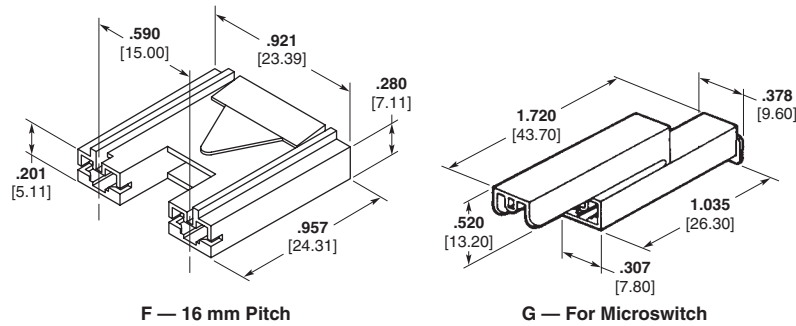
**Mark II
187 Series
Receptacle Housings
2 Circuit**



| Style | Material | UL 94 | Color | UL | CS | Part Number | | |
|--------|-----------|--------|-----------|----|------------|-------------|---|------------|
| A | 6/6 Nylon | V2 | Natural | — | — | 172210-1 | | |
| | | | Black | — | — | 172210-2 | | |
| | | | Yellow | — | — | 172210-4 | | |
| | | | Blue | — | — | 172210-6 | | |
| | | | Natural | X | X | 1-172210-1 | | |
| | | | Black | X | X | 1-172210-2 | | |
| | V0 | Yellow | — | — | 1-172210-4 | | | |
| | | Green | — | — | 1-172210-5 | | | |
| | | Blue | — | — | 1-172210-6 | | | |
| | | Red | — | — | 1-172210-7 | | | |
| | | B | 6/6 Nylon | V0 | Natural | X | X | 174587-1 |
| | | | | | Natural | — | — | 1-174587-1 |
| Yellow | — | | | | — | 1-174587-4 | | |
| Green | — | | | | — | 1-174587-5 | | |
| Blue | — | | | | — | 1-174587-6 | | |
| Red | — | | | | — | 1-174587-7 | | |

| Style | Material | UL 94 | Color | UL | CS | Part Number |
|---------|-----------|--------|---------|-----------|----|-------------|
| C | 6/6 Nylon | V0 | Natural | — | — | 1-175578-1 |
| | | | Black | — | — | 1-175578-2 |
| | | | Natural | — | — | 1-175578-1 |
| | | | Black | — | — | 1-175578-2 |
| | | | Yellow | — | — | 1-175578-4 |
| | | | Blue | — | — | 1-175578-6 |
| D | 6/6 Nylon | V0 | Red | — | — | 1-175578-7 |
| | | | Natural | — | — | 179720-1 |
| | | | Black | — | — | 179720-2 |
| | | | Yellow | — | — | 179720-4 |
| | | | Blue | — | — | 179720-6 |
| | | | Red | — | — | 179720-7 |
| | | | E | 6/6 Nylon | V0 | Natural |
| Black | — | — | | | | 176498-2 |
| Yellow | — | — | | | | 176498-4 |
| Blue | — | — | | | | 176498-6 |
| 6 Nylon | V2 | Yellow | | | | — |

¹ Housing material to IEC 60695-2-11 Glow Wire temps. 650°C, 750°C, & 850°C.



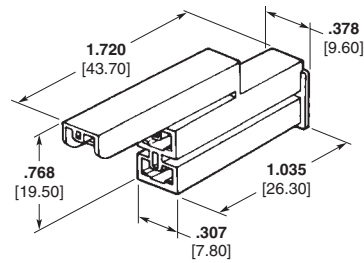
| Style | Material | UL 94 | Color | UL | CS | Part Number |
|-------|-----------|-------|---------|----|----|-------------|
| F | 6/6 Nylon | V0 | Yellow | — | — | 353148-4 |
| | | | Green | — | — | 353148-5 |
| | | | Blue | — | — | 353148-6 |
| G | 6/6 Nylon | V0 | Natural | X | X | 174712-1 |
| | | | Natural | — | — | 1-174712-1 |
| | | | Blue | — | — | 1-174712-6 |
| | | | Red | — | — | 1-174712-7 |

Note: All part numbers are RoHS compliant.

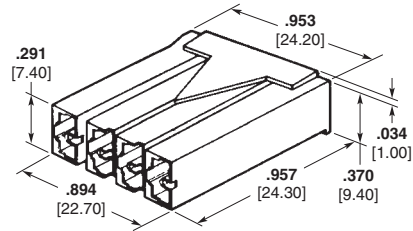
Positive Lock Receptacles

Positive Lock Receptacles (Continued)

Mark II
187 Series
Receptacle Housings
3 Circuit and
4 Circuit



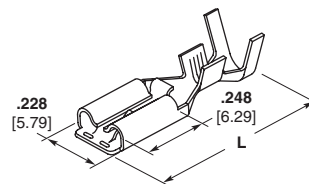
A — 3 Circuit
For Micro-Switch



B — 4 Circuit
For Timer

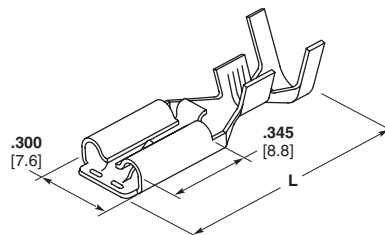
| Style | Material | UL 94 | Color | UL | SP | Part Number |
|-------|-----------|-------|---------|----|----|-------------|
| A | 6/6 Nylon | V2 | Natural | X | X | 172075-1 |
| | | | Yellow | X | X | 172075-4 |
| | | | Blue | — | — | 172075-6 |
| | | V0 | Natural | — | — | 1-172075-1 |
| | | | Yellow | — | — | 1-172075-4 |
| | | | Natural | X | X | 174513-1 |

Positive Lock EX
187 Series
Straight Receptacles



| Wire Range AWG | Tab Thickness | Insulation Diameter | Material | Stock Thickness | L (Overall Length) | UL | SP | Terminal Part No. |
|--------------------|---------------|----------------------|-----------------|-----------------|--------------------|----|----|-------------------|
| 26-20 0.14-0.53 | .020 0.50 | .050-.140 1.3-3.6 | Stainless Steel | .012 0.30 | .675 17.2 | — | — | 175032-1 |
| 26-16 0.50-1.30 | .020 0.50 | .090-.140 2.3-3.6 | Stainless Steel | .012 0.30 | .675 17.2 | X | — | 1742669-1 |
| 20-14 0.50-2.20 | .020 0.50 | .075-.173 1.9-4.4 | Stainless Steel | .012 0.30 | .675 17.2 | — | X | 175034-1 |

Positive Lock EX
250 Series
Straight Receptacles



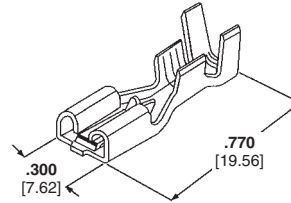
| Wire Range AWG | Tab Thickness | Insulation Diameter | Material | Stock Thickness | L (Overall Length) | UL | SP | Terminal Part No. |
|--------------------|---------------|----------------------|-----------------|-----------------|--------------------|----|----|-------------------|
| 18-14 0.76-2.09 | .032 0.80 | .085-.135 2.2-3.4 | Stainless Steel | .016 0.41 | .835 21.2 | — | — | 175164-1 |

Note: All part numbers are RoHS compliant.

Positive Lock Receptacles (Continued)

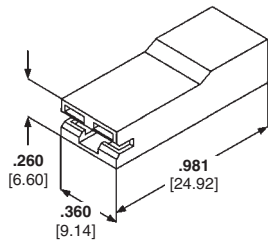
**Mark III
250 Series
Receptacles**

Stock Thickness — .016
Accepts .032 Tab

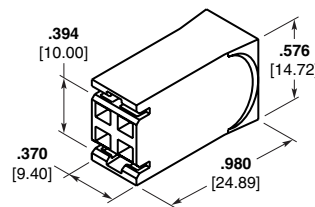


| Wire Range AWG | Insulation Diameter | Material and Finish | UL | SP | Part Number |
|--|------------------------|------------------------|----|----|-------------|
| 22-18 | .060-.110 1.52-2.79 | Brass | X | X | 63933-1 |
| | | Brass/Tin | X | X | 63933-2 |
| 18-14 | .090-.155 2.28-3.93 | Brass | X | X | 63854-1 |
| | | Brass/Tin | X | X | 63854-2 |
| 16-12 or (2) 18 or (2) 16 or (1) 18 and (1) 16 | .120-.170 3.04-4.31 | Brass | X | X | 1217092-1 |
| | | Brass/Tin | X | X | 1217092-2 |

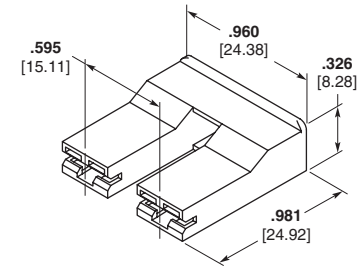
**Mark III
Receptacle Housings**



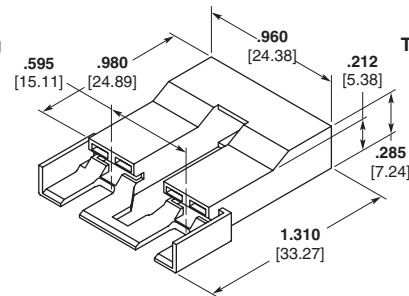
One Circuit Housing
A



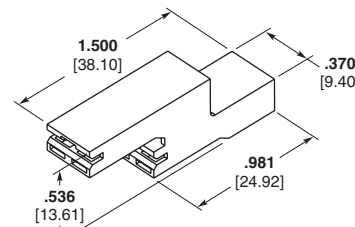
Two Circuit Wax Motor Housing
B



Two Circuit Water Valve Housing
C



**Two Circuit Water Valve Housing
with Latch**
D



Two Circuit Housing
E

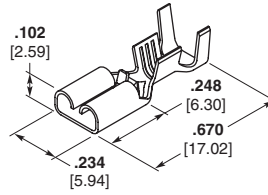
| Style | Material | UL 94 ¹ | Color ² | Part Number | Accepts | UL | SP |
|-------|----------|--------------------|--------------------|-------------------------|--|----|----|
| A | Nylon | V2 | Natural | 521120-1 | 250 Series Positive Lock Mark III Terminals. | X | X |
| B | Nylon | V0 | Natural | 521766-1 | 250 Series FASTON and Positive Lock Mark III Terminals. Examples include 63306 and 63854. | X | X |
| | | | Natural | 2-521253-1 ¹ | | — | — |
| | | | Natural | 521253-1 | | X | X |
| | | | Red | 521253-2 | | X | X |
| D | Nylon | V2 | Red | 1-521253-2 | 250 Series FASTON and Positive Lock Mark III Terminals. Examples Include 63306 and 63854 | X | X |
| | | | Red | 1-521253-2 | | X | X |
| | | | Green | 1-521253-3 | | X | X |
| | | | Blue | 1-521253-7 | | X | X |
| C | Nylon | V2 | Natural | 521119-1 | | X | X |
| E | Nylon | V0 | Natural | 521955-1 | 250 Series MK III Positive Lock Receptacles 63993, 63854, 1217092 | X | X |

Note: All part numbers are RoHS compliant.

¹ Housing material to IEC 60695-2-11 Glow Wire temps. 650°C, 750°C, & 850°C.

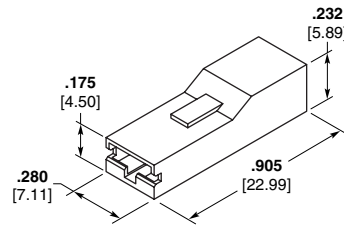
Positive Lock Receptacles (Continued)

**Mark III
187 Series Receptacles**

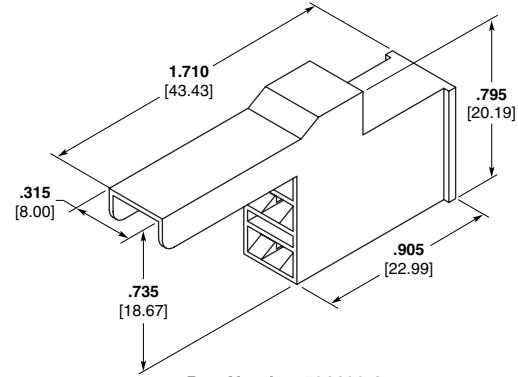


| Wire Range AWG | Insulation Dia. | Mating Tab Thickness | Material and Finish | Terminal Part No. | UL | CS | Applicator |
|-----------------|------------------------|----------------------|---------------------|-------------------|----|----|------------|
| 22-18 | .090-.130 2.29-3.30 | .020 0.51 | Tin Plated Brass | 1217113-2 | — | — | 680645-2 |
| | | .032 0.81 | Tin Plated Brass | 1217097-2 | — | — | 680645-2 |
| 18-14 | .150-.200 3.81-5.08 | .020 0.51 | Brass | 1217114-1 | — | — | 680652-2 |
| | | .020 0.51 | Tin Plated Brass | 1217114-2 | — | — | 680652-2 |
| 18-14 (2) 18 | .150-.200 3.81-5.08 | .032 0.81 | Brass | 1217096-1 | X | X | 680652-2 |

**Mark III
187 Series
Receptacle Housings**



Part Number 521187-1

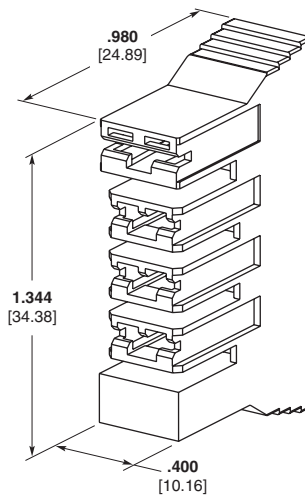


Part Number 521198-1

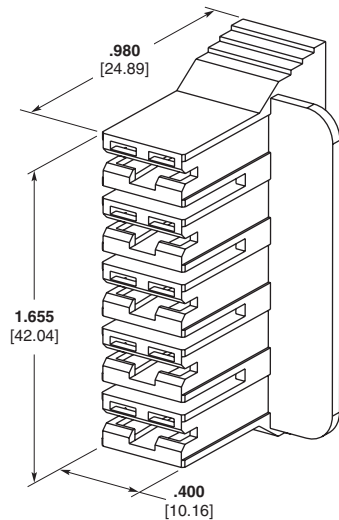
| Material | UL 94 | Color | UL | CS | Part Number |
|----------|-------|---------|----|----|-------------|
| Nylon | V2 | Natural | X | X | 521187-1 |
| Nylon | V2 | Natural | X | — | 521198-1 |

**Mark III
HVAC Motor
Receptacle Housings**

| Material | Color | UL | CS | Part Number |
|----------|---------|----|----|-------------|
| Nylon | Natural | X | X | 521780-1 |
| Nylon | Natural | X | X | 521781-1 |



Part Number 521781-1
4-Position

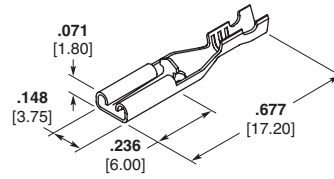


Part Number 521780-1
5-Position

Note: All part numbers are RoHS compliant.

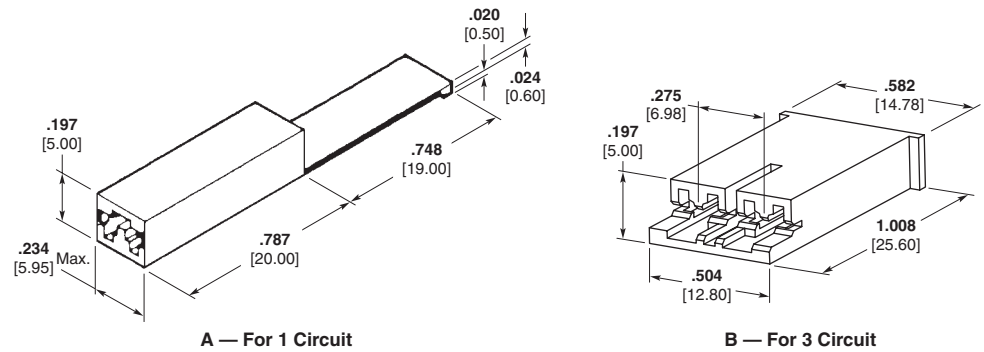
Positive Lock Receptacles (Continued)

**110 Series
Straight Receptacles**



| Wire Range AWG | Tab Fit | Insulation Diameter | Material and Finish | Stock Thickness | UL | CS | Terminal Part No. |
|-------------------|--------------|------------------------|------------------------|--------------------|----|----|----------------------|
| 24-20 | .020 0.51 | .040-.070 1.02-1.78 | Pre-Tin Brass | .010 0.25 | — | — | 175411-1 |
| 20-16 | .020 0.51 | .080-.122 2.03-3.10 | Pre-Tin Brass | .010 0.25 | — | — | 174777-1 |

**Receptacle Housing
Applicable Contact
Part Number 175411, 174777**

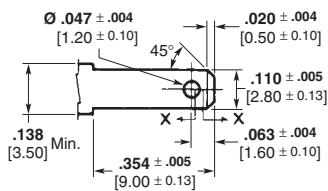


| Style | Material | UL 94 | Color | UL | CS | Part Number |
|-------|-----------|-------|---------|----|----|----------------|
| A | 6/6 Nylon | V2 | Natural | X | X | 174779-1 |
| B | 4/6 Nylon | V2 | Black | — | — | 1969227-1 |

**Tab Dimension
For Signal Circuit**

For 1 Circuit

Top View



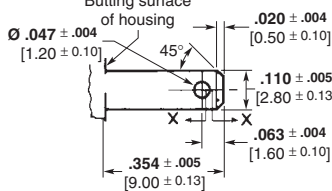
Side View



Type A

(When using tab shoulder for butting)

Top View



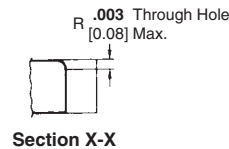
Side View



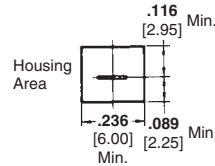
Type B

(When using resin, etc., for butting)

Sagging of the tab's hole must not exceed 0.08 mm.

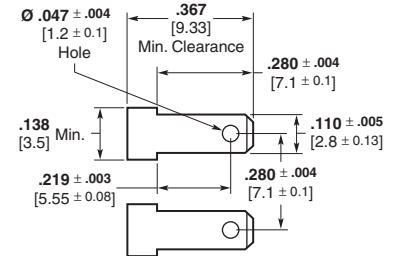


Section X-X



Housing Outline



For 2 Circuit

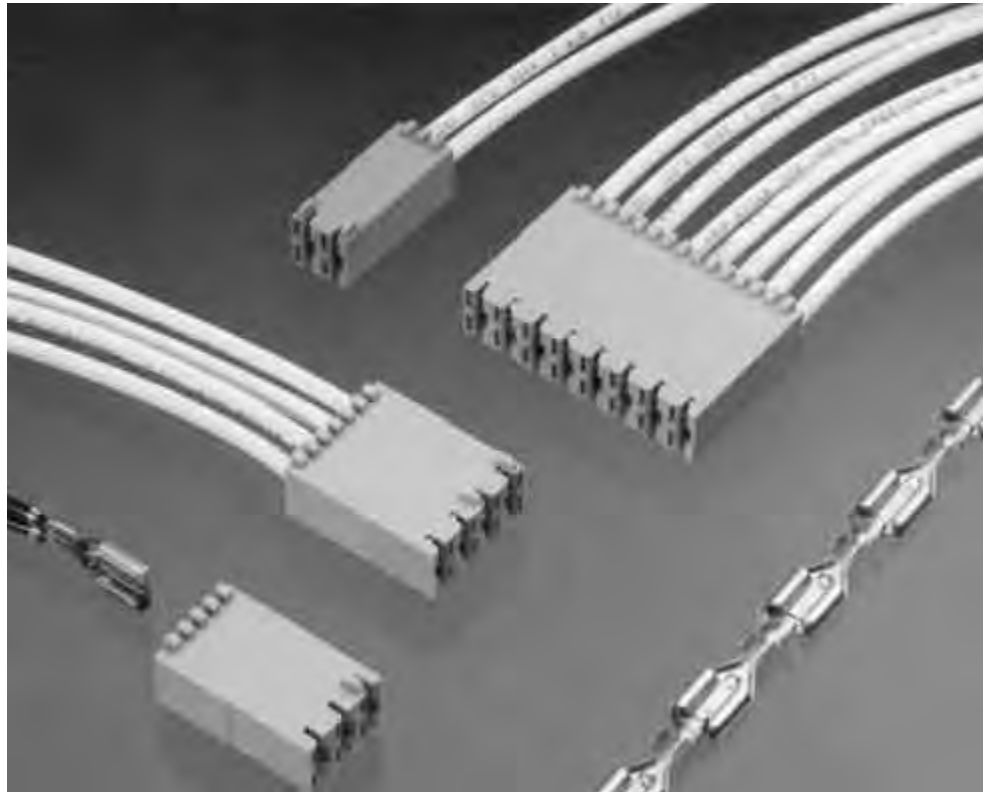


Note: All part numbers are RoHS compliant.

Positive Lock RAST 5 Connector System

Product Facts

- Mates with .250 x .032 [6.35 x 0.81] tabs built on 5 mm centerlines
- Keying and polarization features
- Utilizes Positive Lock Mark III Receptacles
- Terminals available for 22-18 AWG, 18-14 AWG single wire or 18-16 AWG double wire applications
- Plain brass and tin plated terminals available
- Recognized under the Component Program of Underwriters Laboratories Inc., File No. E28476 
- Certified by Canadian Standards Association File No. LR7189 



The Positive Lock RAST 5 connector system has been designed to mate with a control, switch or printed circuit board that has .250 x .032 [6.35 x 0.81] thick tabs built on 5 mm centerlines. This system utilizes our popular Positive Lock Mark III Receptacles and a series of housings to provide customers with a reliable solution to their wire management needs. This line of connectors offers keying and polarization features built into the housings that eliminate mismatching and crossed wires. Two through eight circuit housings facilitate improved assembly

operations and the Positive Lock Terminal provides excellent retention of the connector.

The acronym RAST 5 in the title is a reference to the European design standard for appliance wiring and component design, "Raster Anschluss Steck Technik 5 mm". This standard outlines a system of keying, polarization and latching that is popular in Europe and other parts of the world. The Positive Lock RAST 5 system has been designed to mate with many of the components built with a RAST 5 standard interface. This system is an excellent way for OEMs or their

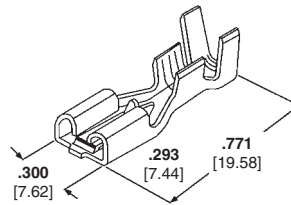
subcontractors to use existing lead makers and termination equipment to produce connectors that mate to controls with RAST interfaces.

While the origins of this product are in the appliance industry, many other industries are embracing this style of connector. Marine, exercise equipment and hand tool manufacturers are recent examples of customers beginning to use this system. Any application where .250 x .032 [6.35 x 0.81] tabs are built on 5 mm centerlines is a potential candidate for this popular connector system.

See TE catalog 296599 for additional RAST products.

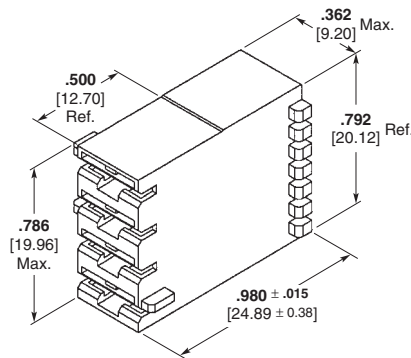
Positive Lock RAST 5 Connector System (Continued)

Mark III
250 Series Receptacles
Stock Thickness — .013 [0.33]
Tab size — .032 [0.81]

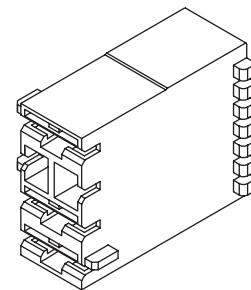


| Wire Range AWG | ID | Material and Finish | Part Number | | | Applicator No. |
|-------------------|------------------------|------------------------|-------------|---|---|-------------------|
| 22-18 | .060-.110 1.52-2.79 | Brass | 1217378-1 | X | X | 1852165-2 |
| | | Tin Plated Brass | 1217378-2 | X | X | 1852165-2 |
| 18-14 | .090-.155 2.29-3.94 | Brass | 1217094-1 | X | X | 680653-2 |
| | | Tin Plated Brass | 1217094-2 | X | X | 680653-2 |
| (2) 18 | .190 4.83 Max. | Tin Plated Brass | 1217094-2 | X | X | 680653-2 |
| 16-12 | .120-.170 3.04-4.32 | Brass | 1217095-1 | X | X | 680654-2 |
| | | Tin Plated Brass | 1217095-2 | X | X | 680654-2 |
| (2) 18 | (2) .120 3.05 Max. | Tin Plated Brass | 1217095-2 | X | X | 680654-2 |
| (2) 16 | (2) .120 3.05 Max. | Tin Plated Brass | 1217095-2 | X | X | 680654-2 |

Receptacle Housings
Material — 94 V-0, 6/6 Nylon



Standard Version



Blocked Circuit Version

| Description | | | Part Number | |
|-------------|---|---|-------------------------------|--------------------------------------|
| | | | Standard Version ⁴ | Blocked Circuit Version ⁵ |
| 2 Position | X | X | 521204 | — |
| 3 Position | X | X | 521205 | 521782 |
| 4 Position | X | X | 521206 | 521295 |
| 5 Position | X | X | 521207 | 521267 |
| 6 Position | X | X | 521208 | 521435 |
| 7 Position | X | X | 521209 | 521935 |
| 8 Position | X | X | 521210 | — |
| 9 Position | X | X | 521746 | 521936 |
| 10 Position | X | X | 521792 | 521836 |
| 11 Position | X | X | 521699 | 1969335 |

- Notes:**
1. All part numbers are RoHS compliant.
 2. Housing base part number provided.
 3. Standard colors are natural and blue.
 4. Keying patterns determined by part dash number. Refer to the customer drawing for pattern options.
 5. Blocking patterns determined by part dash number. Refer to the customer drawing for pattern options.

Note: All part numbers are RoHS compliant.

Данный компонент на территории Российской Федерации

Вы можете приобрести в компании MosChip.

Для оперативного оформления запроса Вам необходимо перейти по данной ссылке:

<http://moschip.ru/get-element>

Вы можете разместить у нас заказ для любого Вашего проекта, будь то серийное производство или разработка единичного прибора.

В нашем ассортименте представлены ведущие мировые производители активных и пассивных электронных компонентов.

Нашей специализацией является поставка электронной компонентной базы двойного назначения, продукции таких производителей как XILINX, Intel (ex.ALTERA), Vicor, Microchip, Texas Instruments, Analog Devices, Mini-Circuits, Amphenol, Glenair.

Сотрудничество с глобальными дистрибьюторами электронных компонентов, предоставляет возможность заказывать и получать с международных складов практически любой перечень компонентов в оптимальные для Вас сроки.

На всех этапах разработки и производства наши партнеры могут получить квалифицированную поддержку опытных инженеров.

Система менеджмента качества компании отвечает требованиям в соответствии с ГОСТ Р ИСО 9001, ГОСТ РВ 0015-002 и ЭС РД 009

Офис по работе с юридическими лицами:

105318, г.Москва, ул.Щербаковская д.3, офис 1107, 1118, ДЦ «Щербаковский»

Телефон: +7 495 668-12-70 (многоканальный)

Факс: +7 495 668-12-70 (доб.304)

E-mail: info@moschip.ru

Skype отдела продаж:

moschip.ru

moschip.ru_4

moschip.ru_6

moschip.ru_9