

JR SERIES SHELL SIZE 13-25 ALUMINUM CONNECTORS

Scope

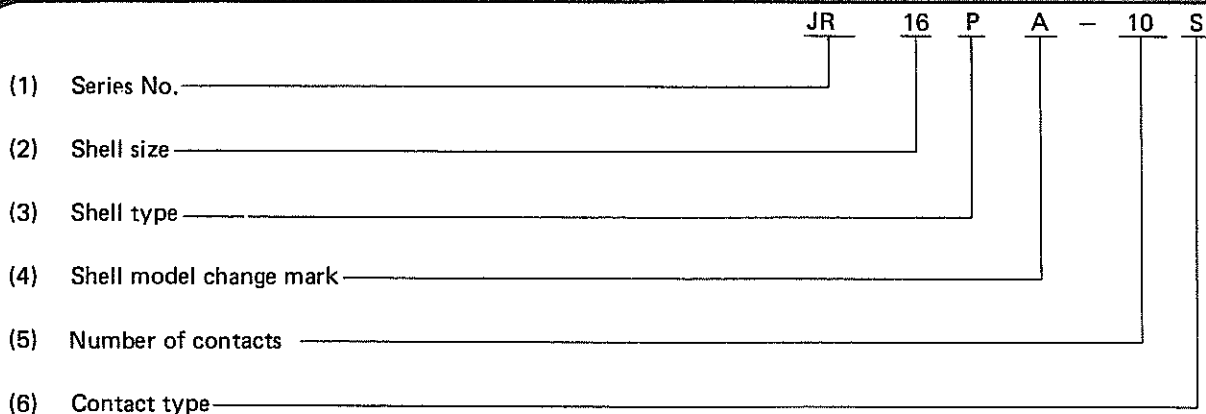
There is a Japanese standard titled JIS C 5432: "Electronic Equipment Round Type Connectors." JIS C 5432 is especially aiming at future standardization of new connectors. JR series connectors are designed to meet this specification. JR series connectors offer excellent performance

both electrically and mechanically. They have five keys in the fitting section to assure smooth coupling. A waterproof type is available. Contact arrangement performance of the pins is shown on page 160.

Material and Finish

| Part name | Material | Finish |
|----------------|----------------|---------------|
| Shell | Aluminum alloy | Nickel plated |
| Insulator | Synthetic | |
| Pin contact | Copper alloy | Silver plated |
| Socket contact | Copper alloy | Silver plated |

Ordering Information



(1) Series No.: JR stands for JIS Round Connector

(2) Shell size: The shell size is 13, 16, 21, and 25

(3) Shell type:

- P: Plug
- J: Jack
- R: Receptacle
- RC: Receptacle Cap
- BP: Bayonet Lock Type Plug
- BR: Bayonet Lock Type Receptacle
- WP: Waterproof Type Plug
- WR: Waterproof Type Receptacle

(4) Shell model change mark:

Any change of shell configuration involves a new symbol mark A, B, D, E, and so on. C, J, P, and R, which are used for other connectors, are not used.

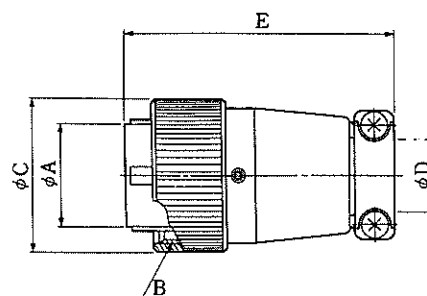
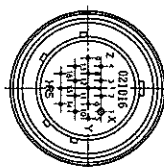
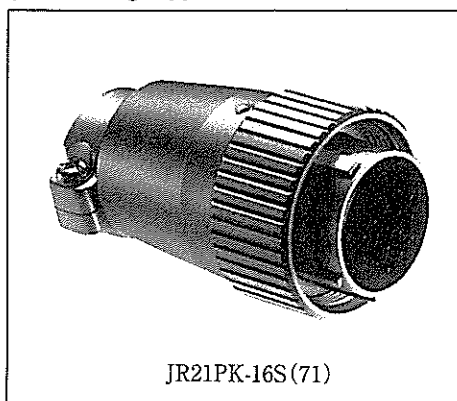
(5) Number of contacts

(6) Contact type:

- P: Pin contact
- PC: Crimp Pin Contact
- S: Socket contact
- SC: Crimp Socket Contact

Plug

(Soldering Type)



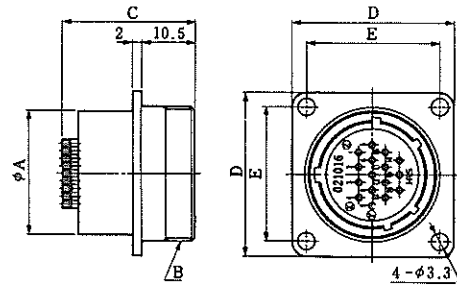
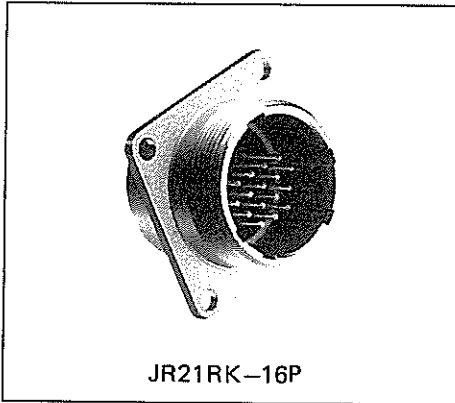
(An example in shape)

| HRS No. | Part No. | No. of pins | ϕA | B | ϕC | ϕD | E | JIS No. | RoHS |
|---------------|----------------|-------------|----------|-------|----------|----------|------|----------------|------|
| 114-0501-7-71 | JR13PK-3P(71) | 3 | 12.7 | M18×1 | 21.8 | 8.5 | 45.5 | CNR01SPM013003 | ○ |
| 114-0502-0-71 | JR13PK-5P(71) | 5 | 12.7 | M18×1 | 21.8 | 8.5 | 45.5 | CNR01SPM013005 | |
| 114-0503-2-71 | JR16PK-7P(71) | 7 | 16.3 | M22×1 | 25.8 | 11.5 | 49.5 | CNR01SPM016007 | |
| 114-0504-5-71 | JR16PK-10P(71) | 10 | 16.3 | M22×1 | 25.8 | 11.5 | 49.5 | CNR01SPM016010 | |
| 114-0505-8-71 | JR21PK-10P(71) | 10 | 20.5 | M26×1 | 29.8 | 15 | 53.5 | CNR01SPM021010 | |
| 114-0506-0-71 | JR21PK-16P(71) | 16 | 20.5 | M26×1 | 29.8 | 15 | 53.5 | CNR01SPM021016 | |
| 114-0507-3-71 | JR25PK-16P(71) | 16 | 24.7 | M30×1 | 33.8 | 18 | 56.5 | CNR01SPM025016 | |
| 114-0508-6-71 | JR25PK-24P(71) | 24 | 24.7 | M30×1 | 33.8 | 18 | 56.5 | CNR01SPM025024 | |
| 114-0552-8-71 | JR25PK-4P(71) | 4 | 24.7 | M30×1 | 33.8 | 18 | 56.5 | _____ | |
| 114-0554-3-71 | JR25PK-5P(71) | 5 | 24.7 | M30×1 | 33.8 | 18 | 56.5 | _____ | |
| 114-0556-9-71 | JR25PK-8P(71) | 8 | 24.7 | M30×1 | 33.8 | 18 | 56.5 | _____ | |

| HRS No. | Part No. | No. of pins | ϕA | B | ϕC | ϕD | E | JIS No. | RoHS |
|---------------|----------------|-------------|----------|-------|----------|----------|------|----------------|------|
| 114-0509-9-71 | JR13PK-3S(71) | 3 | 12.7 | M18×1 | 21.8 | 8.5 | 45.5 | CNR01SPF013003 | ○ |
| 114-0510-8-71 | JR13PK-5S(71) | 5 | 12.7 | M18×1 | 21.8 | 8.5 | 45.5 | CNR01SPF013005 | |
| 114-0511-0-71 | JR16PK-7S(71) | 7 | 16.3 | M22×1 | 25.8 | 11.5 | 49.5 | CNR01SPF016007 | |
| 114-0512-3-71 | JR16PK-10S(71) | 10 | 16.3 | M22×1 | 25.8 | 11.5 | 49.5 | CNR01SPF016010 | |
| 114-0513-6-71 | JR21PK-10S(71) | 10 | 20.5 | M26×1 | 29.8 | 15 | 53.5 | CNR01SPF021010 | |
| 114-0514-9-71 | JR21PK-16S(71) | 16 | 20.5 | M26×1 | 29.8 | 15 | 53.5 | CNR01SPF021016 | |
| 114-0515-1-71 | JR25PK-16S(71) | 16 | 24.7 | M30×1 | 33.8 | 18 | 56.5 | CNR01SPF025016 | |
| 114-0516-4-71 | JR25PK-24S(71) | 24 | 24.7 | M30×1 | 33.8 | 18 | 56.5 | CNR01SPF025024 | |
| 114-0553-0-71 | JR25PK-4S(71) | 4 | 24.7 | M30×1 | 33.8 | 18 | 56.5 | _____ | |
| 114-0555-6-71 | JR25PK-5S(71) | 5 | 24.7 | M30×1 | 33.8 | 18 | 56.5 | _____ | |
| 114-0557-1-71 | JR25PK-8S(71) | 8 | 24.7 | M30×1 | 33.8 | 18 | 56.5 | _____ | |

Note: Fasten a screw by means of torque wrench at 3.5~4.5kg·cm

Receptacle

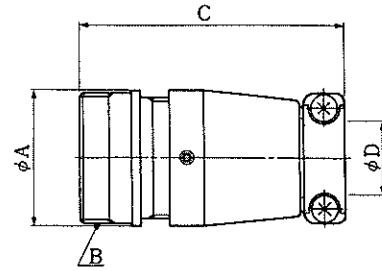
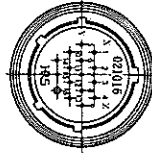
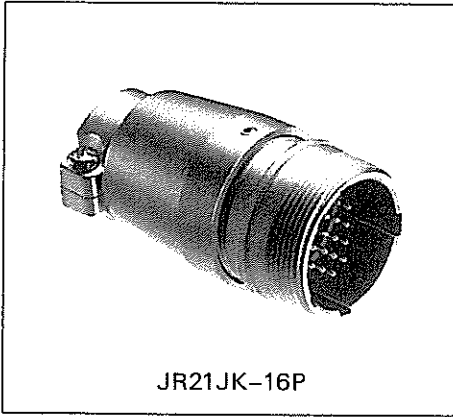


(An example in shape)

| HRS No. | Part No. | No. of pins | ϕA | B | C | D | E | JIS No. | RoHS |
|---------------|----------------|-------------|----------|-------|------|----|----|----------------|------|
| 114-0517-7 | JR13RK-3P | 3 | 15.9 | M18×1 | 26.6 | 26 | 20 | CNR01SRM013003 | ○ |
| 114-0518-0 | JR13RK-5P | 5 | 15.9 | M18×1 | 26.1 | 26 | 20 | CNR01SRM013005 | |
| 114-0519-2 | JR16RK-7P | 7 | 19.9 | M22×1 | 26.6 | 29 | 23 | CNR01SRM016007 | |
| 114-0520-1 | JR16RK-10P | 10 | 19.9 | M22×1 | 26.1 | 29 | 23 | CNR01SRM016010 | |
| 114-0521-4 | JR21RK-10P | 10 | 23.9 | M26×1 | 26.6 | 32 | 26 | CNR01SRM021010 | |
| 114-0522-7 | JR21RK-16P | 16 | 23.9 | M26×1 | 26.1 | 32 | 26 | CNR01SRM021016 | |
| 114-0523-0 | JR25RK-16P | 16 | 27.9 | M30×1 | 26.6 | 35 | 29 | CNR01SRM025016 | |
| 114-0524-2 | JR25RK-24P | 24 | 27.9 | M30×1 | 26.1 | 35 | 29 | CNR01SRM025024 | |
| 114-0558-4-71 | JR25RK-4P (71) | 4 | 27.9 | M30×1 | 28 | 35 | 29 | _____ | |
| 114-0560-6-71 | JR25RK-5P (71) | 5 | 27.9 | M30×1 | 26.6 | 35 | 29 | _____ | |
| 114-0562-1-71 | JR25RK-8P (71) | 8 | 27.9 | M30×1 | 26.6 | 35 | 29 | _____ | |

| HRS No. | Part No. | No. of pins | ϕA | B | C | D | E | JIS No. | RoHS |
|------------|------------|-------------|----------|-------|------|----|----|----------------|------|
| 114-0525-5 | JR13RK-3S | 3 | 15.9 | M18×1 | 28 | 26 | 20 | CNR01SRF013003 | ○ |
| 114-0526-8 | JR13RK-5S | 5 | 15.9 | M18×1 | 27 | 26 | 20 | CNR01SRF013005 | |
| 114-0527-0 | JR16RK-7S | 7 | 19.9 | M22×1 | 28 | 29 | 23 | CNR01SRF016007 | |
| 114-0528-3 | JR16RK-10S | 10 | 19.9 | M22×1 | 27 | 29 | 23 | CNR01SRF016010 | |
| 114-0529-6 | JR21RK-10S | 10 | 23.9 | M26×1 | 28 | 32 | 26 | CNR01SRF021010 | |
| 114-0530-5 | JR21RK-16S | 16 | 23.9 | M26×1 | 27 | 32 | 26 | CNR01SRF021016 | |
| 114-0531-8 | JR25RK-16S | 16 | 27.9 | M30×1 | 28 | 35 | 29 | CNR01SRF025016 | |
| 114-0532-0 | JR25RK-24S | 24 | 27.9 | M30×1 | 27 | 35 | 29 | CNR01SRF025024 | |
| 114-0559-7 | JR25RK-4S | 4 | 27.9 | M30×1 | 28 | 35 | 29 | _____ | |
| 114-0561-9 | JR25RK-5S | 5 | 27.9 | M30×1 | 27.8 | 35 | 29 | _____ | |
| 114-0563-4 | JR25RK-8S | 8 | 27.9 | M30×1 | 27.8 | 35 | 29 | _____ | |

Jack



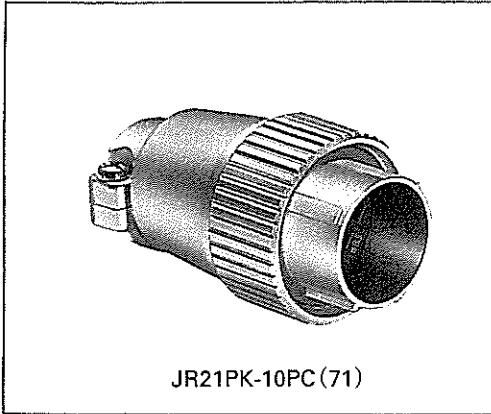
(An example in shape)

| HRS No. | Part No. | No. of pins | ϕA | B | C | ϕD | RoHS |
|---------------|---------------|-------------|----------|-------|------|----------|------|
| 114-0533-3 | JR13JK-3P | 3 | 19 | M18×1 | 44.5 | 8.5 | ○ |
| 114-0534-6 | JR13JK-5P | 5 | 19 | M18×1 | 44.5 | 8.5 | |
| 114-0535-9 | JR16JK-7P | 7 | 23 | M22×1 | 48.5 | 11.5 | |
| 114-0536-1 | JR16JK-10P | 10 | 23 | M22×1 | 48.5 | 11.5 | |
| 114-0537-4 | JR21JK-10P | 10 | 27 | M26×1 | 52.5 | 15 | |
| 114-0538-7 | JR21JK-16P | 16 | 27 | M26×1 | 52.5 | 15 | |
| 114-0564-7-71 | JR25JK-4P(71) | 4 | 31 | M30×1 | 55.5 | 18 | |
| 114-0539-0 | JR25JK-16P | 16 | 31 | M30×1 | 55.5 | 18 | |
| 114-0540-9 | JR25JK-24P | 24 | 31 | M30×1 | 55.5 | 18 | |

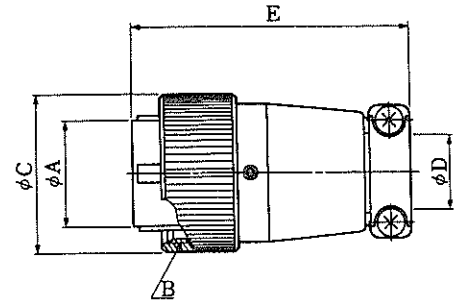
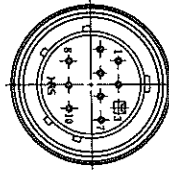
| HRS No. | Part No. | No. of pins | ϕA | B | C | ϕD | RoHS |
|------------|------------|-------------|----------|-------|------|----------|------|
| 114-0541-1 | JR13JK-3S | 3 | 19 | M18×1 | 44.5 | 8.5 | ○ |
| 114-0542-4 | JR13JK-5S | 5 | 19 | M18×1 | 44.5 | 8.5 | |
| 114-0543-7 | JR16JK-7S | 7 | 23 | M22×1 | 48.5 | 11.5 | |
| 114-0544-0 | JR16JK-10S | 10 | 23 | M22×1 | 48.5 | 11.5 | |
| 114-0545-2 | JR21JK-10S | 10 | 27 | M26×1 | 52.5 | 15 | |
| 114-0546-5 | JR21JK-16S | 16 | 27 | M26×1 | 52.5 | 15 | |
| 114-0565-0 | JR25JK-4S | 4 | 31 | M30×1 | 55.5 | 18 | |
| 114-0548-0 | JR25JK-24S | 24 | 31 | M30×1 | 55.5 | 18 | |

Remark: Fasten a screw by means of torque wrench at 3.5~4.5kg-cm.

Plug (Crimp Type)



JR21PK-10PC (71)

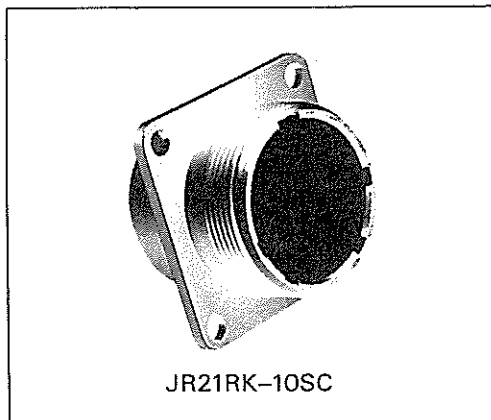


(An example in shape)

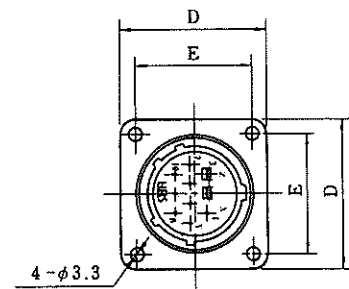
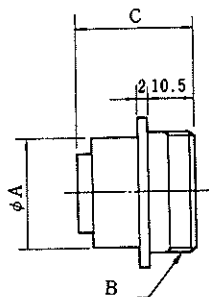
| HRS No. | Part No. | No. of pins | ϕA | B | ϕC | ϕD | E | Remarks | RoHS No. |
|---------------|------------------|-------------|----------|-------|----------|----------|------|--------------------|----------|
| 114-0570-0-71 | JR21PK-10PC (71) | 10 | 20.5 | M26×1 | 29.8 | 15 | 53.5 | Contact ϕ 1.6 | ○ |
| 114-0571-2-71 | JR21PK-10SC (71) | 10 | 20.5 | M26×1 | 29.8 | 15 | 53.5 | Contact ϕ 1.6 | |
| 114-0572-5-71 | JR21PK-16PC (71) | 16 | 20.5 | M26×1 | 29.8 | 15 | 53.5 | Contact ϕ 1 | |
| 114-0573-8-71 | JR21PK-16SC (71) | 16 | 20.5 | M26×1 | 29.8 | 15 | 53.5 | Contact ϕ 1 | |
| 114-0574-0-71 | JR25PK-24PC (71) | 24 | 24.7 | M30×1 | 33.8 | 18 | 56.5 | Contact ϕ 1 | |
| 114-0575-3-71 | JR25PK-24SC (71) | 24 | 24.7 | M30×1 | 33.8 | 18 | 56.5 | Contact ϕ 1 | |

Note: Fasten a screw by means of torque wrench at 3.5~4.5kg·cm

Receptacle



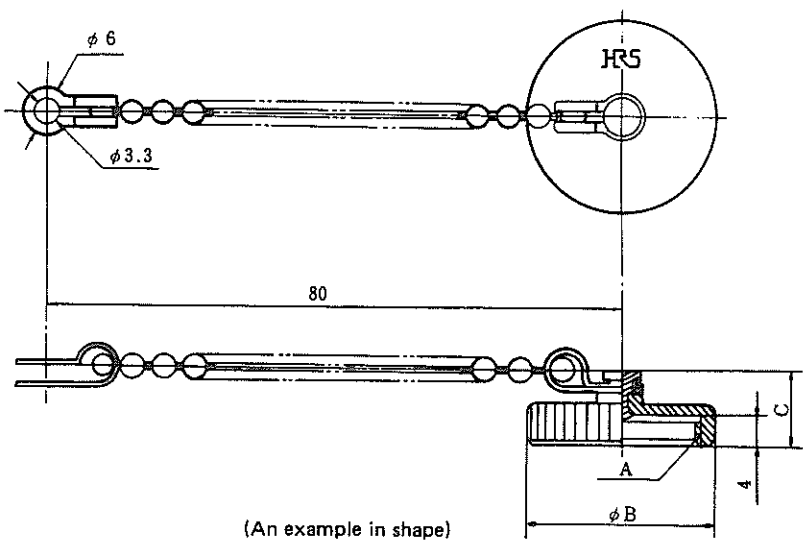
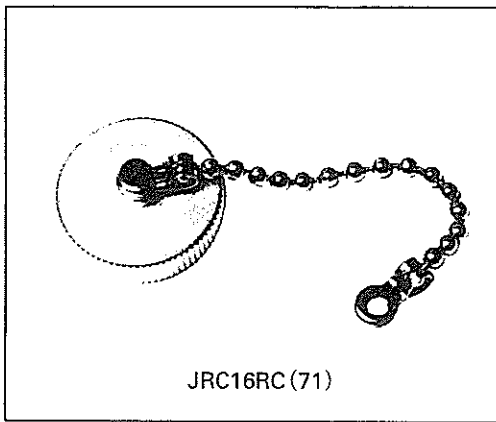
JR21RK-10SC



(An example in shape)

| HRS No. | Part No. | No. of pins | ϕA | B | C | D | E | Remarks | RoHS No. |
|------------|-------------|-------------|----------|-------|------|----|----|--------------------|----------|
| 114-0577-9 | JR21RK-10SC | 10 | 23.9 | M26×1 | 27.6 | 32 | 26 | Contact ϕ 1.6 | ○ |
| 114-0578-1 | JR21RK-16PC | 16 | 23.9 | M26×1 | 25.4 | 32 | 26 | Contact ϕ 1 | |
| 114-0579-4 | JR21RK-16SC | 16 | 23.9 | M26×1 | 23 | 32 | 26 | Contact ϕ 1 | |
| 114-0581-6 | JR25RK-24SC | 24 | 27.9 | M30×1 | 23 | 35 | 29 | Contact ϕ 1 | |

Cap for Receptacle

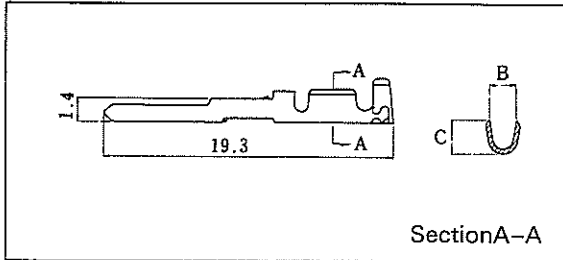


| HRS No. | Part No. | A | ϕB | C | JIS No. | RoHS |
|---------------|-------------|-------|----------|----|------------|------|
| 114-0053-8-71 | JRC13RC(71) | M18×1 | 21 | 10 | CNR01RC013 | ○ |
| 114-0054-0-71 | JRC16RC(71) | M22×1 | 25 | 10 | CNR01RC016 | |
| 114-0055-3-71 | JRC21RC(71) | M26×1 | 29 | 10 | CNR01RC021 | |
| 114-0056-6-71 | JRC25RC(71) | M30×1 | 33 | 10 | CNR01RC025 | |

Contact

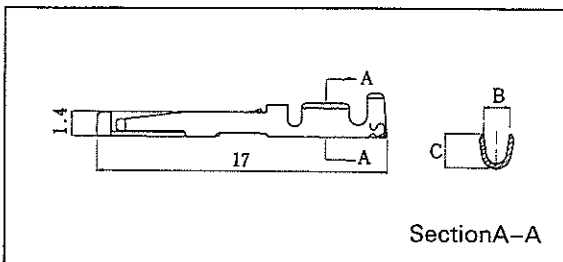
Contact diameter $\phi 1.0$ mm

Male Pin



| Type | HRS No. | Part No. | B | C | Applicable wire | RoHS |
|-------|------------|-------------|------|-----|-----------------|------|
| Bulk | 114-0243-3 | JRC-PC2-112 | 1.6 | 2.0 | AWG # 20~ # 24 | ○ |
| | 114-0244-6 | JRC-PC2-122 | 1.45 | 1.5 | AWG # 24~ # 28 | |
| Chain | 114-0245-9 | JRC-PC2-212 | 1.6 | 2.0 | AWG # 20~ # 24 | |
| | 114-0246-1 | JRC-PC2-222 | 1.45 | 1.5 | AWG # 24~ # 28 | |

Female Pin

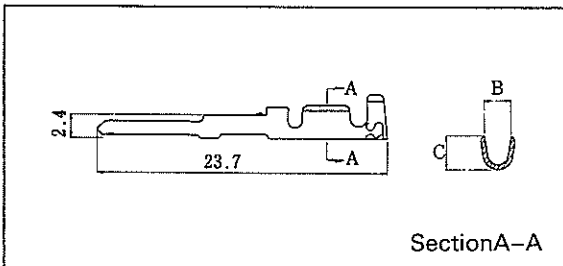


| Type | HRS No. | Part No. | B | C | Applicable wire | RoHS |
|-------|------------|-------------|------|-----|-----------------|------|
| Bulk | 114-0247-4 | JRC-SC2-112 | 1.6 | 2.0 | AWG # 20~ # 24 | ○ |
| | 114-0248-7 | JRC-SC2-122 | 1.45 | 1.5 | AWG # 24~ # 28 | |
| Chain | 114-0249-0 | JRC-SC2-212 | 1.6 | 2.0 | AWG # 20~ # 24 | |
| | 114-0250-9 | JRC-SC2-222 | 1.45 | 1.5 | AWG # 24~ # 28 | |

Note: Bulk in bags of 100 pcs. chain or reels of 8,000 pcs.

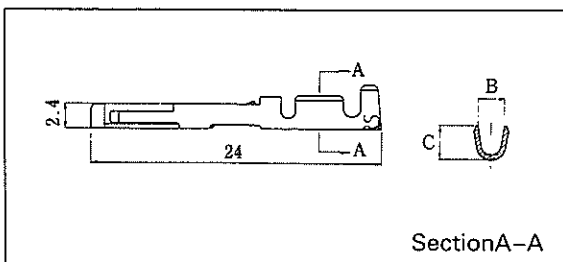
Contact diameter $\phi 1.6$ mm

Male Pin



| Type | HRS No. | Part No. | B | C | Applicable wire | RoHS |
|-------|------------|------------|-----|-----|-----------------|------|
| Bulk | 114-0239-6 | JRC-PC-112 | 2.3 | 2.9 | AWG # 16~ # 20 | ○ |
| Chain | 114-0240-5 | JRC-PC-212 | 2.3 | 2.9 | AWG # 16~ # 20 | |

Female Pin

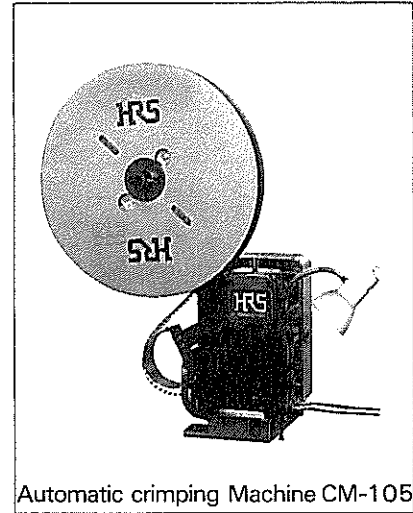


| Type | HRS No. | Part No. | B | C | Applicable wire | RoHS |
|-------|------------|------------|-----|-----|-----------------|------|
| Bulk | 114-0241-8 | JRC-SC-112 | 2.3 | 2.9 | AWG # 16~ # 20 | ○ |
| Chain | 114-0242-0 | JRC-SC-212 | 2.3 | 2.9 | AWG # 16~ # 20 | |

Note: Bulk in bags of 100 pcs. chain or reels of 8,000 pcs.

Tools

| Contact diameter | Type | Item | HRS No. | Part No. | Applicable terminal | Applicable wire |
|--|-----------|---------------------------------|----------------------------|----------------|----------------------------|-----------------|
| φ 1 | Manual | Manual crimping tool | 150-0006-1 | RM-TC-11 | JRC-PC2-112 JRC-SC2-112 | AWG # 20~ # 24 |
| | | | 150-0007-4 | RM-TC-12 | JRC-PC2-122 JRC-SC2-122 | AWG # 24~ # 28 |
| | Automatic | Automatic crimping machine body | 901-0005-4 | CM-105 | — | — |
| | | | — | AP105-JRC2-1 | JRC-PC2-212 JRC-SC2-212 | AWG # 20~ # 24 |
| | — | AP105-JRC2-2 | JRC-PC2-222 JRC-SC2-222 | AWG # 24~ # 28 | | |
| Extractor | | 150-0008-7 | RM-TP | — | — | |
| φ 1.6 | Manual | Manual crimping tool | 150-0033-4 | JRC-TC-11 | JRC-PC-112 JRC-SC-112 | AWG # 16 |
| | | | 150-0034-7 | JRC-TC-12 | JRC-PC-112 JRC-SC-112 | AWG # 18~ # 20 |
| | Automatic | Automatic crimping machine body | 901-0005-4 | CM-105 | — | — |
| | | | — | AP105-JRC-1 | JRC-PC-212 | AWG # 16~ # 20 |
| | Extractor | | 150-0035-0 | JRC-TP | — | — |
| Hexagon bar wrench (opposing side-to-side distance 1.27) | | | 150-0066-3 | PB205/1.27 | — | — |



Hand Tool Crimp



For Contact Diameter φ 1.0 mm

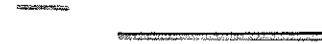


For Contact Diameter φ 1.6 mm

Extraction Tool



For Contact Diameter φ 1.0 mm



For Contact Diameter φ 1.6 mm

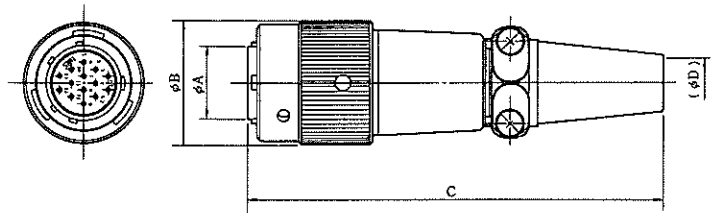
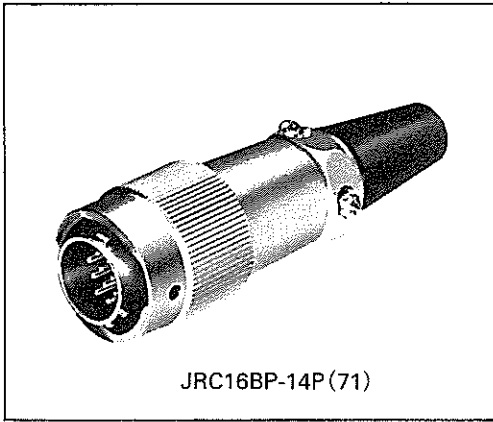
Hexagon Wrench Driver (1.27)



(PB 205/1.27)

| HRS No. | Part No. |
|------------|------------|
| 150-0066-3 | PB205-1.27 |

Bayonet Lock Type Plug (Solder Type)



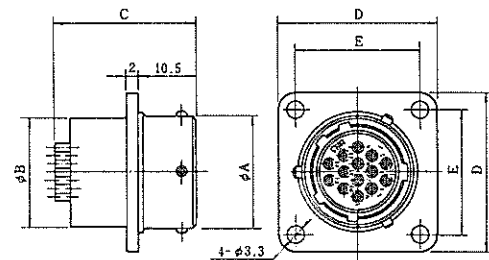
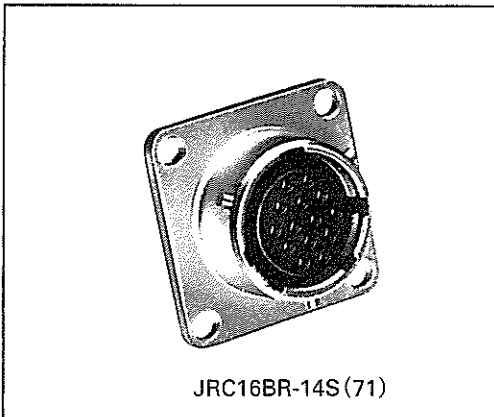
(An example in shape)

| HRS No. | Part No. | No. of pins | φA | φB | C | φD | RoHS No. |
|---------------|------------------|-------------|------|----|----|------|----------|
| 114-0253-7-71 | JRC16BP-7P(71) | 7 | 16.3 | 27 | 91 | 11.2 | ○ |
| 114-0252-4-71 | JRC16BP-10P(71) | 10 | 16.3 | 27 | 91 | 11.2 | |
| 114-0251-1-71 | JRC16BP-14P(71) | 14 | 16.3 | 27 | 91 | 11.2 | |
| 114-0268-4-71 | JRC21BPA-26P(71) | 26 | 20.5 | 31 | 98 | 12.2 | |

| HRS No. | Part No. | No. of pins | φA | φB | C | φD | RoHS No. |
|---------------|-----------------|-------------|------|----|----|------|----------|
| 114-0256-5-71 | JRC16BP-7S(71) | 7 | 16.3 | 27 | 91 | 11.2 | ○ |
| 114-0255-2-71 | JRC16BP-10S(71) | 10 | 16.3 | 27 | 91 | 11.2 | |
| 114-0254-0-71 | JRC16BP-14S(71) | 14 | 16.3 | 27 | 91 | 11.2 | |
| 114-0267-1-71 | JRC21BP-26S(71) | 26 | 20.3 | 31 | 98 | 12.2 | |

Remark: Fasten a screw by means of torque wrench at 3.5~4.5kg-cm.

Bayonet Lock Type Receptacle

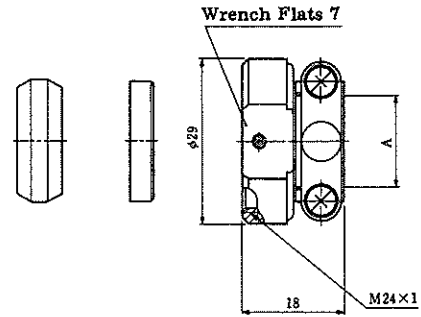


(An example in shape)

| HRS No. | Part No. | No. of pins | φA | φB | C | D | E | RoHS No. |
|---------------|-----------------|-------------|------|------|------|----|----|----------|
| 114-0259-3-71 | JRC16BR-7P(71) | 7 | 20.5 | 19.9 | 26.5 | 29 | 23 | ○ |
| 114-0258-0-71 | JRC16BR-10P(71) | 10 | 20.5 | 19.9 | 26.5 | 29 | 23 | |
| 114-0257-8-71 | JRC16BR-14P(71) | 14 | 20.5 | 19.9 | 26.6 | 29 | 23 | |
| 114-0269-7-71 | JRC21BR-26P(71) | 26 | 25.8 | 23.9 | 26.8 | 32 | 26 | |

| HRS No. | Part No. | No. of pins | φA | φB | C | D | E | RoHS No. |
|---------------|-----------------|-------------|------|------|------|----|----|----------|
| 114-0262-8-71 | JRC16BR-7S(71) | 7 | 20.5 | 19.9 | 27.7 | 29 | 23 | ○ |
| 114-0261-5-71 | JRC16BR-10S(71) | 10 | 20.5 | 19.9 | 26.5 | 29 | 23 | |
| 114-0260-2-71 | JRC16BR-14S(71) | 14 | 20.5 | 19.9 | 25.8 | 29 | 23 | |
| 114-0270-6 | JRC21BRA-26S | 26 | 25.8 | 23.9 | 28 | 32 | 26 | |

Cable Clamp (Waterproof type)



Remark: The clamp locking screw should be tightened with a torque of 0.3 to 0.4 N-m (3.5 to 4.5 kg-cm).

| HRS No. | Part No. | A | HRS No. | Part No. | A |
|------------|---------------|----|------------|---------------|----|
| 114-1046-8 | JRC25WPG-CP8 | 8 | 114-1048-3 | JRC25WPG-CP12 | 12 |
| 114-1047-0 | JRC25WPG-CP10 | 10 | 114-1049-6 | JRC25WPG-CP14 | 14 |
| | | | 114-1050-5 | JRC25WPG-CP16 | 16 |

- Note 1) JR Waterproof type is modified from current JR series. Electrical specifications are same as current JR series.
- 2) Sealing capability: Submersible at 1.8 m depth for 48 hours. Watertight coupling (Cable clamp) between the plug and the cable is dependent upon how the outer jacket of the cables fits in the sealing bushing. It is required, therefore, to select the most suitable cable clamp that meets the cable diameter when ordering connectors. Refer to A above for cable diameter.

JR Series Contact Arrangement

| Shell size | | | |
|------------|-----------------------|------------------|------------------|
| 13 | | | |
| | No. of pins | 3 | 5 |
| | Withstanding voltage | AC1000V a minute | AC1000V a minute |
| | Current rating | 10A | 5A |
| | Insulation resistance | 1000MΩ MIN. | 1000MΩ MIN. |
| | Contact resistance | 5mΩ MAX. | 5mΩ MAX. |
| | Solder cup dia. | 1.7φ | 1.1φ |

| Shell size | | | | |
|------------|-----------------------|------------------|------------------|------------------|
| 16 | | | | |
| | No. of pins | 7 | 10 | 14 |
| | Withstanding voltage | AC1000V a minute | AC1000V a minute | AC1000V a minute |
| | Current rating | 10A | 5A | 5A |
| | Insulation resistance | 1000MΩ MIN. | 1000MΩ MIN. | 1000MΩ MIN. |
| | Contact resistance | 5mΩ MAX. | 5mΩ MAX. | 5mΩ MAX. |
| | Solder cup dia. | 1.7φ | 1.1φ | 1.1φ |

| Shell size | | | | | |
|------------|-----------------------|------------------|-----------------------|-------------------|------------------|
| 21 | | | | | |
| | No. of pins | 10 | 16 | 26 | |
| | Withstanding voltage | AC1000V a minute | AC1000V a minute | AC 1000V a minute | |
| | Current rating | 10A | 5A (CRIMP 3A) | 5A | 10A (only A, B) |
| | Insulation resistance | 1000MΩ MIN. | 1000MΩ MIN. | 1000MΩ MIN. | |
| | Contact resistance | 5mΩ MAX. | 5mΩ MAX. (CRIMP 10mΩ) | 5mΩ MAX. | |
| | Solder cup dia. | 1.7φ | 1.1φ | 1.1φ | 1.7φ (only A, B) |

| Shell size | | | | | | |
|------------|-----------------------|------------------|------------------|------------------|------------------|-----------------------|
| 25 | | | | | | |
| | No. of pins | 4 | 5 | 8 | 16 | 24 |
| | Withstanding voltage | AC3000V a minute | AC3000V a minute | AC3000V a minute | AC1000V a minute | AC1000V a minute |
| | Current rating | 30A | 10A | 10A | 10A | 5A (CRIMP 3A) |
| | Insulation resistance | 10,000MΩ MIN. | 10,000MΩ MIN. | 10,000MΩ MIN. | 1000MΩ MIN. | 1000MΩ MIN. |
| | Contact resistance | 5mΩ MAX. | 5mΩ MAX. | 5mΩ MAX. | 5mΩ MAX. | 5mΩ MAX. (CRIMP 10mΩ) |
| | Solder cup dia. | 3.4φ | 1.7φ | 1.7φ | 1.7φ | 1.1φ |

Remarks: 1. View direction: Mating surface of pin insert.
 2. The withstand voltage is the test value.

Данный компонент на территории Российской Федерации

Вы можете приобрести в компании MosChip.

Для оперативного оформления запроса Вам необходимо перейти по данной ссылке:

<http://moschip.ru/get-element>

Вы можете разместить у нас заказ для любого Вашего проекта, будь то серийное производство или разработка единичного прибора.

В нашем ассортименте представлены ведущие мировые производители активных и пассивных электронных компонентов.

Нашей специализацией является поставка электронной компонентной базы двойного назначения, продукции таких производителей как XILINX, Intel (ex.ALTERA), Vicor, Microchip, Texas Instruments, Analog Devices, Mini-Circuits, Amphenol, Glenair.

Сотрудничество с глобальными дистрибьюторами электронных компонентов, предоставляет возможность заказывать и получать с международных складов практически любой перечень компонентов в оптимальные для Вас сроки.

На всех этапах разработки и производства наши партнеры могут получить квалифицированную поддержку опытных инженеров.

Система менеджмента качества компании отвечает требованиям в соответствии с ГОСТ Р ИСО 9001, ГОСТ РВ 0015-002 и ЭС РД 009

Офис по работе с юридическими лицами:

105318, г.Москва, ул.Щербаковская д.3, офис 1107, 1118, ДЦ «Щербаковский»

Телефон: +7 495 668-12-70 (многоканальный)

Факс: +7 495 668-12-70 (доб.304)

E-mail: info@moschip.ru

Skype отдела продаж:

moschip.ru

moschip.ru_4

moschip.ru_6

moschip.ru_9